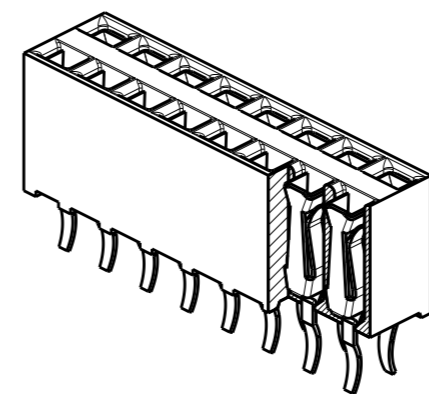
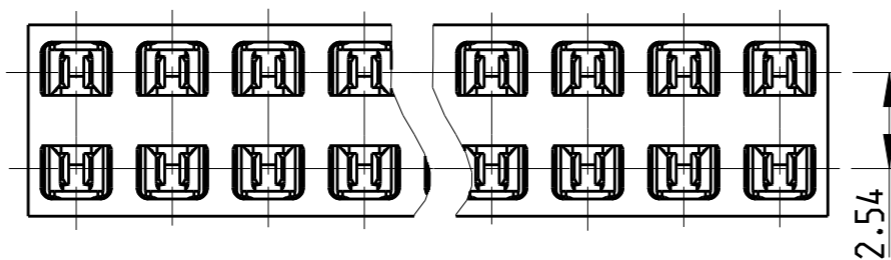
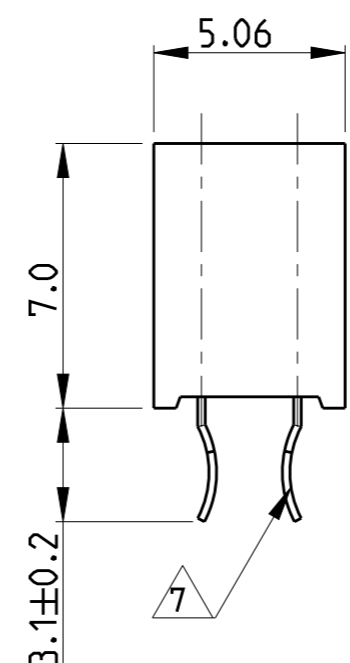
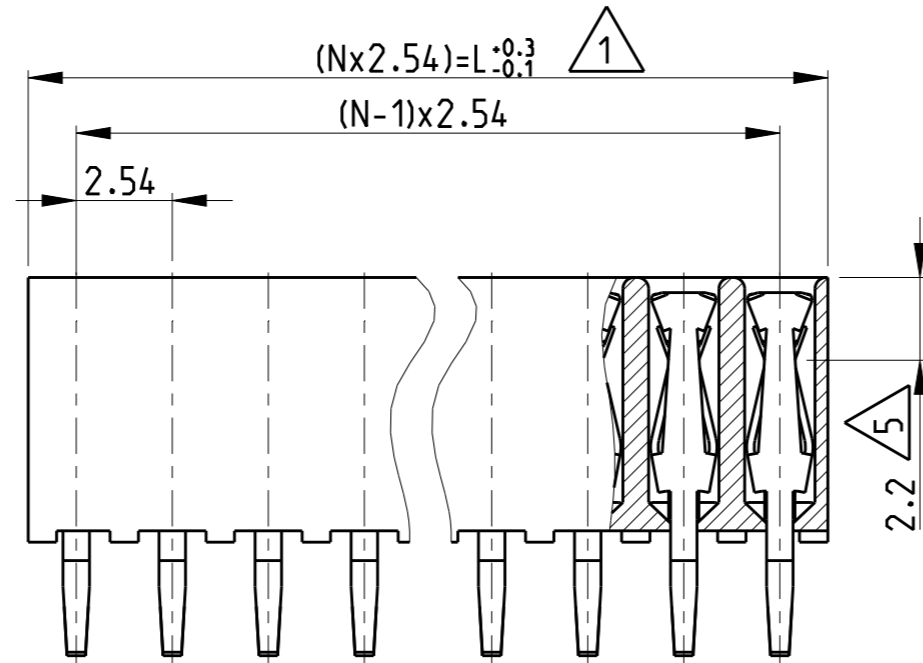


© 2019 TE Connectivity. All Rights Reserved.

REVISIONS

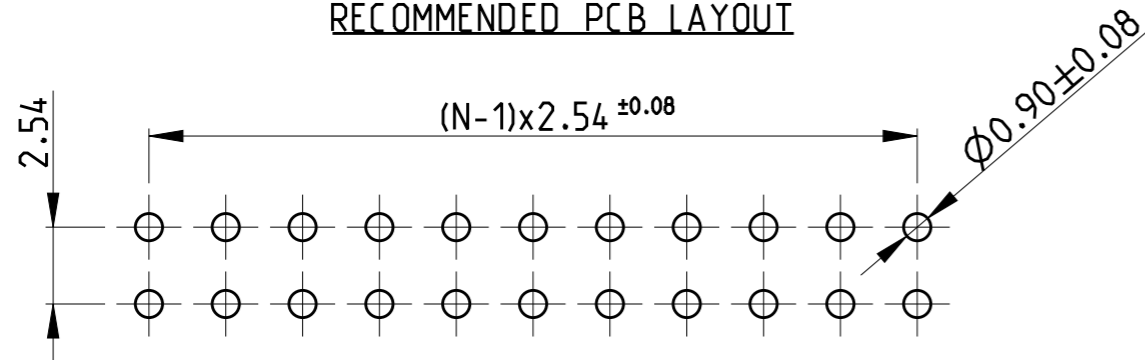
P	LTR	DESCRIPTION	DATE	DWN	APVD
E		PLASTIC MATERIAL SUPPLIER CHANGE	20MAR2019	SS	PS

POS. PER ROW 'N'	L	PART NUMBER	
2	5.08	215308 -2	OBSOLETE
3	7.62	-3	
4	10.16	-4	
5	12.70	-5	
6	15.24	-6	OBSOLETE
7	17.78	-7	
8	20.32	-8	
9	22.86	-9	
10	25.40	1- -0	OBSOLETE
11	27.94	1- -1	
12	30.48	1- -2	
13	33.02	1- -3	OBSOLETE
14	35.56	1- -4	
15	38.10	1- -5	
16	40.64	1- -6	
17	43.18	1- -7	OBSOLETE
18	45.72	1- -8	
19	48.26	1- -9	
20	50.80	2- -0	
21	53.34	2- -1	OBSOLETE
22	55.88	2- -2	
23	58.42	2- -3	
24	60.96	2- -4	
25	63.50	2- -5	
26	66.04	2- -6	OBSOLETE
27	68.58	2- -7	
28	71.12	2- -8	
29	73.66	2- -9	OBSOLETE
30	76.2	3- -0	
31	78.74	3- -1	OBSOLETE
32	81.28	3- -2	
33	83.82	3- -3	OBSOLETE
34	86.36	3- -4	
35	88.90	3- -5	
36	91.44	3- 215308 -6	



- NOTES:
- 1 TO DETERMINE DIMENSIONS TAKE 2xN = NR. OF POS.
FOR EXAMPLE: 2x10 POS; N x 2.54= 25.4mm
FOR ORDER NO: USE BASIC - NR. + NR. OF POS.
FOR EXAMPLE: 2x2POS. = 215308-2 (SHORTEST VERSION)
2x36POS. =3-215308-6 (LONGEST VERSION)
 - 2 HOUSING MATERIAL: PBT GREEN GLASS FILLED, UL 94V-0
CONTACT MATERIAL: PHOSPHOR BRONZE
 - 3 PLATING 2.5-4.0 μm TIN OVER 0.5 μm NICKEL
 - 4 MATES WITH 0.63 SQUARE/ROUND MODU POSTS
 - 5 CONTACT POINT
 - 6 RECOMMENDED PCB BOARD THICKNESS: 1.6mm
 - 7 PC-BOARD RETENTION FEATURE
 - 8 HV100 CONNECTOR PACKED IN ANTI-STATIC BLISTER TRAY

RECOMMENDED PCB LAYOUT



THIS DRAWING IS A CONTROLLED DOCUMENT.		DWN A.HQ 24FEB1989			
DIMENSIONS: mm		CHK M.SCHAARSCHMIDT 24FEB1989			
TOLERANCES UNLESS OTHERWISE SPECIFIED: ±0.15		APVD G.FELDMEIER	NAME HV100 CONNECTOR VERTICAL, 7.0mm TOP ENTRY, DUAL ROW, TIN		
0 PLC ± 1 PLC ± 2 PLC ± 3 PLC ± 4 PLC ± ANGLES ±		PRODUCT SPEC 108-19056	SIZE A3	CAGE CODE 00779	DRAWING NO C-215308
MATERIAL 2		FINISH 3	APPLICATION SPEC -	WEIGHT -	RESTRICTED TO
CUSTOMER DRAWING			SCALE 5:1	SHEET 1 OF 1	REV E

X-ON Electronics

Largest Supplier of Electrical and Electronic Components

Click to view similar products for [Headers & Wire Housings](#) category:

Click to view products by [TE Connectivity](#) manufacturer:

Other Similar products are found below :

[892-18-020-10-001101](#) [58102-G61-06LF](#) [582553-1](#) [0009485154](#) [009176003701906](#) [0050291907](#) [LY20-4P-DT1-P1E-BR](#) [02.125.8002.8](#)
[609-3404](#) [61062-3](#) [61082-181009](#) [622-3653LF](#) [63453-116](#) [636-1030](#) [636-1427](#) [636-3427](#) [636-4007](#) [641938-9](#) [641991-4](#) [644827-2](#) [65817-](#)
[010LF](#) [65817-015LF](#) [65863-015LF](#) [66207-023LF](#) [67095-007LF](#) [67601157](#) [68645-018](#) [68648-049](#) [70.362.1628.0](#) [70-4210](#) [70-4226B](#) [70-](#)
[4853B](#) [707-5020](#) [707-5028](#) [71.350.2428.0](#) [71918-208LF](#) [71961-016LF](#) [733-134](#) [733-162](#) [754199-000](#) [760-3052](#) [787-8014-00](#) [79531-3000](#)
[FCN-360C032-B](#) [FCN-367T-T012/H](#) [FCN-723D010/2](#) [80.063.4001.1](#) [800-90-001-10-001000](#) [800-90-010-10-002000](#) [801-43-002-10-013000](#)