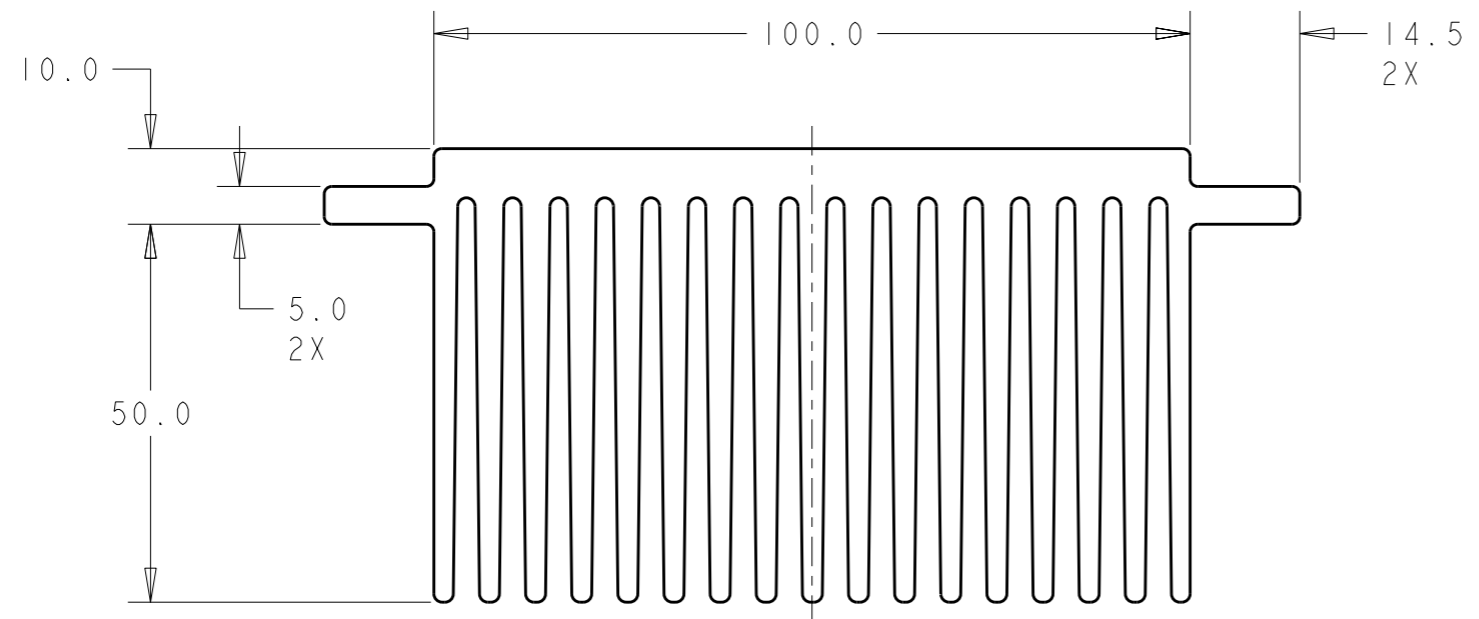
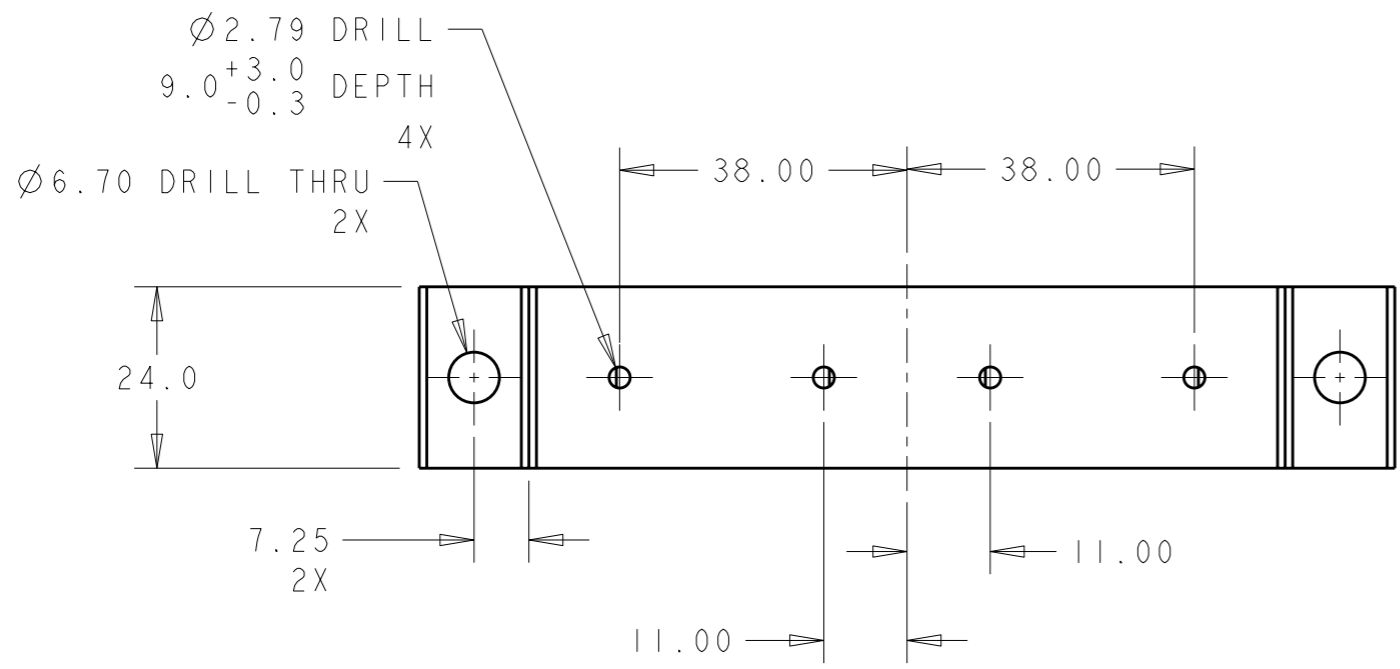


THIS DRAWING IS UNPUBLISHED. RELEASED FOR PUBLICATION 20  
 © COPYRIGHT 20 BY TYCO ELECTRONICS CORPORATION. ALL INTERNATIONAL RIGHTS RESERVED.

LOC	DIST	REVISIONS					
		P	LTR	DESCRIPTION	DATE	DWN	APVD
-	-		1	PROPOSED	14SEP2010	CD	MM
			2	DRILL DEPTH CHANGED TO 9.0	01DEC2010	CD	MM
			3	OBSOLETE	25JAN2012	MM	MM



△ MATERIAL:  
 -HEAT SINK: ALUMINUM  
 2. MUST COMPLY WITH DIRECTIVE 2002/95/EC (ROHS)

**OBSOLETE**

TYCO ELECTRONICS  
 CONFIDENTIAL  
 AND PROPRIETARY

PROPOSED DESIGN  
 NOT PRODUCTION TOOLED

DESIGN IS SUBJECT TO  
 CHANGE WITHOUT NOTICE

2154168-1  
 PART NUMBER

<small>THIS DRAWING IS A CONTROLLED DOCUMENT FOR TYCO ELECTRONICS CORPORATION          IT IS SUBJECT TO CHANGE AND THE CONTROLLING ENGINEERING ORGANIZATION          SHOULD BE CONTACTED FOR THE LATEST REVISION.</small>		DWN 14SEP2010 C. DAILY				Tyco Electronics Corporation Harrisburg, PA 17105-3608	
DIMENSIONS: mm		TOLERANCES UNLESS OTHERWISE SPECIFIED: 0 PLC ±- 1 PLC ±0.2 2 PLC ±0.13 3 PLC ±- 4 PLC ±- ANGLES ±3°		CHK 14SEP2010 MOSTOLLER		NAME HEAT SINK, 24 X 100 BOARD	
		MATERIAL 		PRODUCT SPEC -		APPLICATION SPEC -	
FINISH -		WEIGHT -		SIZE A3		CAGE CODE 00779	
CUSTOMER DRAWING		DRAWING NO C-2154168		RESTRICTED TO -		SCALE SHEET OF REV 3	

## X-ON Electronics

Largest Supplier of Electrical and Electronic Components

*Click to view similar products for [Heat Sinks - LED category](#):*

*Click to view products by [TE Connectivity manufacturer](#):*

Other Similar products are found below :

[LMH020-HS00-0000-0000002](#) [LRS180150CB](#) [LRS200100TW](#) [LRS200100TWK](#) [LRS285200TW](#) [684S4ST2](#) [LM310-003A99DN](#) [LMH020-HS00-0000-0000081](#) [LRS180150CBK](#) [LRS285200TWK](#) [098011G](#) [ATS-58000-C1-R0](#) [ATS-58001-C1-R0](#) [ATS-58002-C1-R0](#) [ATS-58003-C2-R0](#) [ATSEU-077A2-C1-R1](#) [ATSEU-077A2-C2-R0](#) [ATSEU-077A2-C5-R0](#) [ATSEU-077A-C3-R0](#) [ATSEU-077A-C4-R0](#) [ATSEU-077A-C6-R0](#) [ATSEU-077B-C1-R0](#) [ATSEU-077B-C2-R0](#) [ATSEU-077B-C3-R0](#) [ATSEU-077B-C4-R0](#) [ATSEU-077B-C5-R0](#) [ATSEU-077B-C6-R0](#) [ATSEU-077C-C1-R0](#) [ATSEU-077C-C2-R0](#) [ATSEU-077C-C3-R0](#) [ATSEU-077C-C4-R0](#) [ATSEU-077C-C5-R0](#) [ATSEU-077C-C6-R0](#) [ATSEU-077D-C1-R0](#) [ATSEU-077D-C2-R0](#) [ATSEU-077D-C3-R0](#) [ATSEU-077D-C4-R0](#) [ATSEU-077D-C5-R0](#) [ATSEU-077D-C6-R0](#) [ATSEU-109-C1-R0](#) [ATSEU-109-C2-R0](#) [ATSEU-110-C1-R0](#) [ATSEU-110-C2-R0](#) [LMH020-HS00-0000-0000001](#) [LMH020-HS00-0000-0000061](#) [LMR020-HS02-0000-0000001](#) [PG1W-12-60-L3BN](#) [45-4586](#) [180289-0000](#) [HSSLS-CALCL-008](#)