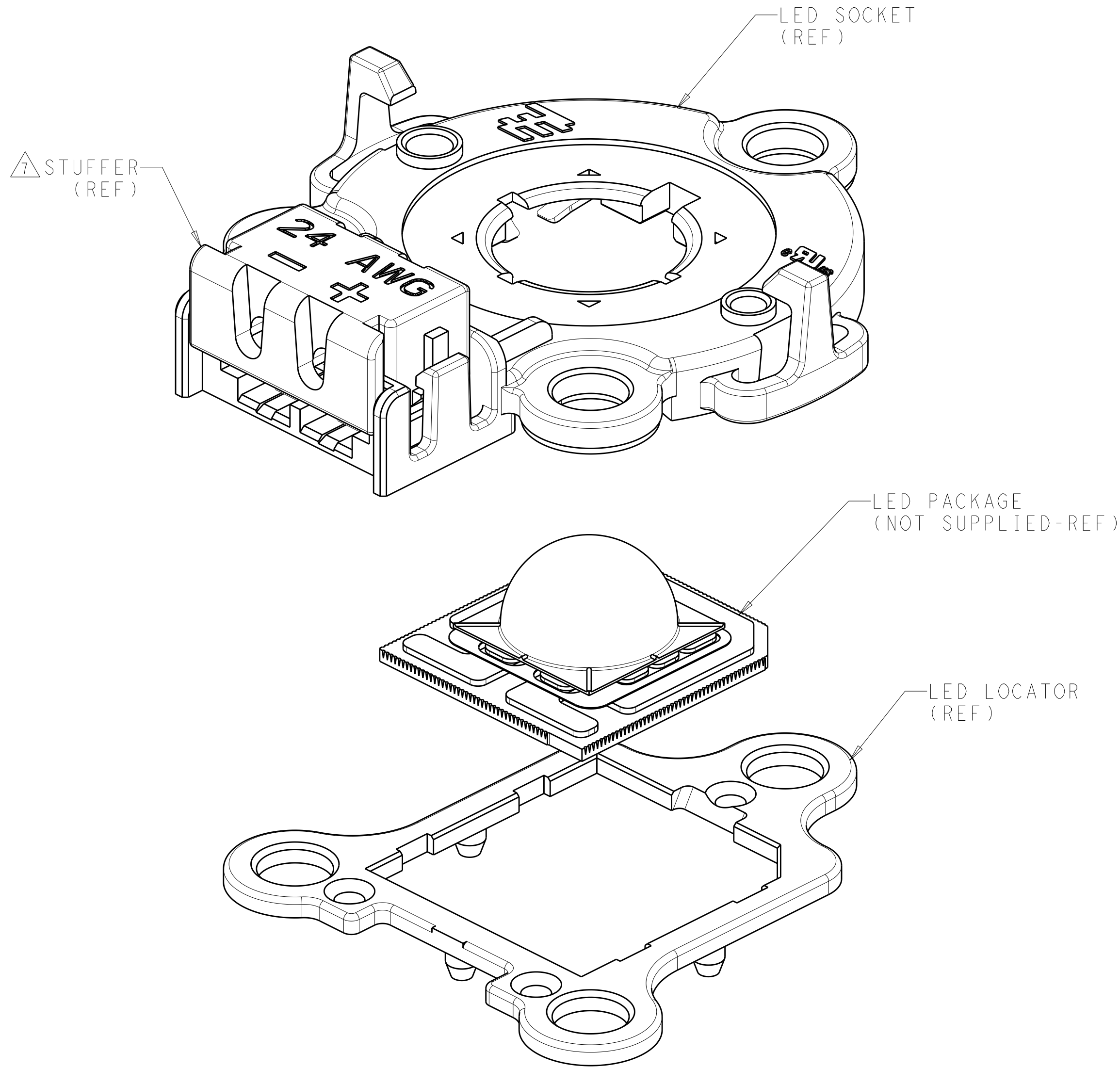


THIS DRAWING IS UNPUBLISHED. RELEASED FOR PUBLICATION 20
 © COPYRIGHT 20 BY - ALL RIGHTS RESERVED.

LOC		DIST		REVISIONS			
P	LTR	DESCRIPTION	DATE	DWN	APVD		
-	-	A	REVISED PER ECR-12-002666	08AUG2012	RS	MM	



EXPLODED VIEW WITH LED SHOWN
 SCALE 6:1

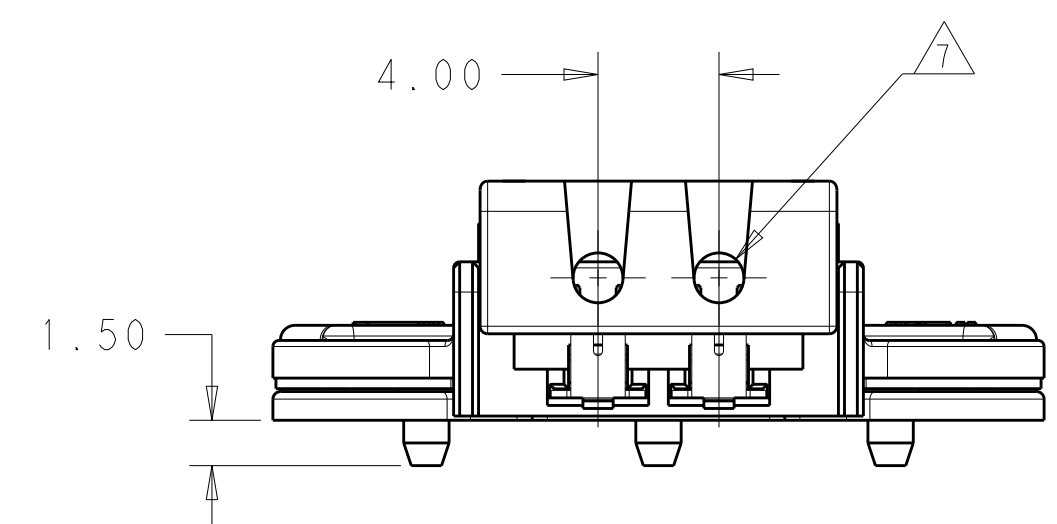
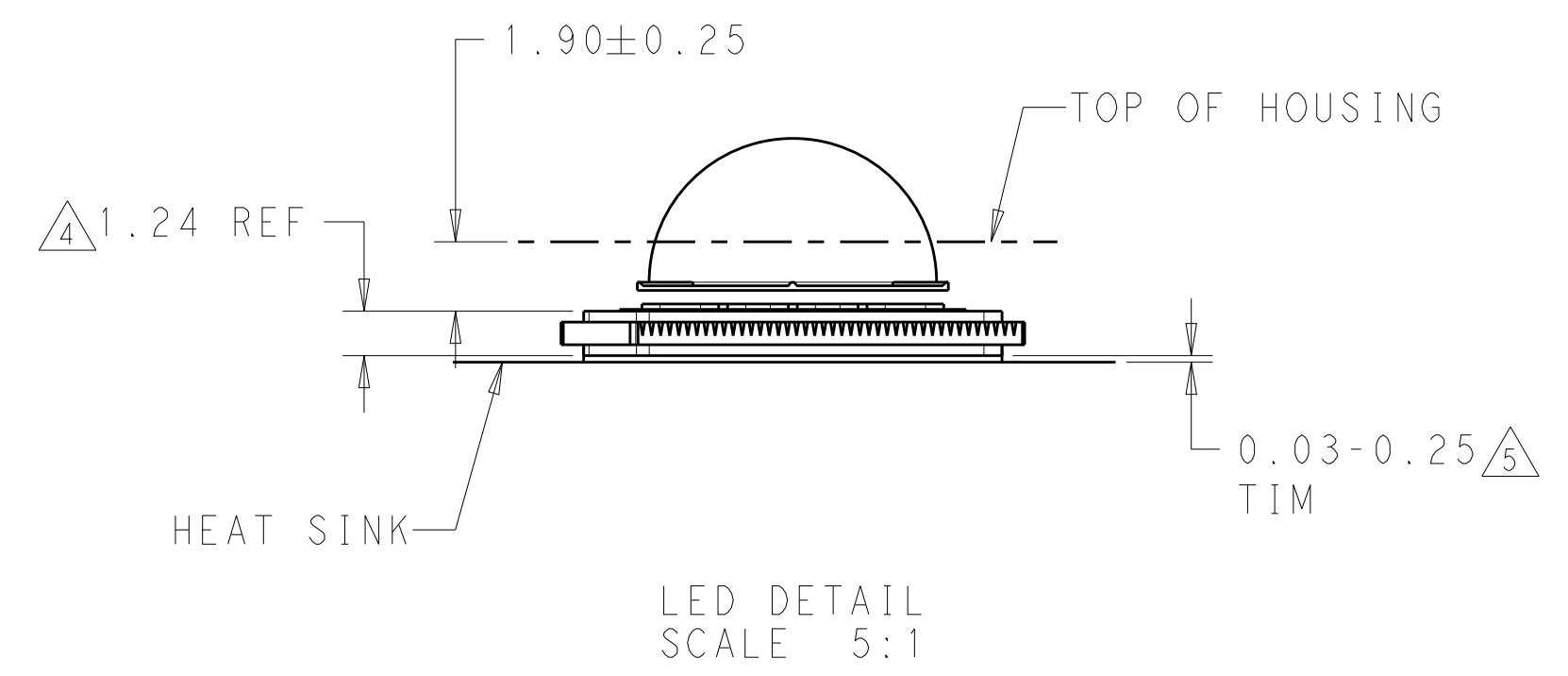
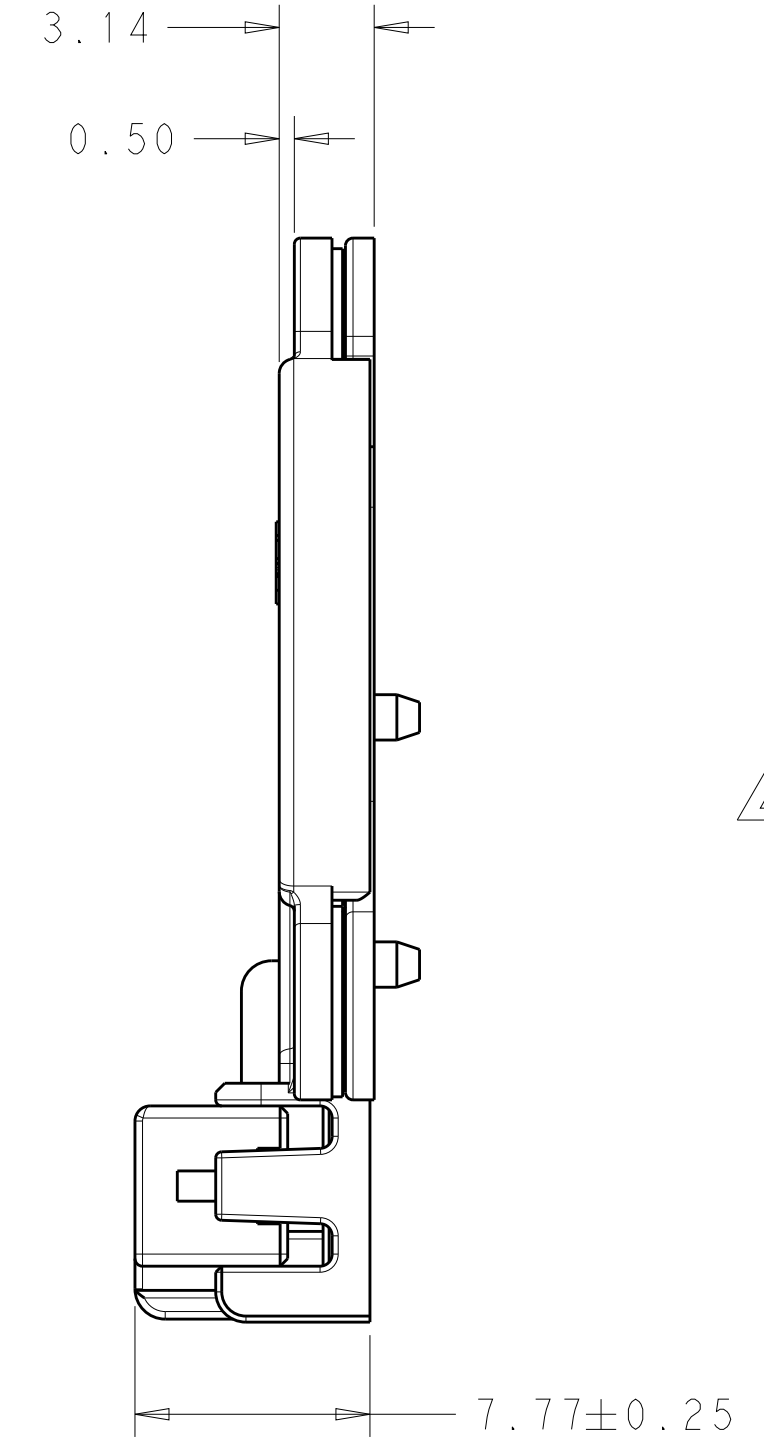
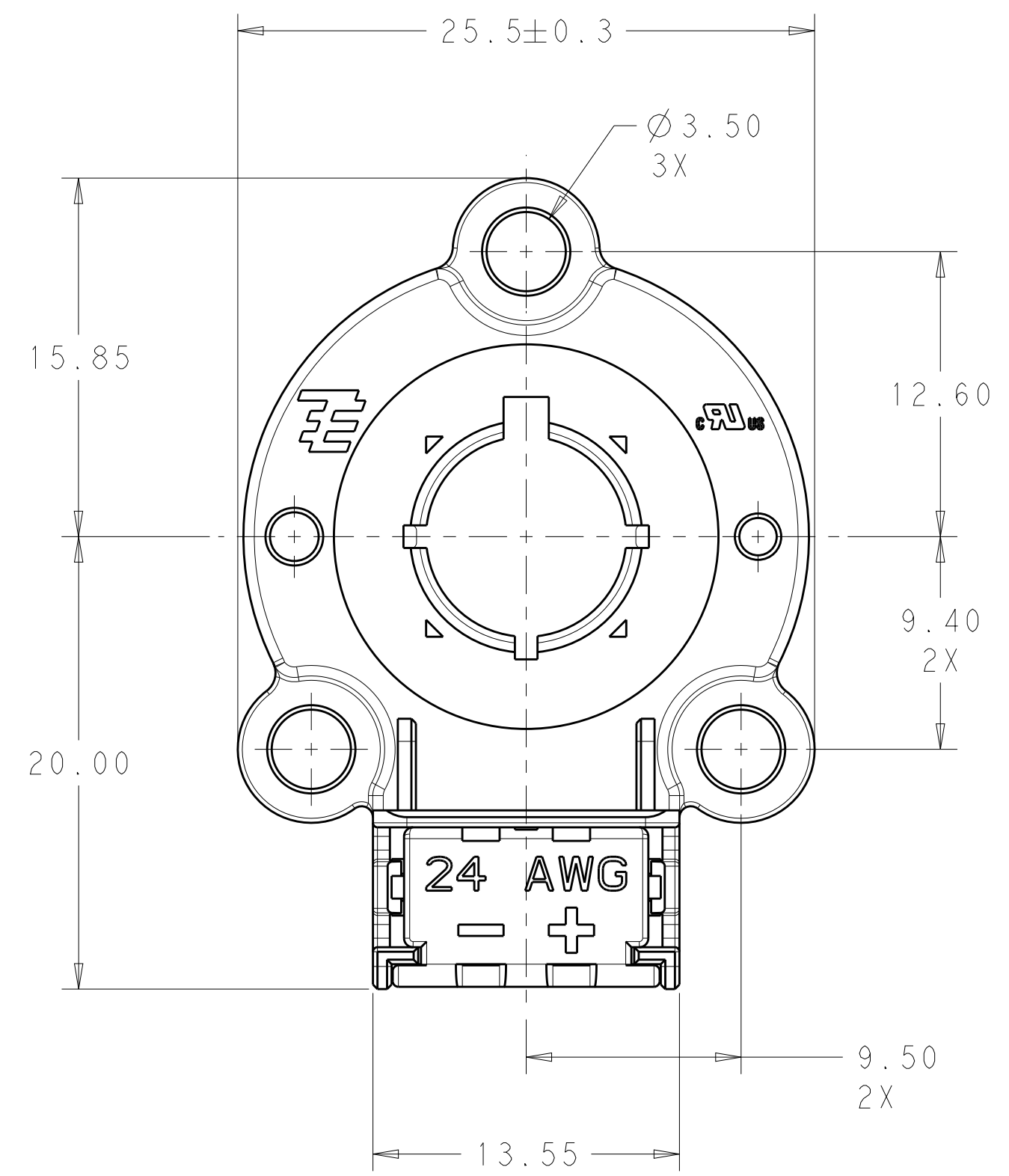
- 1 MATERIALS AND FINISH:
 - HOUSING: PBT-GF, COLOR: NATURAL
 - LED LOCATOR: PBT-GF, COLOR: NATURAL
 - STUFFER: PBT-GF, COLOR: NATURAL
 - IDC CONTACTS: COPPER ALLOY
 - FINISH: GOLD IN LED INTERFACE WITH TIN OVER NICKEL BALANCE
 - THERMAL SPRING: STAINLESS STEEL
- 2. MUST COMPLY WITH DIRECTIVE 2002/95/EC (ROHS)
- 3. THIS PRODUCT HAS NOT COMPLETED VALIDATION TESTING
- 4 REFER TO LUMILEDS LED DATASHEET FOR LED DIMENSIONS
- 5 REFER TO LUMILEDS LED DATASHEET FOR RECOMMENDED THERMAL INTERFACE MATERIALS
- 6 RECOMMENDED SCREW SIZE: M3 OR #4. TORQUE SCREWS TO 2.5 in-lbf TO 4.0 in-lbf
- 7 SOCKET TO BE USED WITH 24AWG UL1007/1569 INSULATED WIRE. MAX INSULATION O.D. TO BE $\varnothing 1.60$

SOCKET ASSEMBLY W/ OPTICS LATCH	2154235-2
SOCKET ASSEMBLY W/O OPTICS LATCH	2154235-1
DESCRIPTION	PART NO.

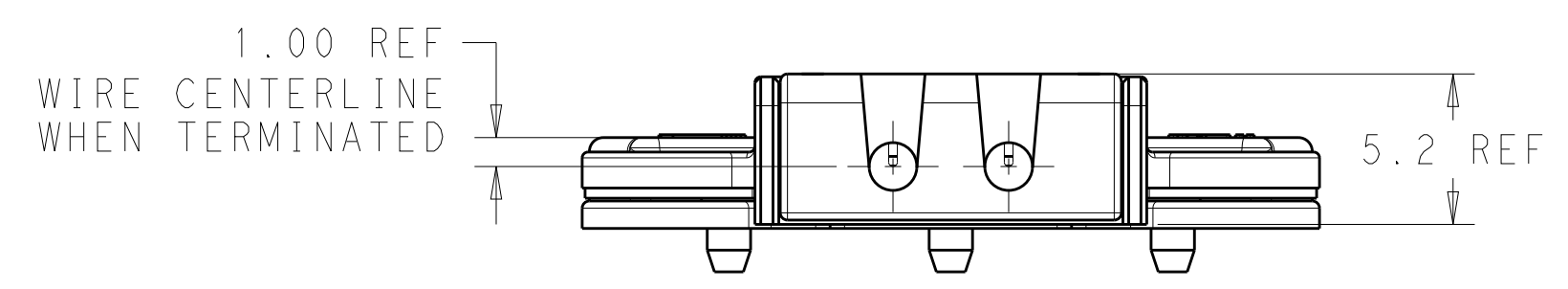
THIS DRAWING IS A CONTROLLED DOCUMENT.		DWN C. DAILY 14OCT2010	TE Connectivity	
		CHK R. NARANG 14OCT2010		
DIMENSIONS: mm		APVD -		NAME ASSEMBLY, SOLDERLESS LED SOCKET, TYPE LS
TOLERANCES UNLESS OTHERWISE SPECIFIED:		PRODUCT SPEC 108-2455		
0 PLC ±-		APPLICATION SPEC 114-13294		SIZE A200779
1 PLC ±0.2		WEIGHT -		CAGE CODE C-2154235
2 PLC ±0.15		MATERIAL -		DRAWING NO -
3 PLC ±-		Customer Drawing		RESTRICTED TO -
4 PLC ±-		SCALE 4:1		SHEET 1 OF 4
ANGLES ±2°		REV A		
FINISH				

THIS DRAWING IS UNPUBLISHED. RELEASED FOR PUBLICATION 20
 © COPYRIGHT 20 BY - ALL RIGHTS RESERVED.

REVISIONS							
LOC	DIST	P	LTR	DESCRIPTION	DATE	DWN	APVD
-	-	-	-	SEE SHEET 1	-	-	-



2154235-1 SHOWN

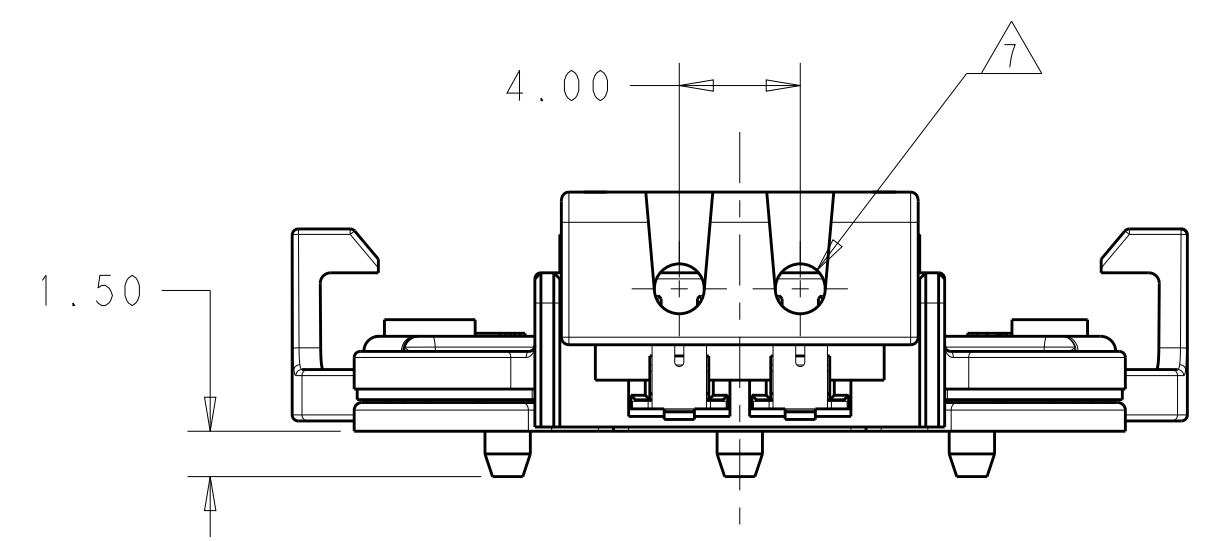
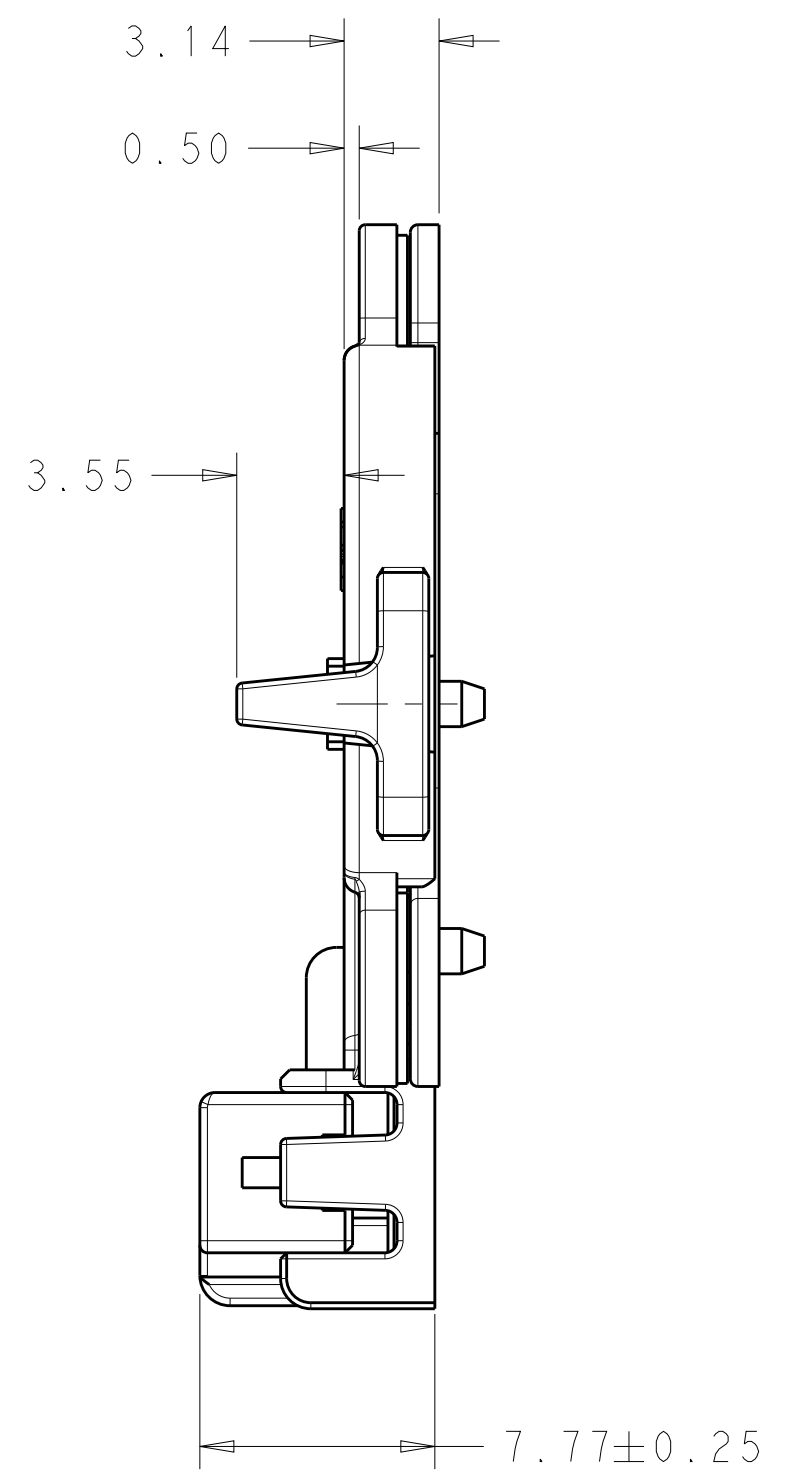
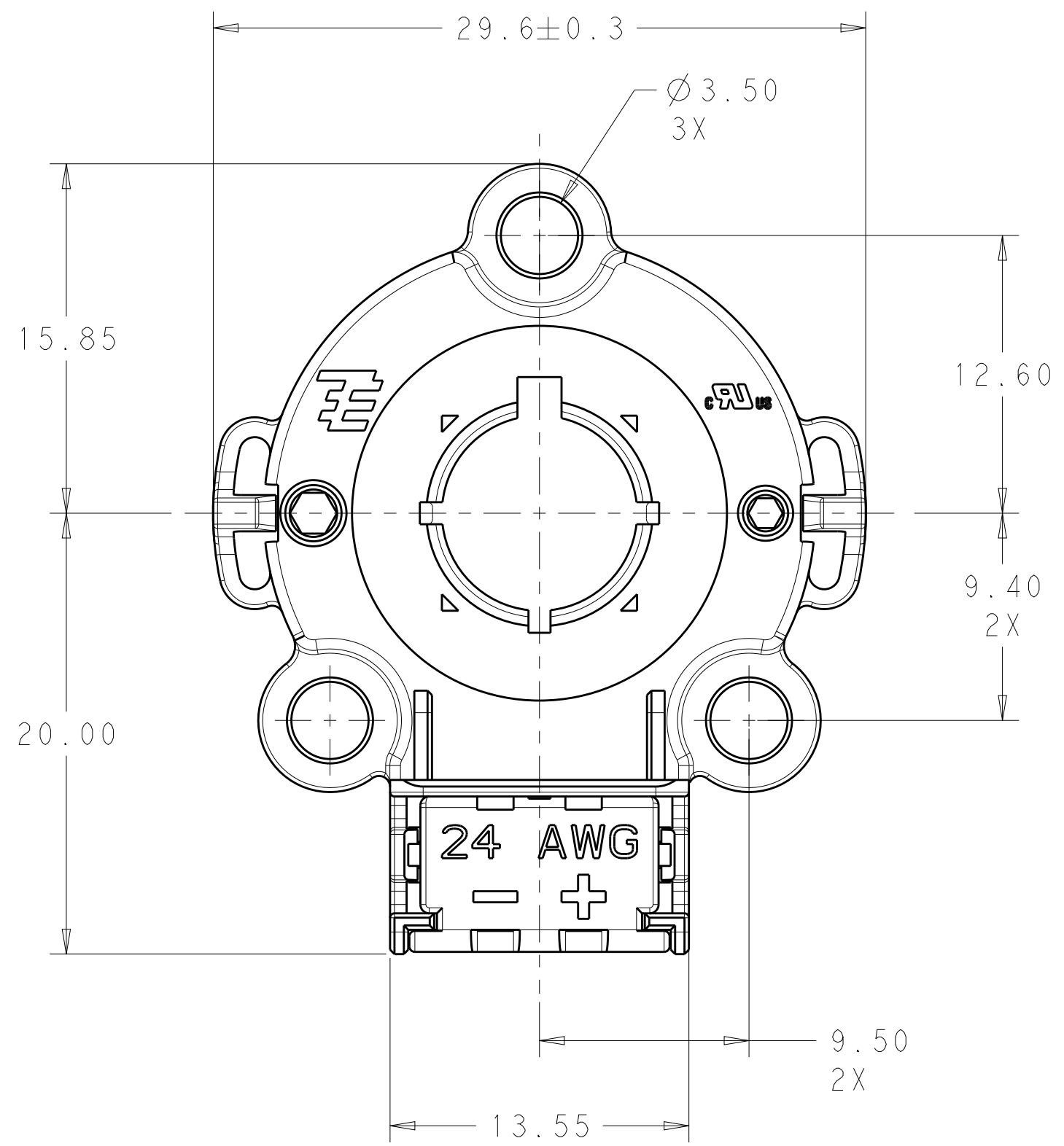


STUFFER CLOSED

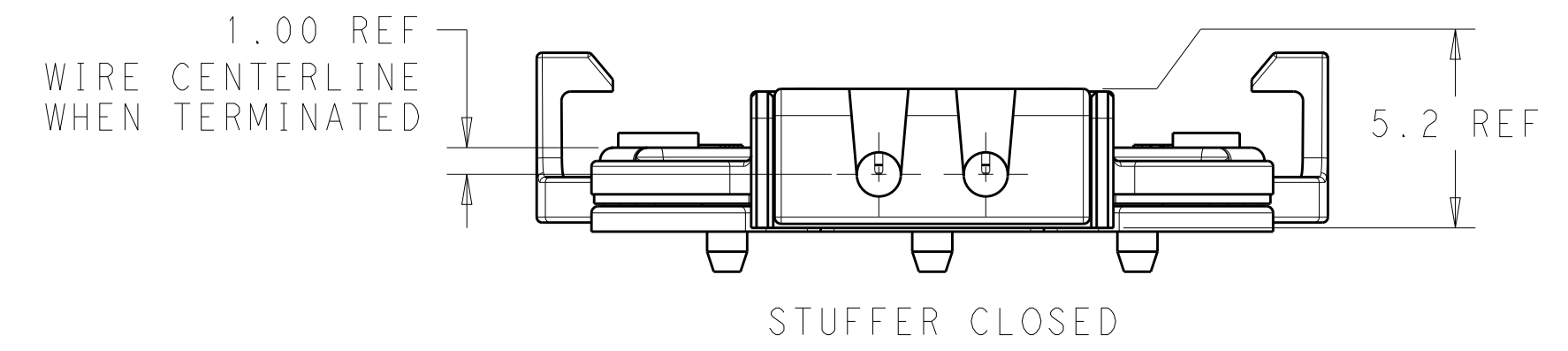
THIS DRAWING IS A CONTROLLED DOCUMENT.		DWN C. DAILY 14OCT2010	TE Connectivity															
		CHK R. NARANG 14OCT2010																
DIMENSIONS: mm		TOLERANCES UNLESS OTHERWISE SPECIFIED:		NAME ASSEMBLY, SOLDERLESS LED SOCKET, TYPE LS														
<table border="1"> <tr><td>0 PLC</td><td>±</td></tr> <tr><td>1 PLC</td><td>±0.2</td></tr> <tr><td>2 PLC</td><td>±0.15</td></tr> <tr><td>3 PLC</td><td>±</td></tr> <tr><td>4 PLC</td><td>±</td></tr> <tr><td>ANGLES</td><td>±2°</td></tr> <tr><td>FINISH</td><td></td></tr> </table>		0 PLC	±	1 PLC	±0.2	2 PLC	±0.15	3 PLC	±	4 PLC	±	ANGLES	±2°	FINISH		PRODUCT SPEC 108-2455	SIZE 114-13294	RESTRICTED TO -
0 PLC	±																	
1 PLC	±0.2																	
2 PLC	±0.15																	
3 PLC	±																	
4 PLC	±																	
ANGLES	±2°																	
FINISH																		
MATERIAL 1 -		APPLICATION SPEC 114-13294	WEIGHT -	SCALE 4:1														
		Customer Drawing	Customer Drawing	SHEET 2 OF 4 REV A														

THIS DRAWING IS UNPUBLISHED. RELEASED FOR PUBLICATION 20
 © COPYRIGHT 20 BY - ALL RIGHTS RESERVED.

REVISIONS							
LOC	DIST	P	LTR	DESCRIPTION	DATE	DWN	APVD
-	-	-	-	SEE SHEET 1	-	-	-



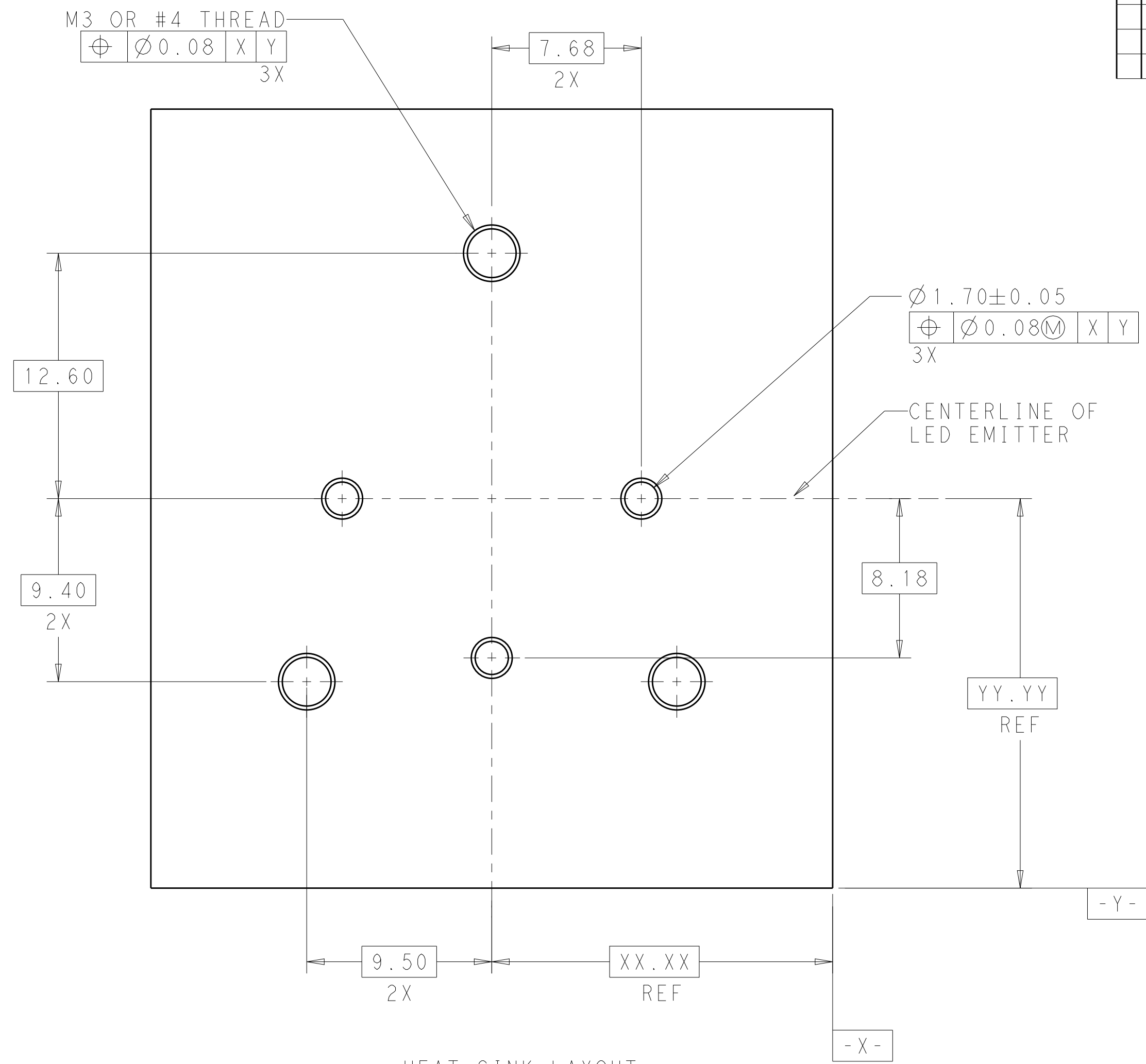
2154235-2 SHOWN



THIS DRAWING IS A CONTROLLED DOCUMENT.		DWN C. DAILY 14OCT2010	TE Connectivity	
DIMENSIONS: mm		CHK R. NARANG 14OCT2010		
TOLERANCES UNLESS OTHERWISE SPECIFIED:		APVD -	NAME ASSEMBLY, SOLDERLESS LED SOCKET, TYPE LS	
0 PLC ±		PRODUCT SPEC 108-2455	SIZE A200779	
1 PLC ±0.2		APPLICATION SPEC 114-13294	CAGE CODE C-2154235	
2 PLC ±0.15		WEIGHT -	DRAWING NO -	
3 PLC ±		Customer Drawing	RESTRICTED TO -	
4 PLC ±		SCALE 4:1	SHEET 3 OF 4	
ANGLES ±2°		REV A		
FINISH				

THIS DRAWING IS UNPUBLISHED. RELEASED FOR PUBLICATION 20
 © COPYRIGHT 20 BY - ALL RIGHTS RESERVED.

LOC		DIST		REVISIONS			
P	LTR	DESCRIPTION	DATE	DWN	APVD		
-	-	SEE SHEET 1	-	-	-		



HEAT SINK LAYOUT
SCALE 5:1

THIS DRAWING IS A CONTROLLED DOCUMENT.		DWN C. DAILY 14OCT2010	TE Connectivity	
		CHK R. NARANG 14OCT2010		
DIMENSIONS: mm		APVD -	NAME ASSEMBLY, SOLDERLESS LED SOCKET, TYPE LS	
TOLERANCES UNLESS OTHERWISE SPECIFIED:		PRODUCT SPEC 108-2455	RESTRICTED TO -	
0 PLC ±		APPLICATION SPEC 114-13294	SIZE A200779	DRAWING NO C-2154235
1 PLC ±0.2		WEIGHT -	SCALE 4:1 SHEET 4 OF 4 REV A	
2 PLC ±0.15		Customer Drawing		
3 PLC ±				
4 PLC ±				
ANGLES ±2°				
FINISH				

X-ON Electronics

Largest Supplier of Electrical and Electronic Components

Click to view similar products for [LED Lighting Mounting Accessories](#) category:

Click to view products by [TE Connectivity](#) manufacturer:

Other Similar products are found below :

[C16142_HEKLA-SOCKET-K](#) [3SU1401-1BG20-1AA0](#) [3SU1900-0BC31-0NB0](#) [ES16-RT](#) [1SFA616921R2042](#) [1SFA616921R2131](#)
[1SFA616921R2133](#) [1SFA616921R2143](#) [1SFA611621R1093](#) [B8910020](#) [D3980022](#) [E3990022](#) [E3990040](#) [CABI12 E BK 1M SET PRM](#)
[FLAT8 H/U BK 1M SET PRM](#) [BEGTIN12 J/S BK 1M SET PRM](#) [1-2213678-6](#) [C16791_CLAMP-Z45-A](#) [F17250_SOLDER-CLIP-A](#) [CM22-](#)
[4-20MA](#) [CM22-R10K-MT](#) [CM22-R1K](#) [CM22-R50K](#) [CM22-R5K-MT](#) [CM22-SLR](#) [10465](#) [M22-A](#) [M22-CK11](#) [M22-CK20](#) [M22G-XGPV](#)
[M22-K01](#) [M22-LCH-W](#) [M22-LC-R](#) [M22-LED230-R](#) [M22-LED230-W](#) [M22-LEDC230-G](#) [M22-LEDC-G](#) [M22-LEDC-W](#) [M22-LED-G](#)
[M22-LED-W](#) [M22-L-G](#) [M22-LH-G](#) [M22-LH-R](#) [M22-LH-W](#) [M22-L-R](#) [M22-L-W](#) [M22-L-X](#) [M22-R10K](#) [M22-R1K](#) [M22-R470K](#)