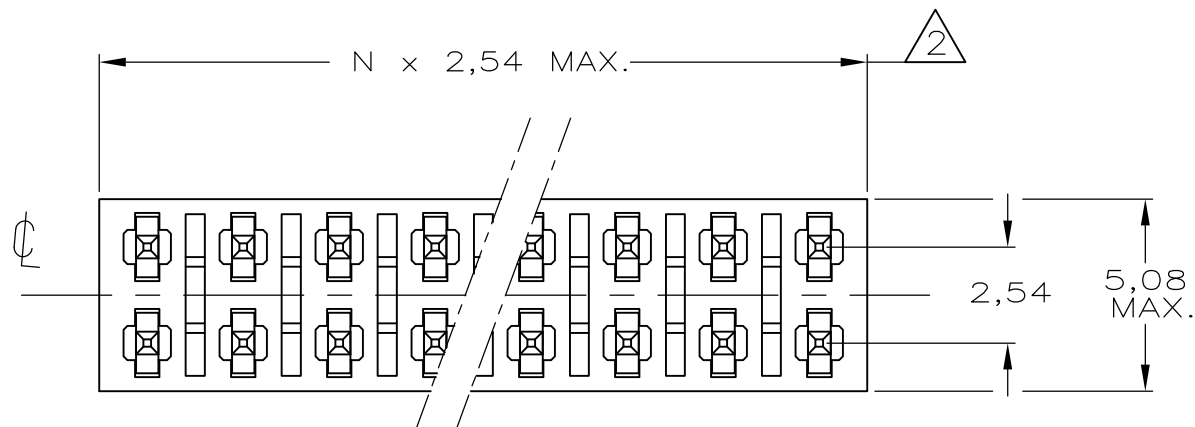


THIS DRAWING IS UNPUBLISHED. RELEASED FOR PUBLICATION

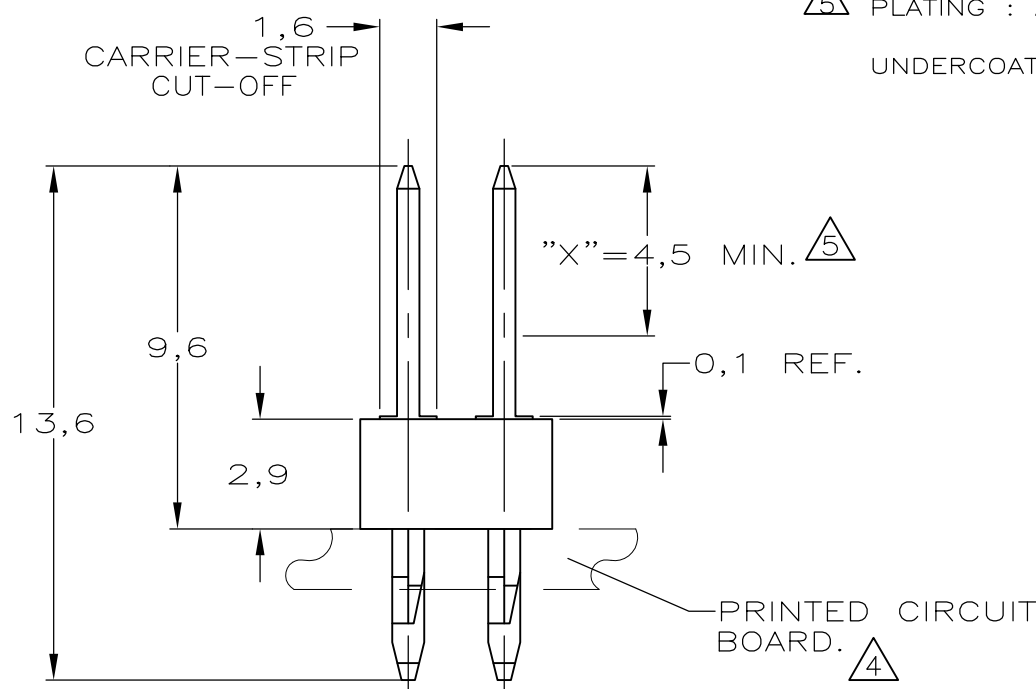
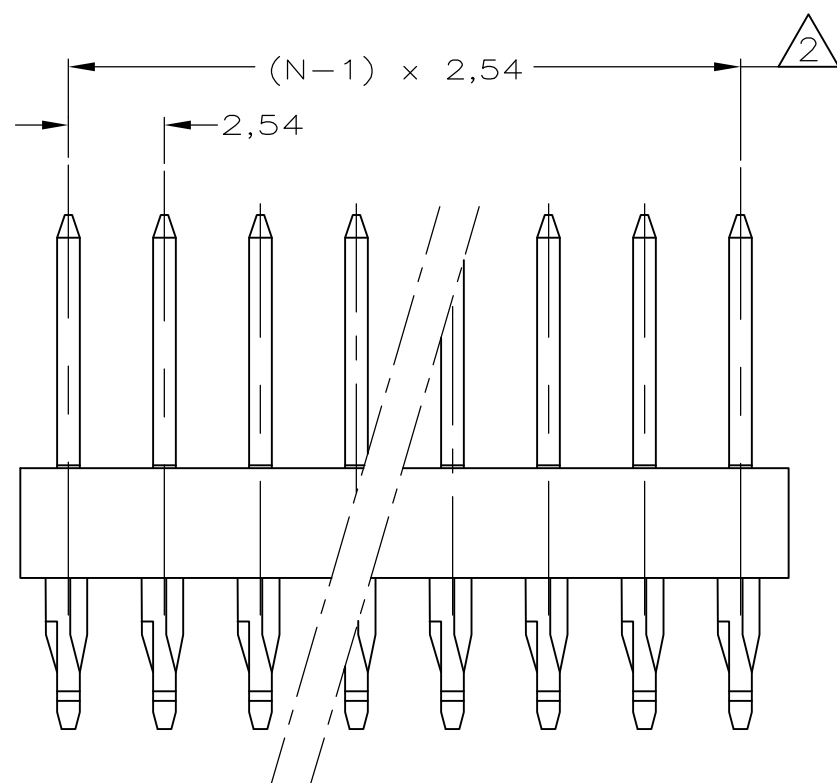
© COPYRIGHT - By - ALL RIGHTS RESERVED.

LOC	DIST	REVISIONS					
		P	LTR	DESCRIPTION	DATE	DWN	APVD
-	-	C1		DRAWING TITLE CORRECTION	19NOV2015	KJK	PS



NOTES:

- 1. CONTACT HOUSING RETENTION FORCE >1,5 N
- 2 TO DETERMINE DIMENSIONS TAKE N = Nr. OF POSITIONS.
FOR EXAMPLE 10 POS. : N x 2,54 = 25,40 mm
- 3 MATERIAL HOUSING : GREEN GLASSFILLED POLYESTER.
MATERIAL CONTACT : PHOSPHOR BRONZE
FOR ORDERNR. USE BASIC NR. + NR OF POSITIONS.
FOR EXAMPLE : 2 POS.= 215447-2 (SHORTEST VERSION)
40 POS.=4-215447-0 (LONGEST VERSION)
- 4 ACTION PIN SUITABLE FOR 1,6mm MIN. P.C.BOARD THICKNESS.
- 5 PLATING : AREA "X" Au-PLATED 0,76µm THICKNESS.
ACTION-PIN AREA, Sn PLATED 1,27µm THICKNESS.
UNDERCOATING : 1,27µm Ni ALL OVER.



P.C.B. HOLE DIM. ACTION PIN	
DRILLED HOLE	: 1,15 ±0,025 mm
FIN. HOLE	: 0,94 to 1,09 mm
AFTER REFLOW	: 0,91 to 1,09 mm
Cu-thks	: 0,025 to 0,075 mm
Sn-thks	: 0,004 to 0,010 mm

THIS DRAWING IS A CONTROLLED DOCUMENT.		DWN	01.02.1988		STE TE Connectivity
		CHK	L.V.D.HEIJDEN		
		APVD	P.V.D.HAGEN		
		PRODUCT SPEC	-		
DIMENSIONS:		TOLERANCES UNLESS OTHERWISE SPECIFIED:		NAME	
mm		±0.2mm		MOD II ACTION PIN HEADER, DUAL ROW	
		0 PLC	± -	APPLICATION SPEC	
		1 PLC	± -	-	
		2 PLC	± -	-	
		3 PLC	± -	-	
MATERIAL		FINISH		SIZE	
SEE NOTES		SEE NOTES		CAGE CODE	
				DRAWING NO	
				RESTRICTED TO	
				A3 00779 C-215447	
		CUSTOMER DRAWING		SCALE	
				5:1	
				SHEET	
				1 OF 1	
				REV	
				C1	

X-ON Electronics

Largest Supplier of Electrical and Electronic Components

Click to view similar products for [Headers & Wire Housings](#) category:

Click to view products by [TE Connectivity](#) manufacturer:

Other Similar products are found below :

[892-18-020-10-001101](#) [58102-G61-06LF](#) [582553-1](#) [0009485154](#) [009176003701906](#) [0050291907](#) [LY20-4P-DT1-P1E-BR](#) [02.125.8002.8](#)
[609-3404](#) [61062-3](#) [61082-181009](#) [622-3653LF](#) [63453-116](#) [636-1030](#) [636-1427](#) [636-3427](#) [636-4007](#) [641938-9](#) [641991-4](#) [644827-2](#) [65817-010LF](#) [65817-015LF](#) [65863-015LF](#) [66207-023LF](#) [67095-007LF](#) [67601157](#) [68645-018](#) [68648-049](#) [70.362.1628.0](#) [70-4210](#) [70-4226B](#) [70-4853B](#) [707-5020](#) [707-5028](#) [71.350.2428.0](#) [71918-208LF](#) [71961-016LF](#) [733-134](#) [733-162](#) [754199-000](#) [760-3052](#) [787-8014-00](#) [79531-3000](#)
[FCN-360C032-B](#) [FCN-367T-T012/H](#) [FCN-723D010/2](#) [80.063.4001.1](#) [800-90-001-10-001000](#) [800-90-010-10-002000](#) [801-43-002-10-013000](#)