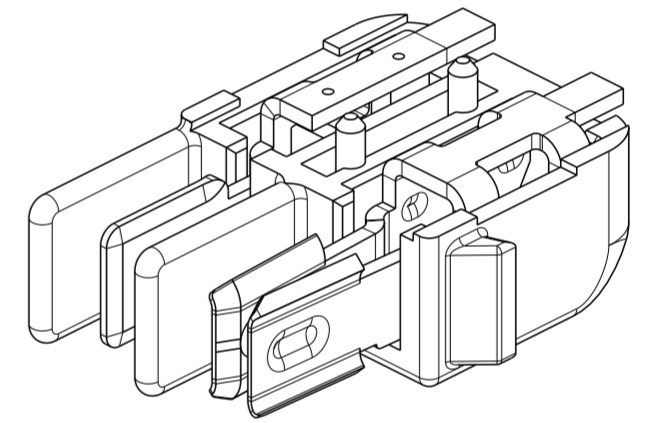
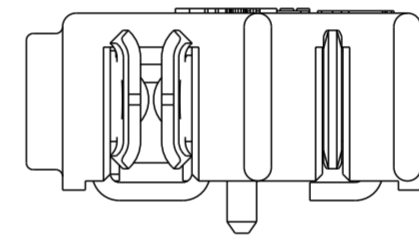
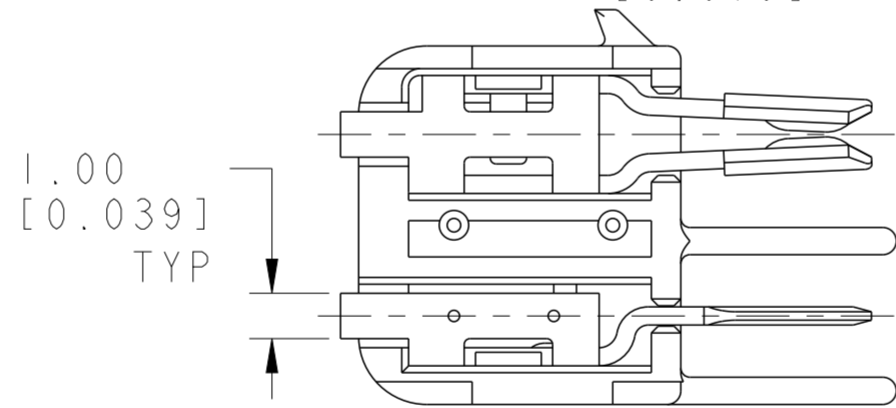
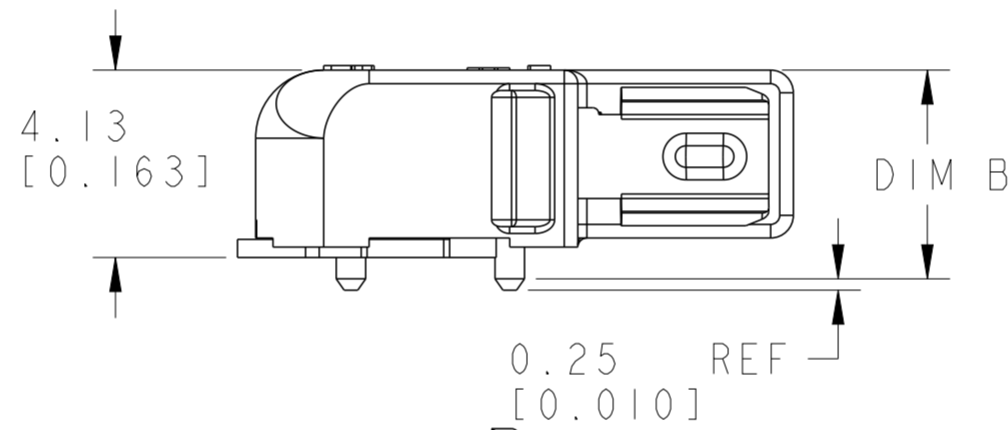
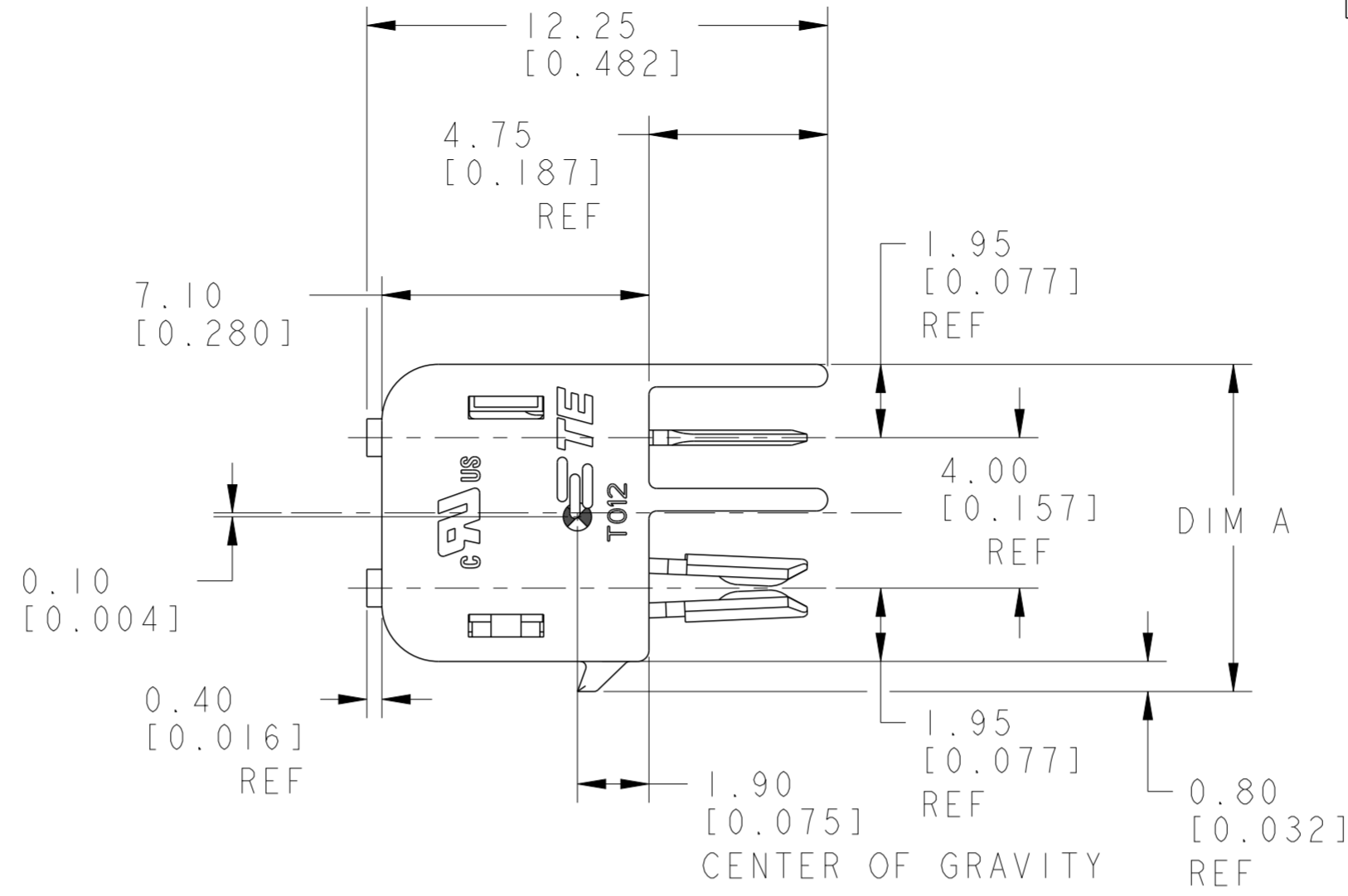


THIS DRAWING IS UNPUBLISHED. RELEASED FOR PUBLICATION 20
 © COPYRIGHT 20 BY - ALL RIGHTS RESERVED.

LOC		DIST		REVISIONS			
P	LTR	DESCRIPTION	DATE	DWN	APVD		
	A1	REVISED PER ECR-13-005787	16APR2013	RS	DD		
	B	REVISED PER ECR-16-012300	26AUG2016	RS	PO		
	B1	REVISED PER ECR-16-016095	16NOV2016	RK	PO		
	B2	REVISED PER ECR-16-017644	28DEC2016	RK	PO		

NOTES:

- 1 MATERIALS AND FINISH
 - HOUSING: LCP
 - CONTACTS: COPPER ALLOY, FINISH: TIN
- 2. PRODUCT TO COMPLY WITH DIRECTIVE 2002/95/EC (ROHS)
- 3. PACKAGED IN TAPE AND REEL PER EIA-481 SPECIFICATIONS
- 4 PRELIMINARY



2154640-1 SHOWN

4	6	BLACK	5.10 [0.201]	24.70	1-2154640-4	
	6	BLACK	4.60 [0.181]	24.70	1-2154640-3	
	4	BLACK	4.60 [0.181]	16.70	1-2154640-2	
	2	BLACK	4.60 [0.181]	8.70	1-2154640-1	
4	6	NATURAL	5.10 [0.201]	24.70	2154640-4	
	6	NATURAL	4.60 [0.181]	24.70	2154640-3	
	4	NATURAL	4.60 [0.181]	16.70	2154640-2	
	2	NATURAL	4.60 [0.181]	8.70	2154640-1	
		POSITION	COLOR	DIM B	DIM A	PART NO.

THIS DRAWING IS A CONTROLLED DOCUMENT.

DWN: ARAVINDA S. 28APRIL2011
 CHK: D. DECKER 28APRIL2011
 APVD: D. DECKER

STE TE Connectivity

NAME: CONNECTOR ASSEMBLY, HERMAPHRODITIC BLADE AND RECEPTACLE, WITH LATCH AND BOSS

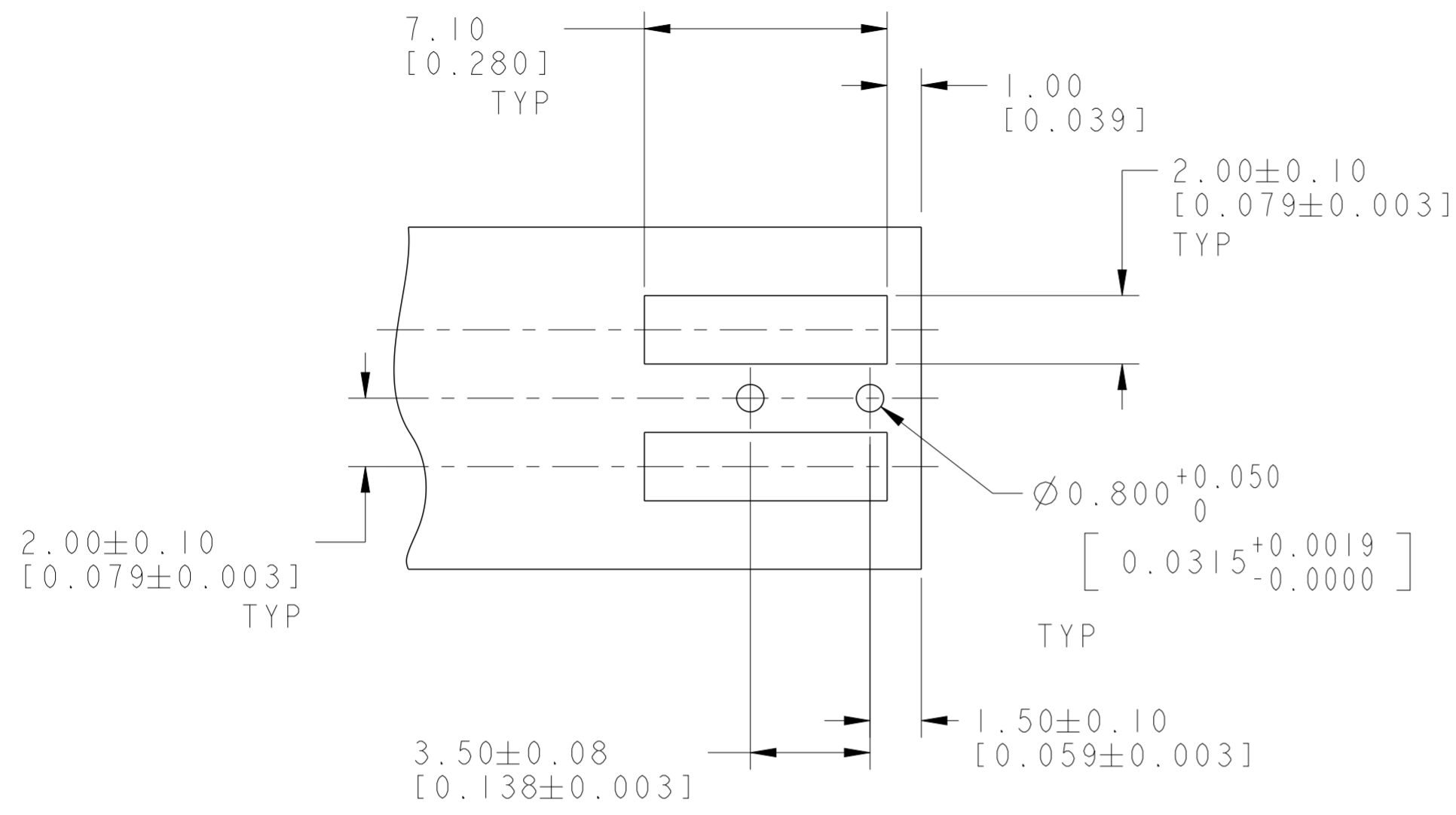
PRODUCT SPEC: 108-2342
 APPLICATION SPEC: 114-13225

MATERIAL: TOLERANCES UNLESS OTHERWISE SPECIFIED:
 0 PLC ±
 1 PLC ±
 2 PLC ±0.13
 3 PLC ±0.013
 4 PLC ±
 ANGLES ±1°
 FINISH

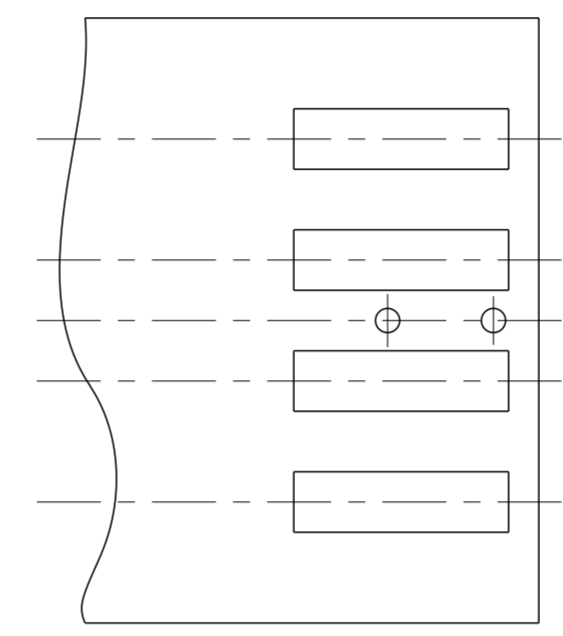
SIZE: A2 CAGE CODE: 00779 DRAWING NO: C-2154640 RESTRICTED TO: -
 WEIGHT: -
 CUSTOMER DRAWING SCALE: 5:1 SHEET 1 OF 3 REV: B2

THIS DRAWING IS UNPUBLISHED. RELEASED FOR PUBLICATION 20
 © COPYRIGHT 20 BY - ALL RIGHTS RESERVED.

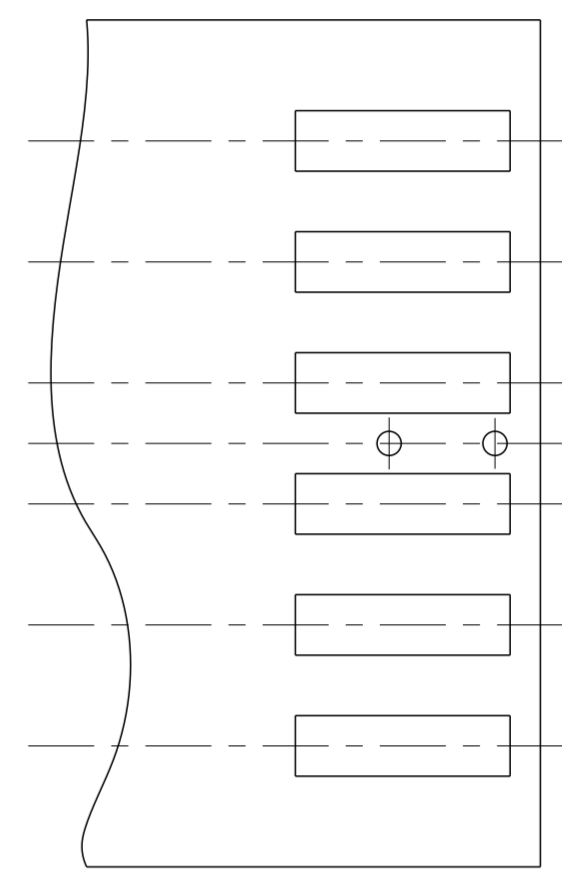
LOC	DIST	REVISIONS			
P	LTR	DESCRIPTION	DATE	DWN	APVD
-	-	SEE SHEET 1	-	-	-



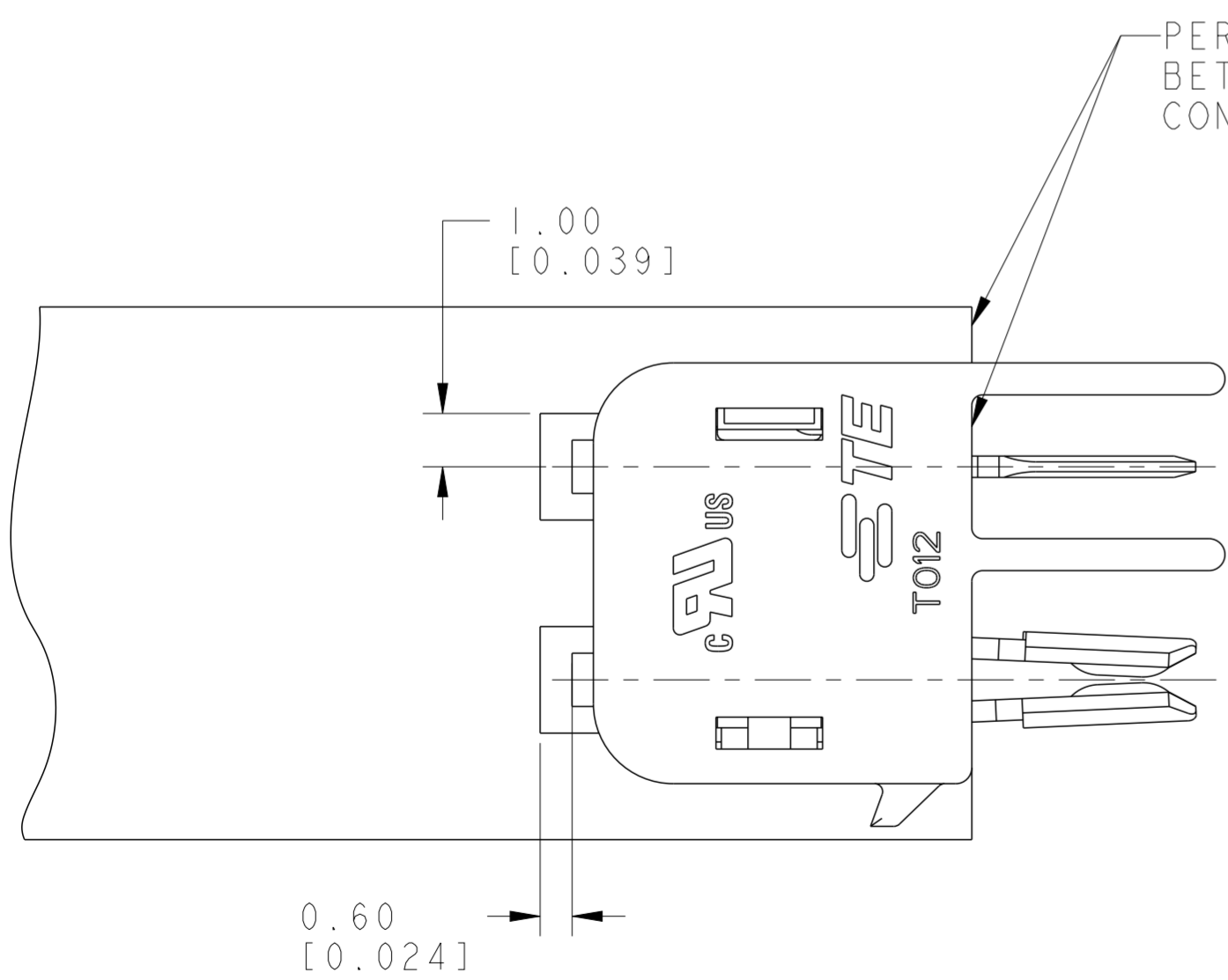
RECOMMENDED PCB LAYOUT FOR 2154640-1 & 1-2154640-1



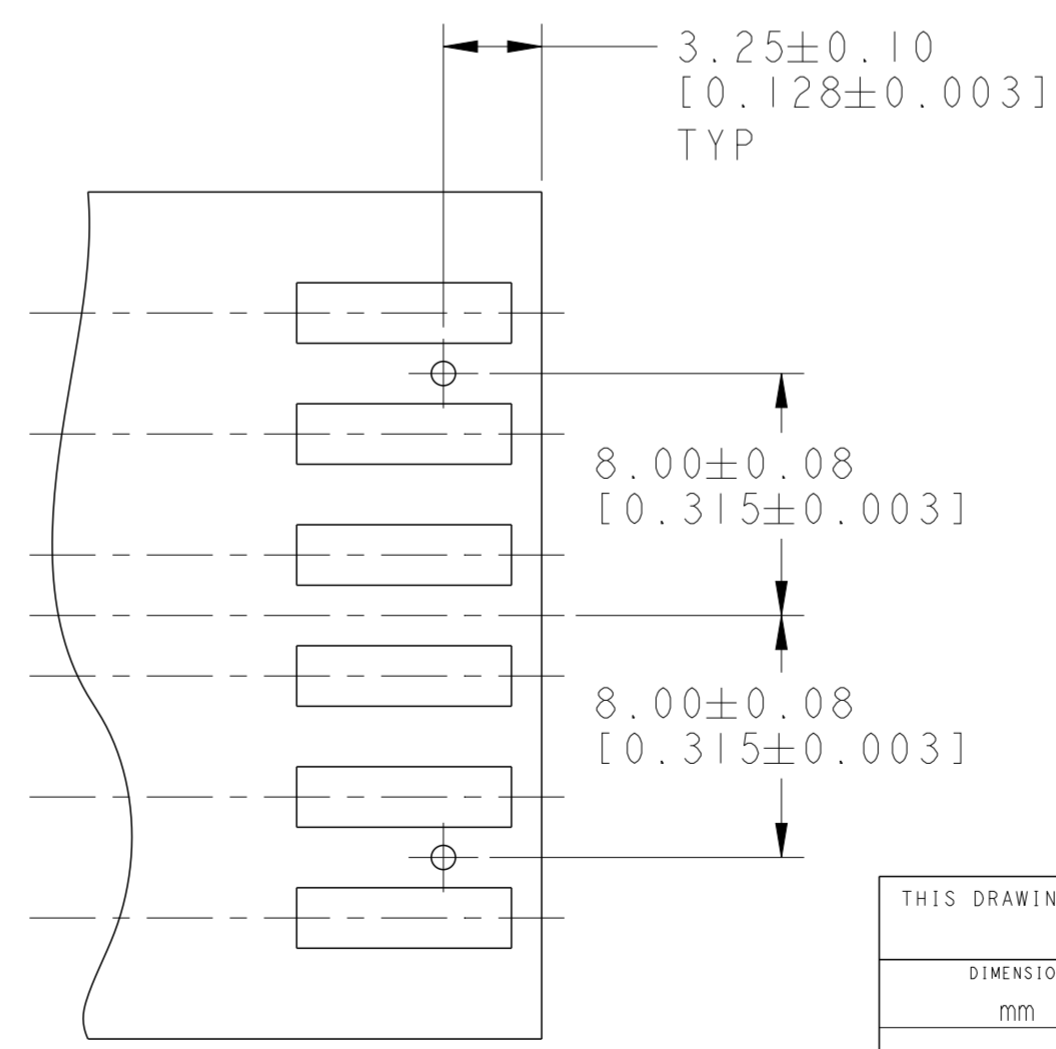
RECOMMENDED PCB LAYOUT FOR 2154640-2 & 1-2154640-2



RECOMMENDED PCB LAYOUT FOR 2154640-3 & 1-2154640-3



SCALE 8:1

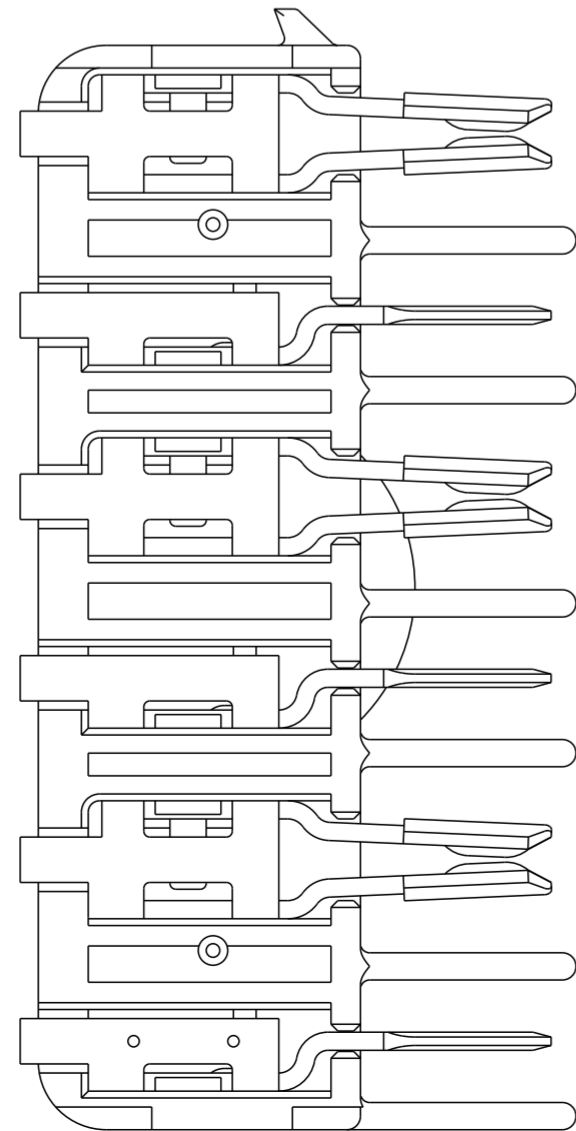
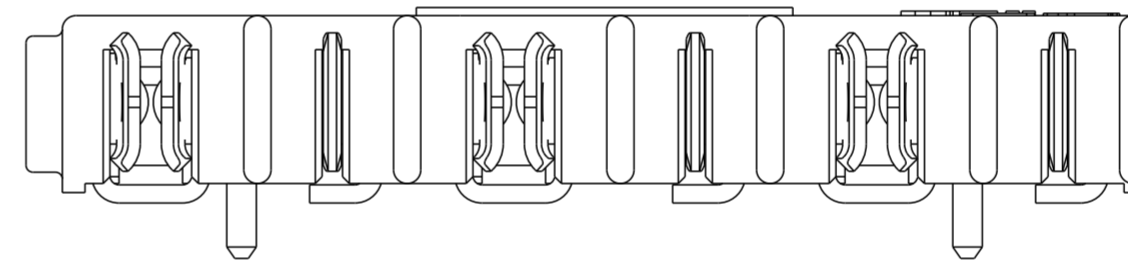
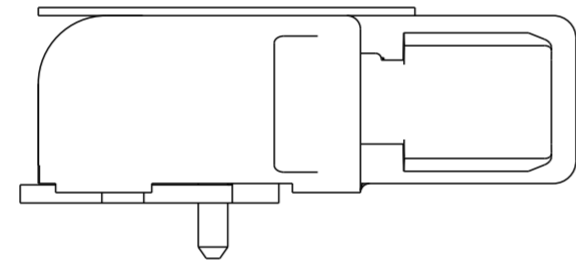
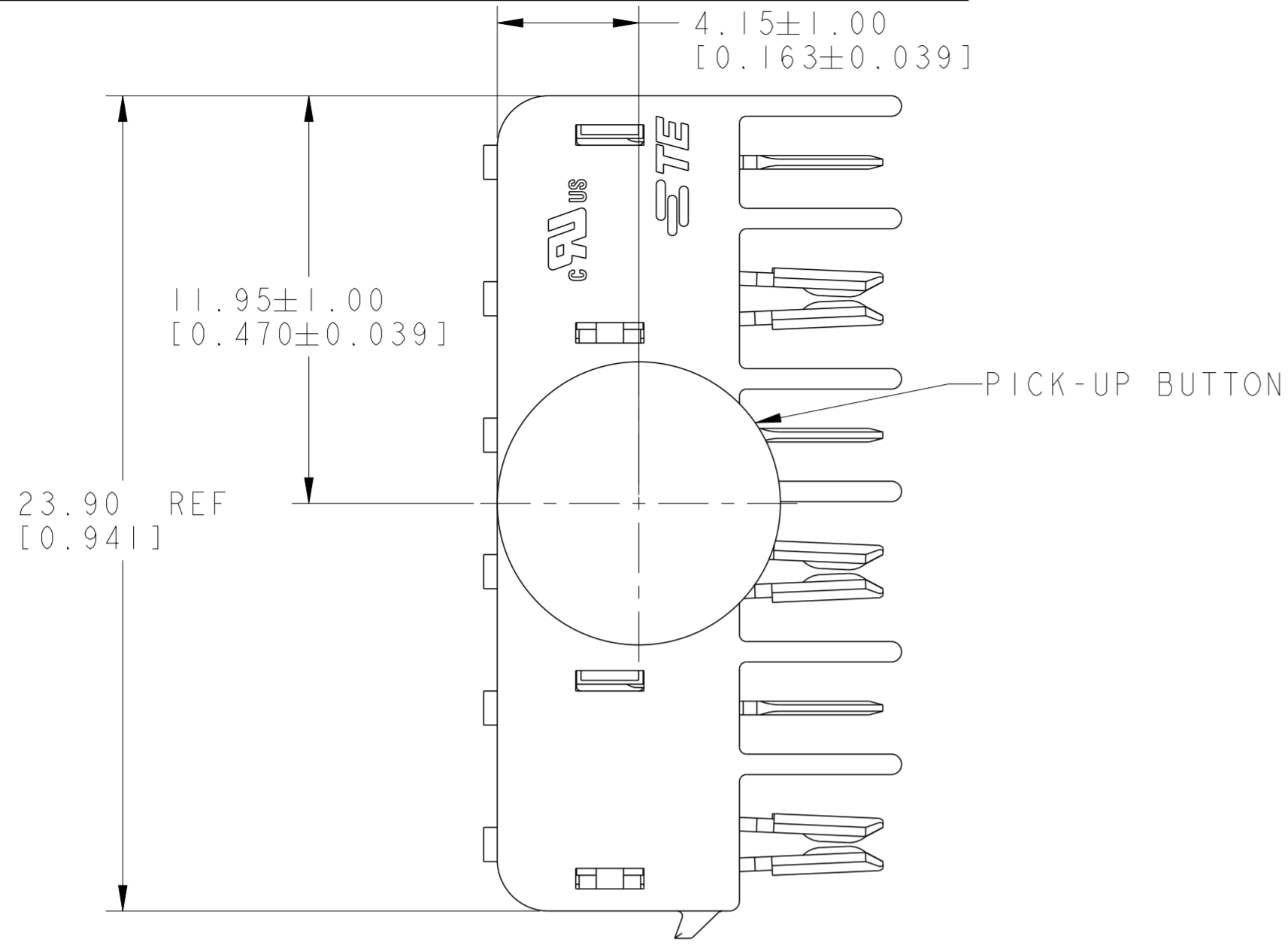


RECOMMENDED PCB LAYOUT FOR 2154640-4 & 1-2154640-4

THIS DRAWING IS A CONTROLLED DOCUMENT.		DWN 28APRIL2011 ARAVINDA S	TE Connectivity	
		CHK 28APRIL2011 D. DECKER		
DIMENSIONS: mm		APVD -	NAME	
TOLERANCES UNLESS OTHERWISE SPECIFIED:		PRODUCT SPEC	CONNECTOR ASSEMBLY, HERMAPHRODITIC BLADE AND RECEPTACLE, WITH LATCH AND BOSS	
0 PLC ±-		108-2342	SIZE	CAGE CODE
1 PLC ±-		APPLICATION SPEC	114-13225	DRAWING NO
2 PLC ±0.13		WEIGHT	A200779	RESTRICTED TO
3 PLC ±0.013		CUSTOMER DRAWING	SCALE 5:1	SHEET 2 OF 3
4 PLC ±				REV B2
ANGLES ±1°				
FINISH				

THIS DRAWING IS UNPUBLISHED. RELEASED FOR PUBLICATION 20
 © COPYRIGHT 20 BY - ALL RIGHTS RESERVED.

LOC	DIST	REVISIONS				
P	LTR	DESCRIPTION	DATE	DWN	APVD	
-	-	SEE SHEET 1	-	-	-	



2154640-4, 1-2154640-4
SHOWN

THIS DRAWING IS A CONTROLLED DOCUMENT.		DWN ARAVINDA S 28 APRIL 2011	TE Connectivity	
DIMENSIONS: mm		CHK D. DECKER 28 APRIL 2011		
TOLERANCES UNLESS OTHERWISE SPECIFIED:		APVD D. DECKER	NAME CONNECTOR ASSEMBLY, HERMAPHRODITIC BLADE AND RECEPTACLE, WITH LATCH AND BOSS	
0 PLC ± 1 PLC ± 2 PLC ±0.13 3 PLC ±0.013 4 PLC ± ANGLES ±1° FINISH		PRODUCT SPEC 108-2342	SIZE 114-13225	RESTRICTED TO -
MATERIAL		APPLICATION SPEC 114-13225	SCALE 6:1	REV B2
		WEIGHT -	CAGE CODE A200779	SHEET 3 OF 3
		CUSTOMER DRAWING	DRAWING NO C-2154640	

X-ON Electronics

Largest Supplier of Electrical and Electronic Components

Click to view similar products for [Lighting Connectors](#) category:

Click to view products by [TE Connectivity](#) manufacturer:

Other Similar products are found below :

[293300-7](#) [293660-5](#) [CNX_H03_NTP](#) [30-9767-BU](#) [3605](#) [3-21030-1](#) [ZCH-110-RGB-I](#) [503471-0290](#) [ZCH-110-RGB-J](#) [217-0716-200](#)
[1954563-1](#) [1-293657-2](#) [2834036-1](#) [2834037-1](#) [1-2213222-4](#) [2-2213222-4](#) [2213222-4](#) [2834122-3](#) [2834122-5](#) [2834135-2](#) [FLA-R4142-30](#)
[FLA-R4162-30](#) [FLA-R2142-30](#) [FLA-R2141-30](#) [FLA-R2162-30](#) [FLA-R2161-30](#) [FLA-R0161-30](#) [FLA-R0141-30](#) [FLA-R0162-30](#) [FLA-C00-](#)
[00](#) [DGA00010553](#) [CNXV04NTP](#) [104128-0610](#) [503485-0000 \(Cut Strip\)](#) [503485-0000 \(Loose Piece\)](#) [503485-0000 \(MINI Reel\)](#) [1-2834074-2](#)
[1-2834074-3](#) [1357-AC PLUG W2C \(CHINA\)](#) [1357-AC PLUG W2 \(USA\)](#) [104266-0110](#) [2106212-1](#) [2-2834074-2](#) [104266-0210](#) [293470-1](#)
[293651-2](#) [293651-4](#) [1-2834006-2](#) [293651-1](#) [2213142-3](#)