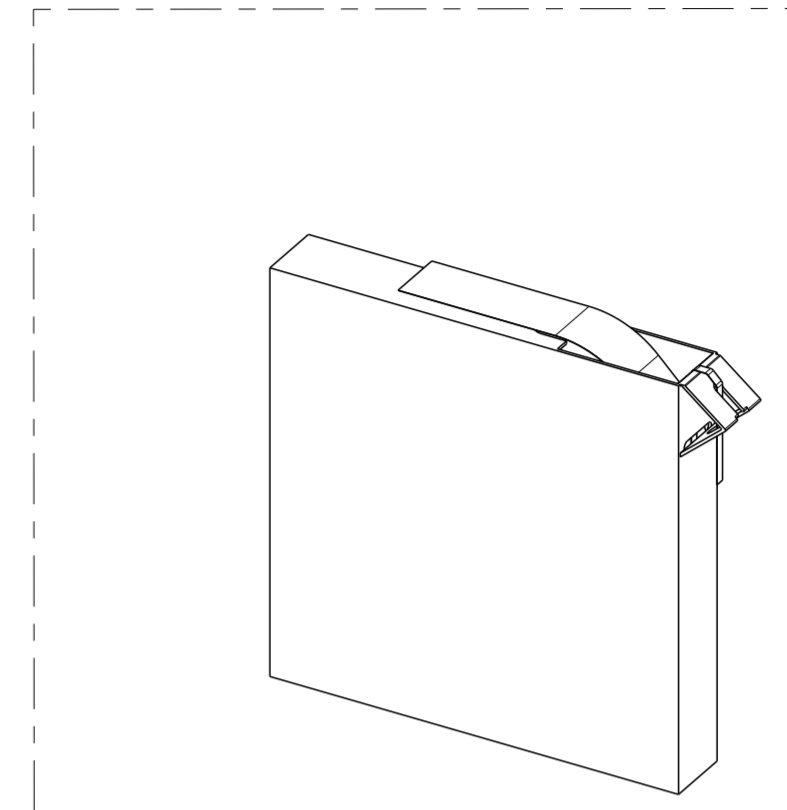
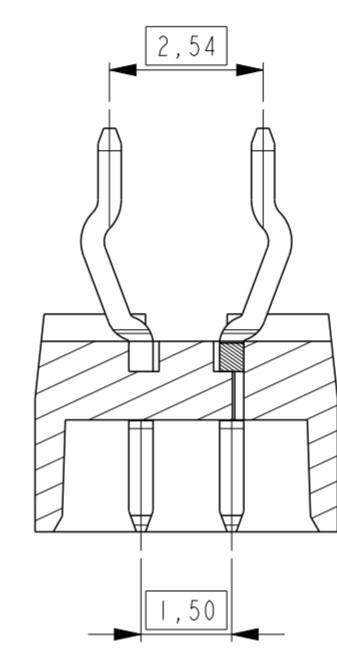
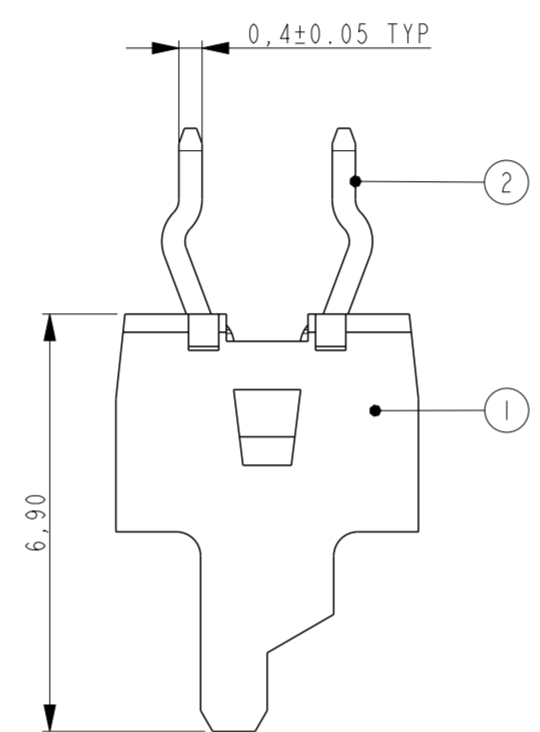
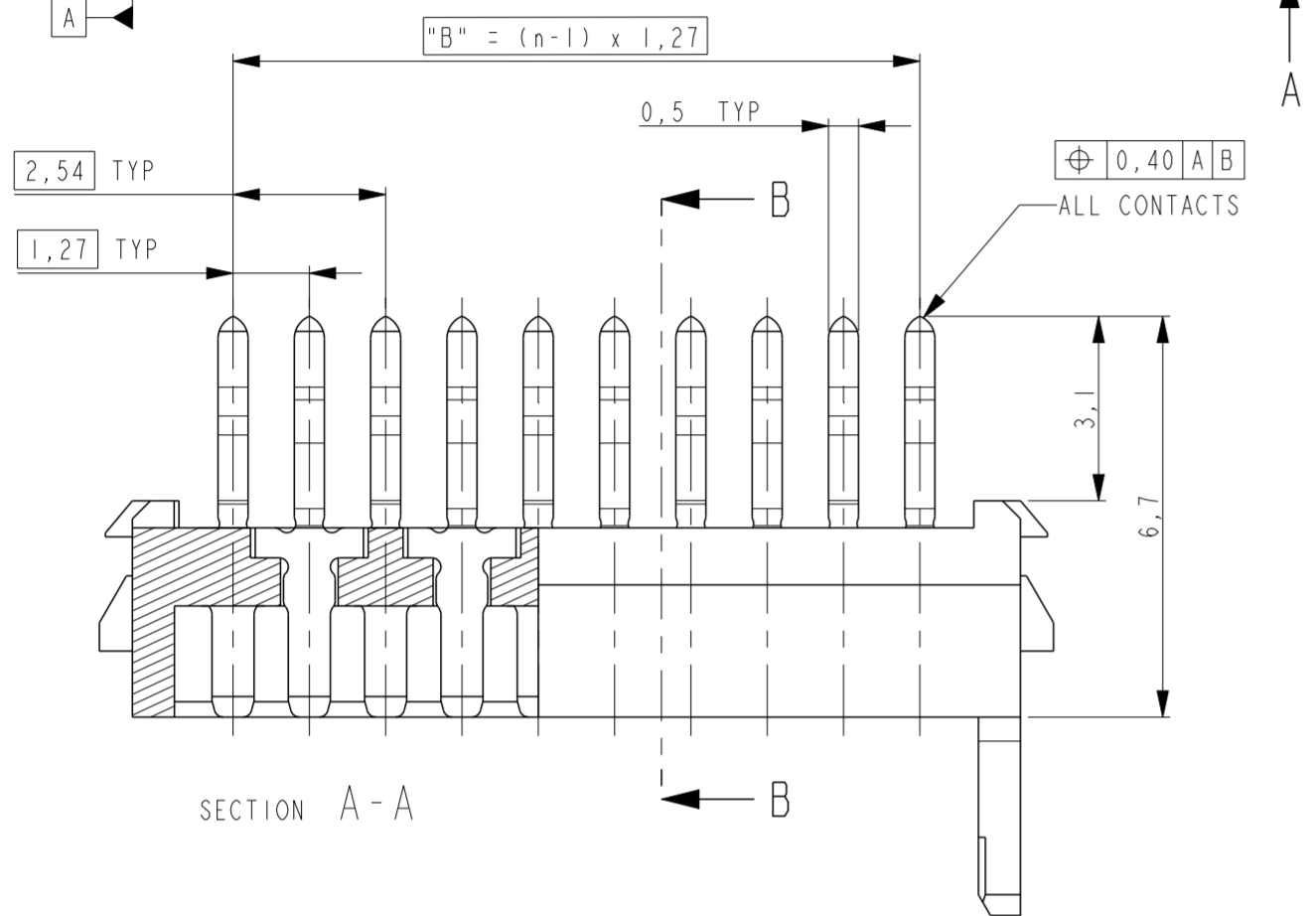
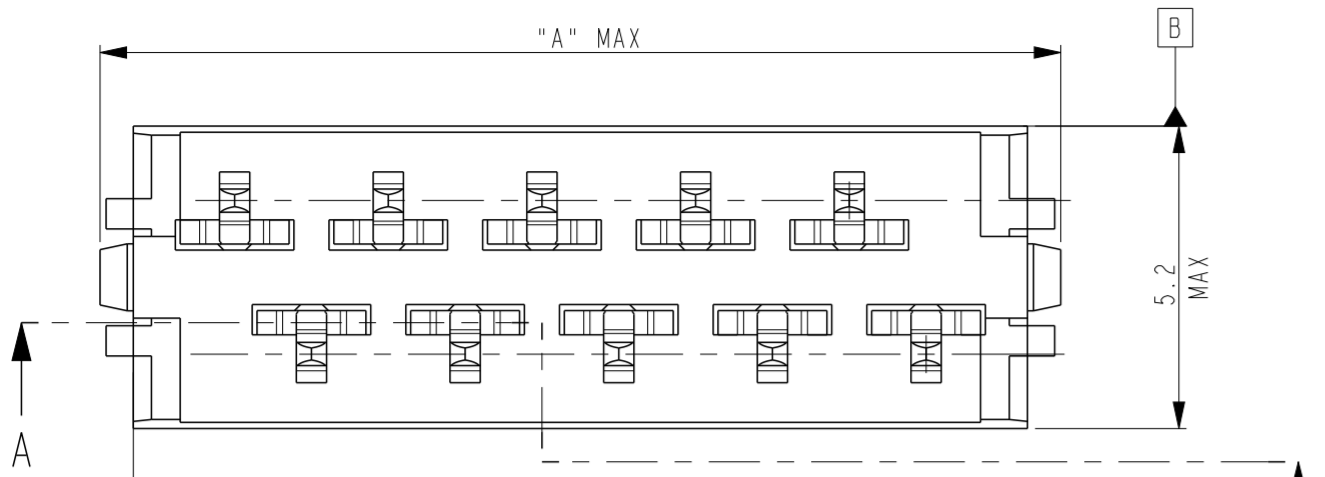


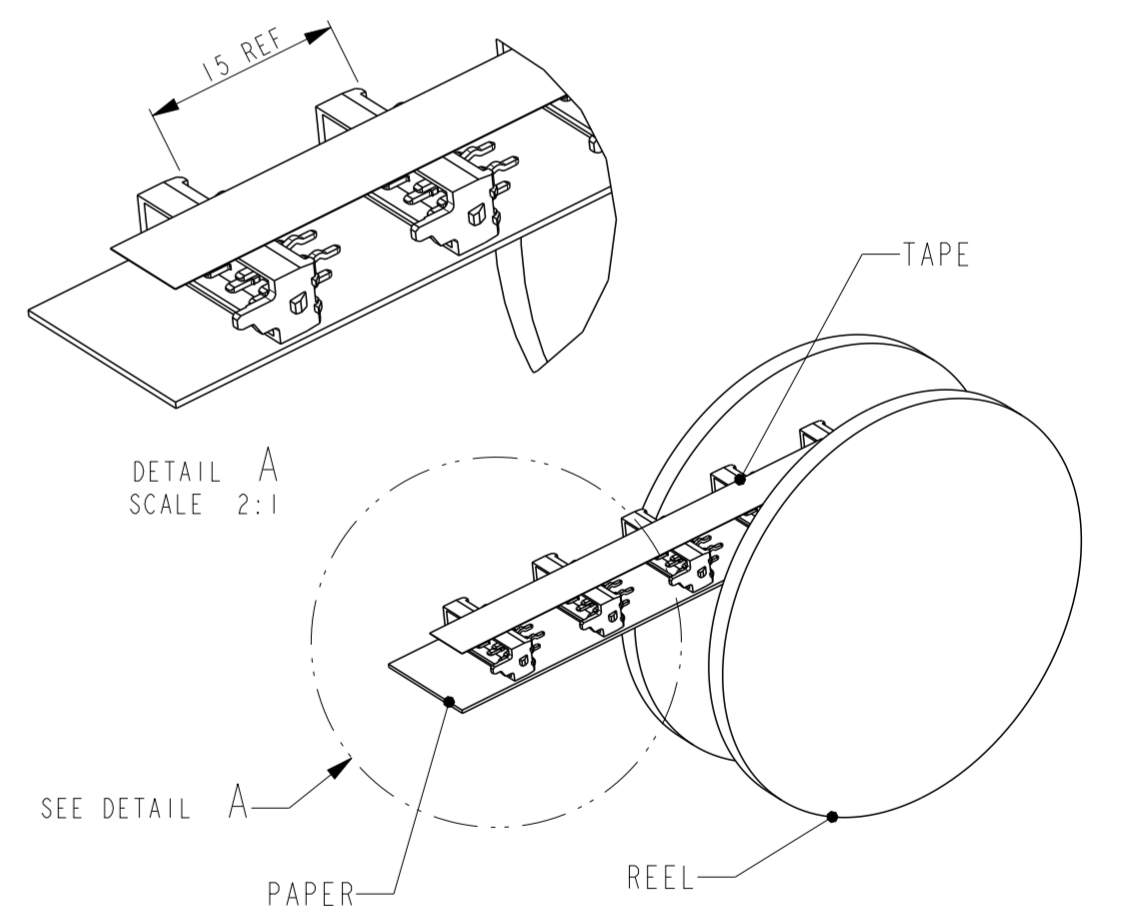
THIS DRAWING IS UNPUBLISHED. RELEASED FOR PUBLICATION
 © COPYRIGHT - ALL RIGHTS RESERVED.

| REVISIONS | | | | | | | |
|-----------|------|---|-----|---|-----------|-----|------|
| LOC | DIST | P | LTR | DESCRIPTION | DATE | DWN | APVD |
| H | - | R | | CONTACT MATERIAL CHANGED TO PHOSPHOR BRONZE | 13APR2018 | SS | PS |

| PART NUMBER REEL PACKAGING | PART NUMBER BOX PACKAGING | NUMBER OF POSITIONS | "A" MAX | "B" |
|----------------------------|---------------------------|---------------------|---------|-------|
| 0-215464-4 | 7-215464-4 | 4 | 8.3 | 3.81 |
| 0-215464-6 | 7-215464-6 | 6 | 10.9 | 6.35 |
| 0-215464-8 | 7-215464-8 | 8 | 13.4 | 8.89 |
| 1-215464-0 | 8-215464-0 | 10 | 15.9 | 11.43 |
| 1-215464-2 | 8-215464-2 | 12 | 18.5 | 13.97 |
| 1-215464-4 | 8-215464-4 | 14 | 21.0 | 16.51 |
| 1-215464-6 | 8-215464-6 | 16 | 24.0 | 19.05 |
| 1-215464-8 | 8-215464-8 | 18 | 26.1 | 21.59 |
| 2-215464-0 | 9-215464-0 | 20 | 28.6 | 24.13 |



SCALE 3:10
 BOX PACKAGING
 250 PARTNUMBERS PER BOX
 FOR ALL PARTNUMBERS.



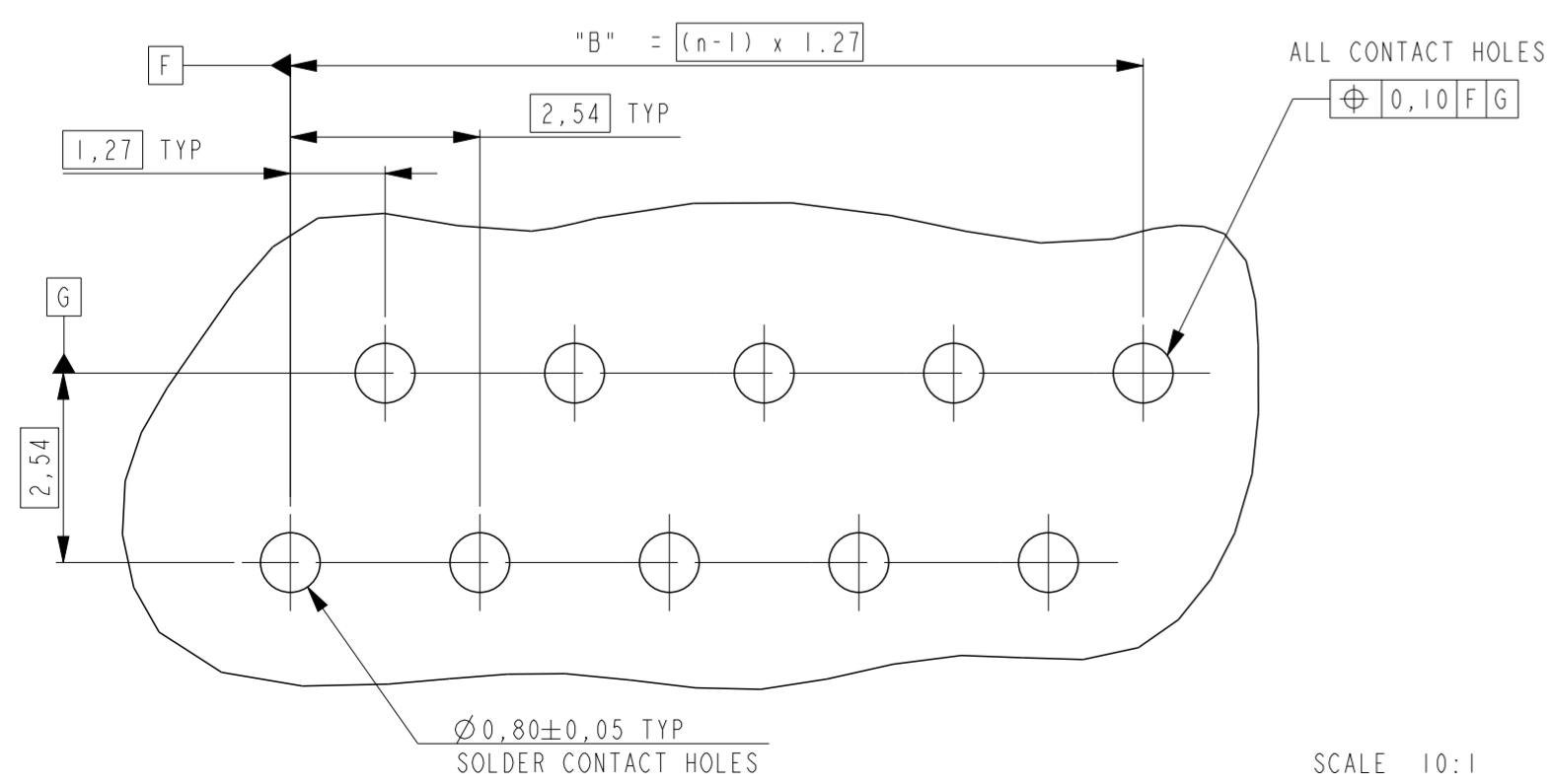
REEL PACKAGING
 DEREELING DIRECTION AND CONNECTOR POSITION
 2500 CONNECTORS PER REEL FOR ALL PART NUMBERS

SECTION A-A

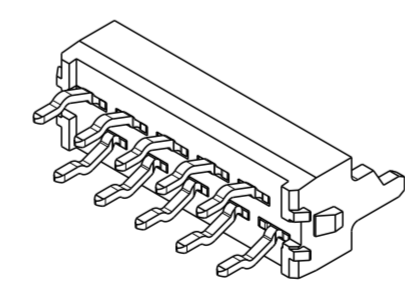
SECTION B-B

REFERENCE MATING INTERFACE PATTERN:
 1.27 STAGGERED PITCH x 1.5 ROW DISTANCE

PC-BOARD HOLE LAYOUT
 (COMPONENT SIDE OF BOARD SHOWN)



SCALE 10:1



SCALE 3:1

SHOWN IS A 10 POSITION
 CONNECTOR (1-215464-0).

| | |
|--|---|
| THIS DRAWING IS A CONTROLLED DOCUMENT. | |
| DIMENSIONS: mm | TOLERANCES UNLESS OTHERWISE SPECIFIED: ±0.20 |
| | 0 PLC ± 1 PLC ± 2 PLC ± 3 PLC ± 4 PLC ± ANGLES ± FINISH |
| MATERIAL SEE TABLE | SEE TABLE |

| | | | |
|------------------|----------------|---|------------------------------|
| 2 | MALE CONTACT | PHOSPHOR BRONZE | 3-5 μm Sn over 0.5 μm min Ni |
| 1 | HOUSING | G.F POLYESTER, PBT | RED |
| ITEM NO. | DESCRIPTION | MATERIAL | FINISH / COLOR |
| DWN | 15-04-1992 | TE Connectivity | |
| CHK | J. VAN DREUMEL | | |
| APVD | H. KOKKEN | NAME | |
| PRODUCT SPEC | 108-19052 | Micro-MaTch MALE-ON-BOARD LONG POST, POLARIZED | |
| APPLICATION SPEC | | SIZE | RESTRICTED TO |
| WEIGHT | | A2 00779 | |
| CUSTOMER DRAWING | | DRAWING NO | |
| | | G-215464 | |
| | | SCALE 8:1 | SHEET 1 OF 1 |
| | | | REV R |

X-ON Electronics

Largest Supplier of Electrical and Electronic Components

Click to view similar products for [Headers & Wire Housings](#) category:

Click to view products by [TE Connectivity](#) manufacturer:

Other Similar products are found below :

[892-18-020-10-001101](#) [58102-G61-06LF](#) [582553-1](#) [0009485154](#) [009176003701906](#) [0050291907](#) [LY20-4P-DT1-P1E-BR](#) [02.125.8002.8](#)
[609-3404](#) [61062-3](#) [61082-181009](#) [622-3653LF](#) [63453-116](#) [636-1030](#) [636-1427](#) [636-3427](#) [636-4007](#) [641938-9](#) [641991-4](#) [644827-2](#) [65817-010LF](#) [65817-015LF](#) [65863-015LF](#) [66207-023LF](#) [67095-007LF](#) [67601157](#) [68645-018](#) [68648-049](#) [70.362.1628.0](#) [70-4210](#) [70-4226B](#) [70-4853B](#) [707-5020](#) [707-5028](#) [71.350.2428.0](#) [71918-208LF](#) [71961-016LF](#) [733-134](#) [733-162](#) [754199-000](#) [760-3052](#) [787-8014-00](#) [79531-3000](#)
[FCN-360C032-B](#) [FCN-367T-T012/H](#) [FCN-723D010/2](#) [80.063.4001.1](#) [800-90-001-10-001000](#) [800-90-010-10-002000](#) [801-43-002-10-013000](#)