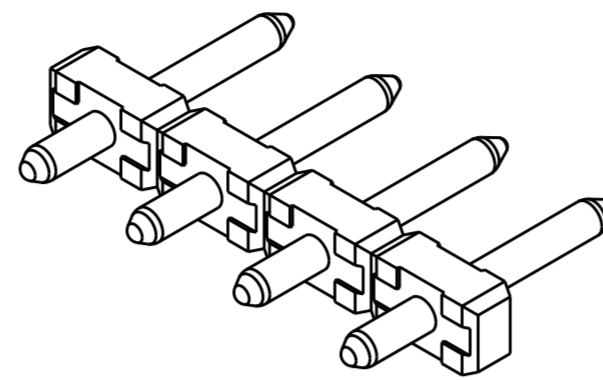
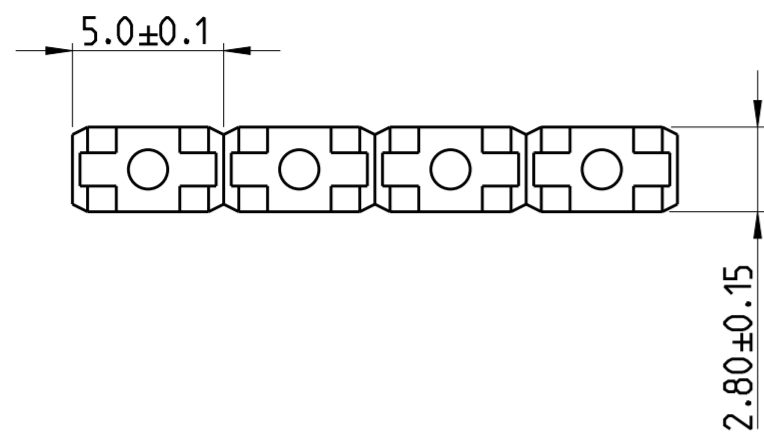
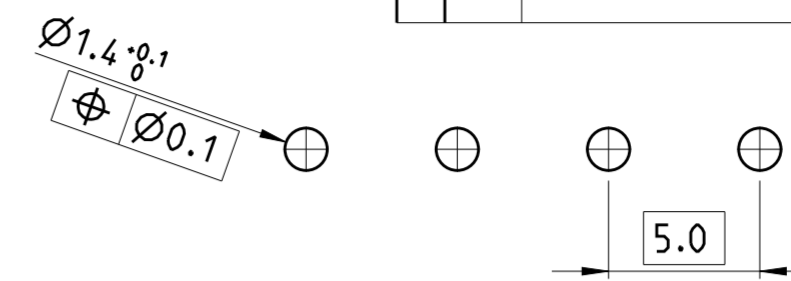


THIS DRAWING IS UNPUBLISHED. RELEASED FOR PUBLICATION 20
 (C) COPYRIGHT 20 ALL RIGHTS RESERVED.

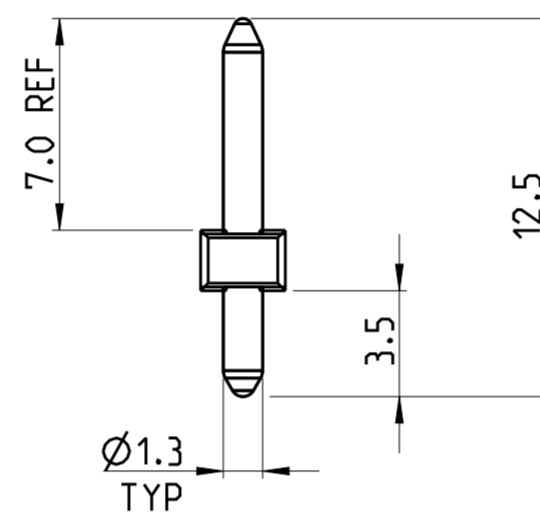
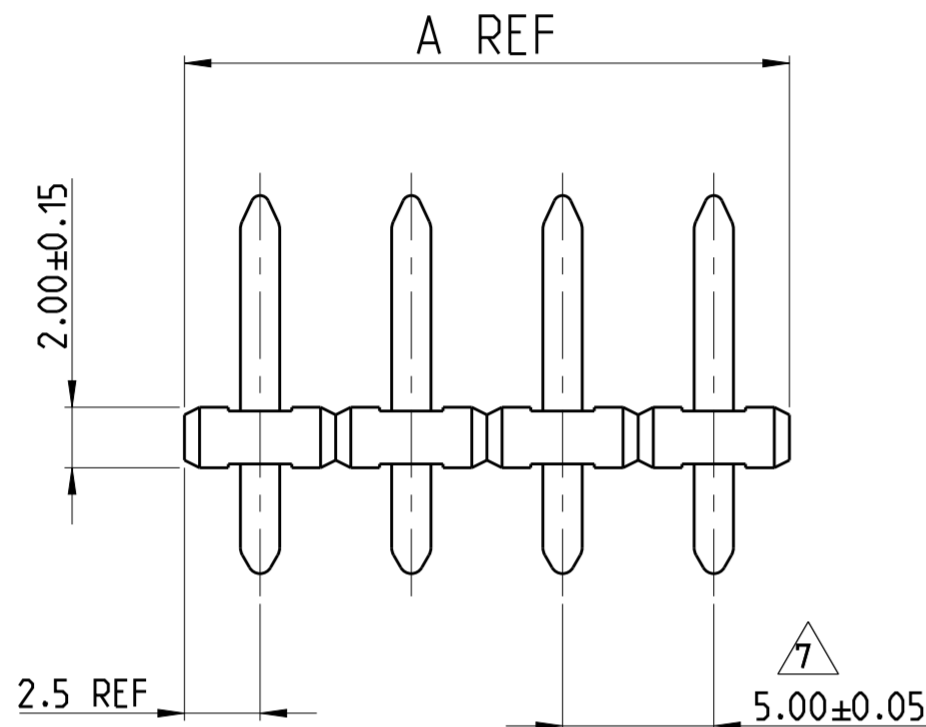
LOC	DIST	REVISIONS					
FT	0	P	LTR	DESCRIPTION	DATE	DWN	APVD
		A9		REVISED PER ECO-14-009593	01JUL2014	NK	MM
		A10		CORRECTION OF NOTES	08JUN2016	FP	NG



1546931-4 AS SHOWN



RECOMMENDED PC BOARD LAYOUT



PRELIMINARY	BLACK	TIN	TAPE AND REEL	55	11	3-1546931-5
PRELIMINARY	BLACK	TIN	TAPE AND REEL	45	9	3-1546931-4
	GRAY	TIN	-	45	9	3-1546931-3
	BLACK	TIN	TAPE AND REEL	15	3	3-1546931-2
PRELIMINARY	BLACK	TIN	TAPE AND REEL	10	2	3-1546931-1
OBSOLETE	BLACK	0.254um GOLD	-	10	2	3-1546931-0
	BLACK	TIN	TAPE AND REEL	25	5	2-1546931-9
	BLACK	TIN	TAPE AND REEL	20	4	2-1546931-8
OBSOLETE	BLACK	TIN	TUBES	25	5	2-1546931-7
OBSOLETE	BLACK	TIN	TUBES	20	4	2-1546931-6
	BLACK	TIN		125	25	2-1546931-5
	BLACK	TIN		120	24	2-1546931-4
	BLACK	TIN		115	23	2-1546931-3
	BLACK	TIN		110	22	2-1546931-2
	BLACK	TIN		105	21	2-1546931-1
	BLACK	TIN		100	20	2-1546931-0
	BLACK	TIN		95	19	1-1546931-9
	BLACK	TIN		90	18	1-1546931-8
	BLACK	TIN		85	17	1-1546931-7
	BLACK	TIN		80	16	1-1546931-6
	BLACK	TIN		75	15	1-1546931-5
	BLACK	TIN		70	14	1-1546931-4
	BLACK	TIN		65	13	1-1546931-3
	BLACK	TIN		60	12	1-1546931-2
OBSOLETE	BLACK	TIN		55	11	1-1546931-1
	BLACK	TIN		50	10	1-1546931-0
	BLACK	TIN		45	9	1546931-9
	BLACK	TIN		40	8	1546931-8
	BLACK	TIN		35	7	1546931-7
	BLACK	TIN		30	6	1546931-6
	BLACK	TIN		25	5	1546931-5
	BLACK	TIN		20	4	1546931-4
	BLACK	TIN		15	3	1546931-3
	BLACK	TIN		10	2	1546931-2
COLOR	PLATING	PACKAGING	A REF	NO OF POSN	PART NUMBER	

NOTES

- MATERIALS AND FINISH:
 HOUSING: HIGH TEMP PA, UL 94-V0. COLOR: SEE TABLE.
 TEMPERATURE RATING OF 260°C AT 1 MINUTE.
 TERMINAL: BRASS, TIN PLATED.
 - MECHANICAL
 MAX. INSERTION FORCE PER HOLE : 2 N
 MIN. WITHDRAWAL FORCE PER HOLE : 1.2 N
 MAX PC BOARD THICKNESS : 2.4mm
 MIN PC BOARD HOLE DIAMETER : 1.4mm
 - ELECTRICAL
 WIRE RANGE : 30 - 14 AWG
 MAX. VOLTAGE : 300 V
 MAX CURRENT : 12 A
 CONTACT RESISTANCE : < 15 m Ohm
 INSULATION RESISTANCE : > 1000 M Ohm (500V DC)
 - END-TO-END STACKABLE WITHOUT LOSS OF CENTERLINE SPACING.
 - RECOGNIZED UNDER THE COMPONENT PROGRAM OF UNDERWRITERS LABORATORIES INC. FILE N° E60677.
 - OPERATING TEMPERATURE RANGE: -40°C TO +110°C
- 7 NOT CUMULATIVE TOLERANCE.

THIS DRAWING IS A CONTROLLED DOCUMENT.

DWN S.WELDON 30JAN2004
 CHK C.RICHARD 30JAN2004
 APVD C.RICHARD 30JAN2004

STE TE Connectivity

NAME: TERMINAL BLOCK, PIN HEADER, UNSHROUDED, HIGH TEMPERATURE, 5.0mm PITCH

PRODUCT SPEC: 108-20166
 APPLICATION SPEC: 114-20079

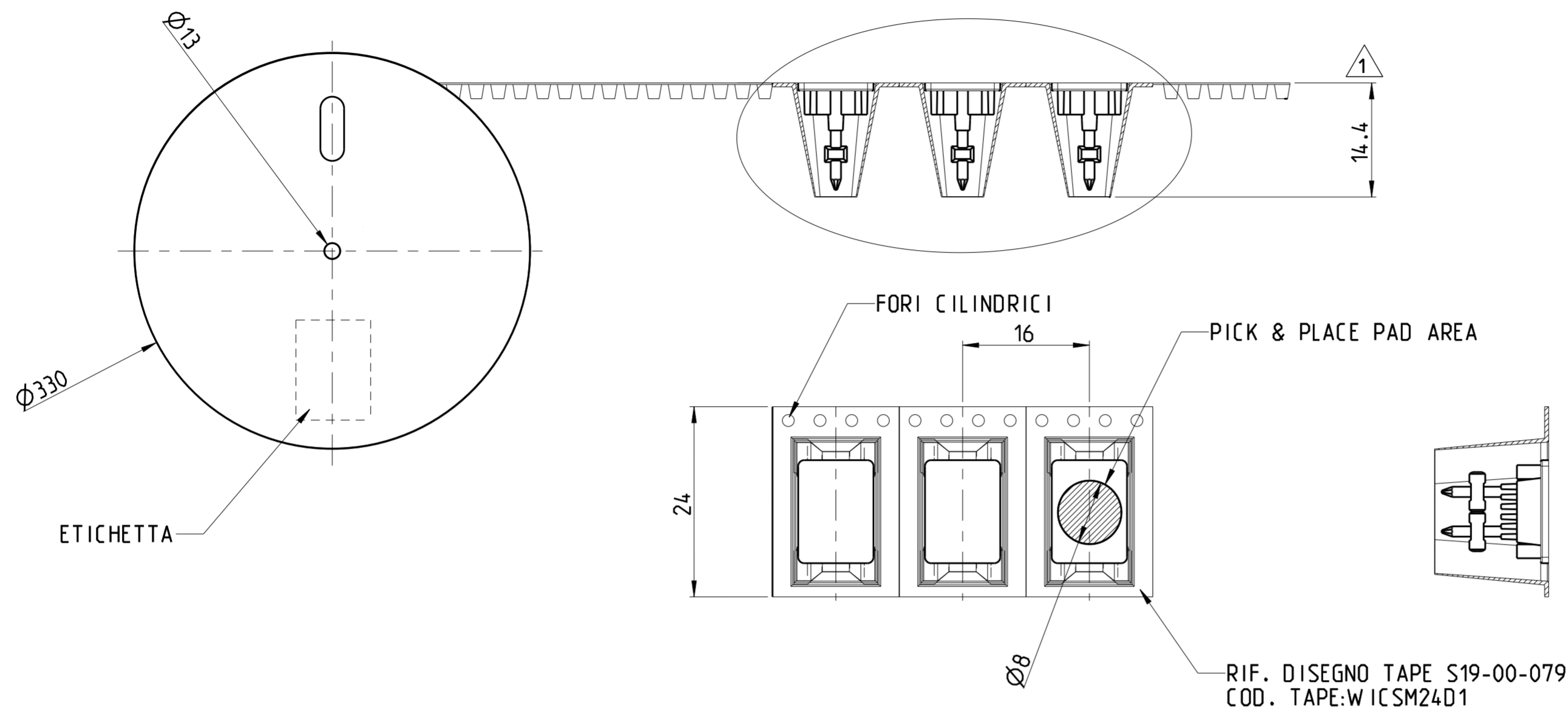
SIZE: A2 CAGE CODE: 00779 DRAWING NO: C-1546931 RESTRICTED TO: -

SCALE: 4:1 SHEET 1 OF 2 REV: A10

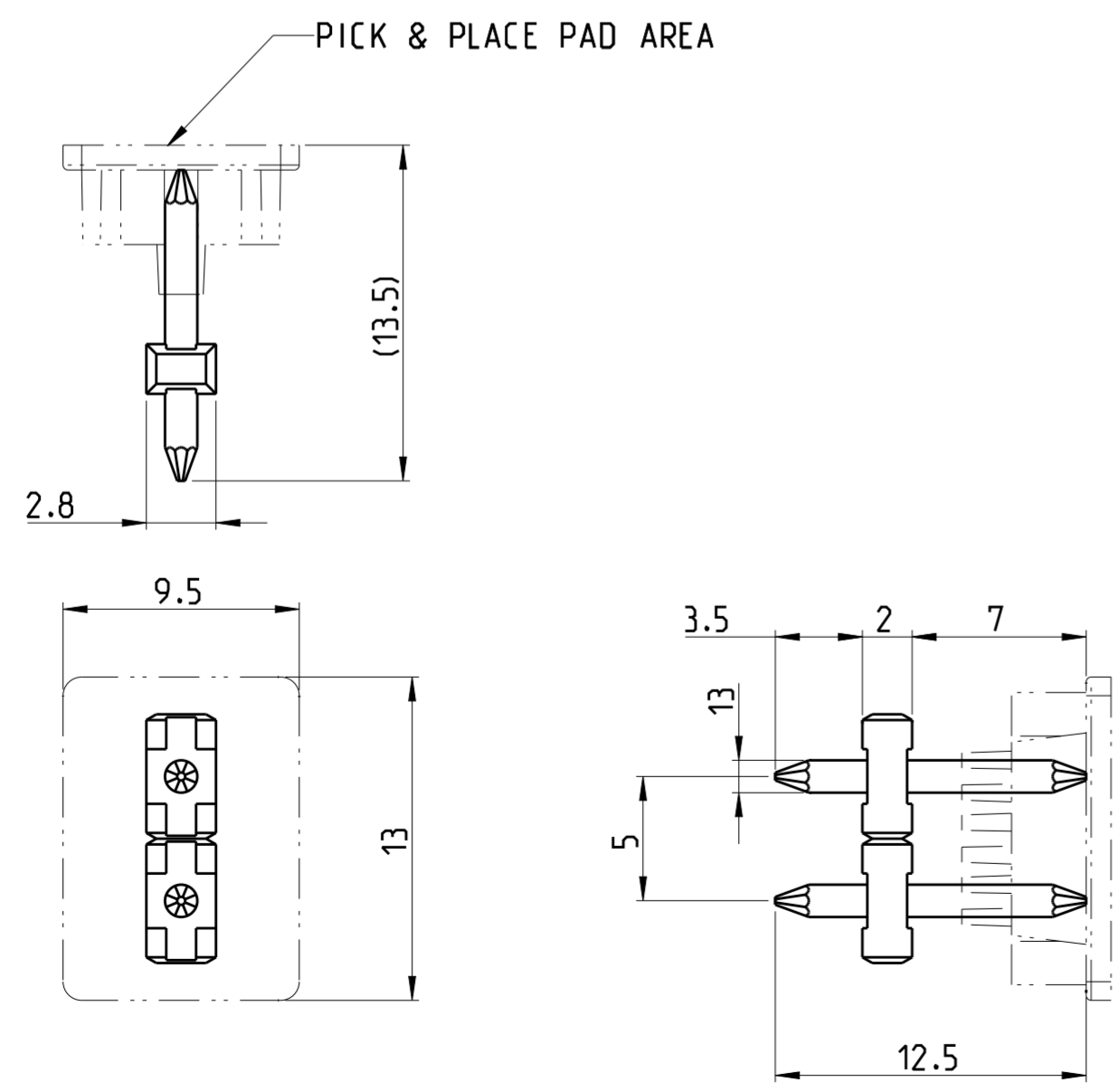
CUSTOMER DRAWING

THIS DRAWING IS UNPUBLISHED. RELEASED FOR PUBLICATION 20
 (C) COPYRIGHT 20 ALL RIGHTS RESERVED.

LOC	DIST	REVISIONS					
FT	0	P	LTR	DESCRIPTION	DATE	DWN	APVD
		-		SEE SHEET 1	-	-	-



NOTE:
300 PCS PER REEL



THIS DRAWING IS A CONTROLLED DOCUMENT.		DWN S. WELDON 30 JAN 2004	STE TE Connectivity	
DIMENSIONS: mm		CHK C. RICHARD 30 JAN 2004		
TOLERANCES UNLESS OTHERWISE SPECIFIED:		APVD C. RICHARD 30 JAN 2004	NAME	
0 PLC \pm		PRODUCT SPEC	TERMINAL BLOCK, PIN HEADER, UNSHROUDED, HIGH TEMPERATURE, 5.0mm PITCH	
1 PLC ± 0.3		APPLICATION SPEC	SIZE	CAGE CODE
2 PLC ± 0.25		114-20079	A2	00779
3 PLC \pm		WEIGHT	DRAWING NO	RESTRICTED TO
4 PLC \pm		-	C-1546931	-
ANGLES $\pm 2^\circ$		CUSTOMER DRAWING		
FINISH		SCALE	SHEET	REV
		4:1	2 OF 2	A10

X-ON Electronics

Largest Supplier of Electrical and Electronic Components

Click to view similar products for [Pluggable Terminal Blocks](#) category:

Click to view products by [TE Connectivity](#) manufacturer:

Other Similar products are found below :

[57.510.0053](#) [MC 1.5/ 6-ST-3.5 GY AU](#) [ET02015000J0G](#) [734-104](#) [734-302](#) [8-141-P](#) [8426620000](#) [860505](#) [860516](#) [860810](#) [GBPACX-12](#)
[93.731.4953.0](#) [PV05-5,08-K](#) [PVP03-3,50](#) [PVP04-3,50](#) [PVS02-5,00](#) [1-1986160-3](#) [1377680000](#) [1531000000](#) [1546228-5](#) [ELFH16150](#)
[ELFP03110](#) [ELFP10210](#) [ELFT06250](#) [ELVP03100](#) [1700101](#) [1700410](#) [1700425](#) [1702246](#) [1705229](#) [1710175](#) [1714537](#) [1717806](#) [1719600](#)
[1728941](#) [1734692](#) [1734795](#) [1736036](#) [1740194](#) [1740628](#) [1740990](#) [1746952](#) [1750207](#) [1752441](#) [1752865](#) [1754115](#) [1754144](#) [1756913](#)
[1760051](#) [1760336](#)