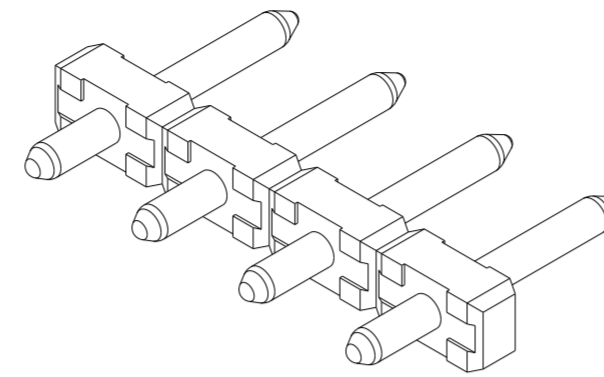
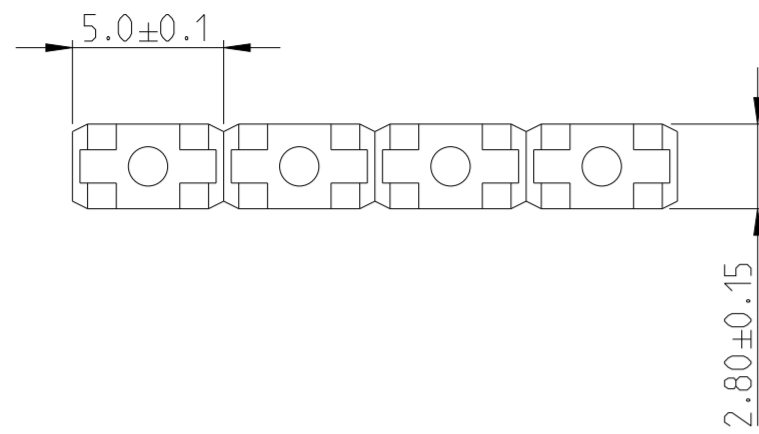
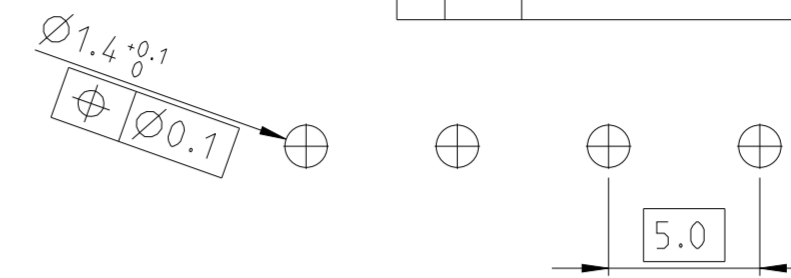


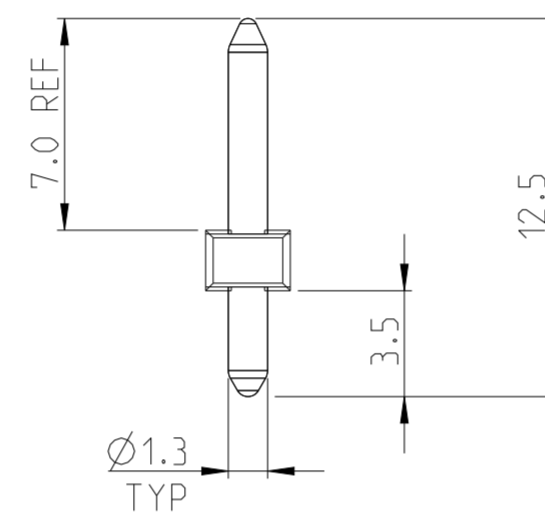
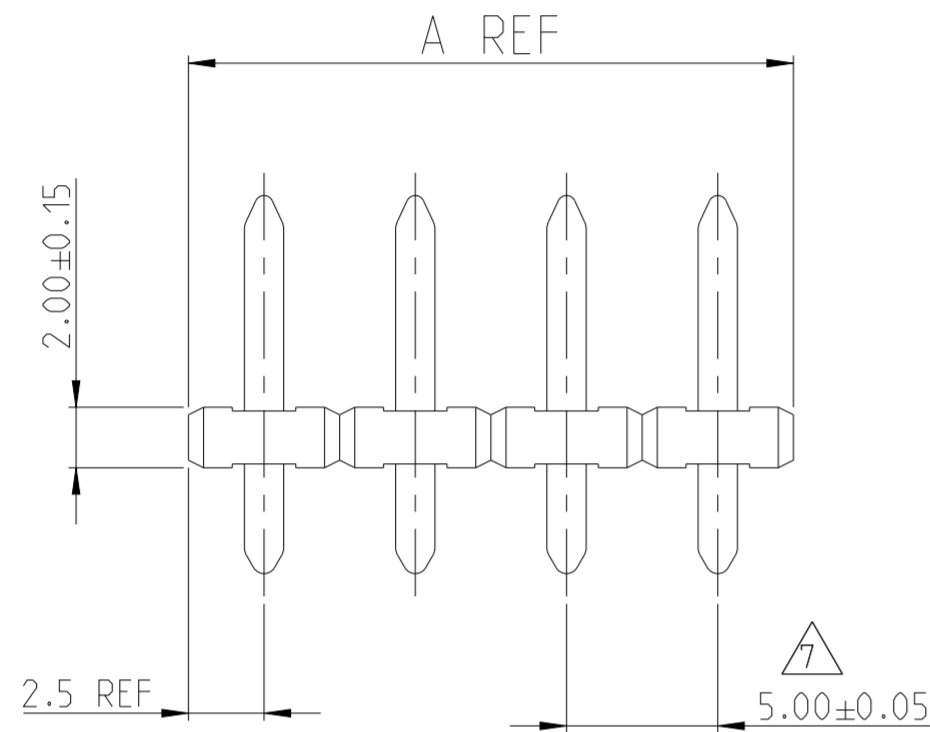
| P | LTR | DESCRIPTION | DATE | DWN | APVD |
|-----|-----|---------------------------|-----------|-----|------|
| A9 | | REVISED PER ECO-14-009593 | 01JUL2014 | NK | MM |
| A10 | | CORRECTION OF NOTES | 08JUN2016 | FP | NG |
| A11 | | PART STATUS UPDATED | 07JUL2021 | SB | SS |



1546931-4 AS SHOWN



RECOMMENDED PC BOARD LAYOUT



| OBSOLETE | BLACK | TIN | TAPE AND REEL | 55 | 11 | 3-1546931-5 |
|----------|---------|--------------|---------------|------------|-------------|------------------------|
| OBSOLETE | BLACK | TIN | TAPE AND REEL | 45 | 9 | 3-1546931-4 |
| OBSOLETE | GRAY | TIN | - | 45 | 9 | 3-1546931-3 |
| | BLACK | TIN | TAPE AND REEL | 15 | 3 | 3-1546931-2 |
| OBSOLETE | BLACK | TIN | TAPE AND REEL | 10 | 2 | 3-1546931-1 |
| OBSOLETE | BLACK | 0.254um GOLD | - | 10 | 2 | 3-1546931-0 |
| | BLACK | TIN | TAPE AND REEL | 25 | 5 | 2-1546931-9 |
| | BLACK | TIN | TAPE AND REEL | 20 | 4 | 2-1546931-8 |
| OBSOLETE | BLACK | TIN | TUBES | 25 | 5 | 2-1546931-7 |
| OBSOLETE | BLACK | TIN | TUBES | 20 | 4 | 2-1546931-6 |
| | BLACK | TIN | | 125 | 25 | 2-1546931-5 |
| | BLACK | TIN | | 120 | 24 | 2-1546931-4 |
| | BLACK | TIN | | 115 | 23 | 2-1546931-3 |
| | BLACK | TIN | | 110 | 22 | 2-1546931-2 |
| | BLACK | TIN | | 105 | 21 | 2-1546931-1 |
| | BLACK | TIN | | 100 | 20 | 2-1546931-0 |
| | BLACK | TIN | | 95 | 19 | 1-1546931-9 |
| | BLACK | TIN | | 90 | 18 | 1-1546931-8 |
| | BLACK | TIN | | 85 | 17 | 1-1546931-7 |
| | BLACK | TIN | | 80 | 16 | 1-1546931-6 |
| | BLACK | TIN | | 75 | 15 | 1-1546931-5 |
| | BLACK | TIN | | 70 | 14 | 1-1546931-4 |
| | BLACK | TIN | | 65 | 13 | 1-1546931-3 |
| | BLACK | TIN | | 60 | 12 | 1-1546931-2 |
| OBSOLETE | BLACK | TIN | | 55 | 11 | 1-1546931-1 |
| | BLACK | TIN | | 50 | 10 | 1-1546931-0 |
| | BLACK | TIN | | 45 | 9 | 1546931-9 |
| | BLACK | TIN | | 40 | 8 | 1546931-8 |
| | BLACK | TIN | | 35 | 7 | 1546931-7 |
| | BLACK | TIN | | 30 | 6 | 1546931-6 |
| | BLACK | TIN | | 25 | 5 | 1546931-5 |
| | BLACK | TIN | | 20 | 4 | 1546931-4 |
| | BLACK | TIN | | 15 | 3 | 1546931-3 |
| | BLACK | TIN | | 10 | 2 | 1546931-2 |
| COLOR | PLATING | PACKAGING | A REF | NO OF POSN | PART NUMBER | |

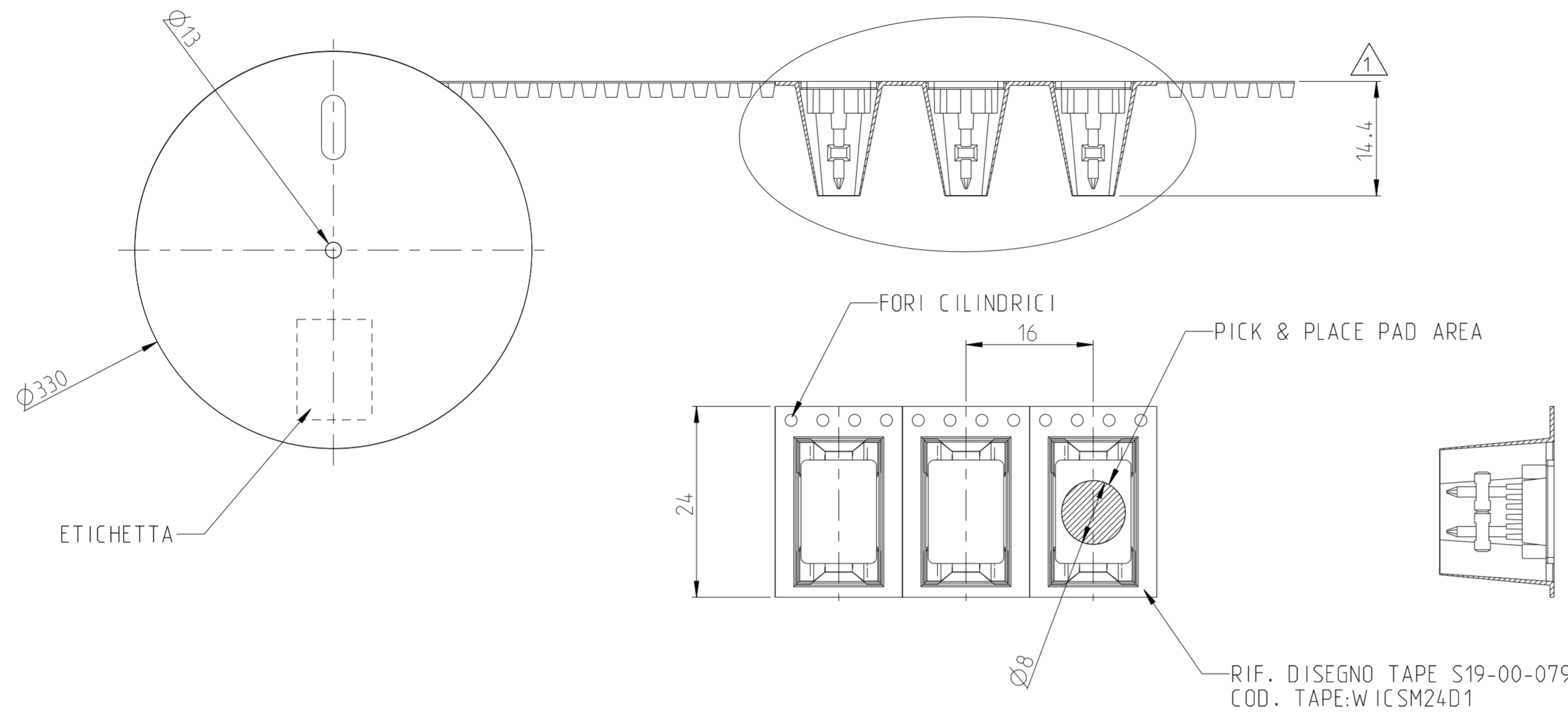
NOTES

- MATERIALS AND FINISH:
HOUSING: HIGH TEMP PA, UL 94-V0, COLOR: SEE TABLE.
TEMPERATURE RATING OF 260°C AT 1 MINUTE.
TERMINAL: BRASS, TIN PLATED.
 - MECHANICAL
MAX. INSERTION FORCE PER HOLE : 2 N
MIN. WITHDRAWAL FORCE PER HOLE : 1.2 N
MAX PC BOARD THICKNESS : 2.4mm
MIN PC BOARD HOLE DIAMETER : 1.4mm
 - ELECTRICAL
WIRE RANGE : 30 - 14 AWG
MAX. VOLTAGE : 300 V
MAX CURRENT : 12 A
CONTACT RESISTANCE : < 15 m Ohm
INSULATION RESISTANCE : > 1000 M Ohm (500V DC)
 - END-TO-END STACKABLE WITHOUT LOSS OF CENTERLINE SPACING.
 - RECOGNIZED UNDER THE COMPONENT PROGRAM OF UNDERWRITERS LABORATORIES INC. FILE N° E60677.
 - OPERATING TEMPERATURE RANGE: -40°C TO +110°C
- NOT CUMULATIVE TOLERANCE.

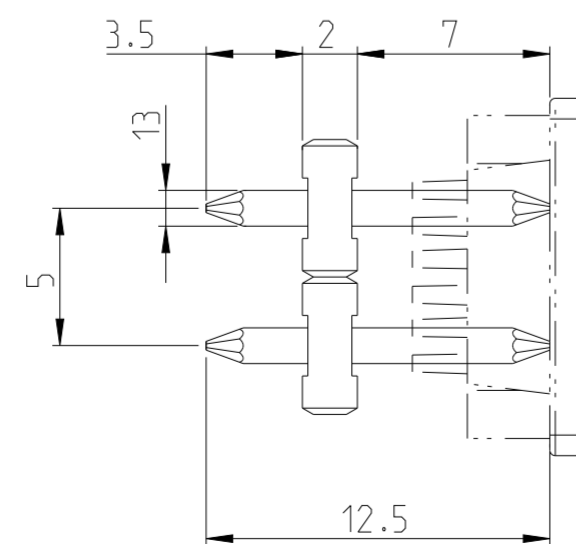
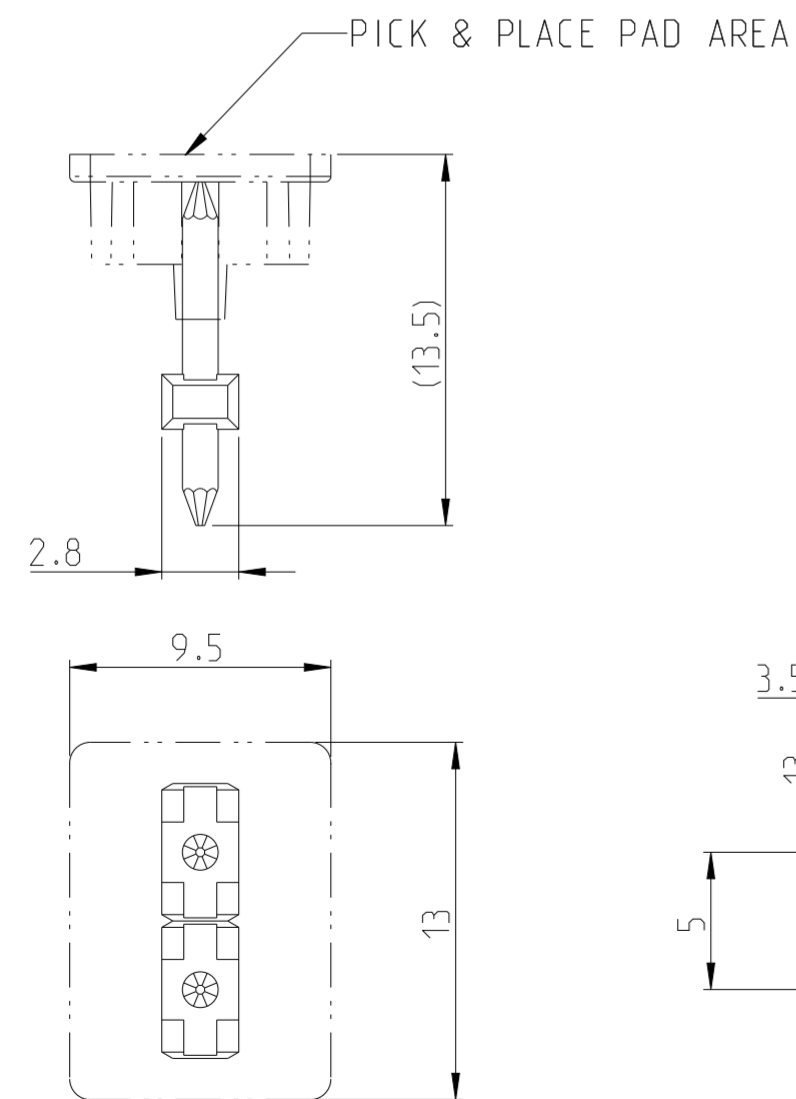
THIS DRAWING IS A CONTROLLED DOCUMENT.

| | | | |
|------------------|--|----------------------------|--|
| DIMENSIONS: mm | TOLERANCES UNLESS OTHERWISE SPECIFIED: | DWN S.WELDON 30JAN2004 | TE Connectivity |
| | | CHK C.RICHARD 30JAN2004 | |
| | | APVD C.RICHARD 30JAN2004 | |
| | | PRODUCT SPEC 108-20166 | |
| | | APPLICATION SPEC 114-20079 | NAME TERMINAL BLOCK, PIN HEADER, UNSHROUDED, HIGH TEMPERATURE, 5.0mm PITCH |
| MATERIAL | FINISH | WEIGHT | SIZE A2 |
| | | | CAGE CODE 00779 |
| | | | DRAWING NO C-1546931 |
| CUSTOMER DRAWING | | | RESTRICTED TO |
| SCALE 4:1 | | | SHEET 1 OF 2 |
| | | | REV A11 |

| P | LTR | DESCRIPTION | DATE | DWN | APVD |
|---|-----|-------------|------|-----|------|
| - | | SEE SHEET 1 | - | - | - |
| | | | | | |
| | | | | | |



NOTE:
300 PCS PER REEL



| | | | | | |
|--|--|--|-----------|---|--|
| THIS DRAWING IS A CONTROLLED DOCUMENT. | | DWN S. WELDON | 30JAN2004 | STE TE Connectivity | |
| | | CHK C. RICHARD | 30JAN2004 | | |
| | | APVD C. RICHARD | 30JAN2004 | NAME TERMINAL BLOCK, PIN HEADER, UNSHROUDED, HIGH TEMPERATURE, 5.0mm PITCH | |
| DIMENSIONS: mm | | TOLERANCES UNLESS OTHERWISE SPECIFIED: | | PRODUCT SPEC 108-20166 | |
| | | 0 PLC ± | | APPLICATION SPEC 114-20079 | |
| | | 1 PLC ±0.3 | | SIZE A2 | |
| | | 2 PLC ±0.25 | | CAGE CODE 00779 | |
| | | 3 PLC ± | | DRAWING NO C-1546931 | |
| | | 4 PLC ± | | RESTRICTED TO | |
| | | ANGLES ±2° | | SCALE 4:1 | |
| MATERIAL | | FINISH | | SHEET 2 OF 2 | |
| | | | | REV. A11 | |
| CUSTOMER DRAWING | | | | | |

X-ON Electronics

Largest Supplier of Electrical and Electronic Components

Click to view similar products for [Pluggable Terminal Blocks](#) category:

Click to view products by [TE Connectivity](#) manufacturer:

Other Similar products are found below :

[57.510.0053](#) [MC 1.5/ 6-ST-3.5 GY AU](#) [ET02015000J0G](#) [734-104](#) [734-302](#) [8-141-P](#) [8426620000](#) [860505](#) [860516](#) [860810](#) [GBPACX-12](#)
[PV05-5,08-K](#) [PVP02-5,00](#) [PVP03-3,50](#) [PVP04-3,50](#) [PVS02-5,00](#) [1-1986160-3](#) [1377680000](#) [1531000000](#) [1546228-5](#) [ELFH16150](#)
[ELFP03110](#) [ELFP10210](#) [ELFT06250](#) [ELVP03100](#) [1700101](#) [1700410](#) [1700425](#) [1702246](#) [1705229](#) [1710175](#) [1714537](#) [1717806](#) [1719600](#)
[1728941](#) [1734692](#) [1734795](#) [1736036](#) [1740194](#) [1740628](#) [1740990](#) [1746952](#) [1750207](#) [1752441](#) [1752865](#) [1754115](#) [1754144](#) [1756913](#)
[1760051](#) [1760336](#)