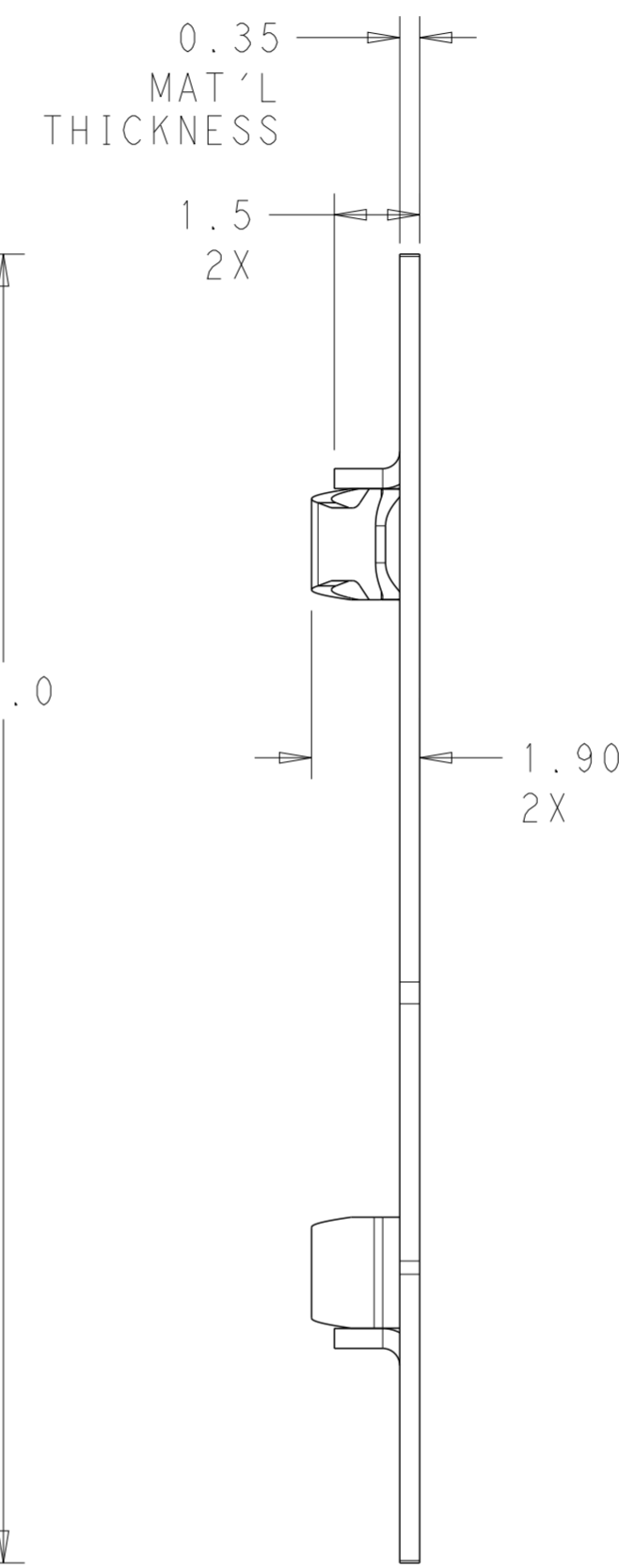
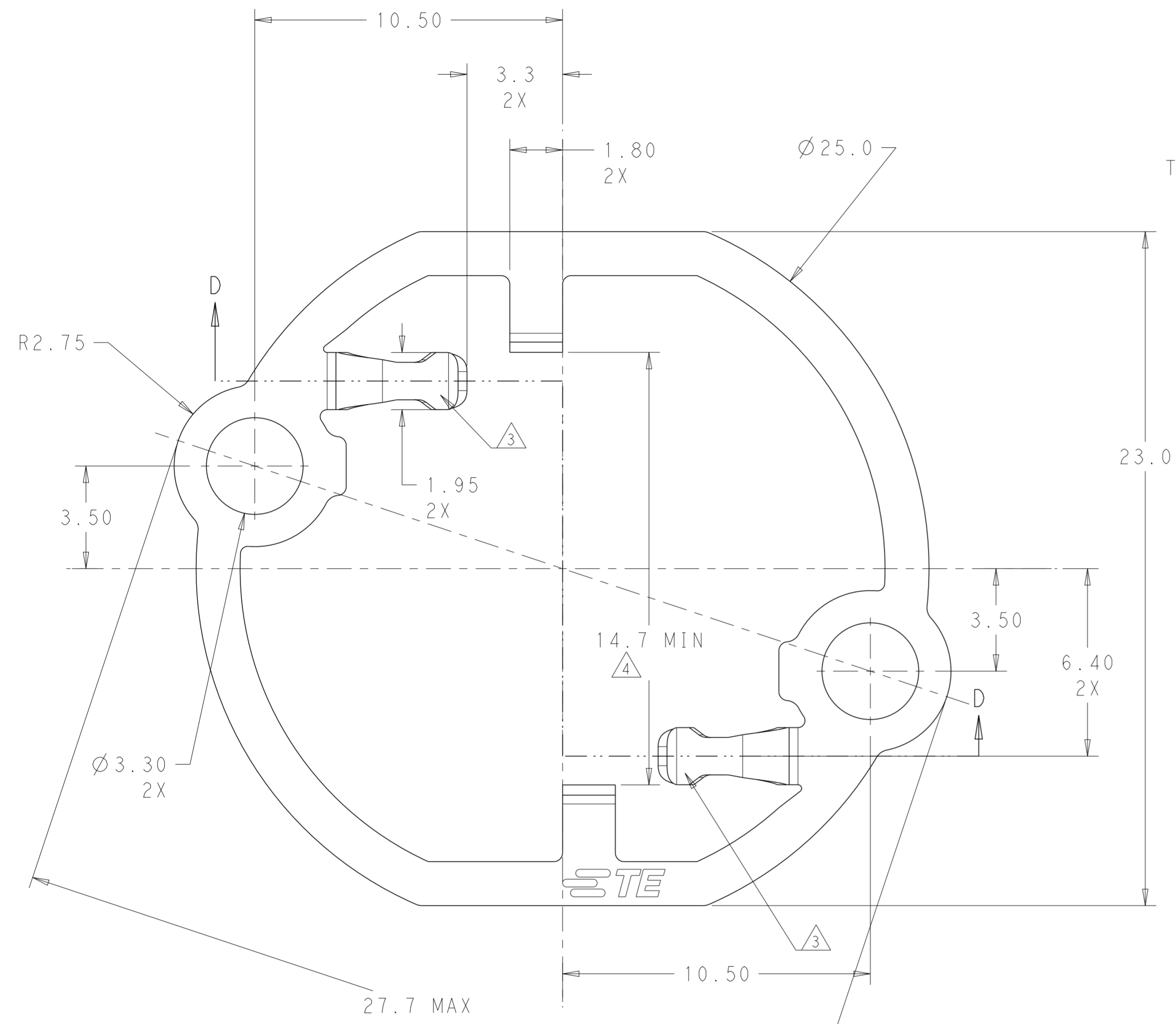
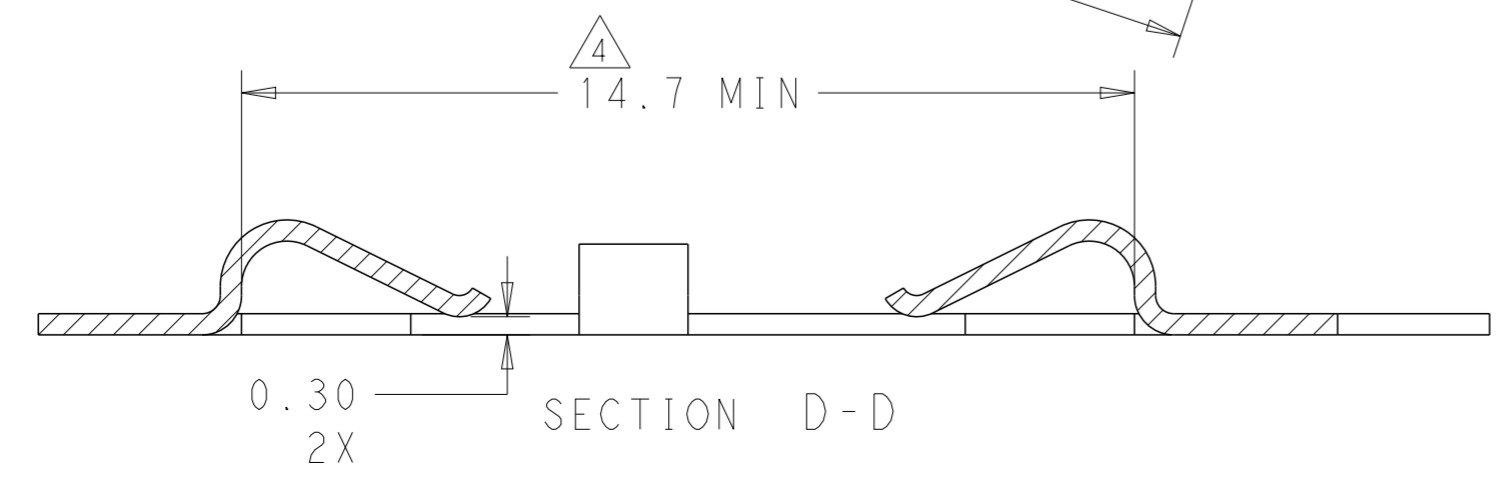


THIS DRAWING IS UNPUBLISHED. RELEASED FOR PUBLICATION 20  
 © COPYRIGHT 20 BY - ALL RIGHTS RESERVED.

| LOC |     | DIST                      |           | REVISIONS |      |  |  |
|-----|-----|---------------------------|-----------|-----------|------|--|--|
| P   | LTR | DESCRIPTION               | DATE      | DWN       | APVD |  |  |
|     | A   | REVISED PER ECO-12-020971 | 05DEC2012 | KH        | PO   |  |  |



- NOTES:
- 1 MATERIAL: STAINLESS STEEL
  - 2. MUST COMPLY WITH DIRECTIVE 2002/95/EC (ROHS)
  - 3 MECHANICAL FORCE APPLIED ON LED SUBSTRATE AT LOCATIONS SHOWN. REFER TO TE SPECIFICATION 108-133002 FOR TYPICAL FORCE VALUES.
  - 4 LOCATES LED SUBSTRATE
  - 5. RECOMENDED SCREW SIZE: M3 OR #4 TORQUE TO 2.5 in-lbf TO 4.0 in-lbf
  - 6. THERMAL SPRING DESIGNED TO INTERFACE WITH PHILIPS LUMILEDS LUXEON H 100V AND 200V ARRAY LEDS



2154821-1  
PART NO.

|  |  |                               |           |  |  |
|--|--|-------------------------------|-----------|--|--|
| THIS DRAWING IS A CONTROLLED DOCUMENT.   |  | DWN<br>C. DAILY               | 15FEB2012 | TE Connectivity                                |  |
| DIMENSIONS: mm   |  | CHK<br>M. STOLLER             | 15FEB2012 |  |  |
| TOLERANCES UNLESS OTHERWISE SPECIFIED:   |  | APVD<br>-                     | 15FEB2012 |  |  |
| 0 PLC ±<br>1 PLC ±0.2<br>2 PLC ±0.13<br>3 PLC ±<br>4 PLC ±<br>ANGLES ±3°<br>FINISH |  | NAME<br>LED HOLDER TYPE LH    |           | PRODUCT SPEC<br>108-133002                     |  |
| MATERIAL 1   |  | APPLICATION SPEC<br>114-32042 |           | SIZE CAGE CODE DRAWING NO<br>A200779 C-2154821 |  |
| Customer Drawing   |  | WEIGHT -                      |           | RESTRICTED TO -                                |  |
|  |  | SCALE 8:1                     |           | SHEET 1 OF 1 REV A                             |  |

## X-ON Electronics

Largest Supplier of Electrical and Electronic Components

*Click to view similar products for [LED Lighting Mounting Accessories](#) category:*

*Click to view products by [TE Connectivity](#) manufacturer:*

Other Similar products are found below :

[C16142\\_HEKLA-SOCKET-K](#) [3SU1401-1BG20-1AA0](#) [3SU1900-0BC31-0NB0](#) [ES16-RT](#) [1SFA616921R2042](#) [1SFA616921R2131](#)  
[1SFA616921R2133](#) [1SFA616921R2143](#) [1SFA611621R1093](#) [B8910020](#) [D3980022](#) [E3990022](#) [E3990040](#) [CABI12 E BK 1M SET PRM](#)  
[FLAT8 H/U BK 1M SET PRM](#) [BEGTIN12 J/S BK 1M SET PRM](#) [1-2213678-6](#) [C16791\\_CLAMP-Z45-A](#) [F17250\\_SOLDER-CLIP-A](#) [CM22-](#)  
[4-20MA](#) [CM22-R10K-MT](#) [CM22-R1K](#) [CM22-R50K](#) [CM22-R5K-MT](#) [CM22-SLR](#) [10465](#) [M22-A](#) [M22-CK11](#) [M22-CK20](#) [M22G-XGPV](#)  
[M22-K01](#) [M22-LCH-W](#) [M22-LC-R](#) [M22-LED230-R](#) [M22-LED230-W](#) [M22-LEDC230-G](#) [M22-LEDC-G](#) [M22-LEDC-W](#) [M22-LED-G](#)  
[M22-LED-W](#) [M22-L-G](#) [M22-LH-G](#) [M22-LH-R](#) [M22-LH-W](#) [M22-L-R](#) [M22-L-W](#) [M22-L-X](#) [M22-MS](#) [M22-R10K](#) [M22-R1K](#)