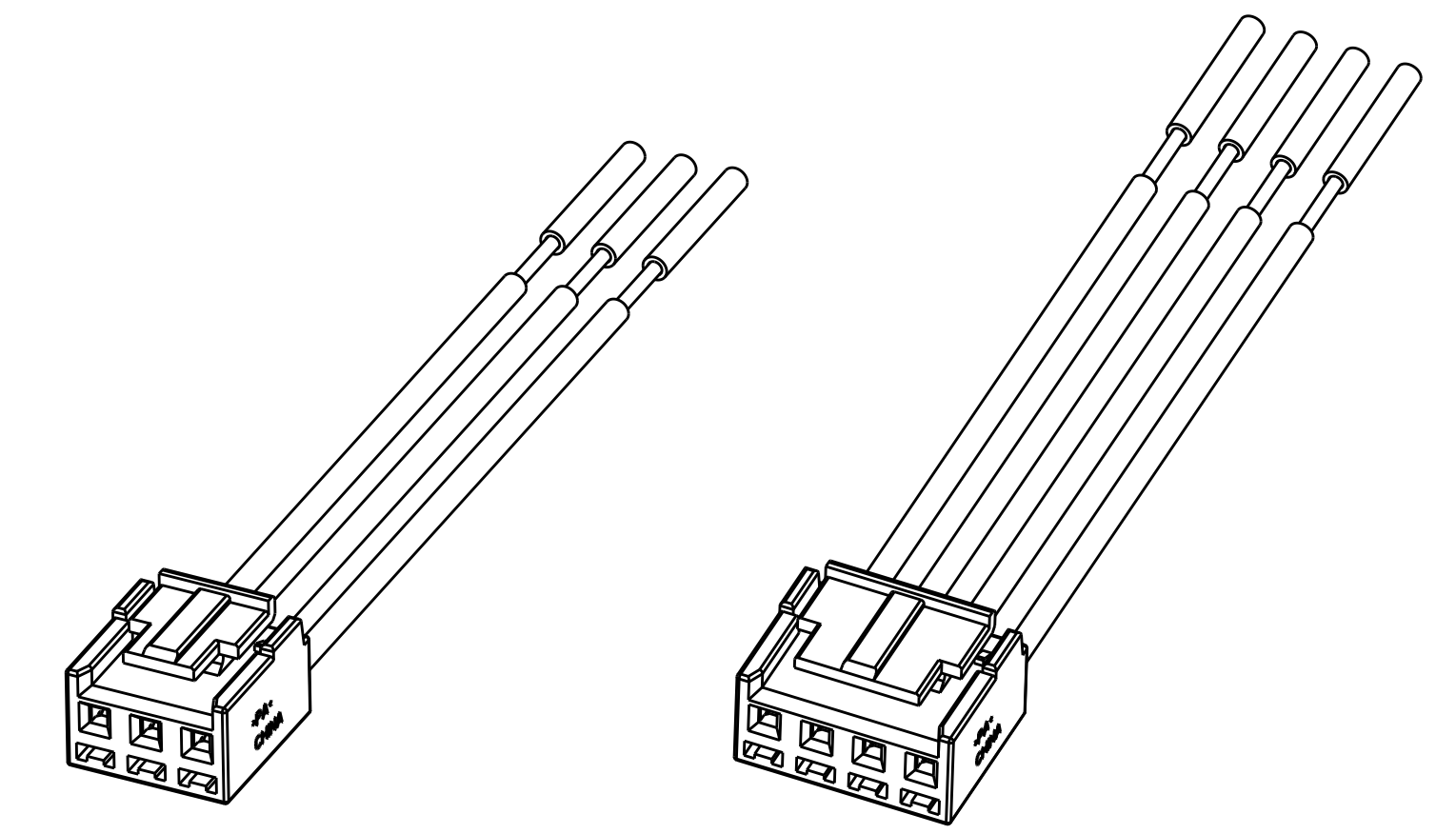
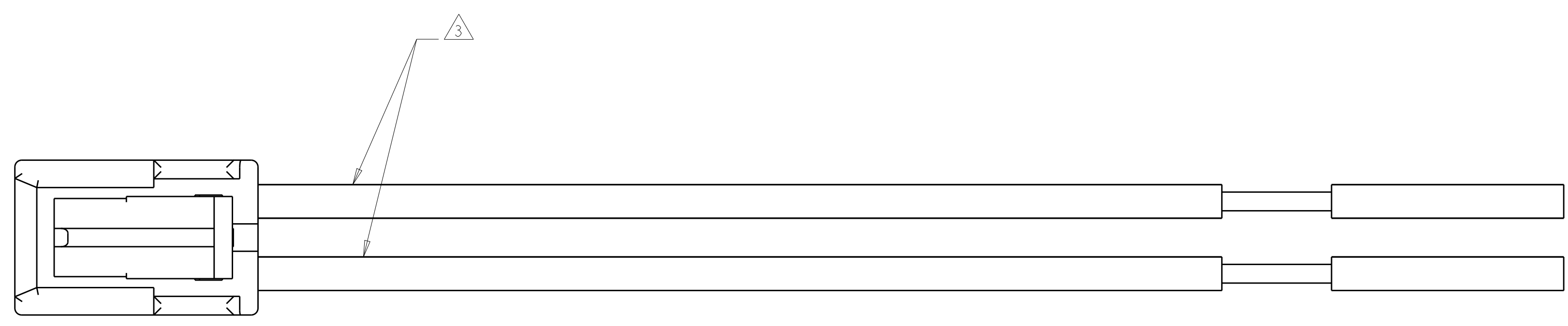
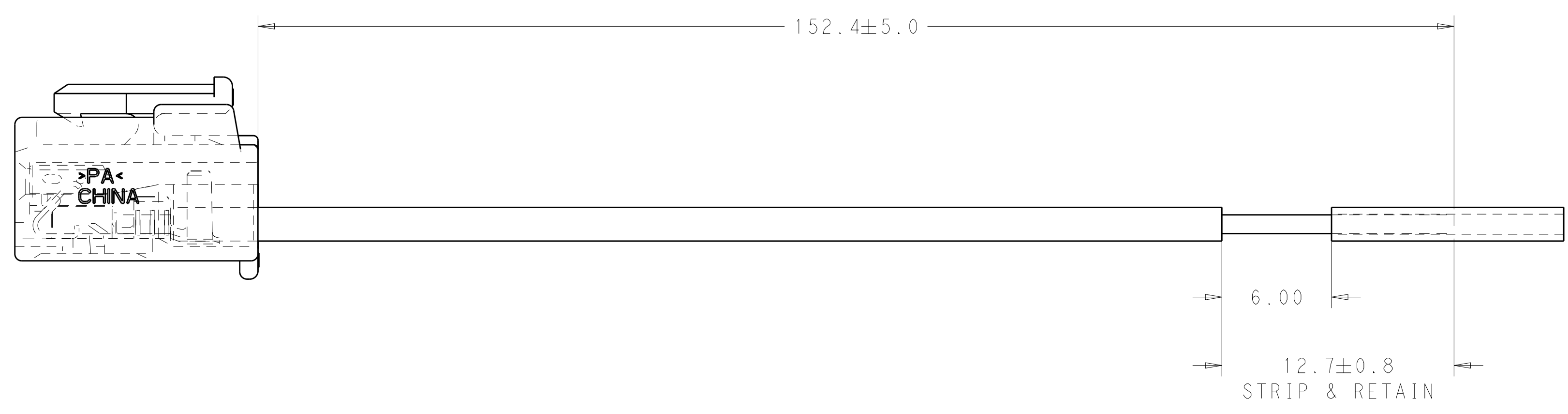


REVISONS		DATE	DWN	APVD
P	LTN			
A		10APR2013	RS	DD



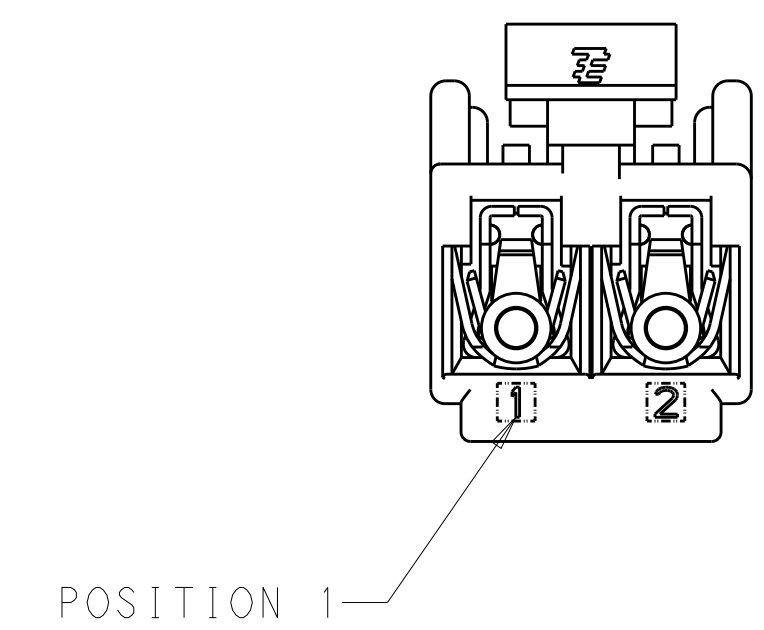
ISOMETRIC VIEW  
3 POSITION

ISOMETRIC VIEW  
4 POSITION



P/N: 2154828-1 (2 POSITION)  
SCALE 5:1

WIRE COLOR CHART <span style="float:right">△3</span>			
4	-	-	ORANGE
3	-	BLUE	BLUE
2	RED	RED	RED
1	BLACK	BLACK	BLACK
POSN.	WIRE COLOR		
PART NUMBER	-1	-2	-3



- △1 MATERIALS AND FINISH:  
-HOUSING: PBT, COLOR: NATURAL  
-CONTACTS: COPPER ALLOY, FINISH: PRE-TIN  
-WIRE: 18AWG STRANDED, UL 1007 STYLE
- 2. MUST COMPLY WITH DIRECTIVE 2002/95/EC (RHOS)
- △3 REFER TO TABLE FOR WIRE COLORS
- △4 PENDING APPROVAL

4	2154828-3
3	2154828-2
2	2154828-1
NO. POSN.	PART NUMBER

THIS DRAWING IS A CONTROLLED DOCUMENT.		DWN G. PETERS 03FEB2012	TE Connectivity
DIMENSIONS: mm		CHK C. GINGRICH 03FEB2012	
TOLERANCES UNLESS OTHERWISE SPECIFIED:		APVD C. GINGRICH	NAME
0 PLC	±	PRODUCT SPEC	CABLE ASSEMBLY, 18AWG WIRE, TO ECONOMY POWER II, PLUG, 3.96 PITCH
1 PLC	±0.13	APPLICATION SPEC	
2 PLC	±	SIZE	A100779
3 PLC	±	CAGE CODE	C=2154828
4 PLC	±	DRAWING NO	RESTRICTED TO
ANGLES	±	WEIGHT	
FINISH		Customer Drawing	SCALE 1:1 SHEET 1 OF 1 REV A

## X-ON Electronics

Largest Supplier of Electrical and Electronic Components

*Click to view similar products for [DC Power Cords](#) category:*

*Click to view products by [TE Connectivity](#) manufacturer:*

Other Similar products are found below :

[2R6006A20A120](#) [172-4000](#) [172-4101](#) [172-7443-E](#) [21033836407](#) [2J-1865A](#) [2R7006A20A120](#) [426055400-3](#) [MN47A4BC01M010](#) [H-OU-2](#)  
[CA0002](#) [420680840-3](#) [426451500-3](#) [P162PT4-36](#) [1-832692-4](#) [FJ-VSP 3M](#) [96CB-POWER-B-1.8M2](#) [426040200](#) [CA0006](#) [H-OU-27](#)  
[1700019464](#) [FJ-VSP 10M](#) [MN47B4BC01M040](#) [H-OU-20](#) [2-836917-8](#) [867566-1](#) [804001P03M050G](#) [2050KH1-BK](#) [58257-1069](#) [2058KZ3-](#)  
[BK](#) [216603-0037](#) [1011147](#) [1011324](#) [1012028](#) [BXC-10567](#) [172-2555](#) [32102-022800-200-RS](#) [P29000-M2](#) [P29004-M2](#) [DC.CAB.0201.0150](#)  
[DC.CAB.0301.0150](#) [DC.CAB.0610.0150](#) [DC.CAB.0700.0150](#) [DC.CAB.1000.0150](#) [DC.CAB.1000.0300](#) [DC.CAB.1100.0150](#)  
[DC.CAB.1400.0150](#) [DC.CAB.1410.0150](#) [DC.CAB.1500.0150](#) [DC.CAB.1811.0150](#)