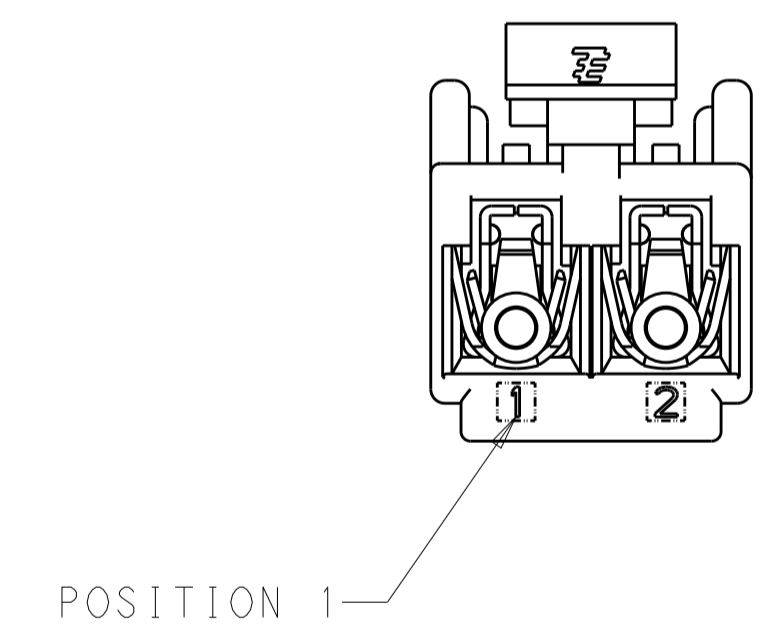
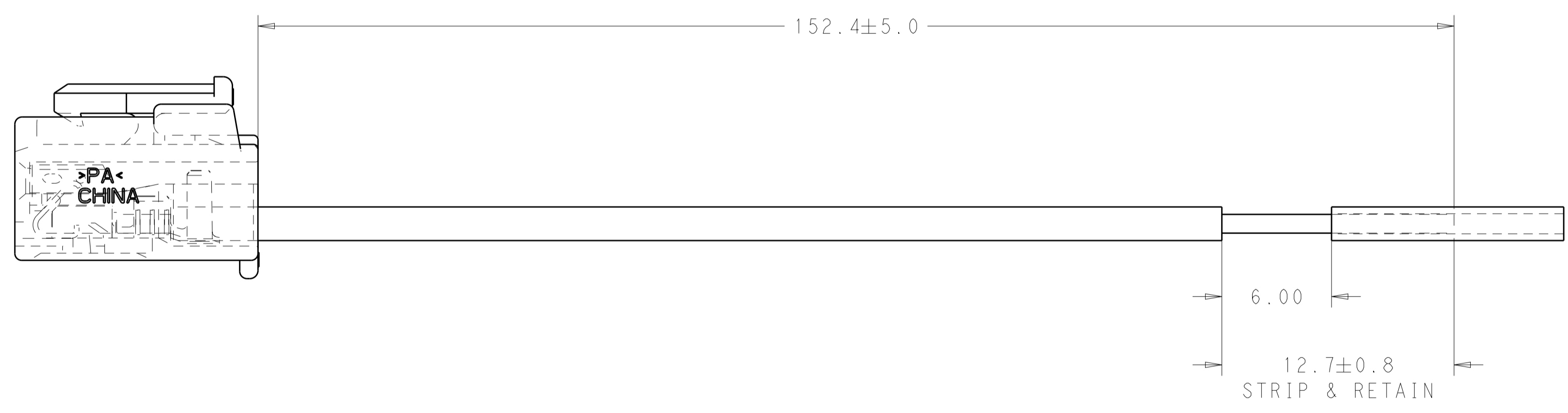
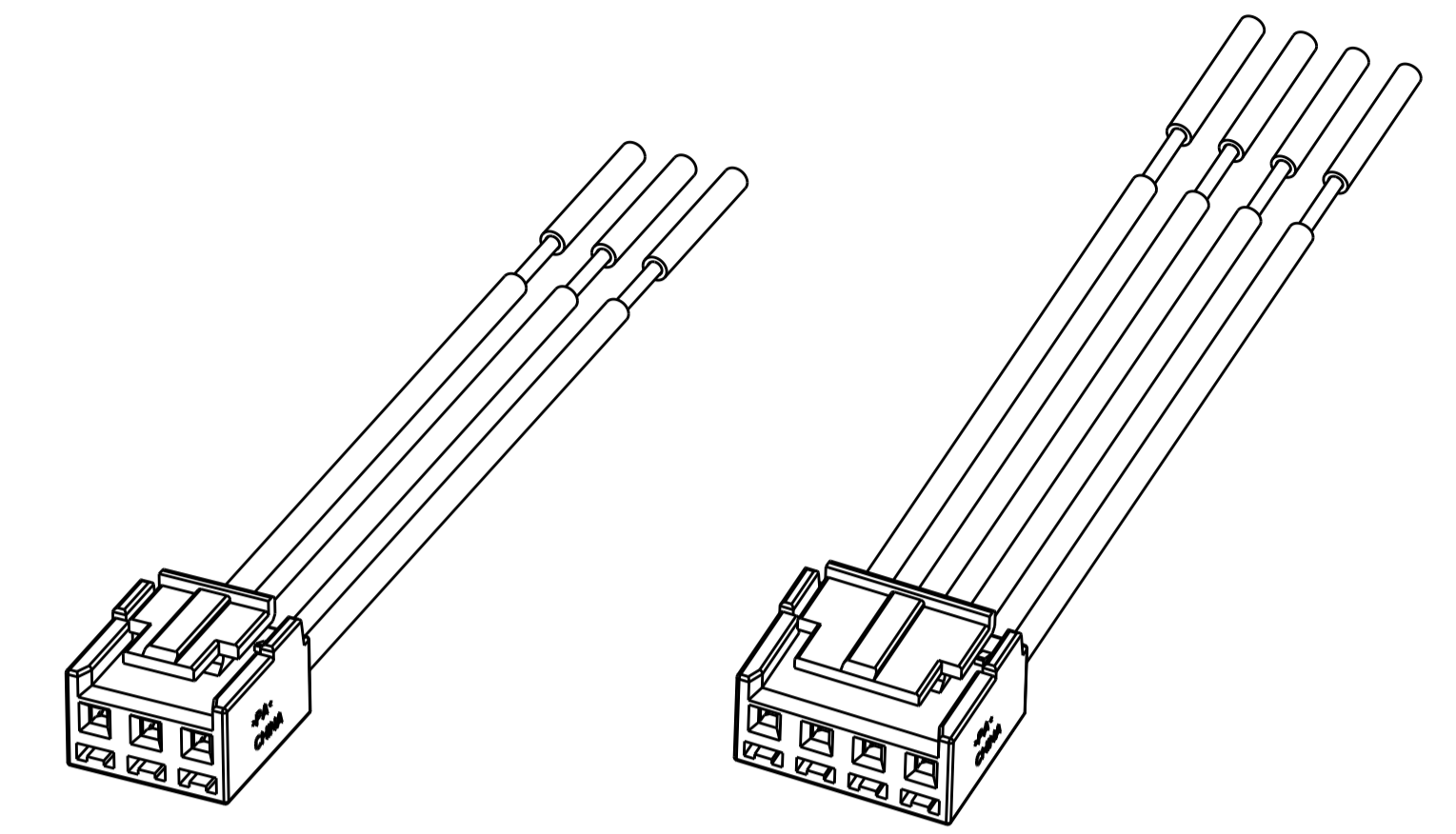
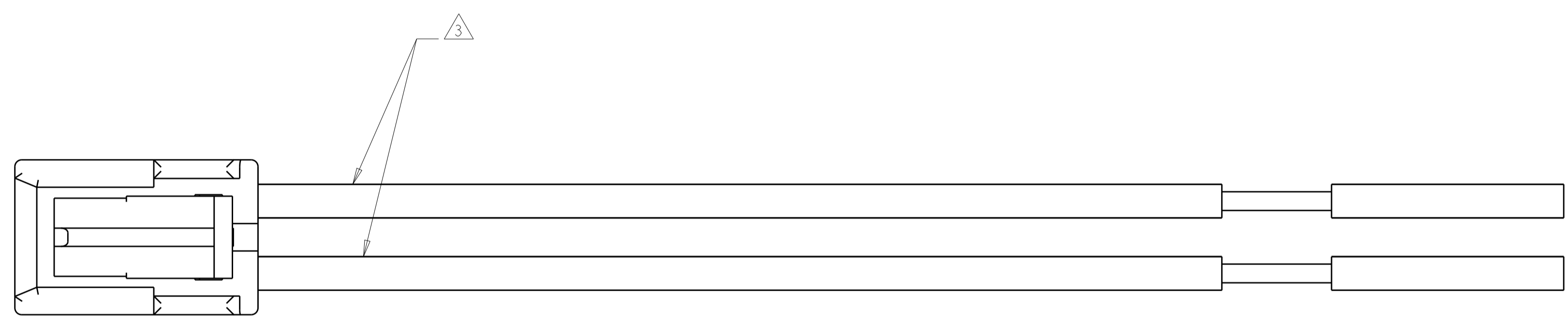


| REVISONS | | DATE | OWN | APVD |
|----------|-----|-----------|-----|------|
| P | LTN | | | |
| A | | 10APR2013 | RS | DD |
| | | | | |
| | | | | |



P/N: 2154828-1 (2 POSITION)
SCALE 5:1

| WIRE COLOR CHART 3 | | | |
|--|------------|-------|--------|
| 4 | - | - | ORANGE |
| 3 | - | BLUE | BLUE |
| 2 | RED | RED | RED |
| 1 | BLACK | BLACK | BLACK |
| POSN. | WIRE COLOR | | |
| PART NUMBER | -1 | -2 | -3 |

- 1 MATERIALS AND FINISH:
-HOUSING: PBT, COLOR: NATURAL
-CONTACTS: COPPER ALLOY, FINISH: PRE-TIN
-WIRE: 18AWG STRANDED, UL 1007 STYLE
- 2. MUST COMPLY WITH DIRECTIVE 2002/95/EC (RHOS)
- 3 REFER TO TABLE FOR WIRE COLORS
- 4 PENDING APPROVAL

| | |
|-----------|-------------|
| 4 | 2154828-3 |
| 3 | 2154828-2 |
| 2 | 2154828-1 |
| NO. POSN. | PART NUMBER |

| | | | |
|--|-------|---------------------------|---|
| THIS DRAWING IS A CONTROLLED DOCUMENT. | | OWN G. PETERS 03FEB2012 | STE TE Connectivity |
| DIMENSIONS: mm | | CHK C. GINGRICH 03FEB2012 | |
| TOLERANCES UNLESS OTHERWISE SPECIFIED: | | APVD C. GINGRICH | NAME |
| 0 PLC | ± | PRODUCT SPEC | CABLE ASSEMBLY, 18AWG WIRE, TO ECONOMY POWER II, PLUG, 3.96 PITCH |
| 1 PLC | ±0.13 | APPLICATION SPEC | |
| 2 PLC | ± | SIZE | CAGE CODE DRAWING NO |
| 3 PLC | ± | WEIGHT | A100779C=2154828 |
| 4 PLC | ± | Customer Drawing | RESTRICTED TO |
| ANGLES | ± | SCALE 1:1 | SHEET 1 OF 1 |
| FINISH | - | REV A | |

X-ON Electronics

Largest Supplier of Electrical and Electronic Components

Click to view similar products for [DC Power Cords](#) category:

Click to view products by [TE Connectivity](#) manufacturer:

Other Similar products are found below :

[172-4000](#) [172-4101](#) [172-7443-E](#) [21033836407](#) [2J-1865A](#) [2R7006A20A120](#) [426055400-3](#) [MN47A4BC01M010](#) [H-OU-2](#) [CA0002](#)
[420680840-3](#) [426451500-3](#) [P162PT4-36](#) [1-832692-4](#) [FJ-VSP 3M](#) [96CB-POWER-B-1.8M2](#) [426040200](#) [CA0006](#) [H-OU-27](#) [1700019464](#) [FJ-](#)
[VSP 10M](#) [MN47B4BC01M040](#) [H-OU-20](#) [2-836917-8](#) [867566-1](#) [804001P03M050G](#) [2050KH1-BK](#) [426013710-3](#) [58257-1069](#) [216603-0037](#)
[1011147](#) [1011324](#) [1012028](#) [862545-5](#) [BXC-10567](#) [172-2555](#) [32102-022800-200-RS](#) [P29000-M2](#) [P29004-M2](#) [DC.CAB.0201.0150](#)
[DC.CAB.0301.0150](#) [DC.CAB.0610.0150](#) [DC.CAB.0700.0150](#) [DC.CAB.1000.0300](#) [DC.CAB.1100.0150](#) [DC.CAB.1400.0150](#)
[DC.CAB.1410.0150](#) [DC.CAB.1500.0150](#) [DC.CAB.1811.0150](#) [DC.CAB.1900.0150](#)