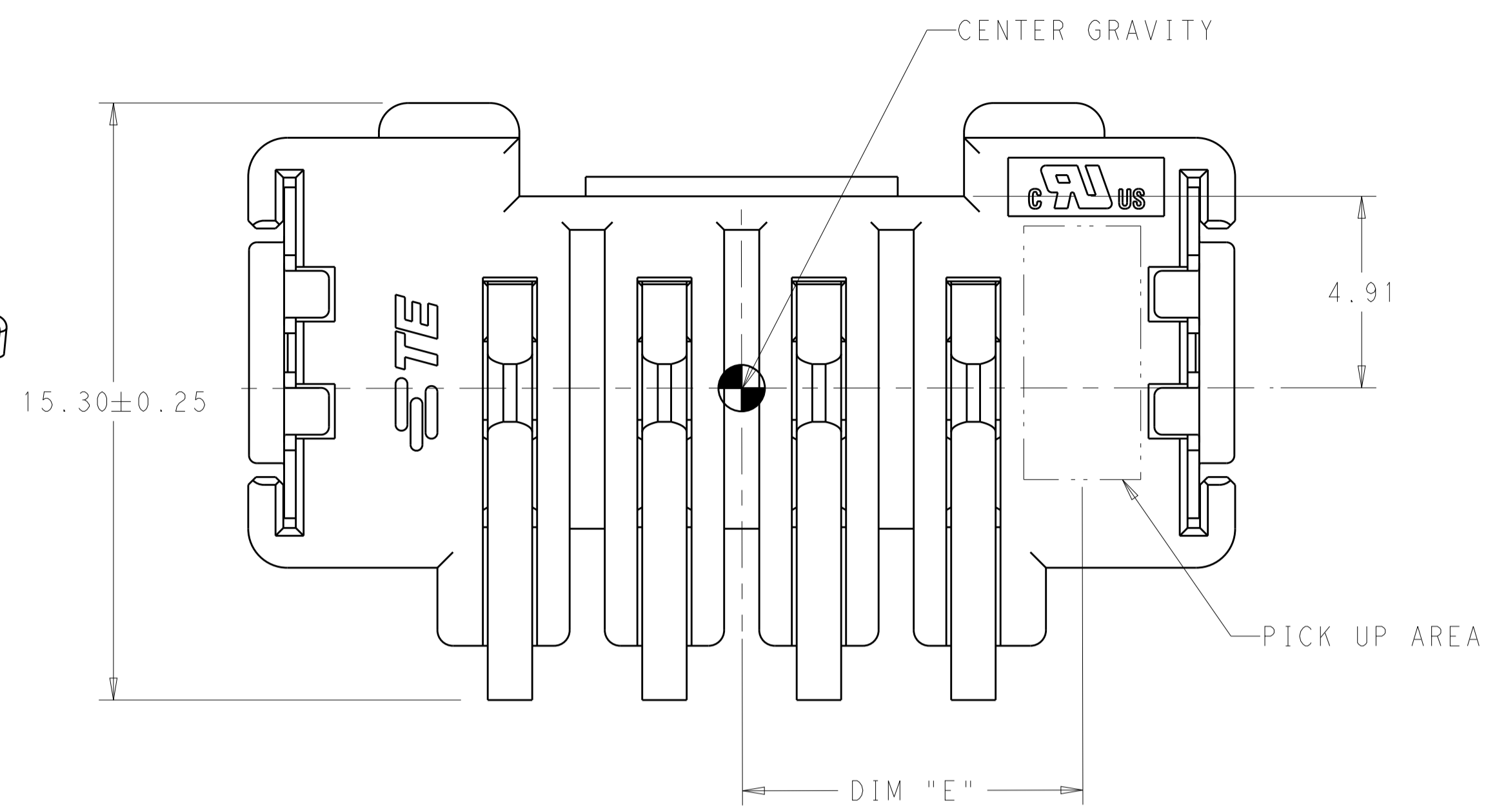
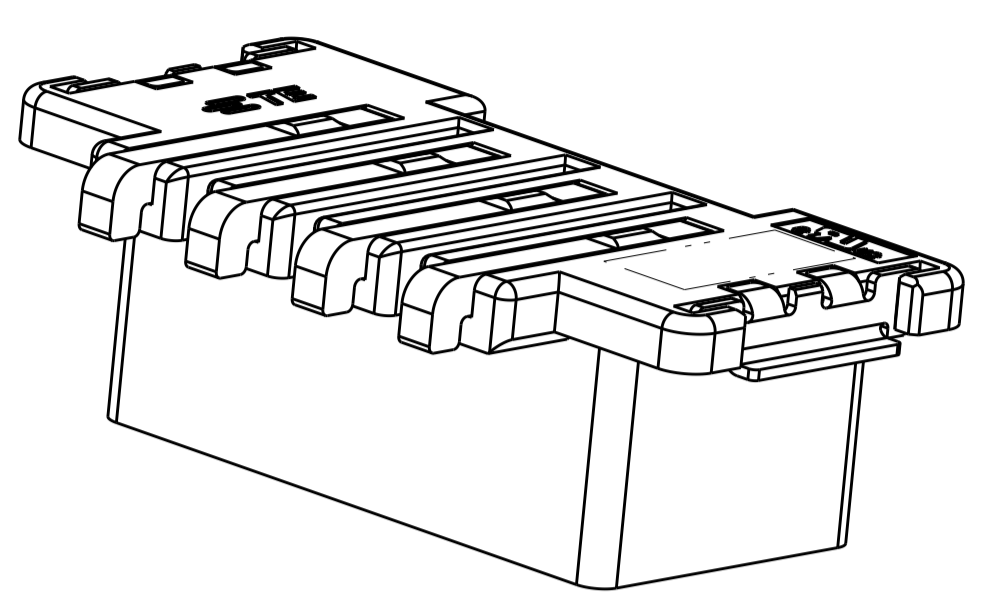
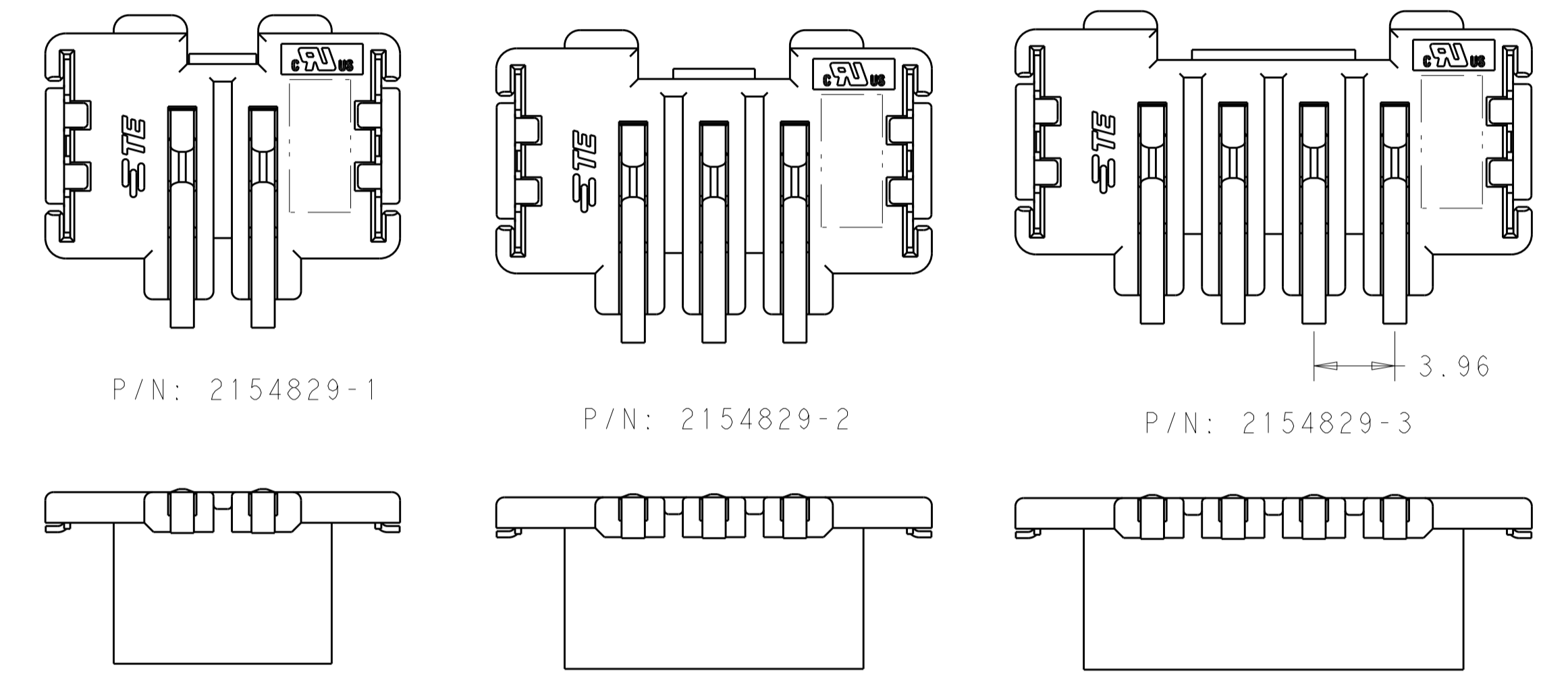
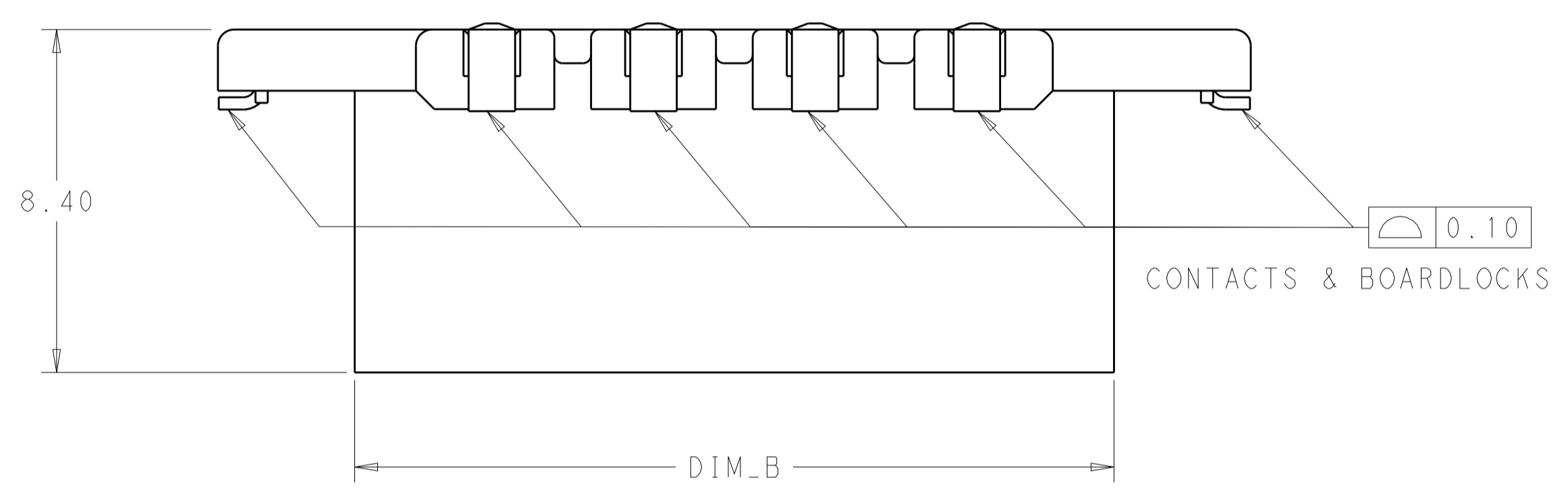
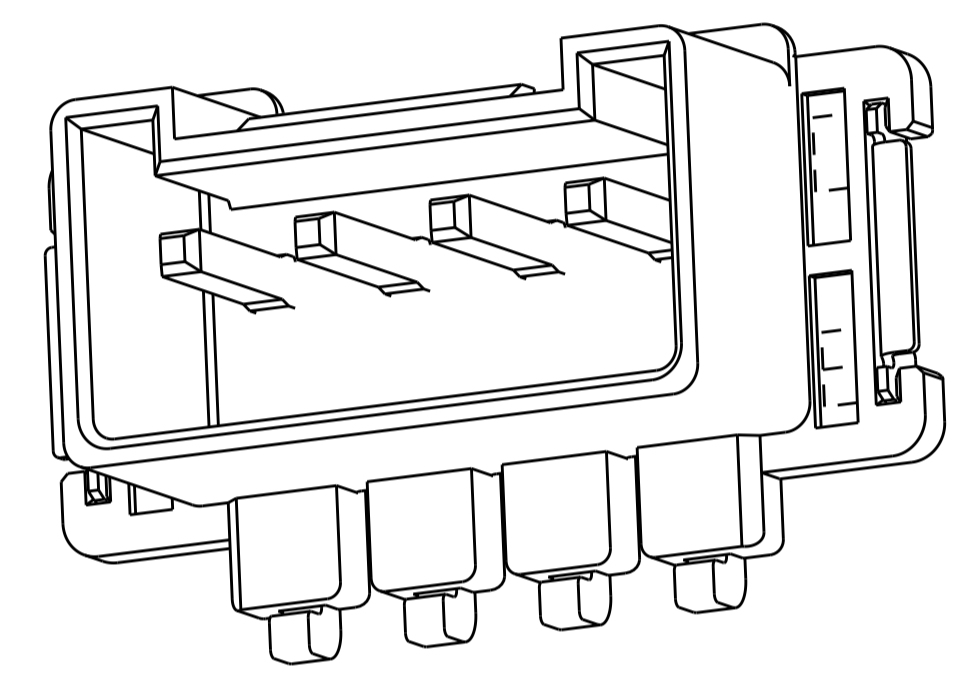


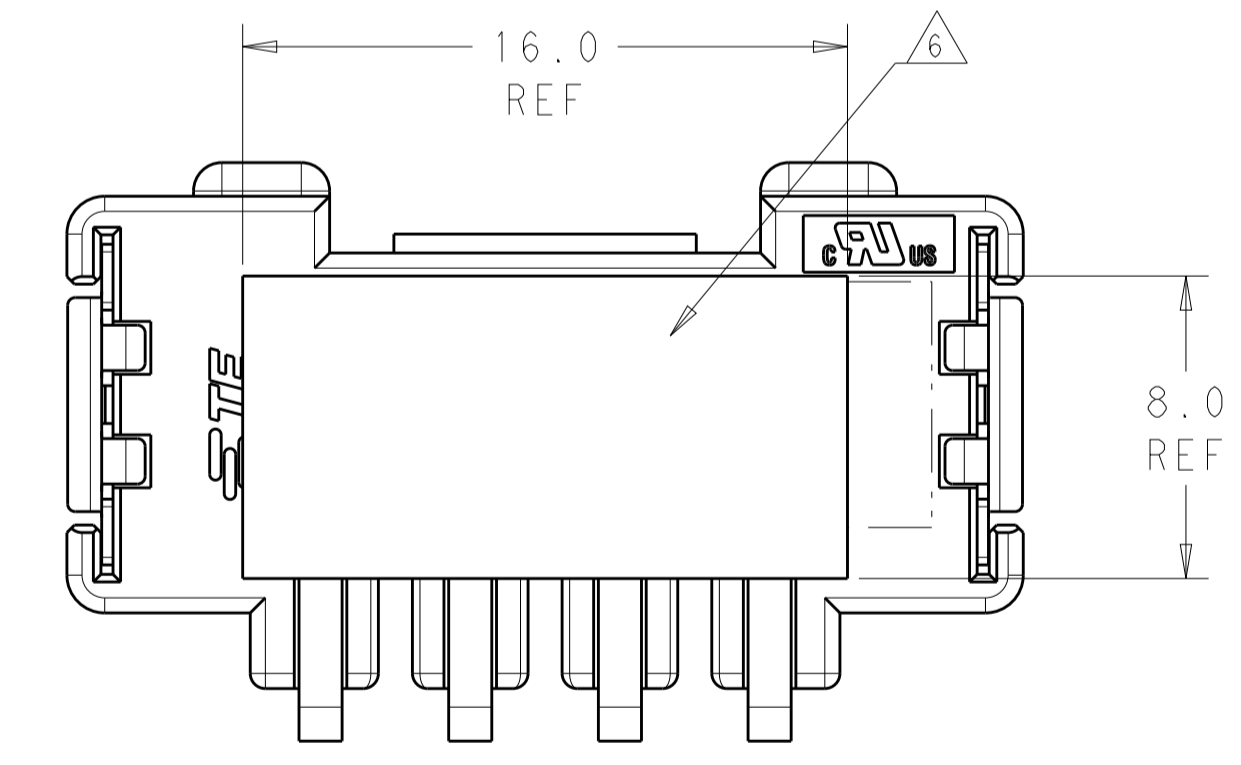
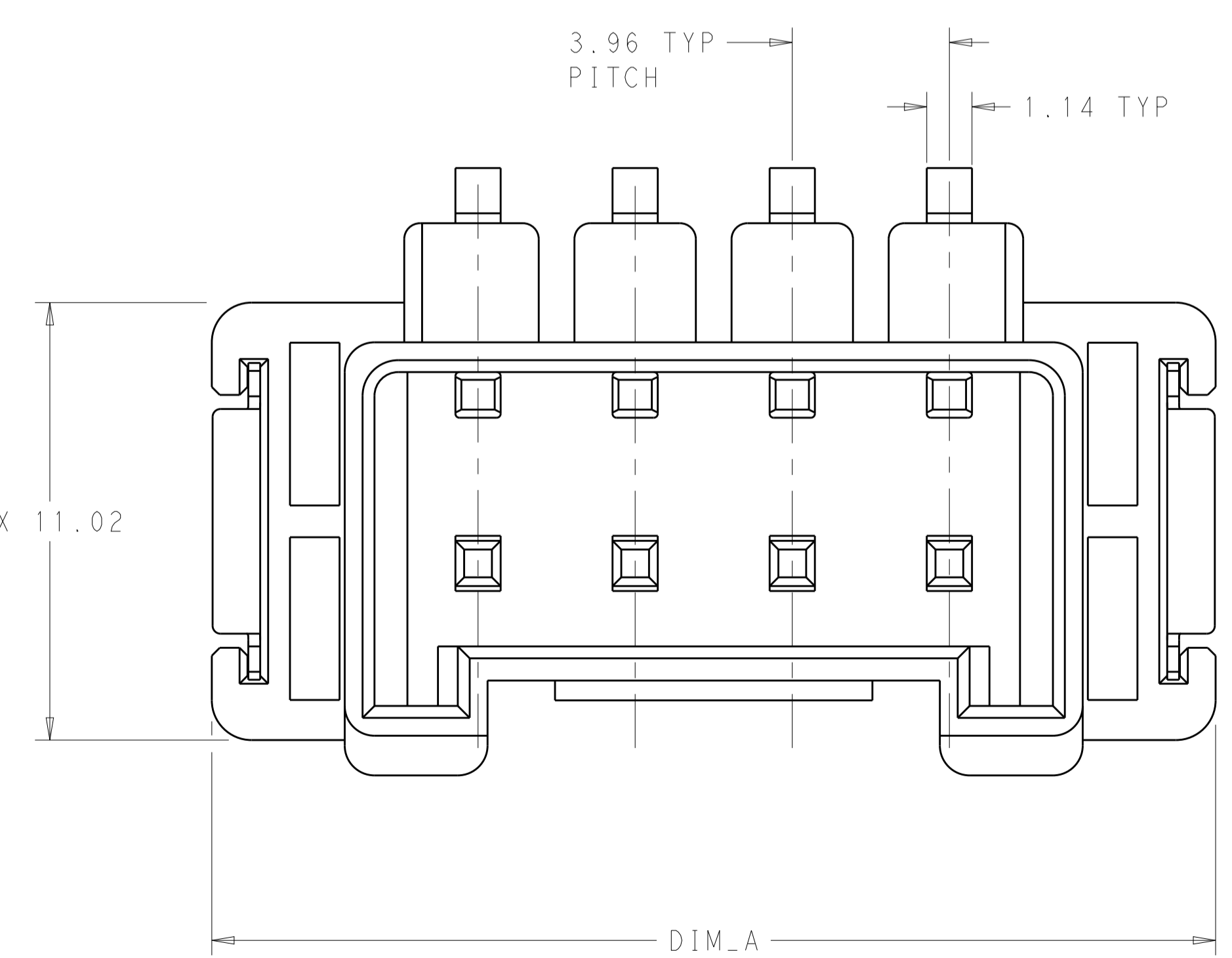
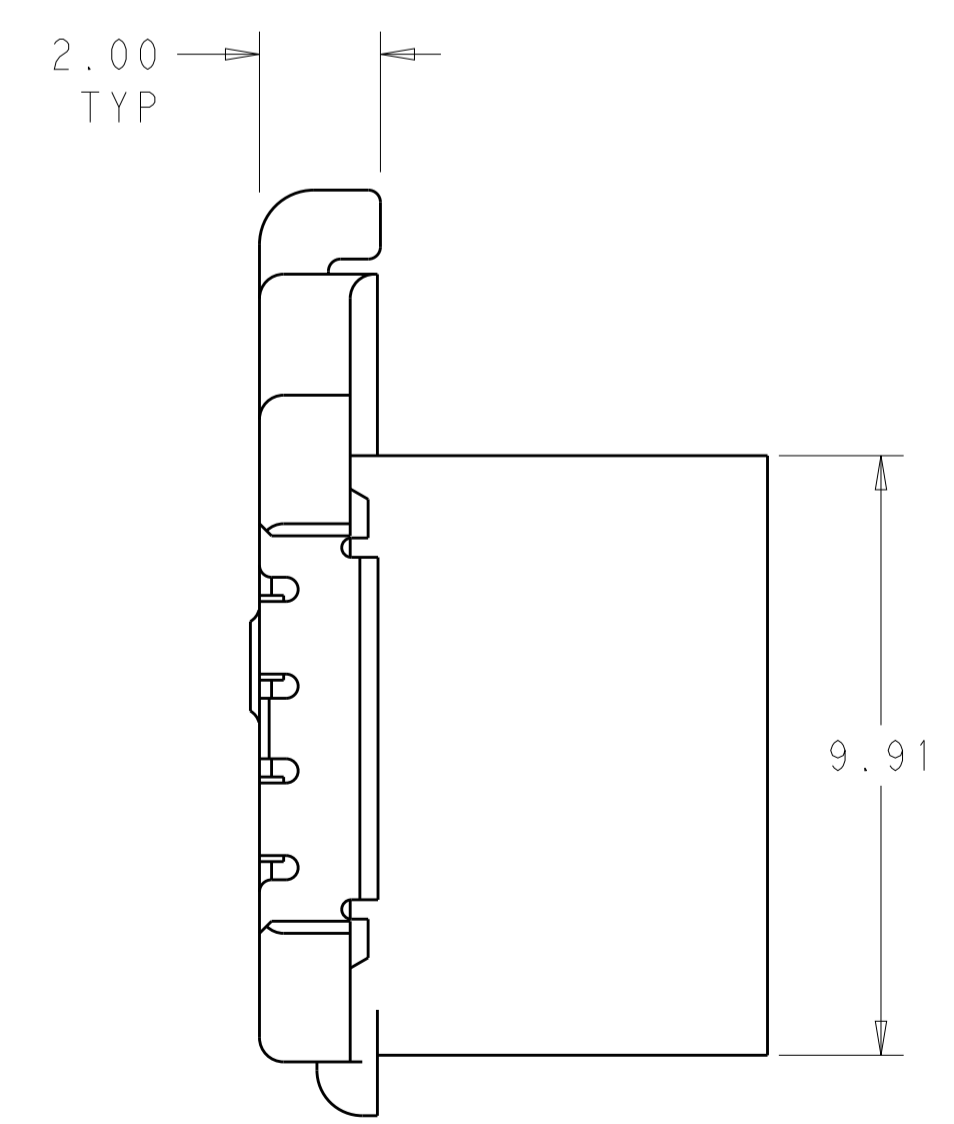
LOC		DIST		REVISIONS			
P	LTN	DESCRIPTION	DATE	DWN	APVD		
A1		REVISED PER ECR-18-009294	14JUN2018	JS	DD		



- MATERIAL AND FINISH:
 -HOUSING: LCP, COLOR: NATURAL
 -CONTACTS: COPPER ALLOY, FINISH: Sn OVER Ni
 -BOARD LOCKS: COPPER ALLOY, FINISH: Sn OVER Ni
 - MUST COMPLY WITH DIRECTIVE 2002/95/EC (ROHS)
 - PACKAGE IN TAPE & REEL PER ETA-48I SPECIFICATIONS
 DIAMETER OF REEL TO BE 330mm.
 - THIS PRODUCT HAS NOT COMPLETED VALIDATION TESTING.
- △ VACUUM PICK UP TAPE



ISOMETRIC VIEW
(P/N: 2154829-3 SHOWN)



YES	8.73	12.04	19.00	18.60	25.30	4	1-2154829-3
NO	8.73	12.04	19.00	18.60	25.30	4	2154829-3
NO	6.75	10.06	15.00	14.64	21.34	3	2154829-2
NO	4.77	8.08	11.00	10.68	17.38	2	2154829-1
△ TAPE	DIM_E	DIM_D	DIM_C	DIM_B	DIM_A	NO. OF POSN.	PART NUMBER

THIS DRAWING IS A CONTROLLED DOCUMENT. DWN: G. PETERS 01FEB2012
 CHK: C. GINGRICH 01FEB2012

STE TE Connectivity

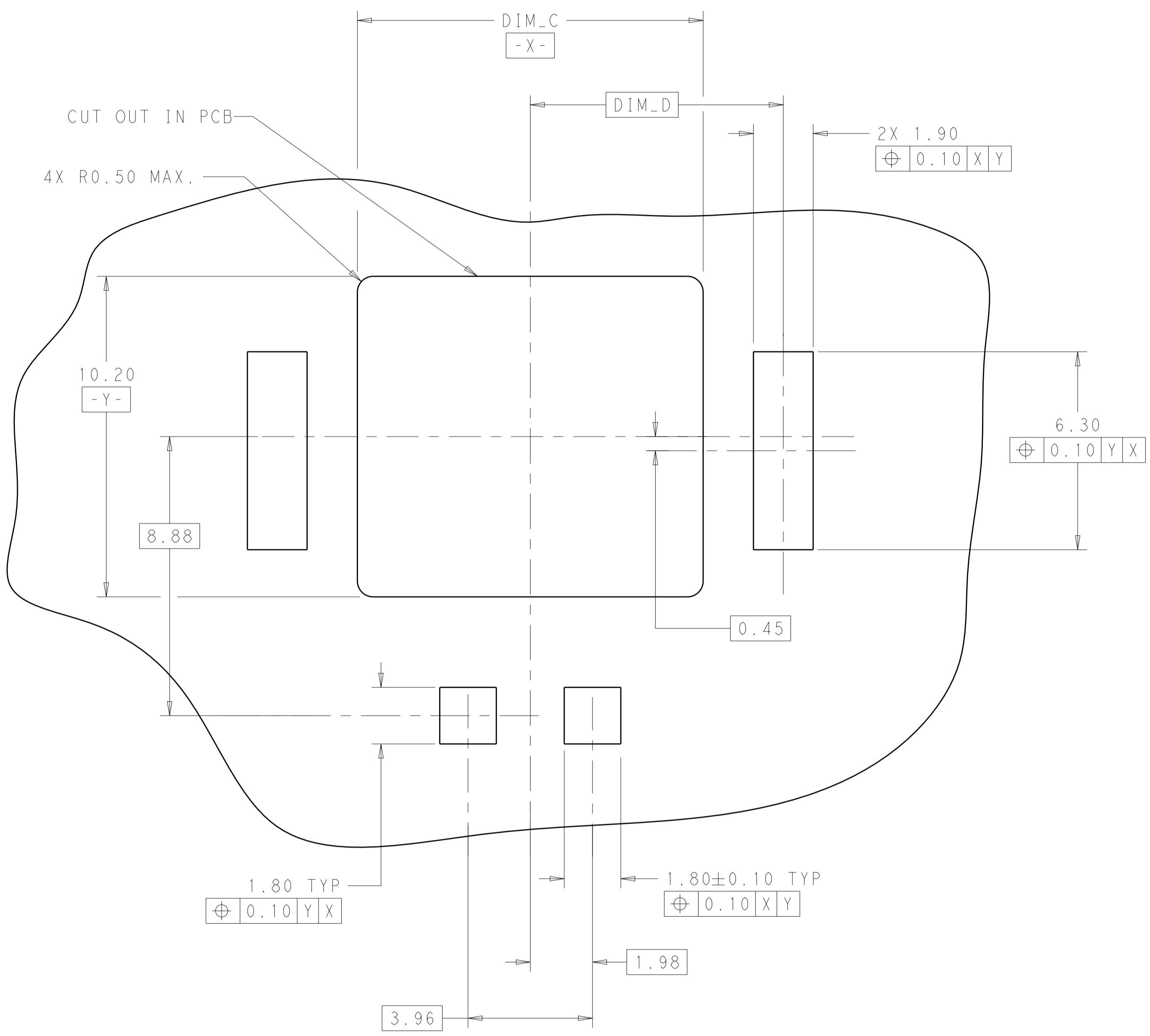
NAME: ASSEMBLY INVERTED THRU BOARD
 2 THRU 4 POSITIONS 3.96 PITCH

PRODUCT SPEC: 108-133000
 APPLICATION SPEC: 114-32030

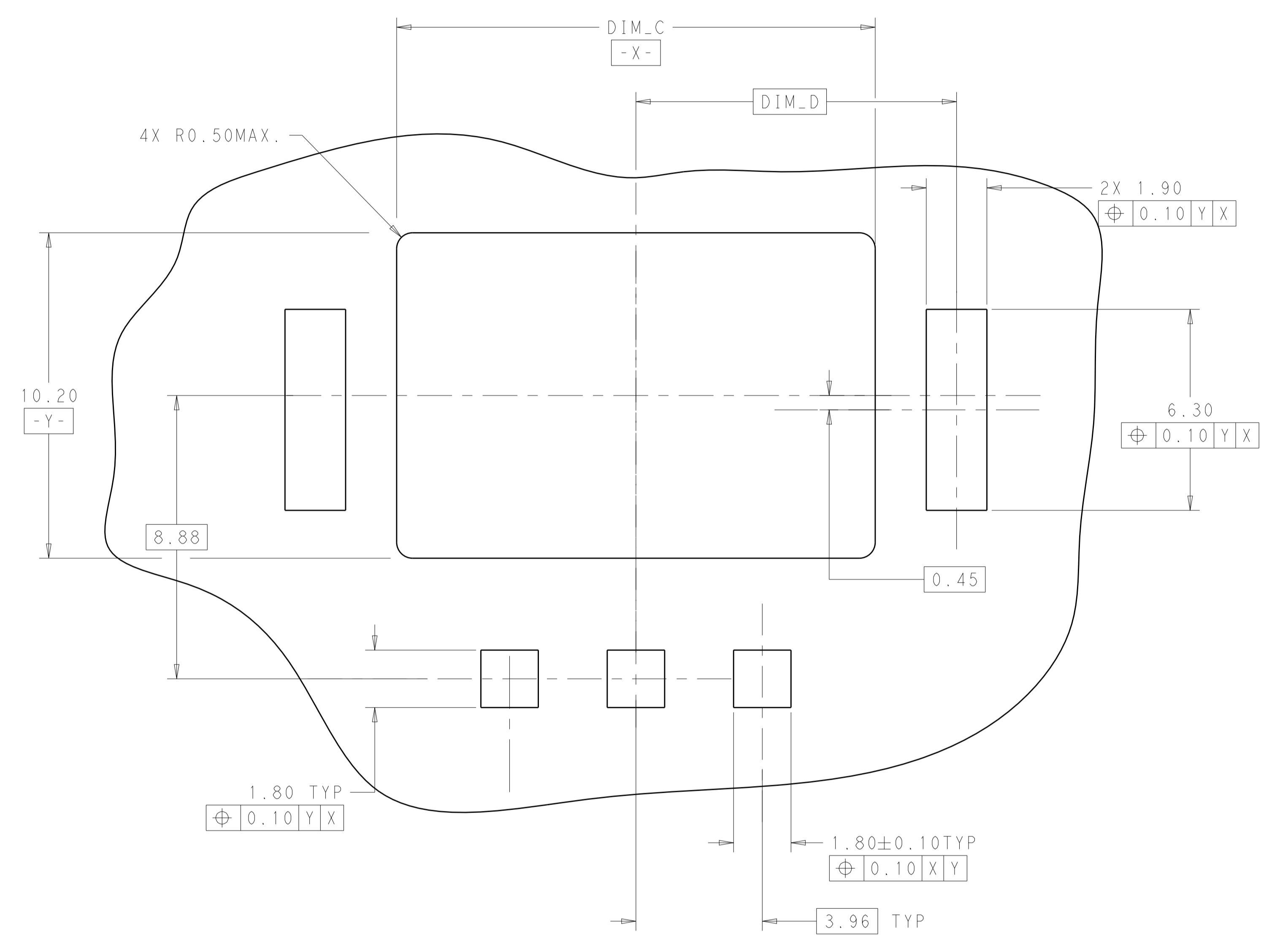
SIZE: A1 CAGE CODE: 00779 DRAWING NO: C=2154829
 WEIGHT: -
 MATERIAL: -
 FINISH: -

Customer Drawing SCALE: 5:1 SHEET 1 OF 3 REV: A1

LOC		DIST		REVISIONS			
				DESCRIPTION	DATE	OWN	APVD
-	-	-	-	SEE SHEET 1	-	-	-



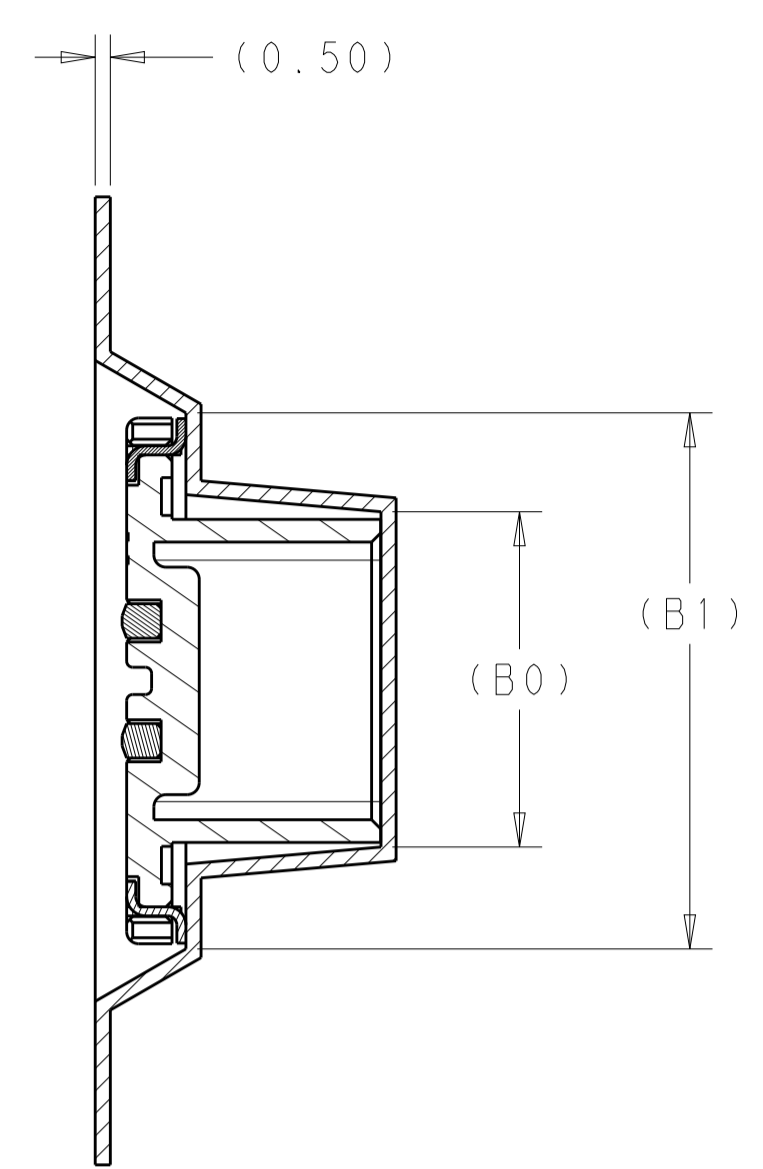
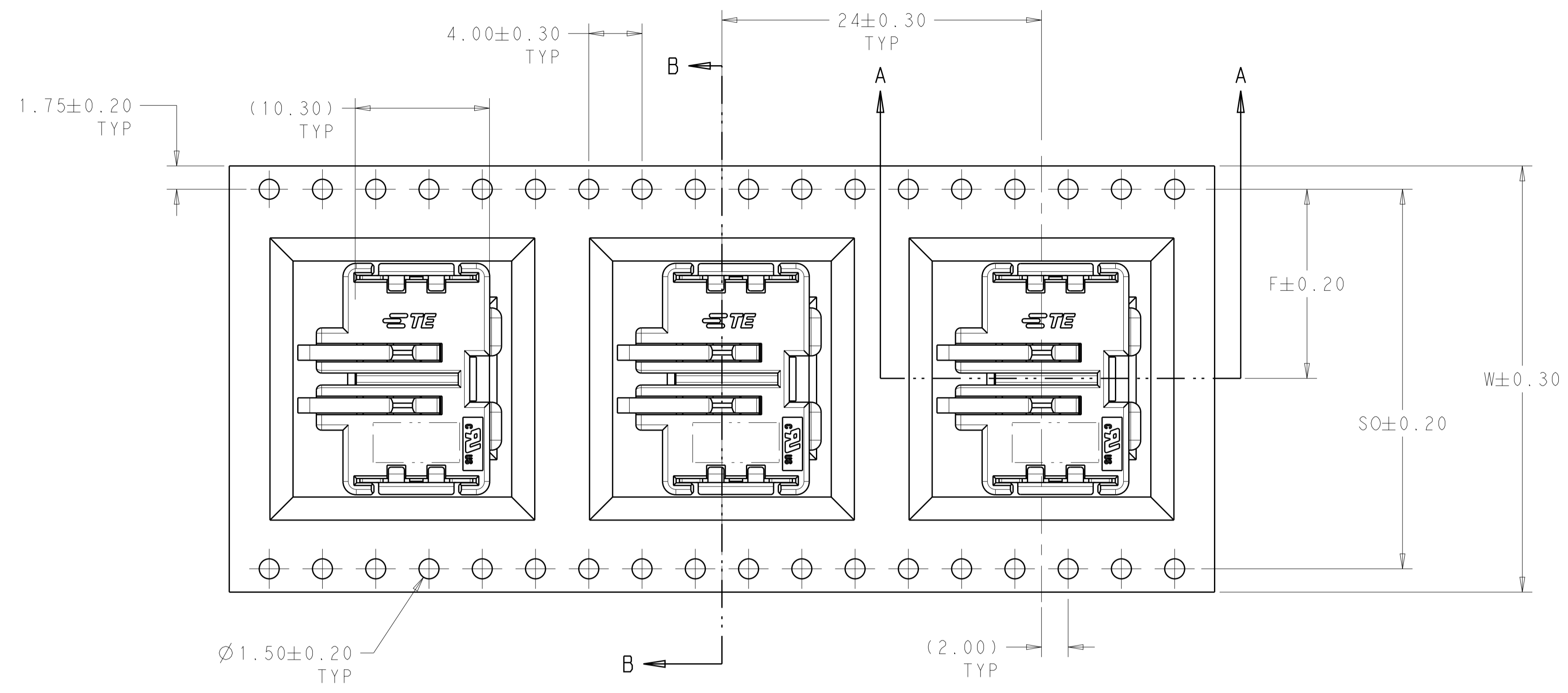
RECOMMENDED PCB LAYOUT
 EVEN NUMBER POSITIONS SHOWN
 SCALE 10:1



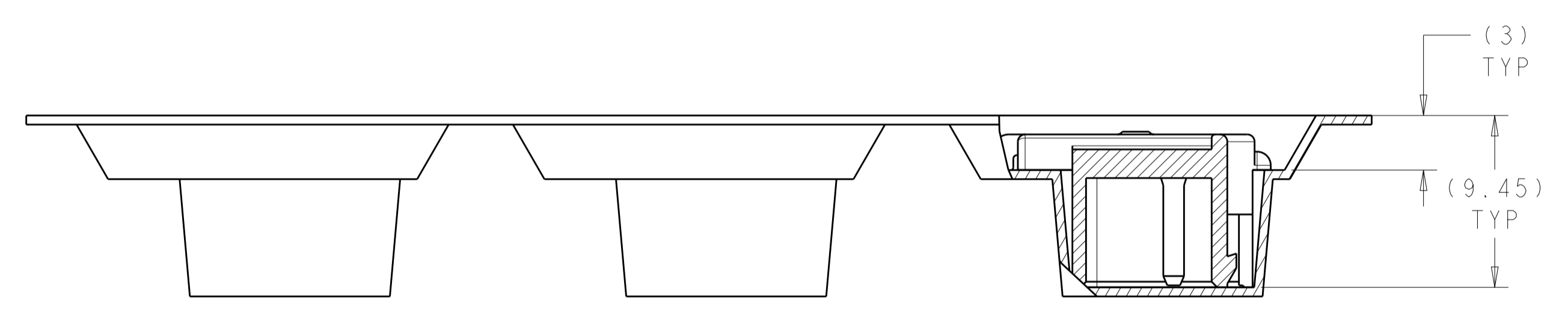
RECOMMENDED PCB LAYOUT
 ODD NUMBER POSITIONS SHOWN
 SCALE 10:1

THIS DRAWING IS A CONTROLLED DOCUMENT.		OWN G. PETERS 01FEB2012	TE Connectivity
DIMENSIONS: mm		CHK C. GINGRICH 01FEB2012	
TOLERANCES UNLESS OTHERWISE SPECIFIED:		APVD C. GINGRICH	NAME ASSEMBLY INVERTED THRU BOARD
0 PLC ±		PRODUCT SPEC 108-133000	2 THRU 4 POSITIONS 3.96 PITCH
1 PLC ±0.13		APPLICATION SPEC	
2 PLC ±		SIZE 114-32030	RESTRICTED TO
3 PLC ±		WEIGHT	A100779C=2154829
4 PLC ±		Customer Drawing	SCALE 1:1 SHEET 2 OF 3 REV A1
ANGLES ±			
FINISH			

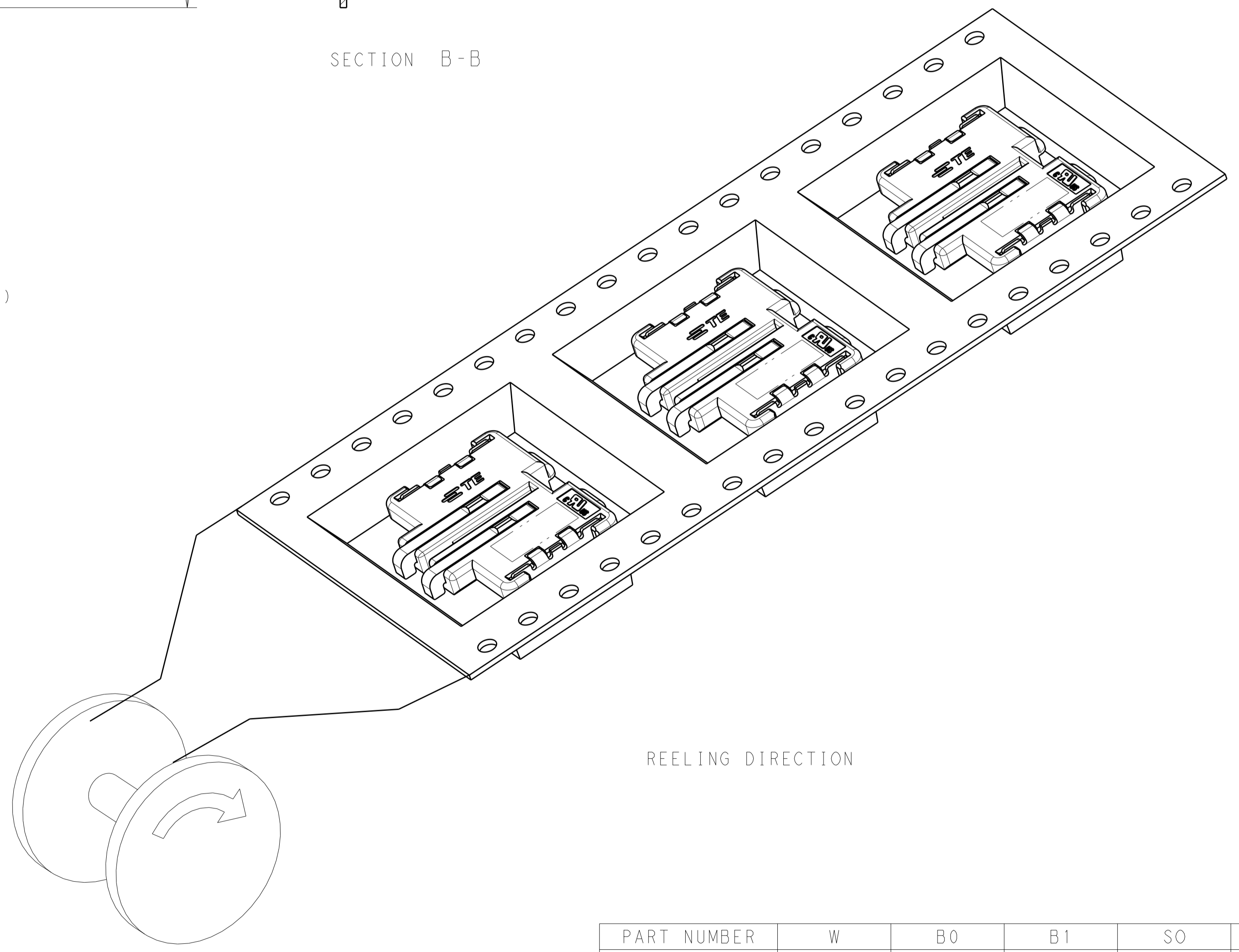
LOC		DIST		REVISIONS			
				REV	DATE	BY	APPV
-	-	-	-	-	-	-	-
-	-	-	-	-	SEE SHEET 1	-	-



SECTION B-B



SECTION A-A



REELING DIRECTION

PART NUMBER	W	B0	B1	SO	F
2154829-1	32.0	11.1	18.3	28.5	14.2
2154829-2	44.0	15.06	22.26	40.5	20.2
2154829-3	44.0	19.02	26.22	40.5	20.2

THIS DRAWING IS A CONTROLLED DOCUMENT.		DWN: G. PETERS 01FEB2012	TE Connectivity
		CHK: C. GINGRICH 01FEB2012	
DIMENSIONS:	TOLERANCES UNLESS OTHERWISE SPECIFIED:	APVD: C. GINGRICH	NAME: ASSEMBLY INVERTED THRU BOARD
mm	0 PLC ±	PRODUCT SPEC	2 THRU 4 POSITIONS 3.96 PITCH
	1 PLC ±0.13	APPLICATION SPEC	
	2 PLC ±	114-32030	SIZE: A1
	3 PLC ±	WEIGHT	CAGE CODE: 100779
	4 PLC ±		DRAWING NO: 2154829
	ANGLES ±		RESTRICTED TO
MATERIAL:	FINISH:	Customer Drawing	SCALE: 1:1 SHEET 3 OF 3 REV: A1

X-ON Electronics

Largest Supplier of Electrical and Electronic Components

Click to view similar products for [Lighting Connectors](#) category:

Click to view products by [TE Connectivity](#) manufacturer:

Other Similar products are found below :

[293300-7](#) [293660-5](#) [CNX_H03_NTP](#) [30-9767-BU](#) [3605](#) [3-21030-1](#) [ZCH-110-RGB-I](#) [503471-0290](#) [ZCH-110-RGB-J](#) [217-0716-200](#)
[1954563-1](#) [1-293657-2](#) [2834036-1](#) [2834037-1](#) [1-2213222-4](#) [2-2213222-4](#) [2213222-4](#) [2834122-3](#) [2834122-5](#) [2834135-2](#) [FLA-R4142-30](#)
[FLA-R4162-30](#) [FLA-R2142-30](#) [FLA-R2141-30](#) [FLA-R2162-30](#) [FLA-R2161-30](#) [FLA-R0161-30](#) [FLA-R0141-30](#) [FLA-R0142-30](#) [FLA-](#)
[R0162-30](#) [FLA-C00-00](#) [DGA00010553](#) [CNXV04NTP](#) [104128-0610](#) [503485-0000 \(Cut Strip\)](#) [503485-0000 \(Loose Piece\)](#) [503485-0000](#)
[\(MINI Reel\)](#) [1-2834074-2](#) [1-2834074-3](#) [1357-AC PLUG W2C \(CHINA\)](#) [1357-AC PLUG W2 \(USA\)](#) [104266-0110](#) [CNXV02NTP](#) [2106212-1](#)
[2-2834074-2](#) [104266-0210](#) [293470-1](#) [293651-2](#) [293651-4](#) [1-2834006-2](#)