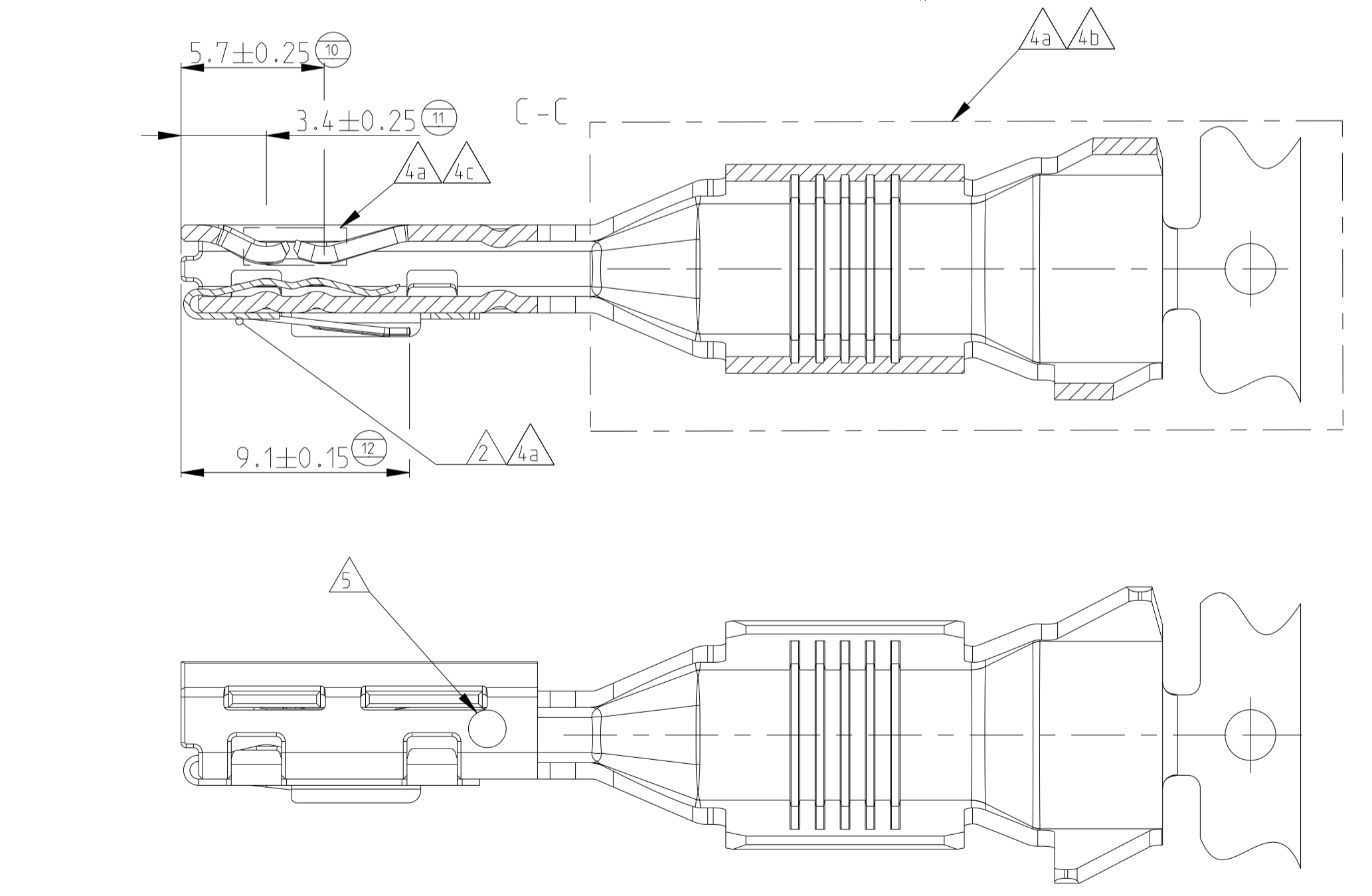
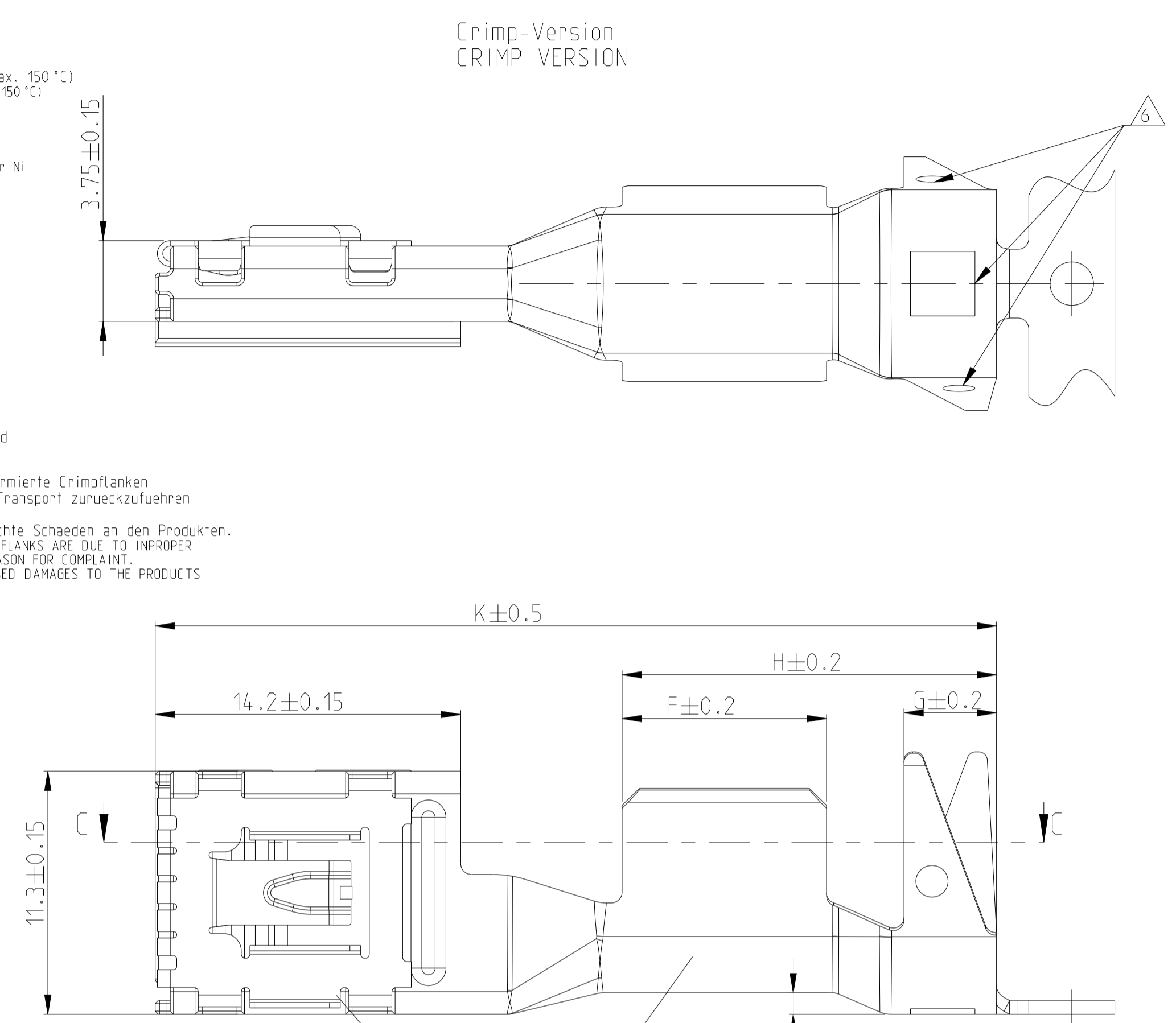


- Bemerkungen NOTES**
- 1 Kontaktkoerper BODY
  - 2 Kontaktfeder SPRING
  - 3 Fuer FLR-Leitung nach DIN 72551, Teil 6 FOR FLR-WIRE SEE DIN 72551, PART 6
  - 4 SURFACE Oberflaeche
    - 4a -HOT DIPPED SnAg 1 TO 5 µm (max. 150 °C) -Feuerverzinkt SnAg 1 TO 5 µm (max. 150 °C)
    - 4b BODY Kontaktkoerper -TIN PLATED Sn 1-3 µm OVER Ni -Galvanisch beschichtet Sn 1-3 µm ueber Ni
    - 4c BODY (ONLY CONTACT AREA) Kontaktkoerper (nur Kontaktzone) -SILVER PLATED 2 TO 4 µm -galv. versilbert 2 bis 4 µm
  - 5 Markierung fuer galvanische Ausfuehrung: -AG: versilbert -verzinkt: ohne Markierung STAMPED INDICATOR FOR PLATING: -AG: SILVER PLATING -TIN PLATING: WITHOUT INDICATOR
  - 6 TE Logo, Aenderungsstand, Datumscode REVISION STATUS, DATE CODE
  - 7 Getestet nach GMW 3191 Validation ausstehend VALIDATED TO GMW 3191 VALIDATION TBD
  - 8 Durchstochenes Zwischenlagenpapier oder deformierte Crimpflanken sind auf ein unsachmaessiges Handling beim Transport zurueckzufuehren und stellen keinen Reklamationsgrund dar. TE uebernimmt keine Haftung fuer so verursachte Schaeden an den Produkten. PUNCTURED IN-LAYER PAPER OR DEFORMED CRIMPING FLANKS ARE DUE TO IMPROPER HANDLING DURING TRANSPORT AND THERE IS NO REASON FOR COMPLAINT. TE DO NOT TAKE OVER ANY LIABILITY FOR SO CAUSED DAMAGES TO THE PRODUCTS
  - 9 8 MM² WIRE ONLY QUALIFIED TO 105 °C Leitung nur bis max. 105 °C qualifiziert

LOC	DIST	REV	DATE	BY	CHK
A1	-	P	06 JUN 2016	SM	BH
		L	17 MAR 2020	BH	BH
		C	30 OCT 2020	BH	BH
		C	20 OCT 2021	KHR	BH



VERSION / Ausfuehrung	MCON 9.5 for 12 mm TAB VERSION	STANDARD CRIMP	SINGLE WIRE SEAL	REV./Rev.	MATERIAL Werkstoff	SURFACE Oberflaeche	WIRE RANGE Draht-groessenbereich [mm²]	WIRE RANGE							TE- NO.	Ø [mm]	TAB DIMENSION Tab geometrie			
								A	B	D <sub>Dr</sub>	C	E	D <sub>ISO</sub>	F				G	H	J
STANDARD CRIMP	1-1563846-3	B	CuNiSi R690	CuSn R460	4a	4b	4c	16	9.25	9.6	5.3	14.5	15.22	9.5	9	4.4	18.2	2.45	39.1	9.5 x 1.2
	1-1563845-3	B	CuNiSi R690	CuSn R460	4a	4b	4c	8-10	7.5	7.8	4.2	14.5	15.2	9.5	7	4.1	15.9	2.45	37.6	
	1-1563845-1	B	CuNiSi R690	CuSn R460	4a	4a		9												
	1-1563844-3	B	CuNiSi R690	CuSn R460	4a	4b	4c	4-6	6.3	6.7	3.1	14.5	15.2	9.5	6	4.1	14.9	2.45	36.6	
	1-1563844-1	B	CuNiSi R690	CuSn R460	4a	4a														
	1-1563843-3	C	CuNiSi R690	CuSn R460	4a	4b	4c	16	9.1	9.5	5.3	11.8	12.2	7.6	9.5	4.4	17.4	1	39.1	
	1-1563843-1	C	CuNiSi R690	CuSn R460	4a	4a														
	2-1563842-3	A	CuNiSi R690	CuSn R460	4a	4b	4c	8-10	7.5	7.8	4.2	10.4	10.2	6.2	7	4.4	14.4	0.9	36.1	
	2-1563842-1	A	CuNiSi R690	CuSn R460	4a	4a		9												
	2-1563841-3	C	CuNiSi R690	CuSn R460	4a	4b	4c	4-6	6.3	6.6	3.1	6.9	7.2	3.9	6	3.8	12.1	0.6	33.8	
2-1563841-1	A	CuNiSi R690	CuSn R460	4a	4a															
SINGLE WIRE SEAL	1-1823040-3	A	CuNiSi R690	CuSn R460	4a	4b	4c	16												9.5 x 0.8
	1-1823040-1	A	CuNiSi R690	CuSn R460	4a	4a														
	1-1823038-3	C	CuNiSi R690	CuSn R460	4a	4b	4c	10												
	1-1823038-1	C	CuNiSi R690	CuSn R460	4a	4a														
	1-1823036-3	C	CuNiSi R690	CuSn R460	4a	4b	4c	6												
	1-1823036-1	C	CuNiSi R690	CuSn R460	4a	4a														
	1-1823034-3	C	CuNiSi R690	CuSn R460	4a	4b	4c	16	9.1	9.5	5.3	11.8	12.2	7.6	9.5	4.4	17.4	1	39.1	
	1-1823034-1	C	CuNiSi R690	CuSn R460	4a	4a														
	1-1823032-3	C	CuNiSi R690	CuSn R460	4a	4b	4c	8-10	7.5	7.8	4.2	10.4	10.2	6.2	7	4.4	14.4	0.9	36.1	
	1-1823032-1	C	CuNiSi R690	CuSn R460	4a	4a		9												
1-1823030-3	C	CuNiSi R690	CuSn R460	4a	4b	4c	4-6	6.3	6.6	3.1	6.9	7.2	3.9	6	3.8	12.1	0.6	33.8		
1-1823030-1	A	CuNiSi R690	CuSn R460	4a	4a															

THIS DRAWING IS A CONTROLLED DOCUMENT. DATE: 07MAY2009. DRAWING NO: 1823044. SCALE: 5:1. SHEET: 1 OF 1. REV: C13.

TOLERANCING ISO 8015 TOLERIERUNG ISO 8015

DMN: B.Hielscher 07MAY2009

CHK: W.Mueller 20MAY2009

APVD: V.Seidel 20MAY2009

NAME: MCON 9.5 RECEPTACLE MCON 9.5 Kontaktbuchse

SIZE: A1

SCALE: 5:1

SHEET: 1 OF 1

REV: C13

## X-ON Electronics

Largest Supplier of Electrical and Electronic Components

*Click to view similar products for [Automotive Connectors](#) category:*

*Click to view products by [TE Connectivity](#) manufacturer:*

Other Similar products are found below :

[003-018-000](#) [60993906-B](#) [72.330.1035.1](#) [73.353.4028.0](#) [F358300-B](#) [F407400](#) [776880-1](#) [827153-1](#) [8N1515-32-24P](#) [9-1326729-8](#) [925474-1](#)  
[928905-1](#) [964562-4](#) [968782-1](#) [98891-1012](#) [12004475-L](#) [12041318-B](#) [12052466](#) [12015909](#) [1-21030-1](#) [12041318](#) [12047957](#) [12185550](#)  
[12336-12](#) [12147304](#) [13681974](#) [13755420](#) [13783086](#) [13832576](#) [13542772](#) [1393425-2](#) [13964573](#) [1428188-1](#) [1437287-3](#) [1438231-5](#)  
[1428188-2](#) [DS00-7P-090](#) [DS07-19S-5020](#) [1456983-5](#) [1456987-7](#) [APD-7CP-H](#) [APK-SB25A10L](#) [1452931-2](#) [15317331](#) [15435215](#) [15491972](#)  
[15305306](#) [15369261](#) [15396680](#) [15470590](#)