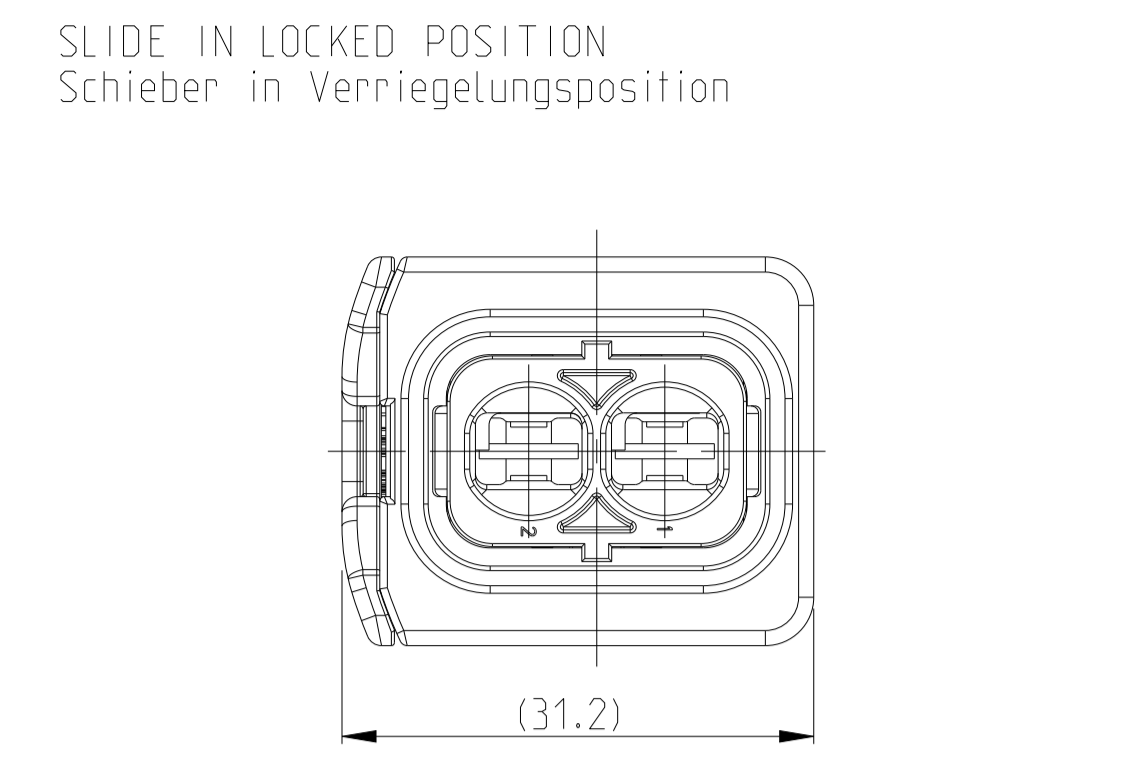
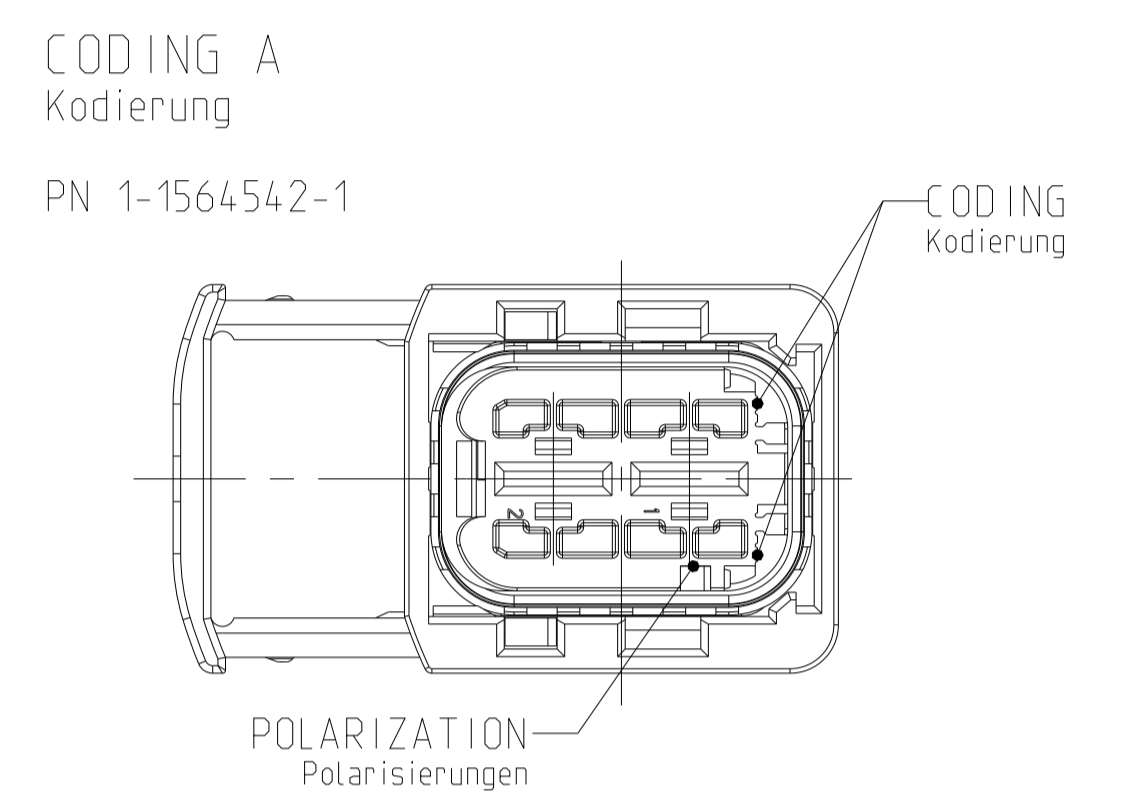
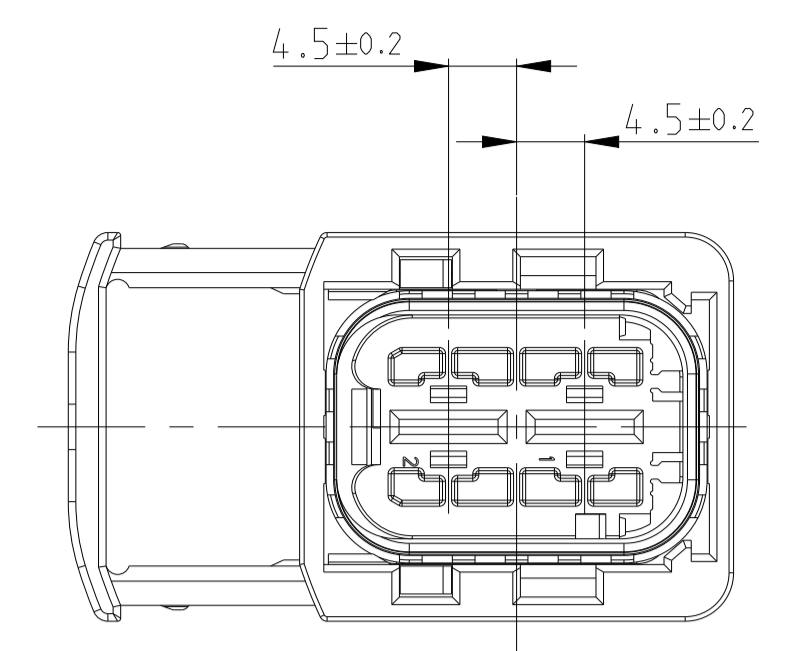


1-1564542-1 AS SHOWN  
1-1564542-1 wie gezeigt

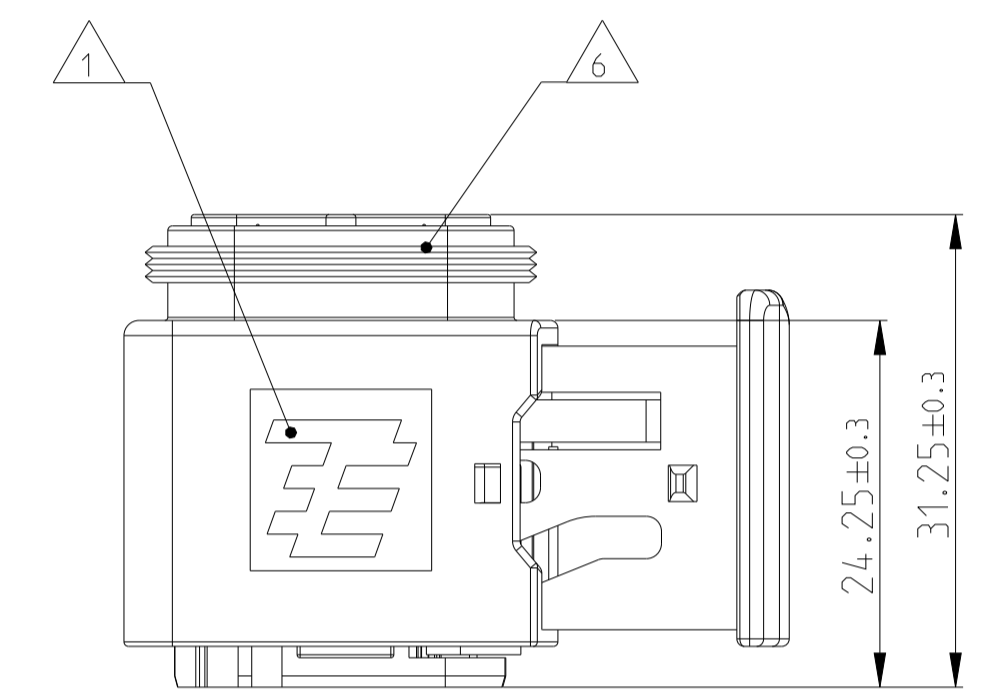
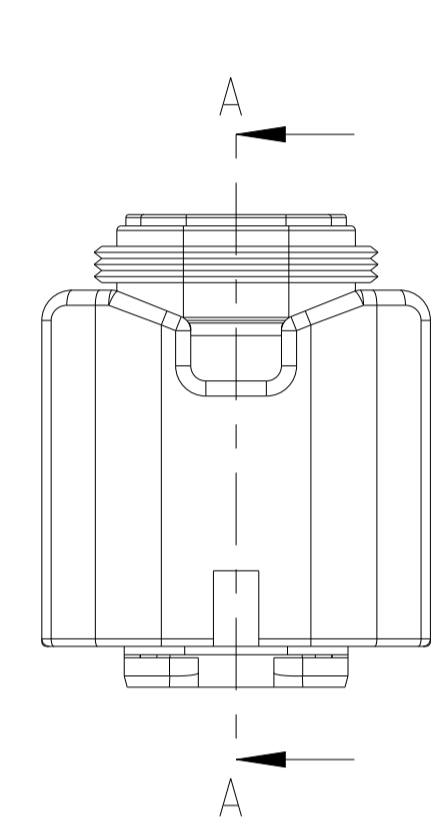
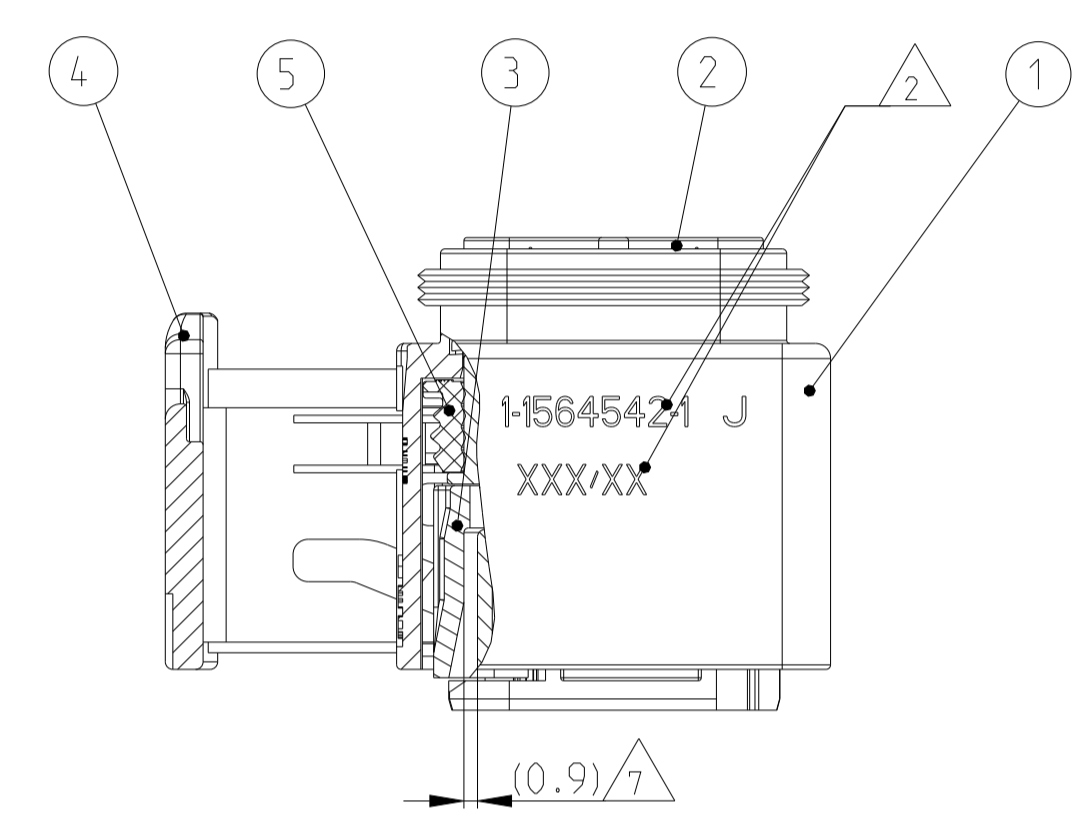
REV. NO.	DESCRIPTION	DATE	BY	APP'D
J	DETAILS SEE PCN E-12-007625	24MAY2012	MN	SKR
J1	ECR-15-007756	15MAY2015	SK	Krauss
J2	ECR-21-111166	24AUG2021	DRK	AW



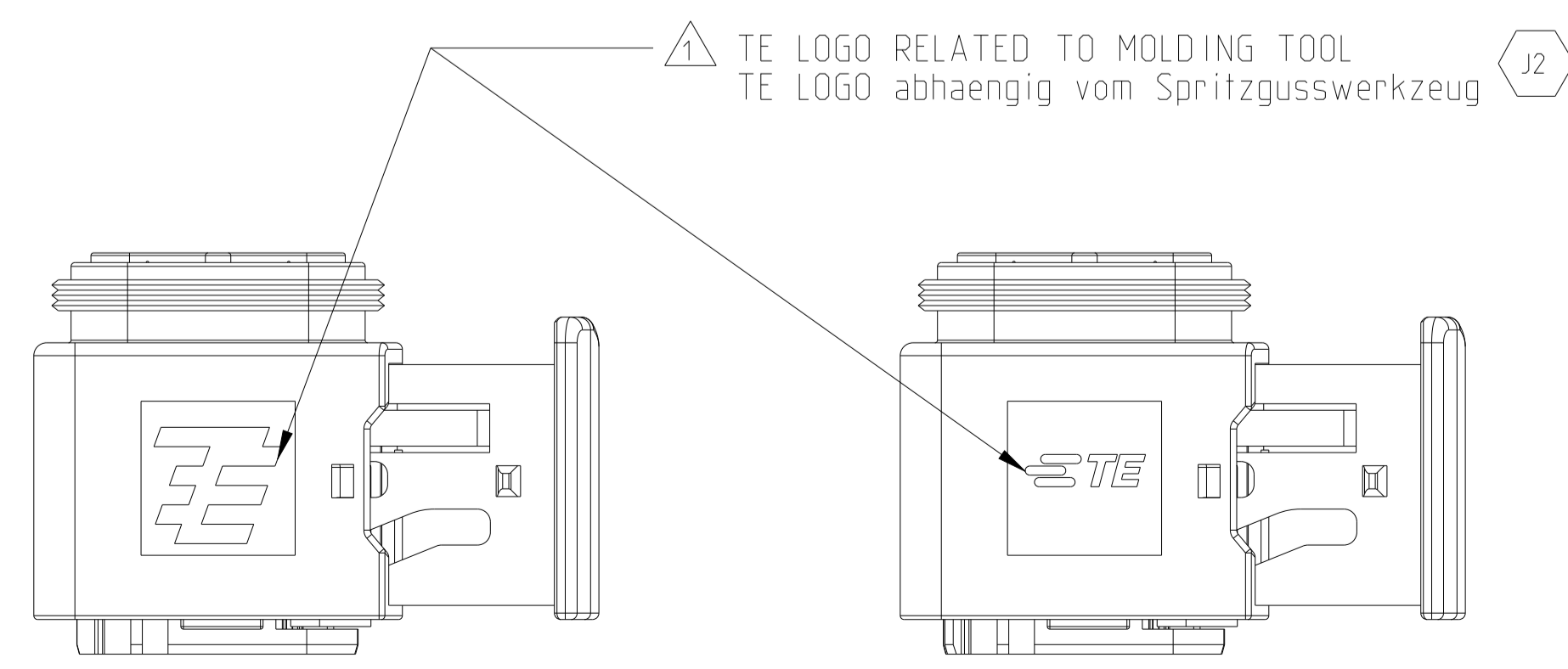
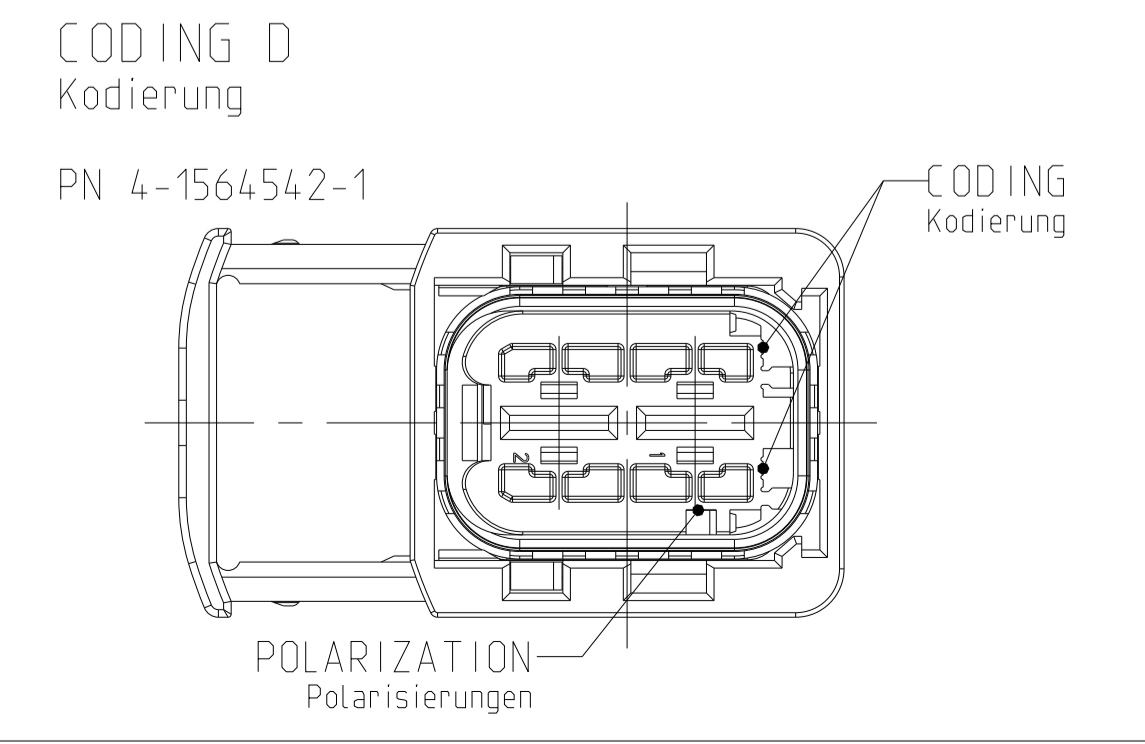
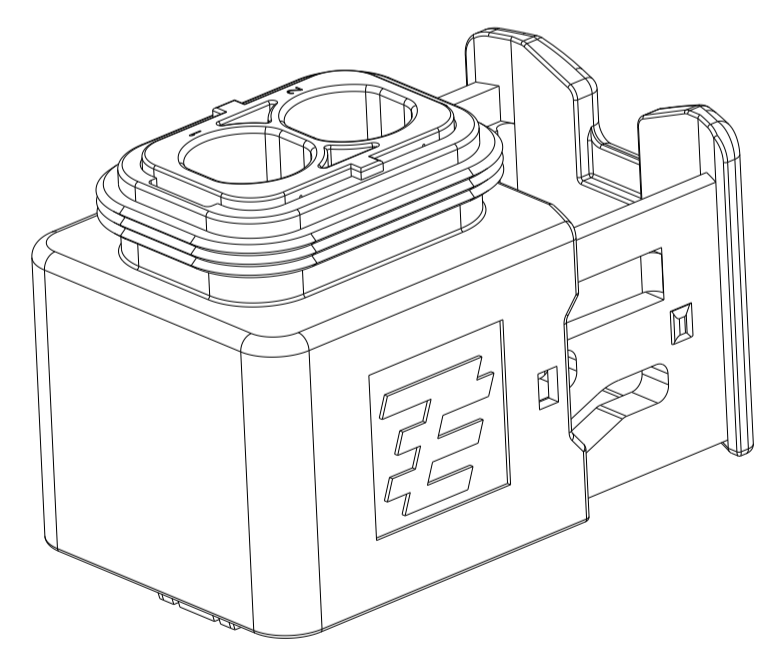
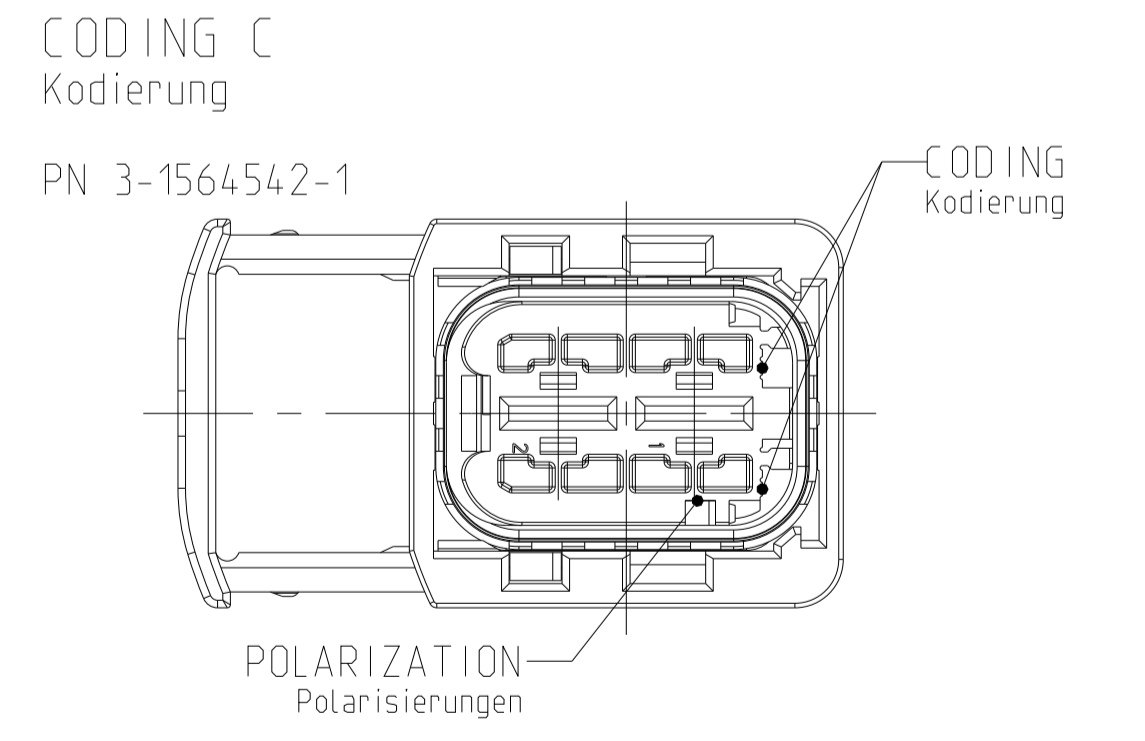
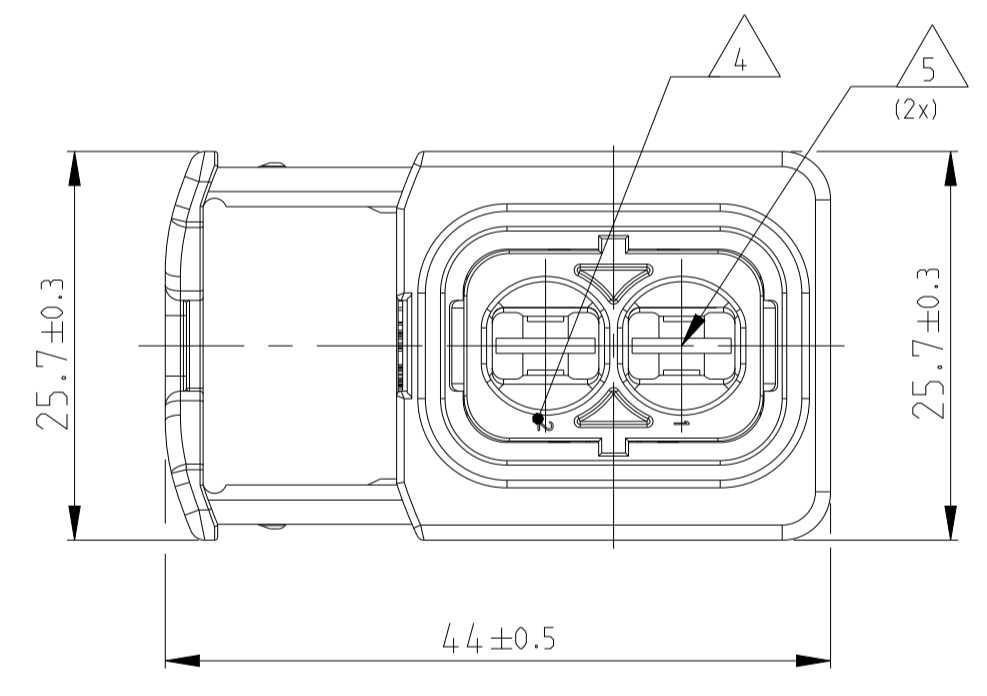
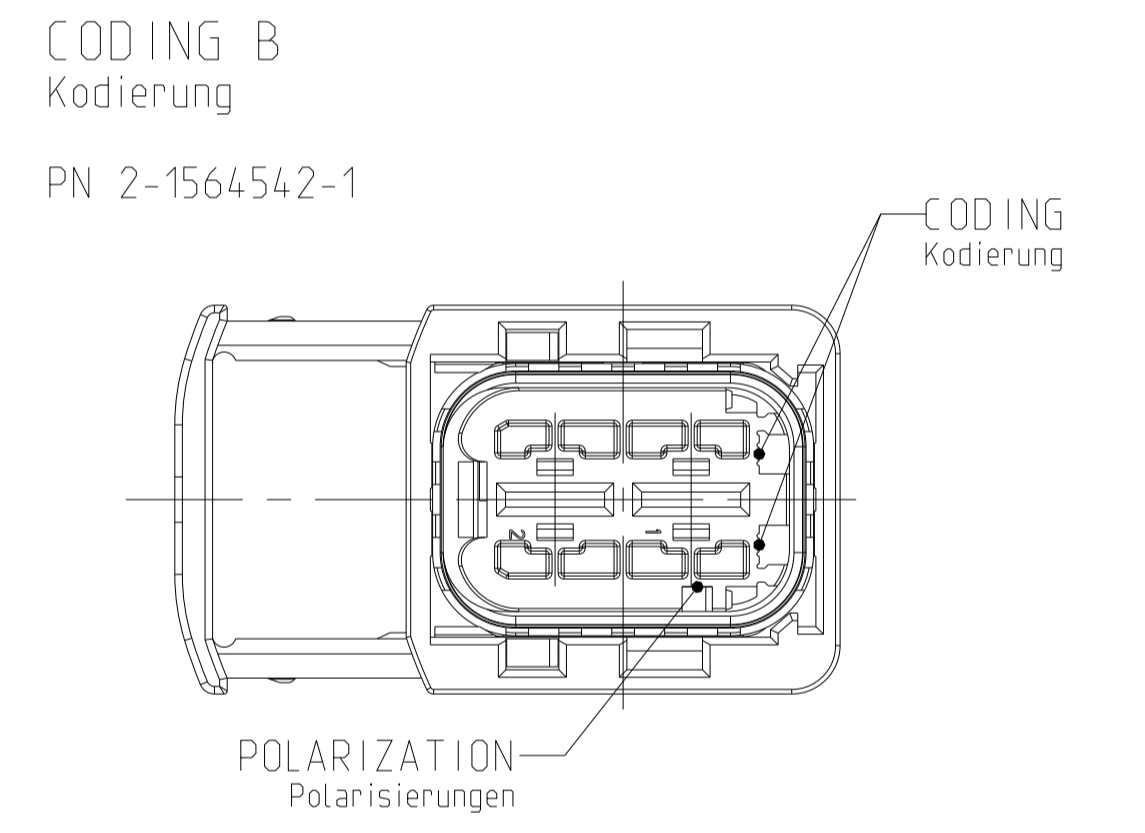
DELIVERY CONDITION:  
Lieferzustand:  
  
SECONDARY LOCKING AND SLIDE  
IN PRE-LOCKED POSITION  
2. Kontaktsicherung und Schieber  
in Vorraststellung



SECTION A-A  
Schnitt



- NOTES  
Bemerkungen
- TE LOGO  
TE Logo
  - ASSY PN, PRODUCTION DATE (CALENDAR DAY/YEAR):  
MARKING OPTIONAL AS LASER ENGRAVING OR  
LASER WITH COLOR CHANGE  
Assy PN, Produktionsdatum (Kalendertag/Jahr):  
Beschriftung wahlweise als Lasergravur oder Laser mit Farbumschlag
  - BULK PACKAGING IN CORRUGATED BOX  
Schuttgut im Versandkarton
  - CAVITY NUMBERING  
Kammer Bezeichnung
  - CAVITIES MATED WITH AMP MCP 6.3/4.8K  
SEE PRODUCT GROUP DRAWING  
TE NO: 1241438  
MAX. WIRE SIZE: 6.0mm<sup>2</sup> FLR  
  
Kontaktkammern passend fuer AMP MCP 6.3/4.8K  
siehe Produktgruppenzeichnung  
TE Nr.: 1241438  
max. Drahtgrossenbereich: 6.0mm<sup>2</sup> FLR
  - SUITABLE COVERS PN 1670057, 1670364  
Passende Kappen PN 1670057, 1670364
  - SLIDING DISTANCE OF SECONDARY LOCKING  
Verschiebeweg der 2. Kontaktsicherung
  - FITS TO TYCO INTERFACE DRAWING 114-18740-1  
Passend zur Ausfuehrungsvorschrift 114-18740-1
  - SUITABLE COUNTERPART TE-NO. 1564544, 1564546  
passendes Gegenstueck TE-Nr. 1564544, 1564546
  - MALFUNCTION CAUSED BY LACQUER IS NOT  
COVERED BY TYCO ELECTRONICS WARRANTY.  
Funktionsbeeintraechtigung durch Lackieren liegt nicht im  
Einfluss und Gewährleistungsumfang von Tyco Electronics.



ITEM NO	DESCRIPTION	COLOUR	MATERIAL
1	RECEPTACLE HOUSING	BLACK	PBT-GF30 / V-0
2	2POS. CAVITY BLOCK, CODE, 'A'	BLACK	PBT-GF30 / V-0
2	2POS. CAVITY BLOCK, CODE, 'B'	BLACK	PBT-GF30 / V-0
2	2POS. CAVITY BLOCK, CODE, 'C'	GREEN	PBT-GF30 / V-0
2	2POS. CAVITY BLOCK, CODE, 'D'	BLUE	PBT-GF30 / V-0
3	2POS. CAVITY BLOCK, CODE, 'D'	BLUE	PBT-GF30 / V-0
4	U-SLIDE	YELLOW	PBT-GF30 / V-0
5	SEAL	WHITE	MVO

TE ORDER-NO.	REV.	NO. OF POS.	CODE	QUANTITY	ITEM NO	DESCRIPTION
TE Bestell-Nr.		Polzahl	Kodierung	Stueck	ASSY	Beschreibung
4-1564542-1	J	2	D	1	4	2POS. AMP MCP6.3/4.8K, REC HSG, ASSY
3-1564542-1	J	2	C	1	3	2pos. AMP MCP6.3/4.8k. Buchsengehäuse
2-1564542-1	J	2	B	1	2	HDSCS - GROUP C
1-1564542-1	J	2	A	1	1	

THIS DRAWING IS A CONTROLLED DOCUMENT.		OWN	10FEB2009	TE Connectivity
OTHER INFORMATION: THIS DRAWING IS A CONTROLLED DOCUMENT. ANY CHANGES TO THIS DRAWING MUST BE APPROVED BY THE ORIGINAL DRAWING ENGINEER.		CHK	11FEB2009	
DIMENSIONS: MILLIMETERS		APVD	11FEB2009	NAME: 2pos. AMP MCP6.3/4.8K, REC HSG, ASSY PRODUCT SPEC: 108-94.020 APPLICATION SPEC: 114-10756
TOLERANCES UNLESS OTHERWISE SPECIFIED: DECIMAL TO USE 80% ANGLES 90 DEGREES FINISH SURFACE FINISH UNLESS OTHERWISE SPECIFIED		NAME	Ed. Eberwein	
MATERIAL: SEE TABLE	SCALE: 2:1	SIZE	A1	RESTRICTED TO NUR FÜR
SEE TABLE	SHEET 1 OF 1	WEIGHT	17.8 g	REV J2
SEE TABLE	CUSTOMER DRAWING	CAGE CODE	00779	
		FINISH SURFACE FINISH UNLESS OTHERWISE SPECIFIED	©=1564542	

## X-ON Electronics

Largest Supplier of Electrical and Electronic Components

*Click to view similar products for [Automotive Connectors](#) category:*

*Click to view products by [TE Connectivity](#) manufacturer:*

Other Similar products are found below :

[003-018-000](#) [60403001](#) [60993906-B](#) [M902-2131](#) [M902-2161](#) [72.330.1035.1](#) [73.353.4028.0](#) [F119300-B](#) [F166900](#) [F258300-B](#) [F358300-B](#)  
[F407400](#) [F444110](#) [F487000](#) [F509500B-B](#) [827153-1](#) [8N1515-32-24P](#) [9-1326729-8](#) [925474-1](#) [928905-1](#) [964562-4](#) [968782-1](#) [GT17SA-8DS-](#)  
[HU](#) [98891-1012](#) [98947-1016](#) [12004147](#) [12004475-L](#) [12010290](#) [12010309-B](#) [12015454](#) [12020219-B](#) [12020308](#) [12041318-B](#) [12052225-L](#)  
[12052466](#) [12059125](#) [12064869](#) [12004327-B](#) [12010503-B](#) [12015308](#) [12015384](#) [12015909](#) [1-21030-1](#) [12041254](#) [12041318](#) [12047946-B](#)  
[12047957](#) [12047957-L](#) [12059473](#) [12066261](#)