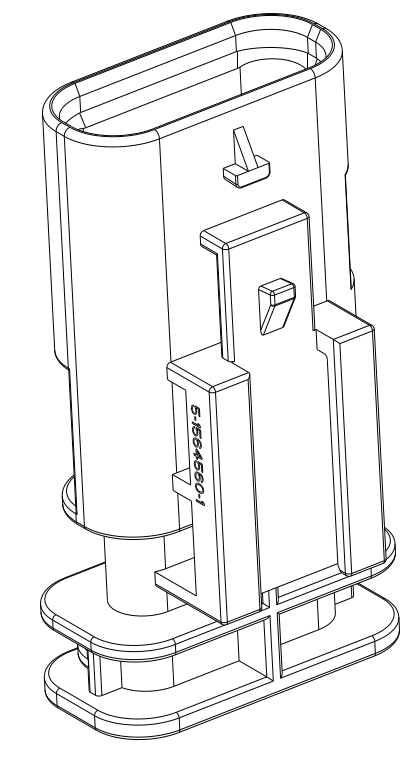
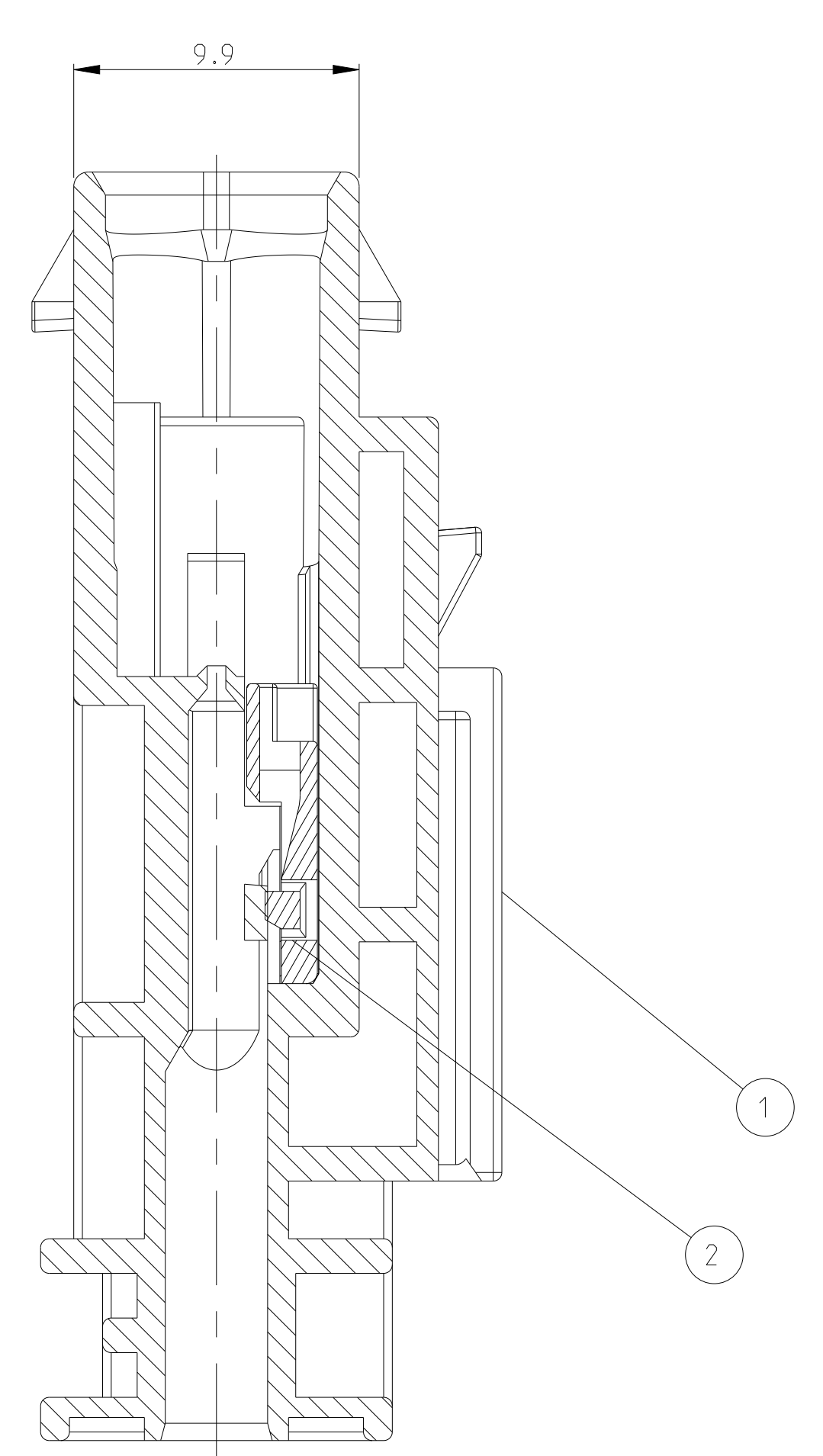
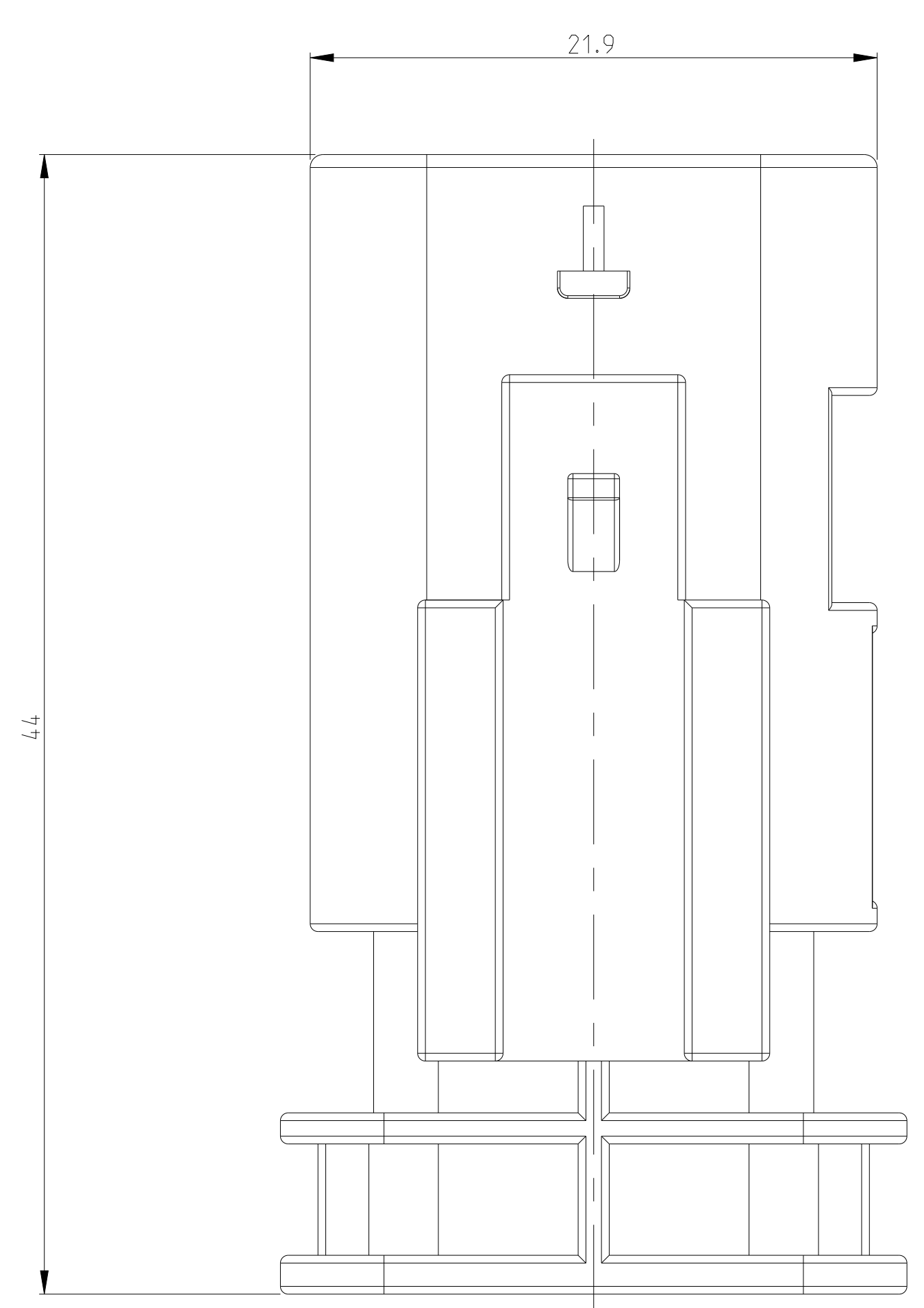
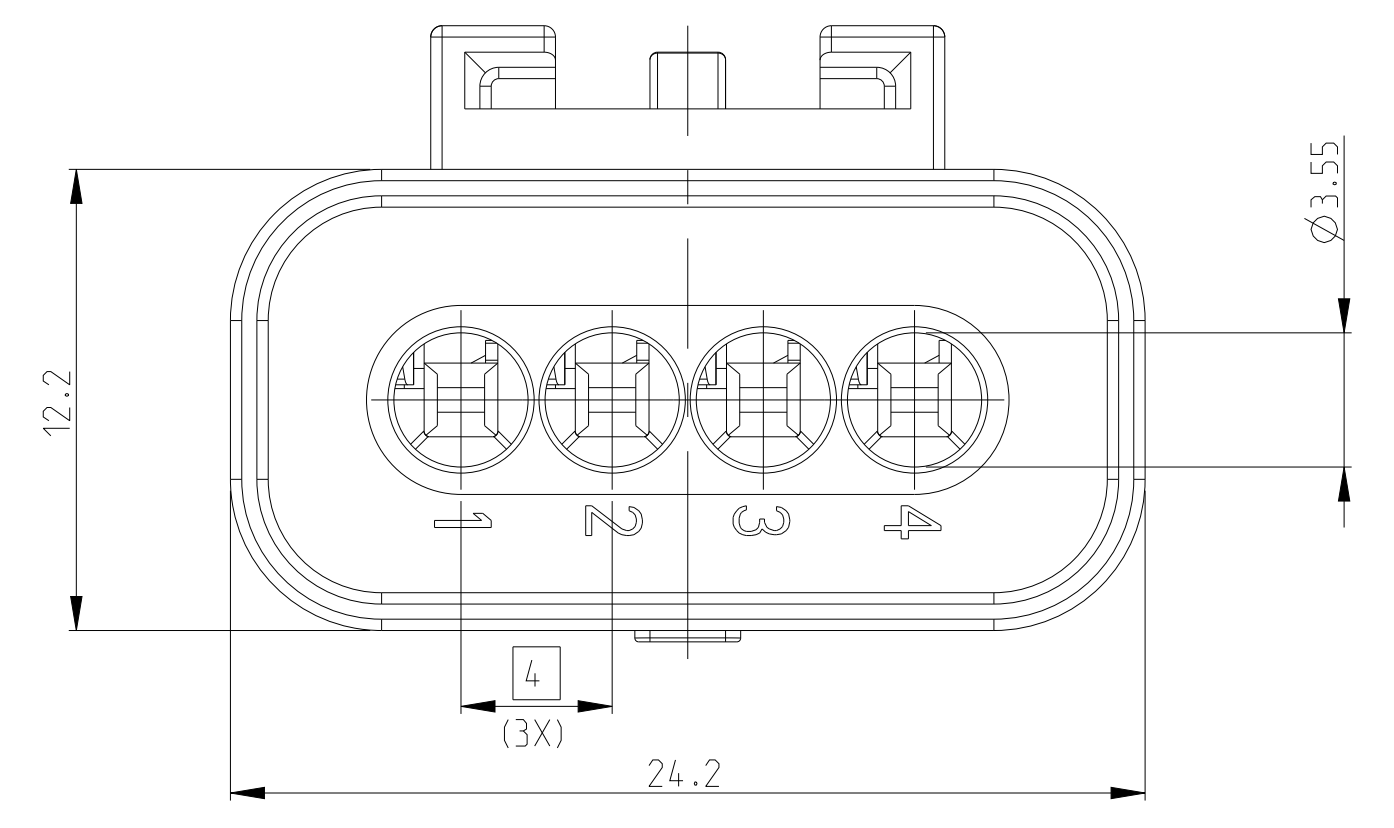


# SHOWN 1-1564559-1

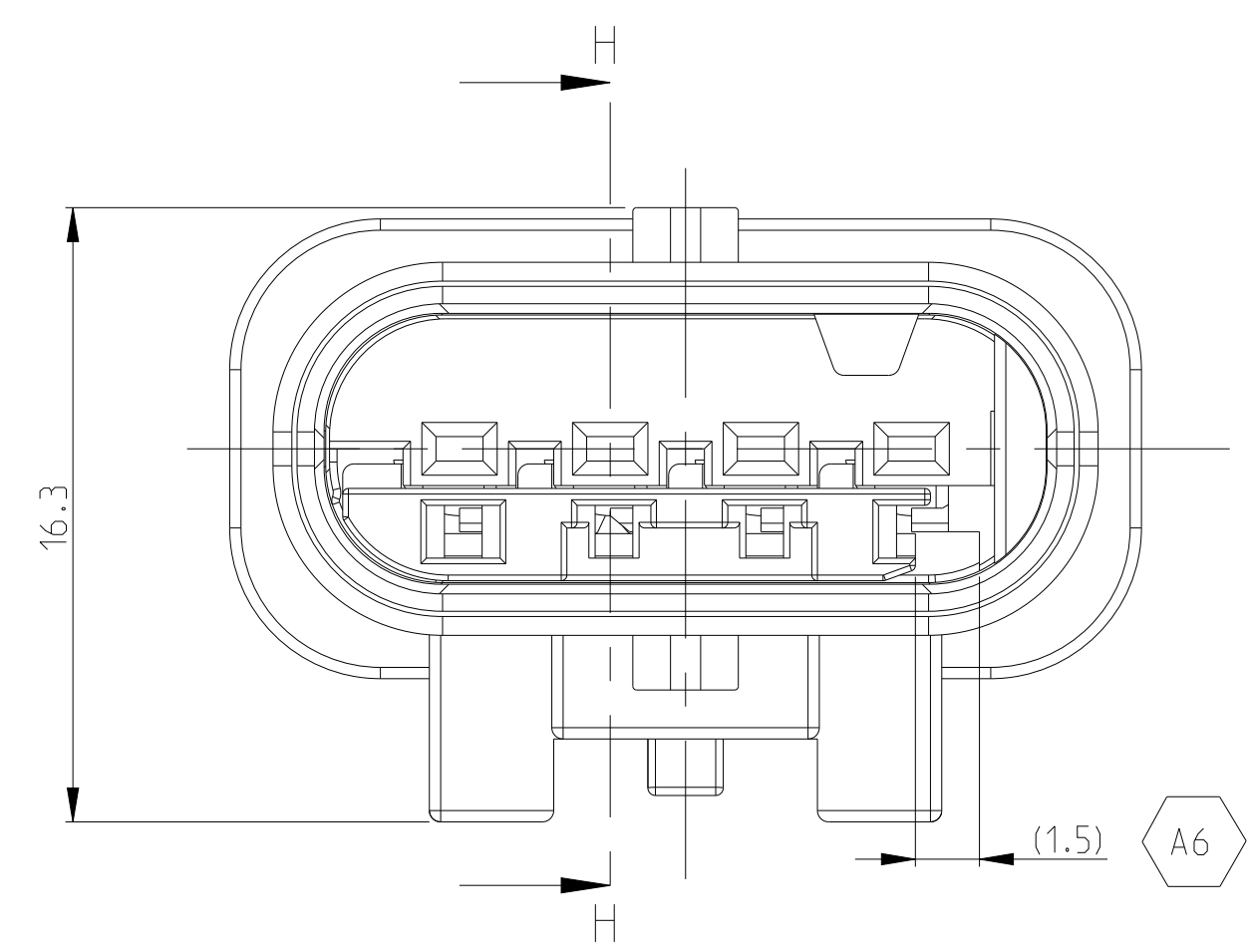


2.1

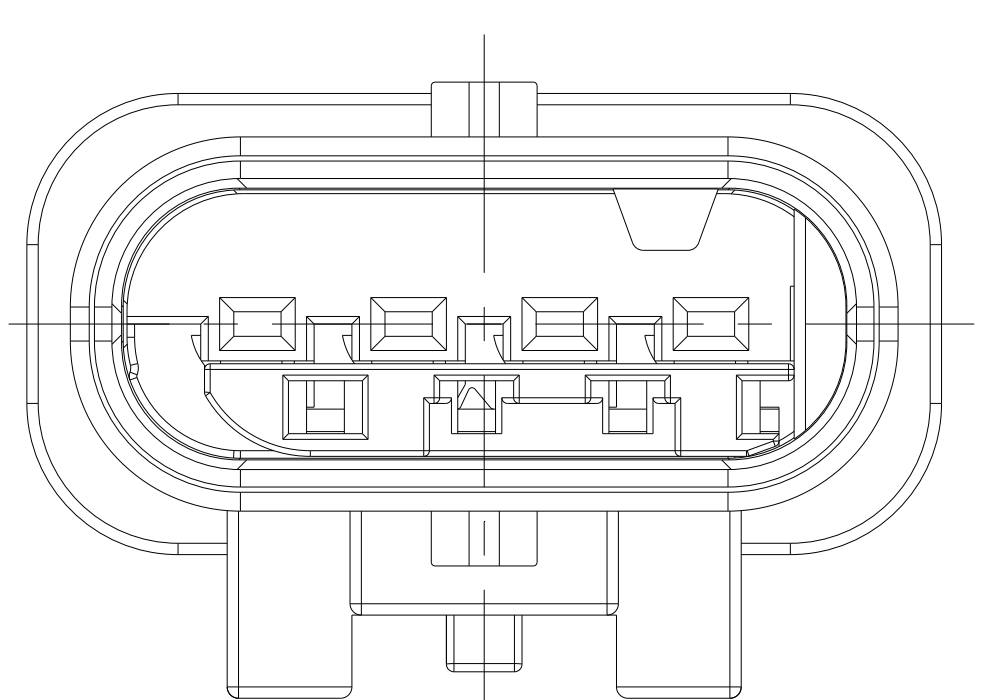


H-H

RETAINER IN PRE LOCKED POSITION  
Kontaktsicherung in Vorraststellung

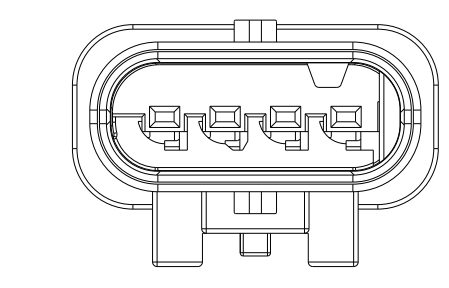


RETAINER IN FINAL LOCKED POSITION  
2. Kontaktsicherung in Endraststellung

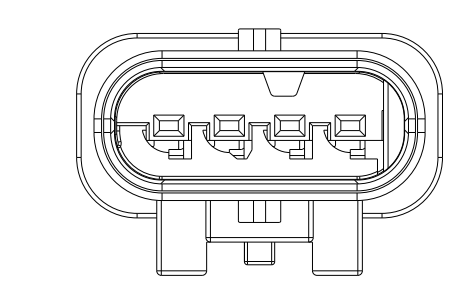


RETAINER MOVING DIRECTION  
2. Kontaktsicherung Verschiebeweg

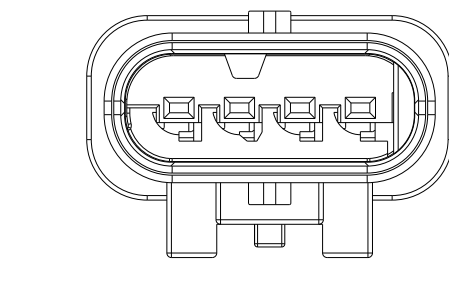
## CODINGS 2:1



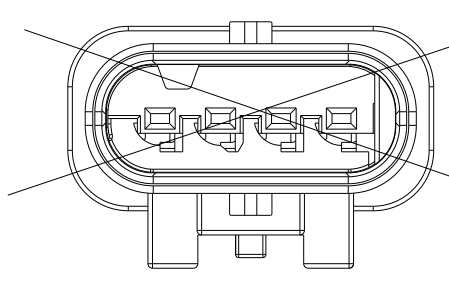
**A** 1-1564559-1 (BLACK)  
1-1564559-4 (YELLOW FOR GM)



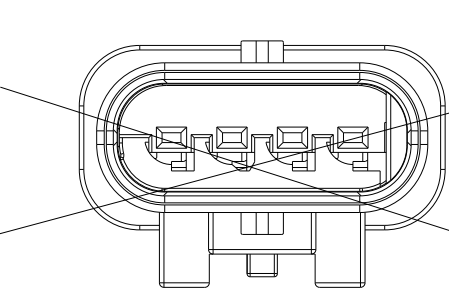
**B** 2-1564559-1 (GREY)  
2-1564559-4 (YELLOW FOR GM)



**C** 3-1564559-1  
3-1564559-4 (YELLOW FOR GM)

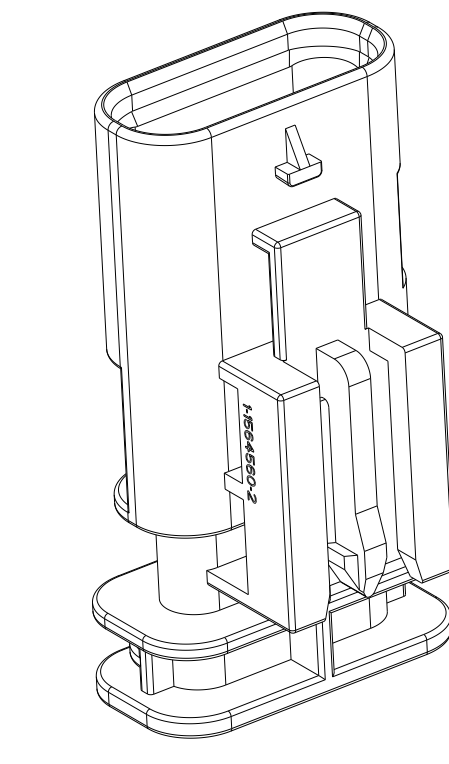


**D** 4-1564559-1

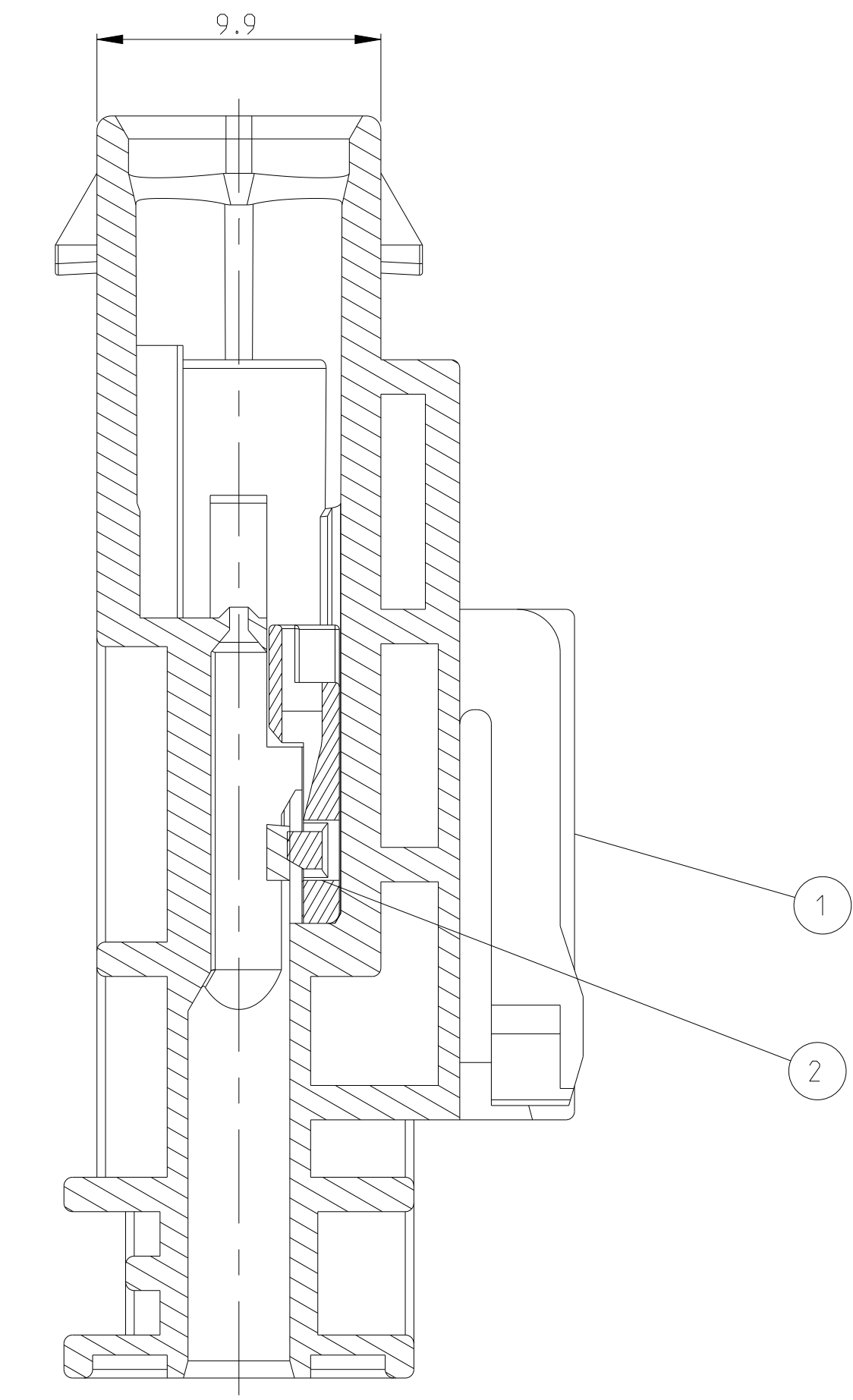
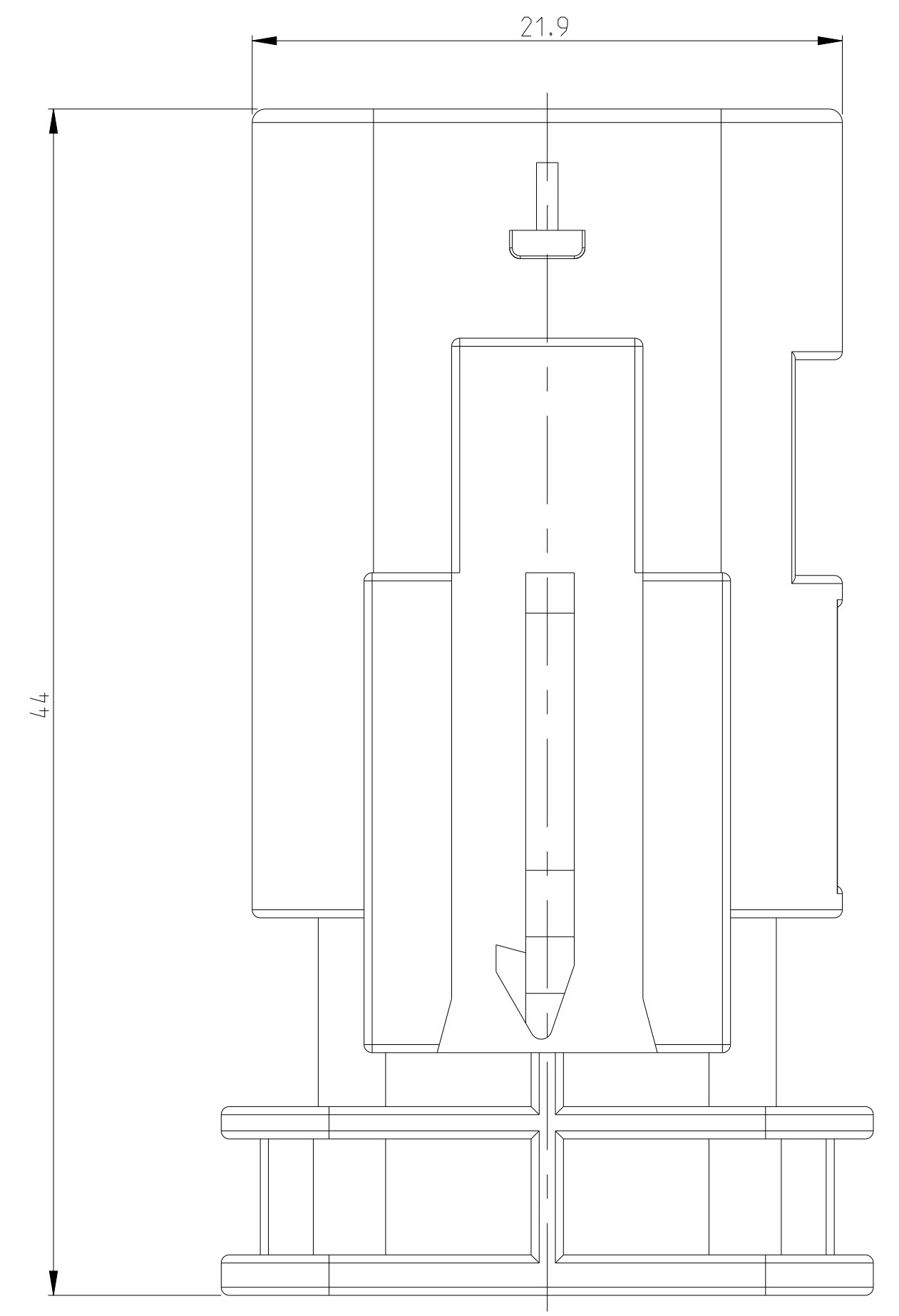
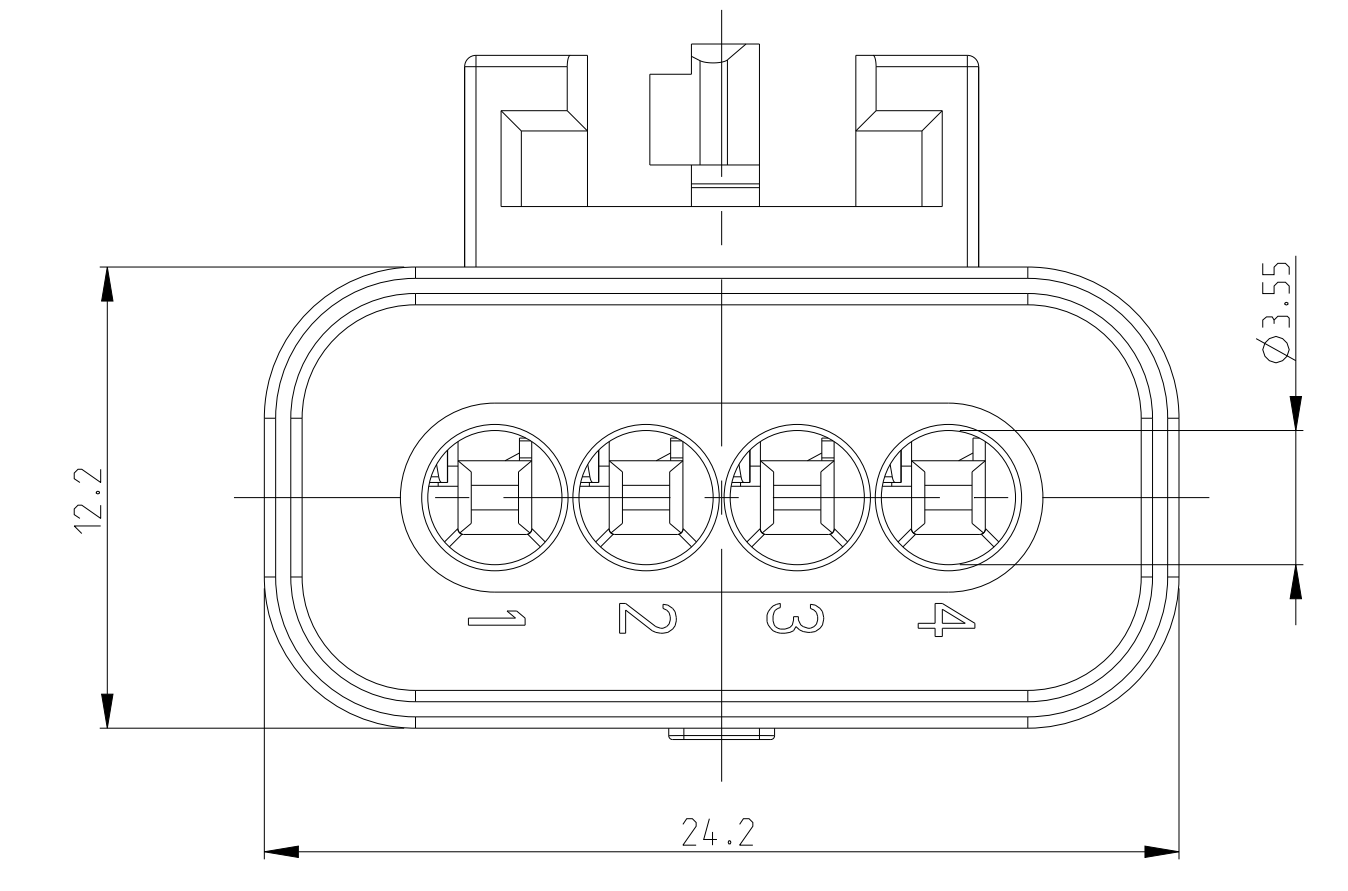


**Z** 5-1564559-1

# SHOWN 1-1564559-2

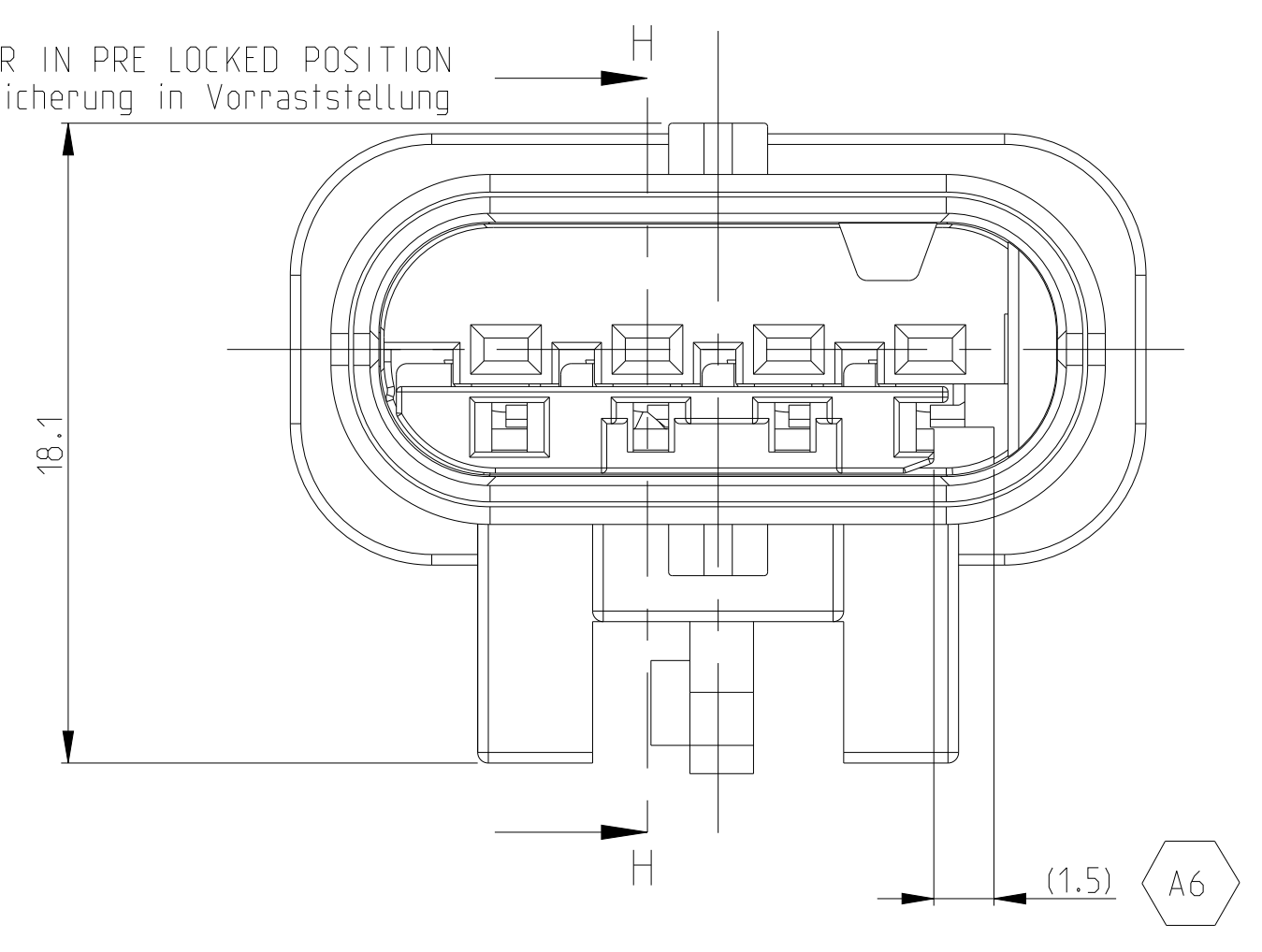


2.1

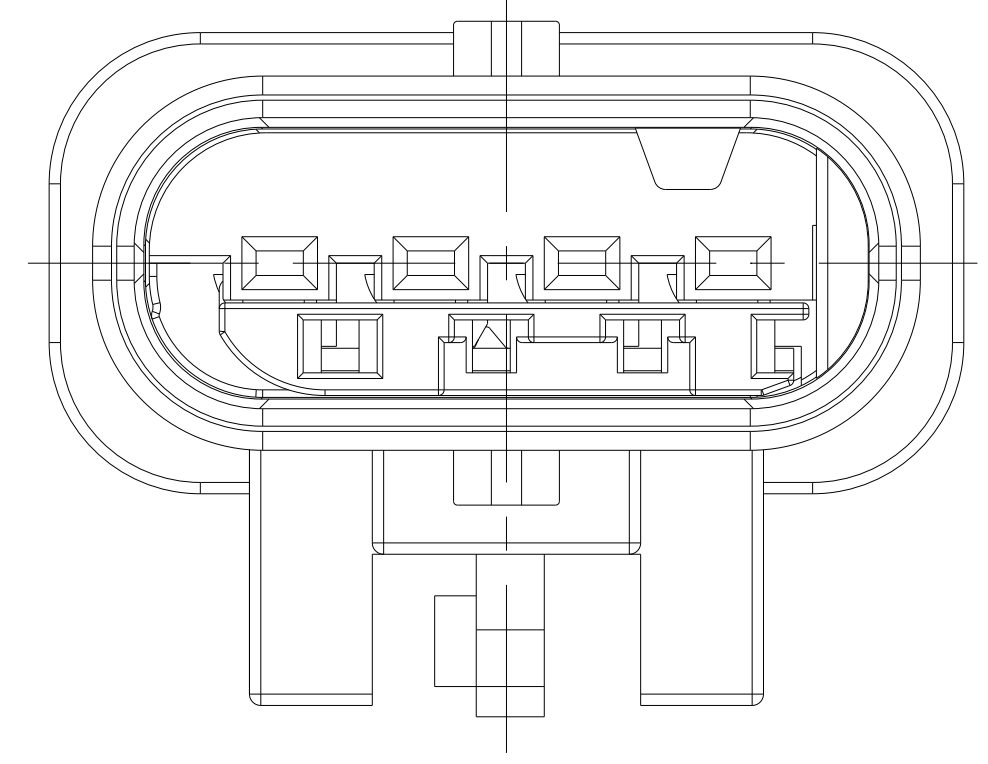


H-H

RETAINER IN PRE LOCKED POSITION  
Kontaktsicherung in Vorraststellung



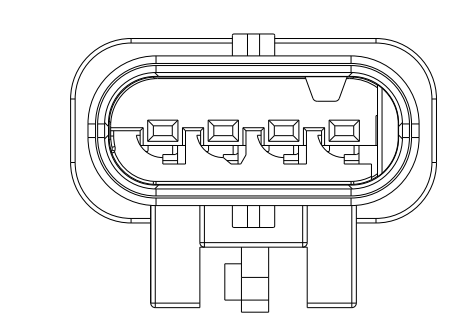
RETAINER IN FINAL LOCKED POSITION  
2. Kontaktsicherung in Endraststellung



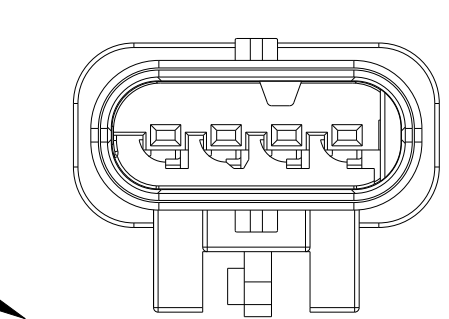
RETAINER MOVING DIRECTION  
2. Kontaktsicherung Verschiebeweg

REV	DATE	DESCRIPTION	BY	CHK	APPD
A4	16APR2011	PCN E-11-008327		MT	HR
A5	06NOV2014	PCN E-14-014884		MT	HR
A6	20NOV2021	PCN-21-119051		BV	LSZ

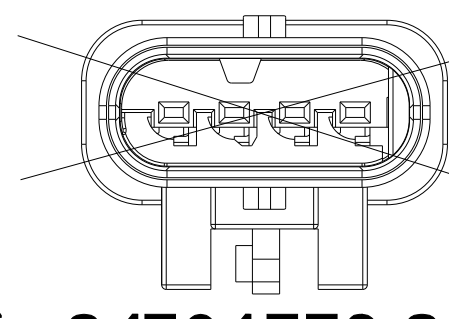
## CODINGS 2:1



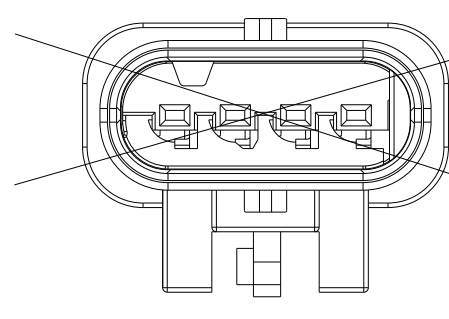
**A** 1-1564559-2 (BLACK)



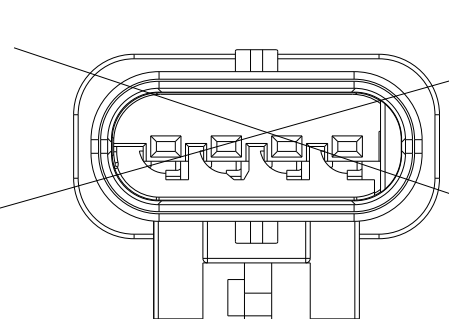
**B** 2-1564559-2 (GREY)



**C** 3-1564559-2



**D** 4-1564559-2



**Z** 5-1564559-2

TE-PN TERMINALS	WIRE RANGE	TE-PN SINGLE WIRE SEAL	TE-PN BLIND PLUG
2141868	0.08 - 0.22mm <sup>2</sup>	967067-2	
1718758	0.25 - 0.35mm <sup>2</sup>	967067-2	967056-1
1718760	0.5 - 0.75mm <sup>2</sup>	967067-1	
1718762	1mm <sup>2</sup>	967067-1	

TERMINAL TE-APPLICATION SPEC.: 114-18464.

TE SUITABLE FEMALE HSG. PASSENDE BUCHSENGH.	TE- Bestell-Nr. ORDER-NO.	ASSY REV. CODE	Benennung TITLE	QTY	Benennung Einzelteil TITLE	Werkstoff MATERIAL	Oberflaeche/Farbe SURFACE/COLOUR	Pos. ITEM
	5-1564559-2	A	Z	1	Kontaktsicherung RETAINER	PA66-GF35	violett/VIOLET	2
	4-1564559-2	A	D	1	Stiftgehaeuse 4pol. MALE HOUSING 4POS.	PBT-GF30	schwarz/BLACK	1z
	3-1564559-2	A	C	1	Stiftgehaeuse 4pol. MALE HOUSING 4POS.	PA66-GF35	violett/VIOLET	2
	2-1670918-2	A	B	1	Stiftgehaeuse 4pol. MALE HOUSING 4POS.	PBT-GF30	schwarz/BLACK	1c
	1-1670918-2	A	A	1	Stiftgehaeuse 4pol. MALE HOUSING 4POS.	PA66-GF35	violett/VIOLET	2

3-1670918-1	3-1564559-4	A	C	1	Kontaktsicherung RETAINER	PA66-GF35	violett/VIOLET	2
2-1670918-1	2-1564559-4	A	B	1	Stiftgehaeuse 4pol. MALE HOUSING 4POS.	PBT-GF30	gelb/YELLOW	1c
1-1670918-1	1-1564559-4	A	A	1	Stiftgehaeuse 4pol. MALE HOUSING 4POS.	PA66-GF35	violett/VIOLET	2
	5-1564559-1	A	Z	1	Kontaktsicherung RETAINER	PBT-GF30	schwarz/BLACK	1z
	4-1564559-1	A	D	1	Stiftgehaeuse 4pol. MALE HOUSING 4POS.	PA66-GF35	violett/VIOLET	2
	3-1564559-1	A	C	1	Stiftgehaeuse 4pol. MALE HOUSING 4POS.	PBT-GF30	schwarz/BLACK	1c
2-1670918-1	2-1564559-1	A	B	1	Stiftgehaeuse 4pol. MALE HOUSING 4POS.	PA66-GF35	violett/VIOLET	2
1-1670918-1	1-1564559-1	A	A	1	Stiftgehaeuse 4pol. MALE HOUSING 4POS.	PBT-GF30	grau/GREY	1b

TE SUITABLE FEMALE HSG. PASSENDE BUCHSENGH.	TE- Bestell-Nr. ORDER-NO.	ASSY REV. CODE	Benennung TITLE	QTY	Benennung Einzelteil TITLE	Werkstoff MATERIAL	Oberflaeche/Farbe SURFACE/COLOUR	Pos. ITEM
	5-1564559-2	A	Z	1	Kontaktsicherung RETAINER	PA66-GF35	violett/VIOLET	2
	4-1564559-2	A	D	1	Stiftgehaeuse 4pol. MALE HOUSING 4POS.	PBT-GF30	schwarz/BLACK	1z
	3-1564559-2	A	C	1	Stiftgehaeuse 4pol. MALE HOUSING 4POS.	PA66-GF35	violett/VIOLET	2
	2-1670918-2	A	B	1	Stiftgehaeuse 4pol. MALE HOUSING 4POS.	PBT-GF30	schwarz/BLACK	1c
	1-1670918-2	A	A	1	Stiftgehaeuse 4pol. MALE HOUSING 4POS.	PA66-GF35	violett/VIOLET	2

REGRIND MAX. 25%

THIS DRAWING IS A CONTROLLED DOCUMENT. DATE: 07 JUL 2008. BY: LOESES. CH: RIBBER. G: MUMPER. APPROVAL DATE: 08 JUL 2008.

DIMENSIONS: DIM: 0 PFC 0.5, 1 PFC 0.5, 2 PFC 0.5, 3 PFC 0.5, 4 PFC 0.5, 5 PFC 0.5, 6 PFC 0.5, 7 PFC 0.5, 8 PFC 0.5, 9 PFC 0.5, 10 PFC 0.5.

MATERIAL: FINISH: WEIGHT: 6.76g. CUSTOMER DRAWING: SCALE: 5:1. SHEET: 1 OF 1. REV: A6.

MALE HOUSING, 4Pos., MCON 1.2 SEALED TOP / SIDE LATCH  
 Stiftgehaeuse, 4pol., MCON 1.2 gedichtet

STE TE Connectivity

## X-ON Electronics

Largest Supplier of Electrical and Electronic Components

*Click to view similar products for [Automotive Connectors](#) category:*

*Click to view products by [TE Connectivity](#) manufacturer:*

Other Similar products are found below :

[003-018-000](#) [60993906-B](#) [M902-2131](#) [M902-2161](#) [M902-2344](#) [72.330.1035.1](#) [73.353.4028.0](#) [F166900](#) [F358300-B](#) [F407400](#) [776880-1](#)  
[827153-1](#) [8N1515-32-24P](#) [9-1326729-8](#) [925474-1](#) [928905-1](#) [964562-4](#) [968782-1](#) [98891-1012](#) [12004475-L](#) [12020308](#) [12041318-B](#)  
[12052466](#) [12064869](#) [12015909](#) [1-21030-1](#) [12041254](#) [12041318](#) [12047946-B](#) [12110546-B](#) [12131792](#) [12084688](#) [12092346](#) [HD34-18-14PT](#)  
[HD46-24-23SN-059](#) [HDB36-24-16PN-059](#) [HDP26-24-9SE-L015](#) [12185280](#) [12185550](#) [12336-12](#) [12191172-B](#) [12S](#) [13545280](#) [13577943](#)  
[13681974](#) [13737722-B](#) [13830674](#) [13832576](#) [13849772](#) [13542772](#)