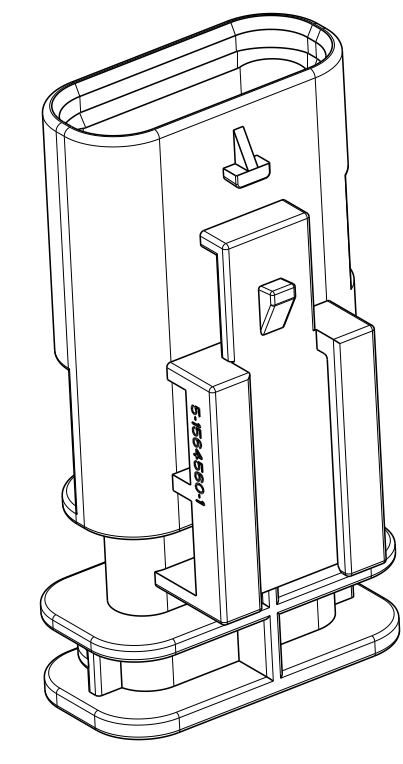
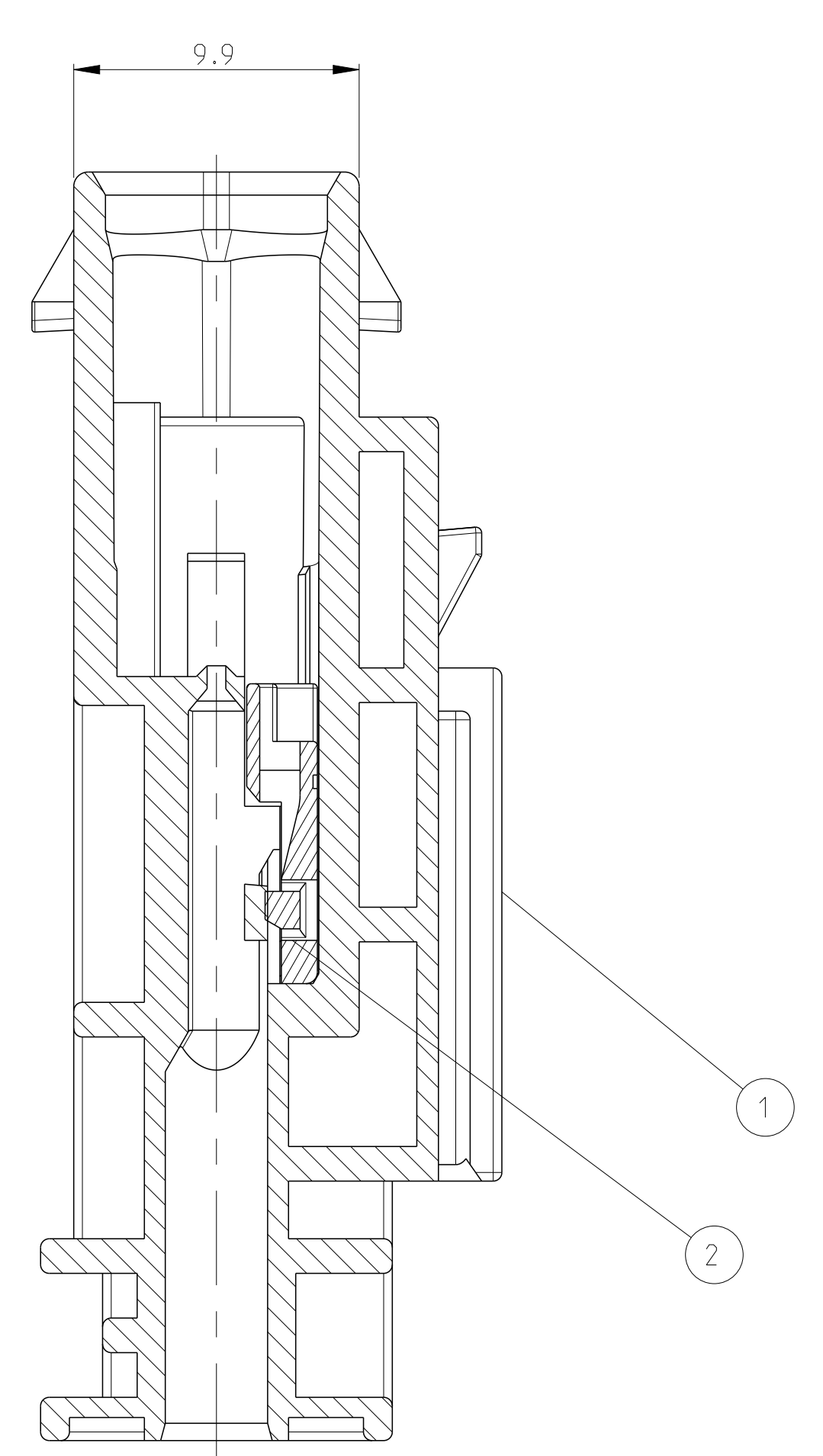
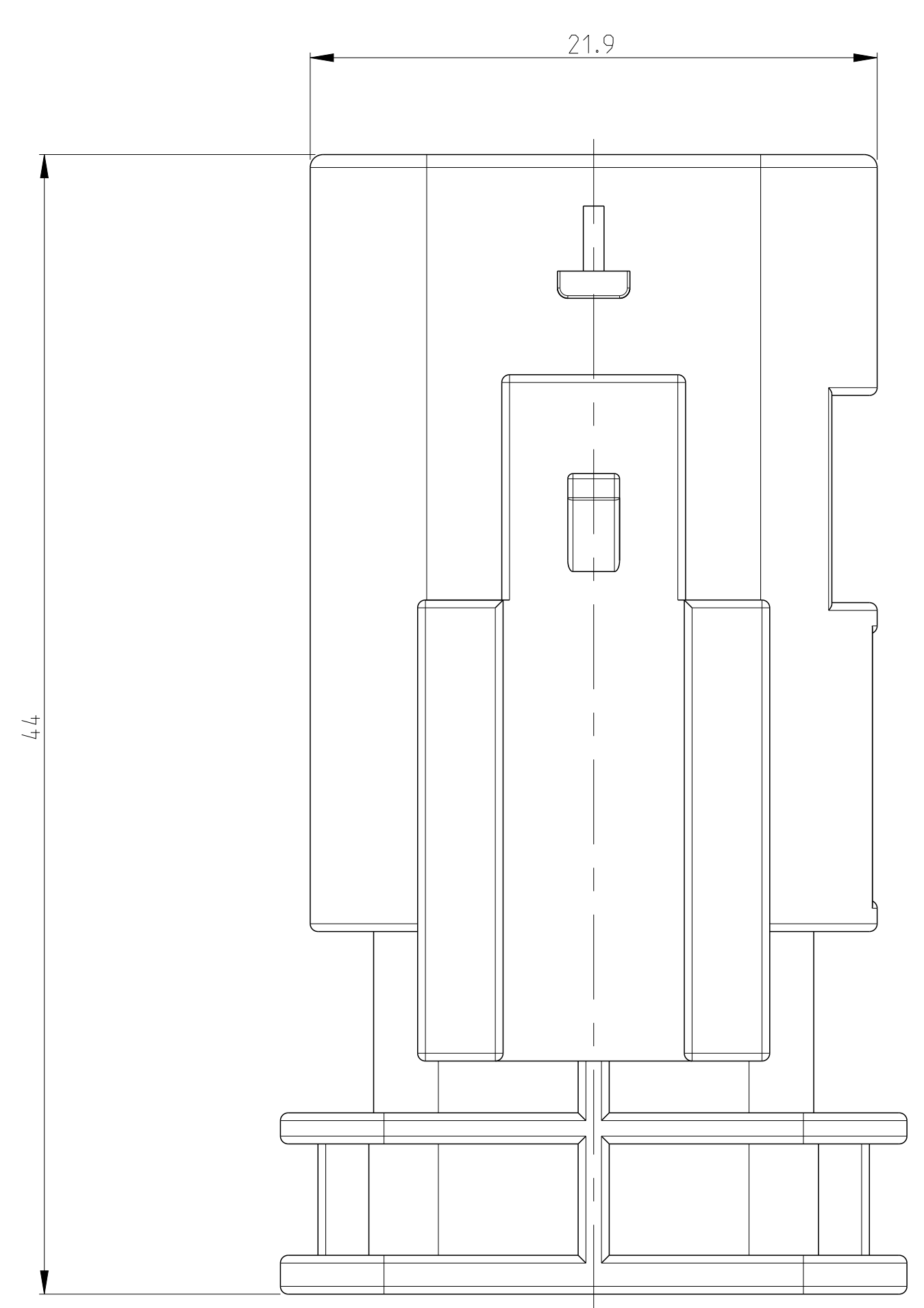
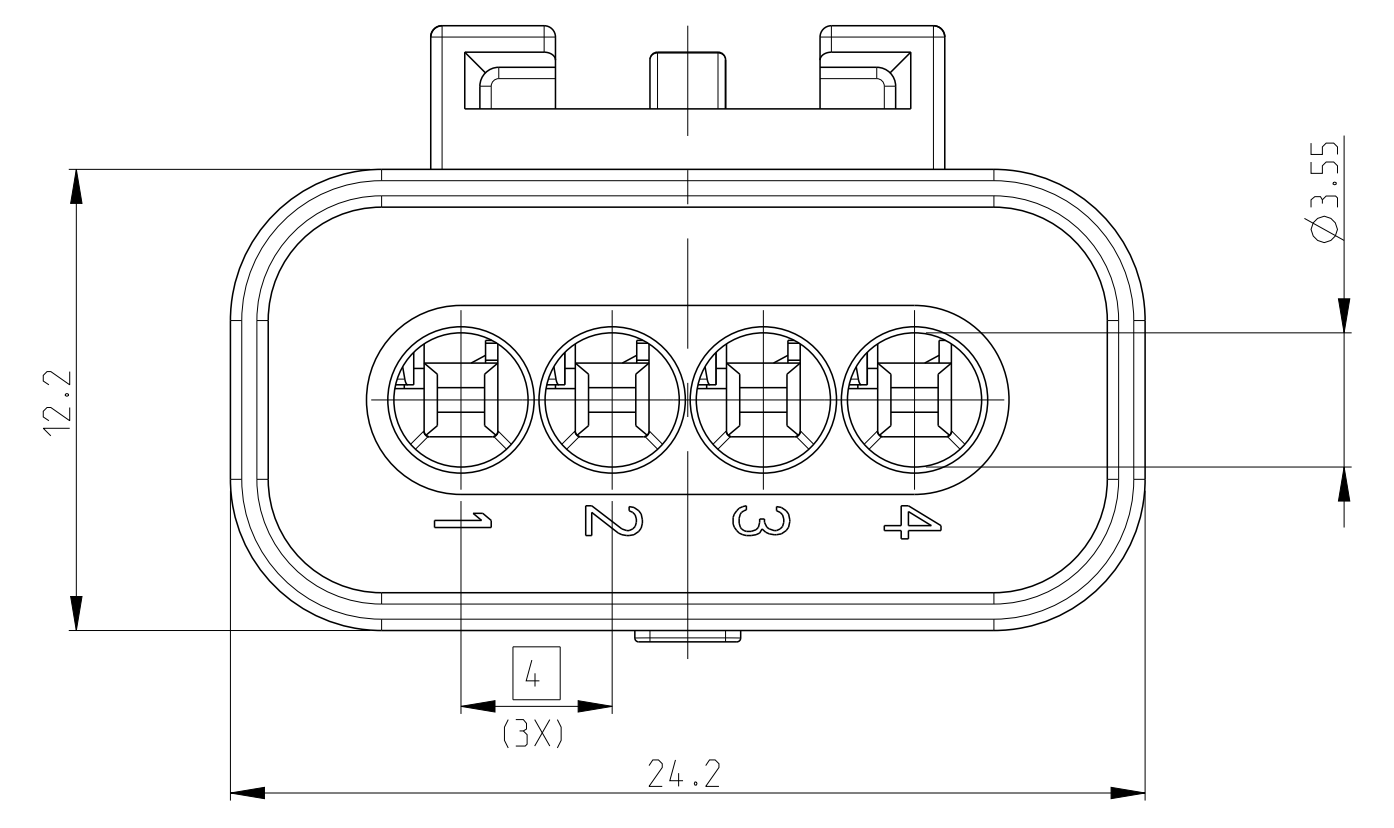


# SHOWN 1-1564559-1

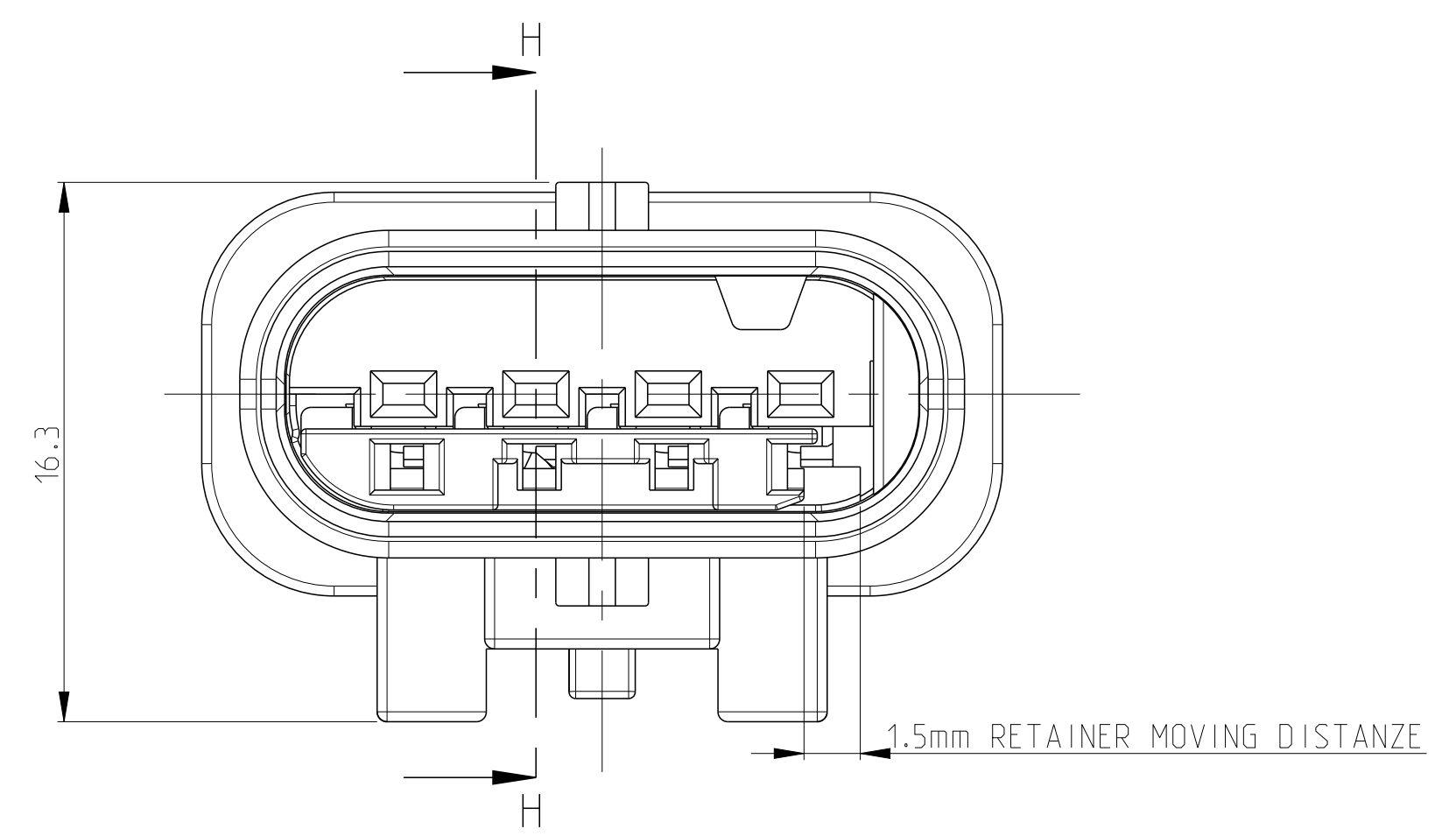


2:1

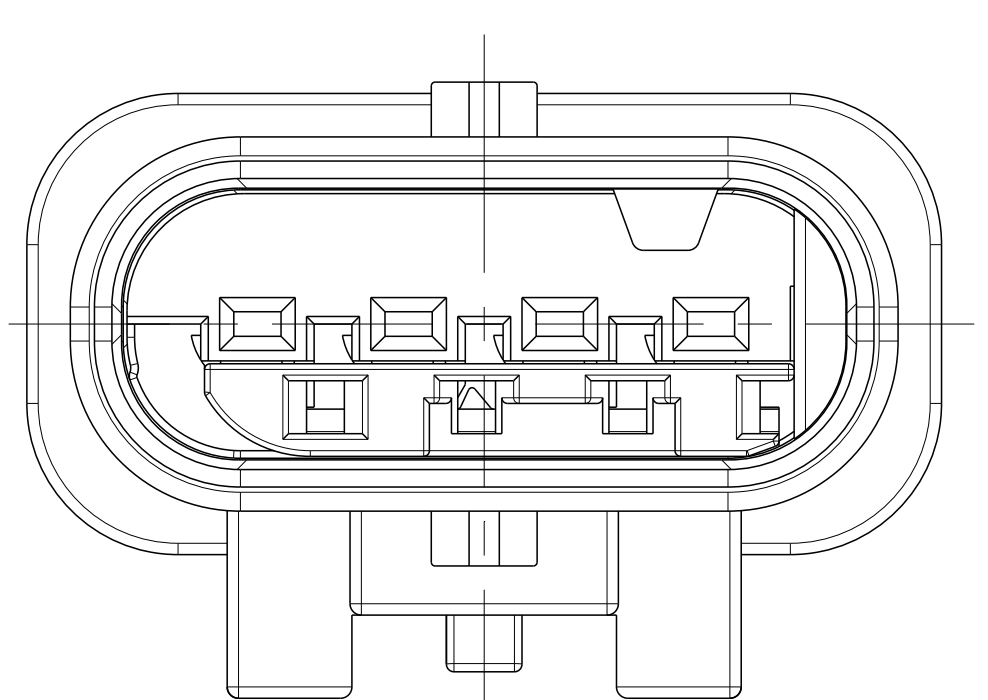


H-H

RETAINER IN PRE LOCKED POSITION  
Kontaktsicherung in Vorraststellung

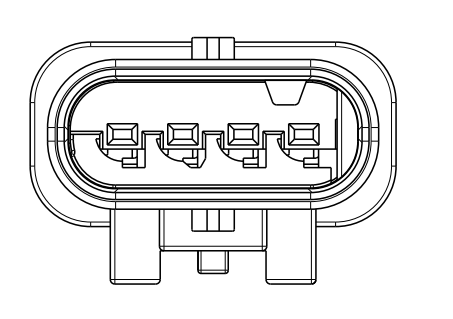


RETAINER IN FINAL LOCKED POSITION  
2. Kontaktsicherung in Endraststellung

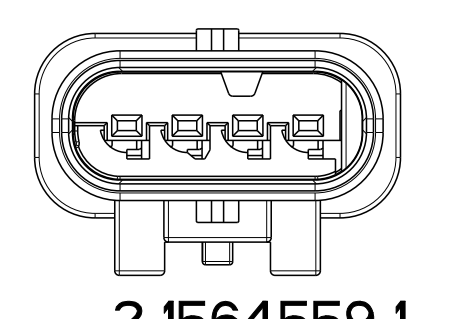


RETAINER MOVING DIRECTION  
2. Kontaktsicherung Verschiebeweg

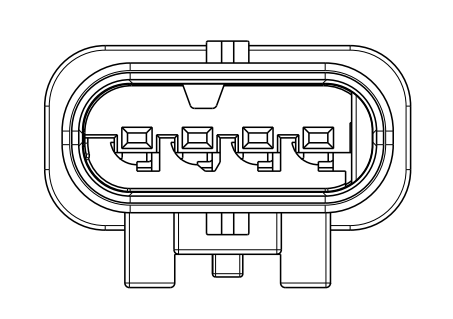
## CODINGS 2:1



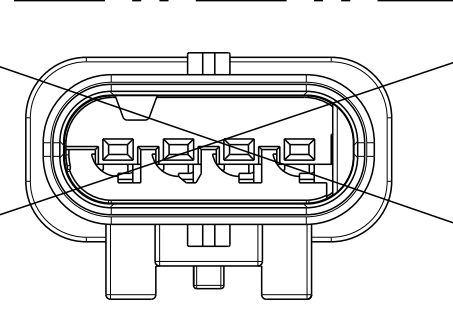
**A** 1-1564559-1  
(BLACK)  
1-1564559-4  
(YELLOW FOR GM)



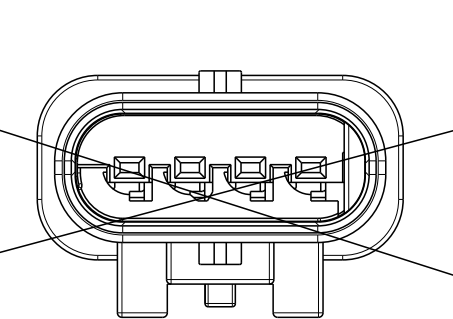
**B** 2-1564559-1  
(GREY)  
2-1564559-4  
(YELLOW FOR GM)



**C** 3-1564559-1  
3-1564559-4  
(YELLOW FOR GM)

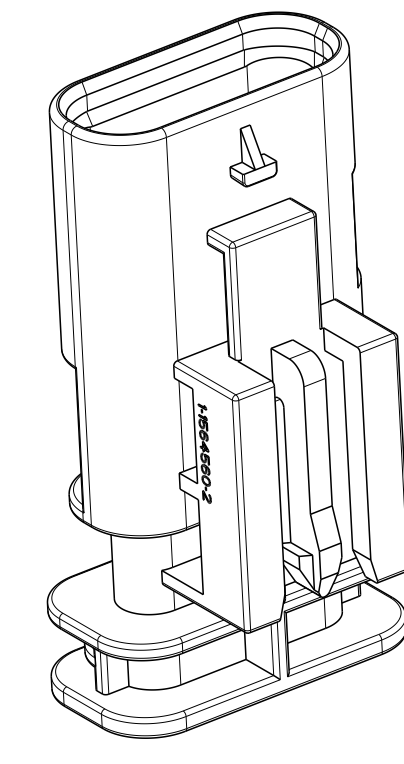


**D** 4-1564559-1

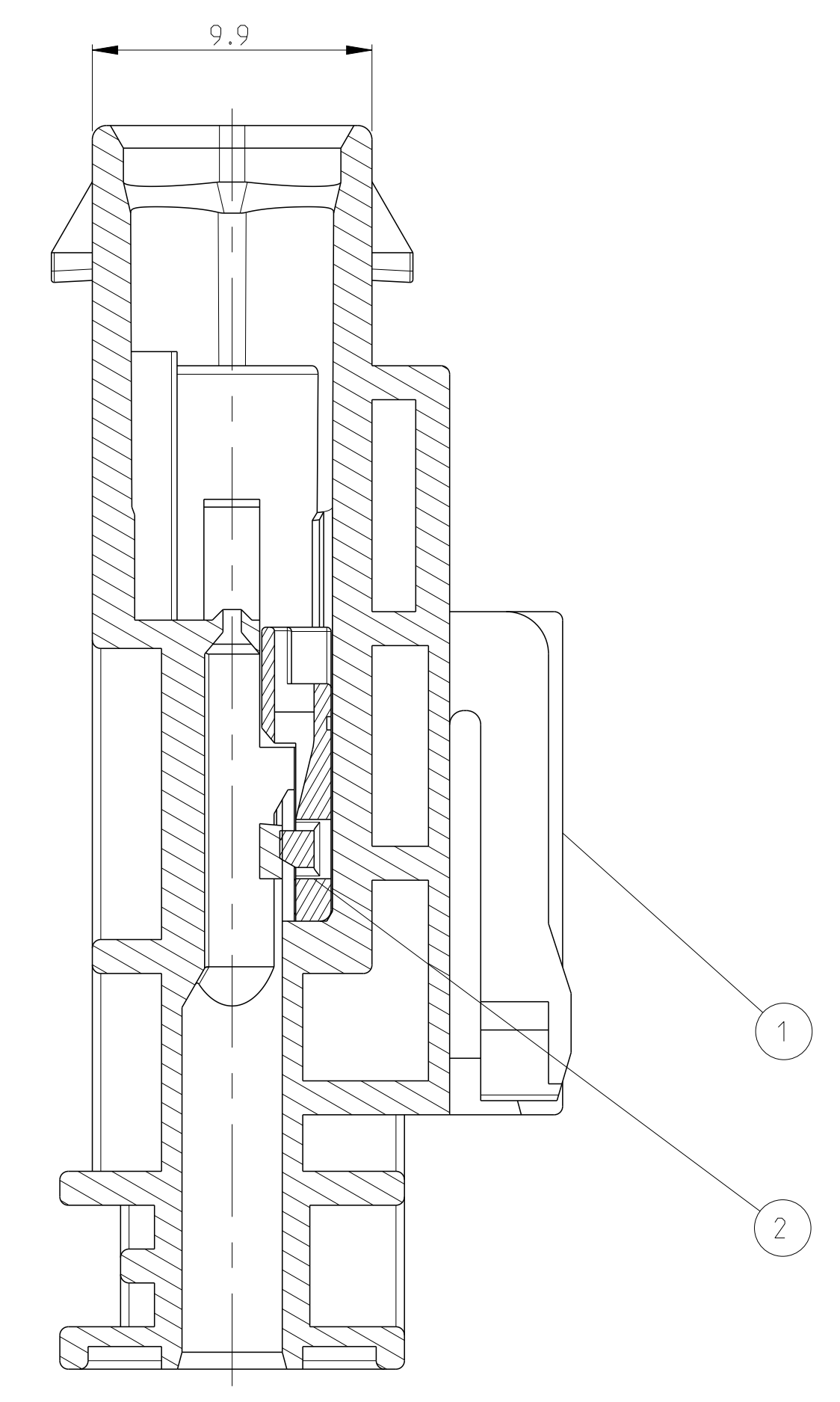
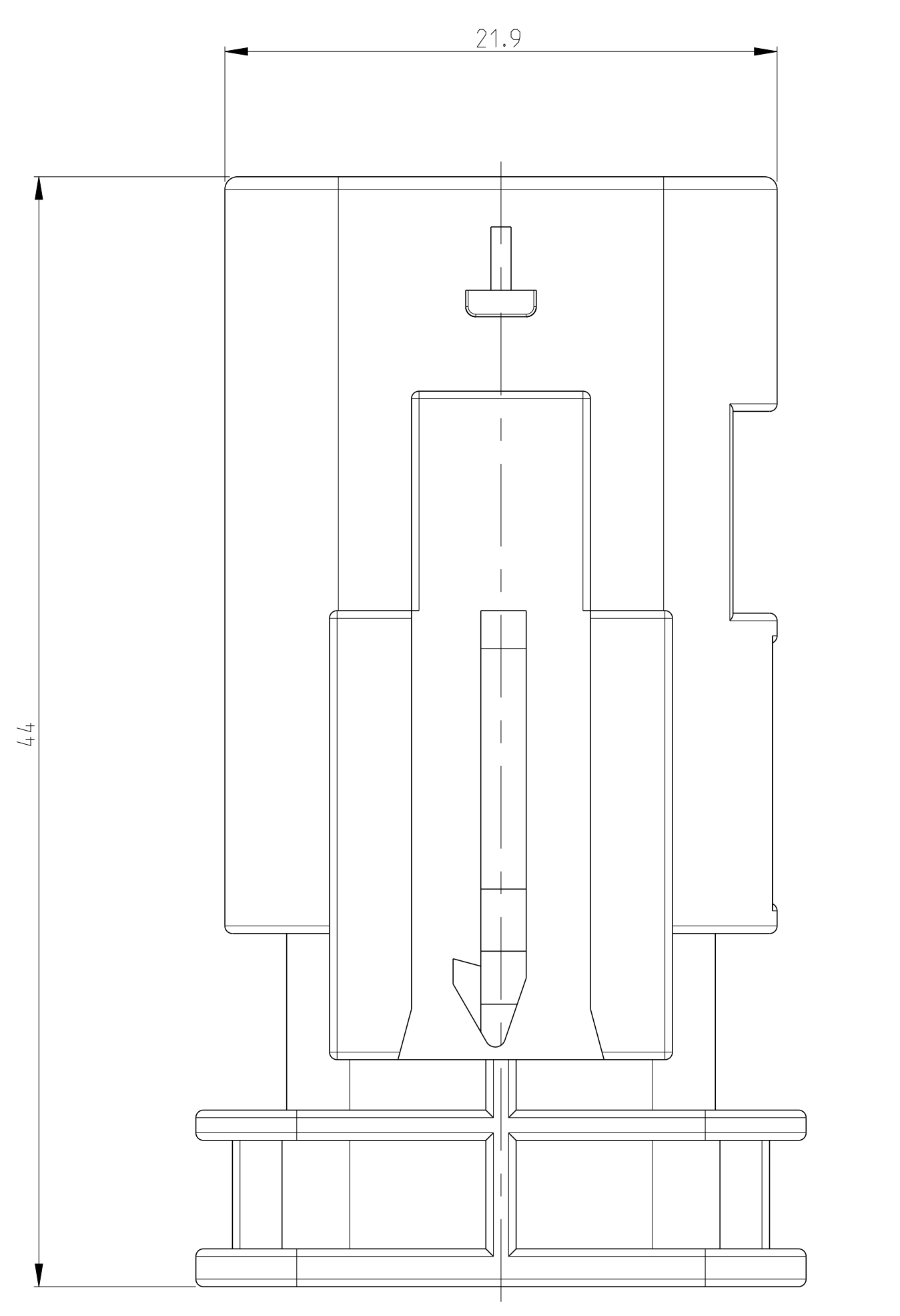
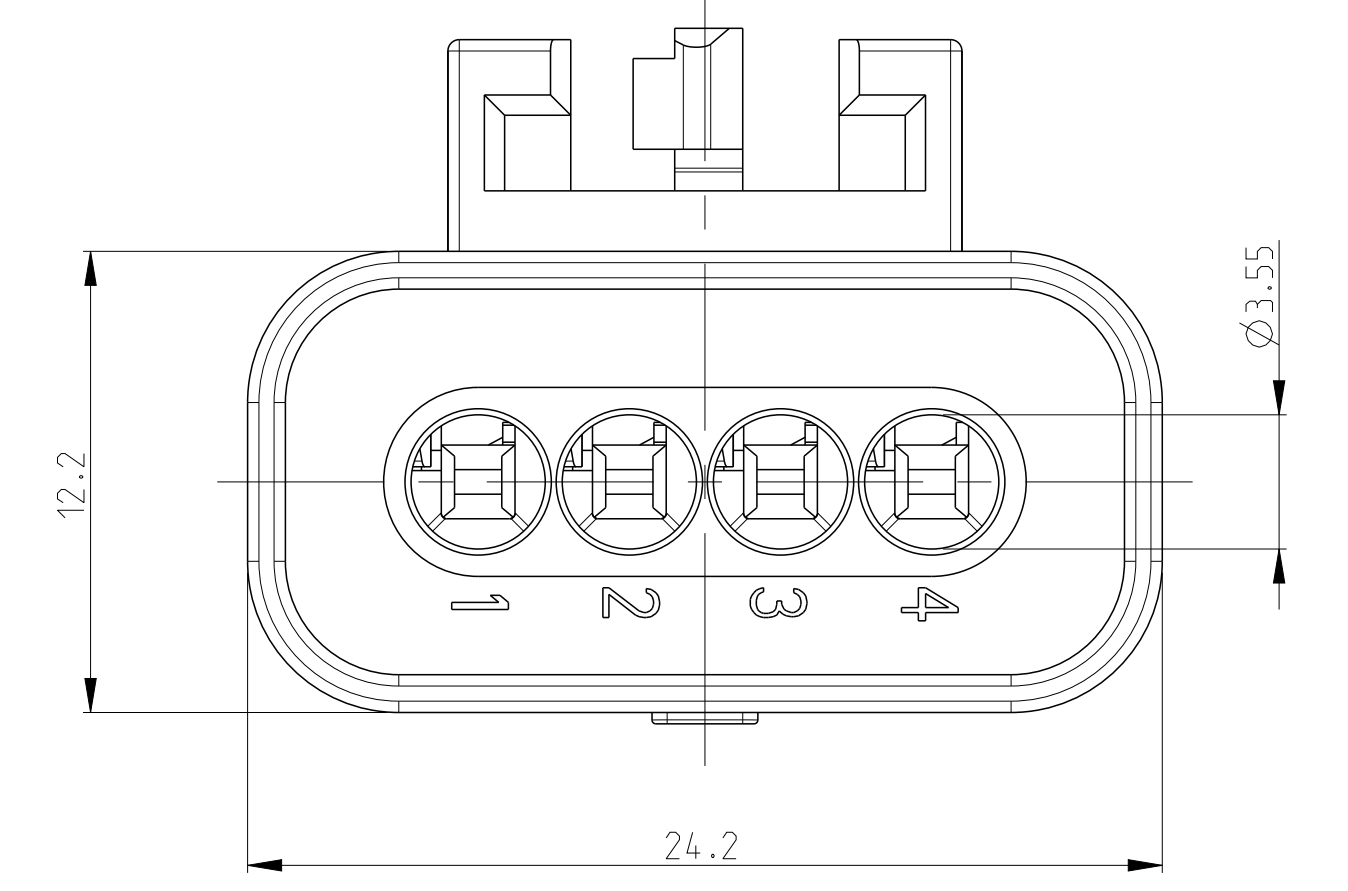


**Z** 5-1564559-1

# SHOWN 1-1564559-2

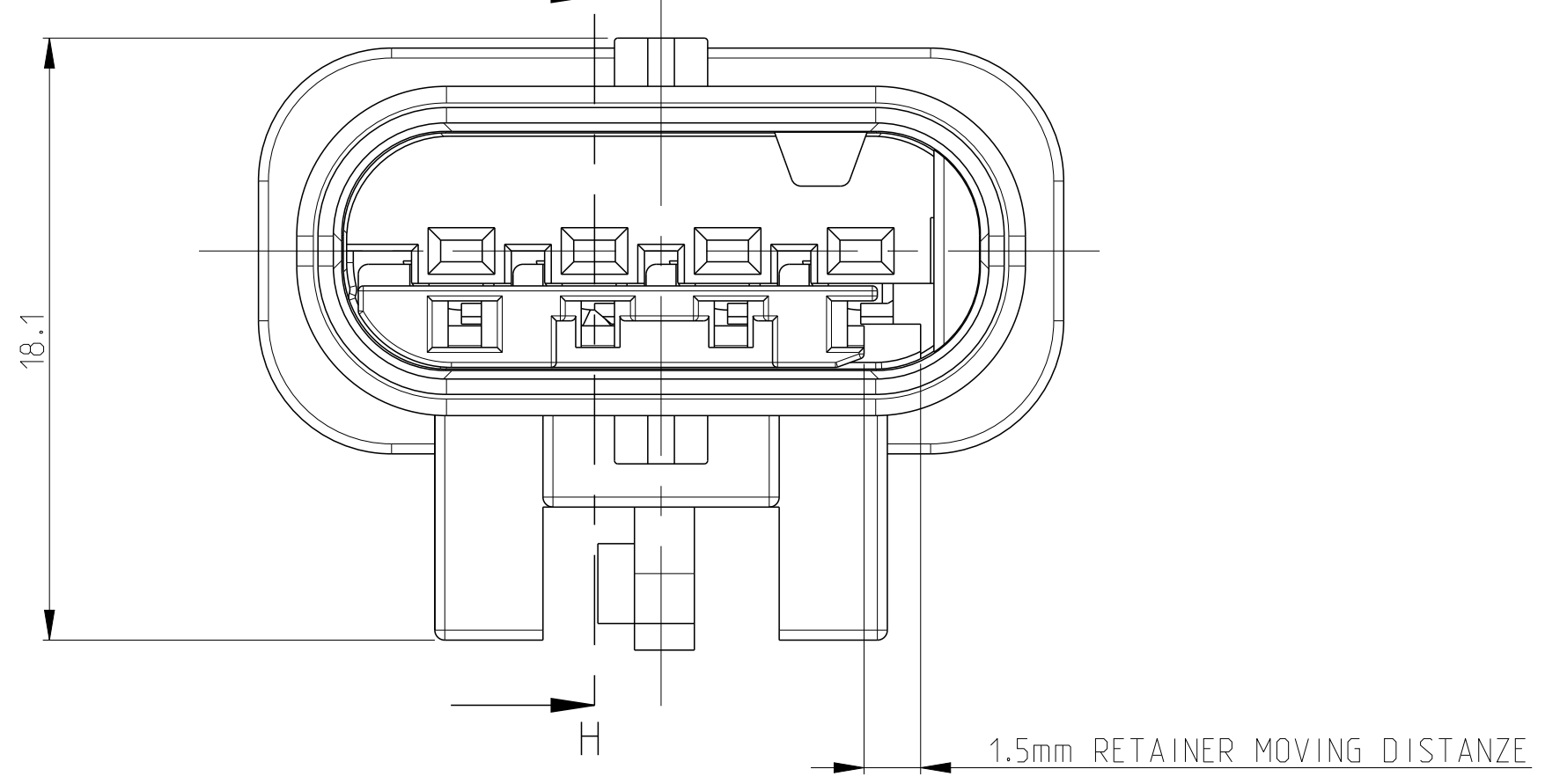


2:1

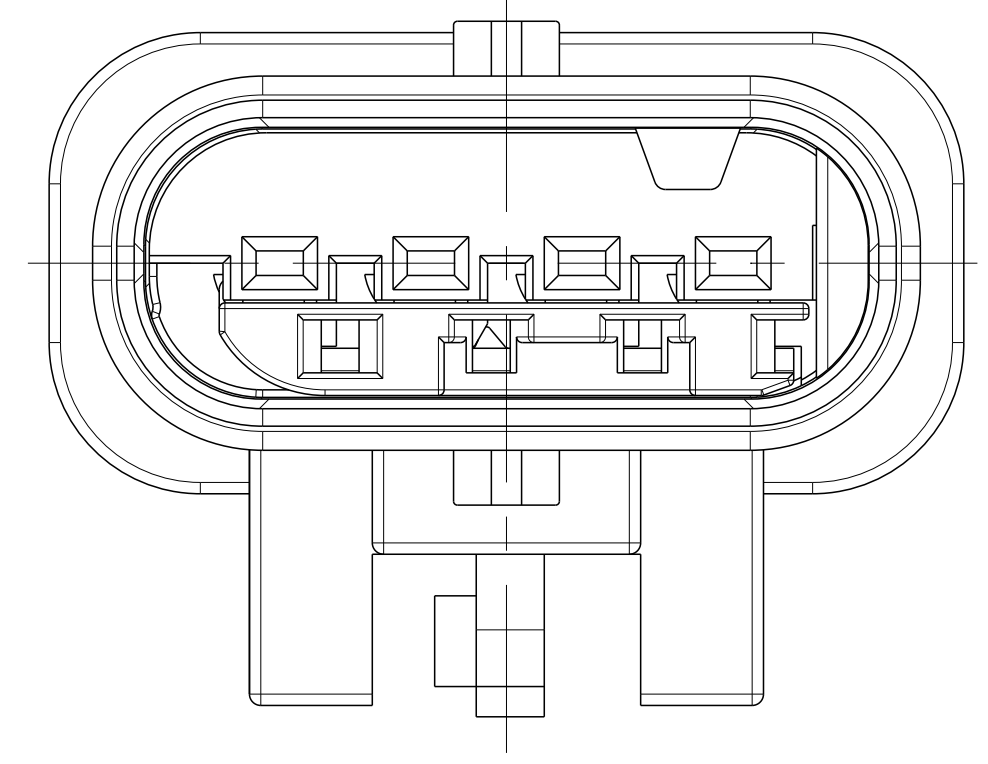


H-H

RETAINER IN PRE LOCKED POSITION  
Kontaktsicherung in Vorraststellung



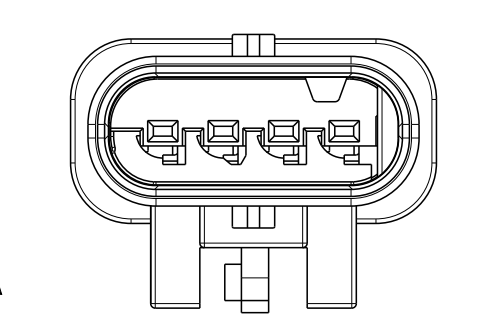
RETAINER IN FINAL LOCKED POSITION  
2. Kontaktsicherung in Endraststellung



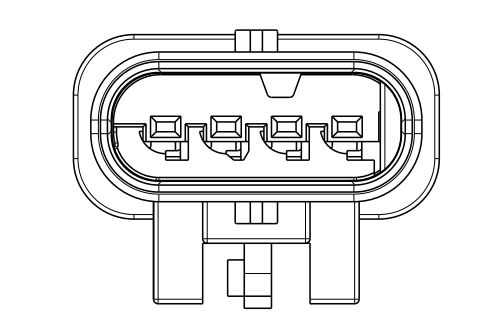
RETAINER MOVING DIRECTION  
2. Kontaktsicherung Verschiebeweg

LOC	REV	DESCRIPTION	DATE	BY	APPD
A1	A4	PCN E-11-008327	16APR2011	MT	HR
	A5	PCN E-14-014884	06OCT2014	MT	HR

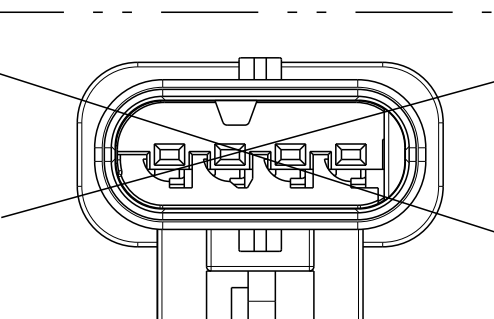
## CODINGS 2:1



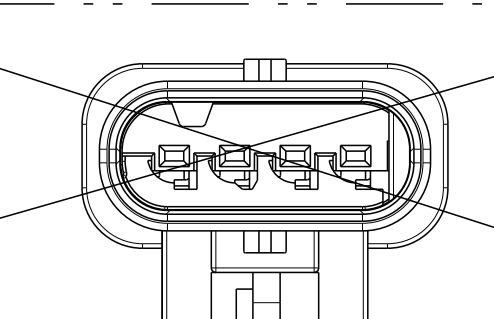
**A** 1-1564559-2  
(BLACK)



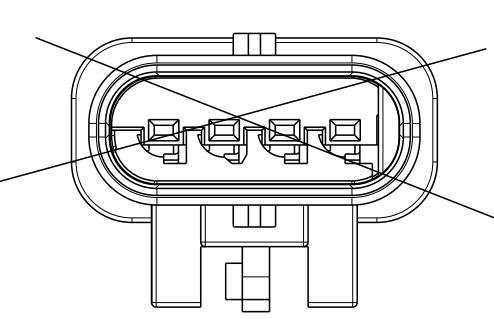
**B** 2-1564559-2  
(GREY)



**C** 3-1564559-2



**D** 4-1564559-2



**Z** 5-1564559-2

TE-PN TERMINALS	WIRE RANGE	TE-PN SINGLE WIRE SEAL	TE-PN BLIND PLUG
2141868	0.08 - 0.22mm <sup>2</sup>	967067-2	967056-1
1718758	0.25 - 0.35mm <sup>2</sup>	967067-2	
1718760	0.5 - 0.75mm <sup>2</sup>	967067-1	
1718762	1mm <sup>2</sup>	967067-1	

TERMINAL TE-APPLICATION SPEC.: 114-18464.

TE SUITABLE FEMALE HSG. PASSENDE BUCHSENGEH.	TE- Bestell-Nr. ORDER-NO.	ASSY REV. CODE	Benennung TITLE	QTY	Benennung Einzelteil TITLE	Werkstoff MATERIAL	Oberflaeche/Farbe SURFACE/COLOUR	Pos. ITEM
	5-1564559-2	A	Z	1	Kontaktsicherung RETAINER	PA66-GF35	violett/VIOLET	2
	4-1564559-2	A	D	1	Stiftgehäuse 4pol. MALE HOUSING 4POS.	PBT-GF30	schwarz/BLACK	1a
	3-1564559-2	A	C	1	Kontaktsicherung RETAINER	PA66-GF35	violett/VIOLET	2
	2-1670918-2	2-1564559-2	A	1	Stiftgehäuse 4pol. MALE HOUSING 4POS.	PBT-GF30	schwarz/BLACK	1c
	1-1670918-2	1-1564559-2	A	1	Kontaktsicherung RETAINER	PA66-GF35	violett/VIOLET	2
	1-1670918-2	1-1564559-2	A	1	Stiftgehäuse 4pol. MALE HOUSING 4POS.	PBT-GF30	schwarz/BLACK	1a

3-1670918-1	3-1564559-4	A	C	1	Kontaktsicherung RETAINER	PA66-GF35	violett/VIOLET	2
2-1670918-1	2-1564559-4	A	B	1	Stiftgehäuse 4pol. MALE HOUSING 4POS.	PA66-GF35	violett/VIOLET	2
1-1670918-1	1-1564559-4	A	A	1	Kontaktsicherung RETAINER	PA66-GF35	gelb/YELLOW	1a
	5-1564559-1	A	Z	1	Stiftgehäuse 4pol. MALE HOUSING 4POS.	PBT-GF30	gelb/YELLOW	1a
	4-1564559-1	A	D	1	Kontaktsicherung RETAINER	PA66-GF35	schwarz/BLACK	1c
	3-1564559-1	A	C	1	Stiftgehäuse 4pol. MALE HOUSING 4POS.	PA66-GF35	violett/VIOLET	2
	2-1670918-1	2-1564559-1	A	1	Kontaktsicherung RETAINER	PBT-GF30	schwarz/BLACK	1c
	1-1670918-1	1-1564559-1	A	1	Stiftgehäuse 4pol. MALE HOUSING 4POS.	PA66-GF35	violett/VIOLET	2
	1-1670918-1	1-1564559-1	A	1	Kontaktsicherung RETAINER	PBT-GF30	grau/GREY	1b
	1-1670918-1	1-1564559-1	A	1	Stiftgehäuse 4pol. MALE HOUSING 4POS.	PA66-GF35	violett/VIOLET	2

TE SUITABLE FEMALE HSG. PASSENDE BUCHSENGEH.	TE- Bestell-Nr. ORDER-NO.	ASSY REV. CODE	Benennung TITLE	QTY	Benennung Einzelteil TITLE	Werkstoff MATERIAL	Oberflaeche/Farbe SURFACE/COLOUR	Pos. ITEM
	3-1670918-1	3-1564559-4	A	1	Kontaktsicherung RETAINER	PA66-GF35	violett/VIOLET	2
	2-1670918-1	2-1564559-4	A	1	Stiftgehäuse 4pol. MALE HOUSING 4POS.	PA66-GF35	violett/VIOLET	2
	1-1670918-1	1-1564559-4	A	1	Kontaktsicherung RETAINER	PA66-GF35	gelb/YELLOW	1a
	5-1564559-1	A	Z	1	Stiftgehäuse 4pol. MALE HOUSING 4POS.	PBT-GF30	schwarz/BLACK	1c
	4-1564559-1	A	D	1	Kontaktsicherung RETAINER	PA66-GF35	violett/VIOLET	2
	3-1564559-1	A	C	1	Stiftgehäuse 4pol. MALE HOUSING 4POS.	PA66-GF35	violett/VIOLET	2
	2-1670918-1	2-1564559-1	A	1	Kontaktsicherung RETAINER	PA66-GF35	violett/VIOLET	2
	1-1670918-1	1-1564559-1	A	1	Stiftgehäuse 4pol. MALE HOUSING 4POS.	PBT-GF30	grau/GREY	1b
	1-1670918-1	1-1564559-1	A	1	Kontaktsicherung RETAINER	PA66-GF35	violett/VIOLET	2

REGRIND MAX. 25%

THIS DRAWING IS A CONTROLLED DOCUMENT. DATE: 07JUL2008. BY: LOESES. CH. RIBBER. 07JUL2008. G. MUMMER. 08JUL2008. DIMENSIONS: DIM: 0 PFC 00.5, 1 PFC 00.5, 2 PFC 00.5, 3 PFC 00.5, 4 PFC 00.5. PRODUCT SPEC: 108-94.177-1. APPLICATION SPEC: 114-18910-1. ANGLE: 45°. WEIGHT: 6.76g. MATERIAL: FINISH: REGRIND MAX. 25%. CUSTOMER DRAWING. SCALE: 5:1. SHEET: 1 OF 1. REV: A5.

**STE** TE Connectivity  
 MALE HOUSING, 4Pos., MCON 1.2 SEALED TOP / SIDE LATCH  
 Stiftgehäuse, 4pol., MCON 1.2 gedichtet  
 A0 00779 C=1564559

## X-ON Electronics

Largest Supplier of Electrical and Electronic Components

*Click to view similar products for [Automotive Connectors](#) category:*

*Click to view products by [TE Connectivity](#) manufacturer:*

Other Similar products are found below :

[003-018-000](#) [60403001](#) [60993906-B](#) [M902-2131](#) [M902-2161](#) [72.330.1035.1](#) [73.353.4028.0](#) [F119300-B](#) [F166900](#) [F258300-B](#) [F358300-B](#)  
[F407400](#) [F444110](#) [F487000](#) [F509500B-B](#) [827153-1](#) [8N1515-32-24P](#) [9-1326729-8](#) [925474-1](#) [928905-1](#) [964562-4](#) [968782-1](#) [GT17SA-8DS-](#)  
[HU](#) [98891-1012](#) [98947-1016](#) [12004147](#) [12004475-L](#) [12010290](#) [12010309-B](#) [12015454](#) [12020219-B](#) [12020308](#) [12041318-B](#) [12052225-L](#)  
[12052466](#) [12059125](#) [12064869](#) [12004327-B](#) [12010503-B](#) [12015308](#) [12015384](#) [12015909](#) [1-21030-1](#) [12041254](#) [12041318](#) [12047946-B](#)  
[12047957](#) [12047957-L](#) [12059473](#) [12066261](#)