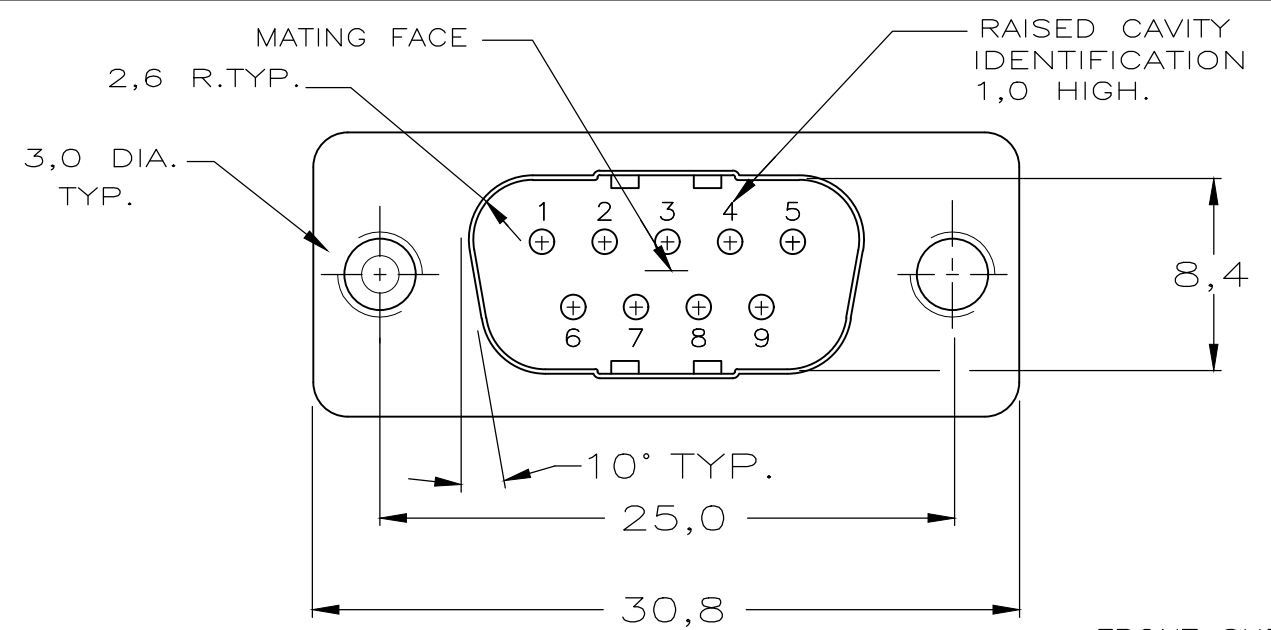


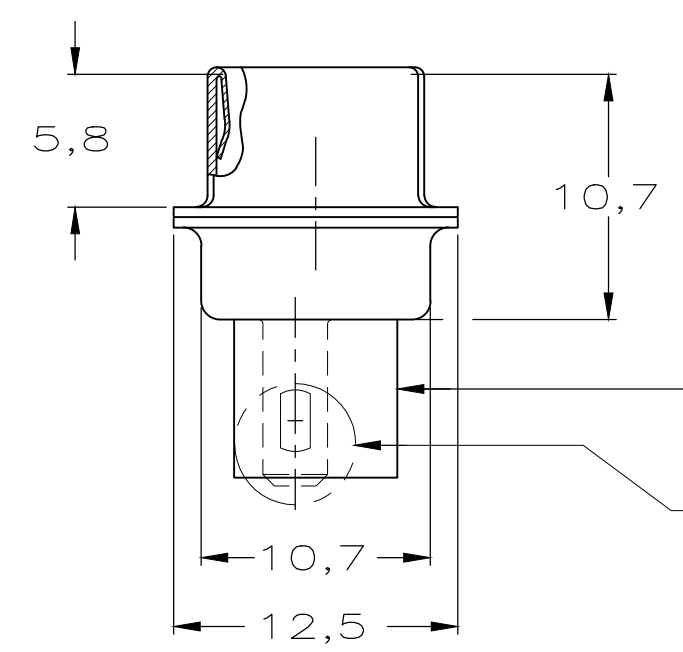
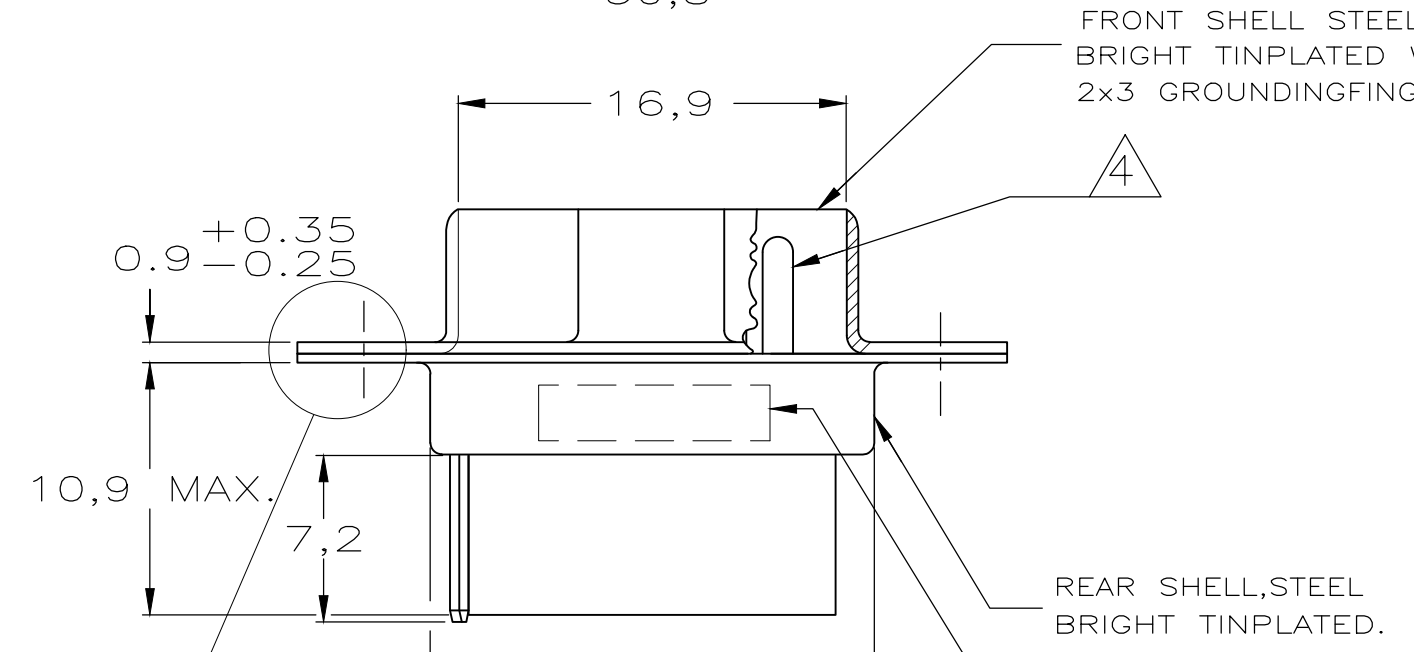
THIS DRAWING IS UNPUBLISHED. RELEASED FOR PUBLICATION  
 © COPYRIGHT - By - ALL RIGHTS RESERVED.

REVISIONS				
P	LTR	DESCRIPTION	DATE	APVD
D		REVISED PER ECO-18-001571	08FEB2018	AP DG

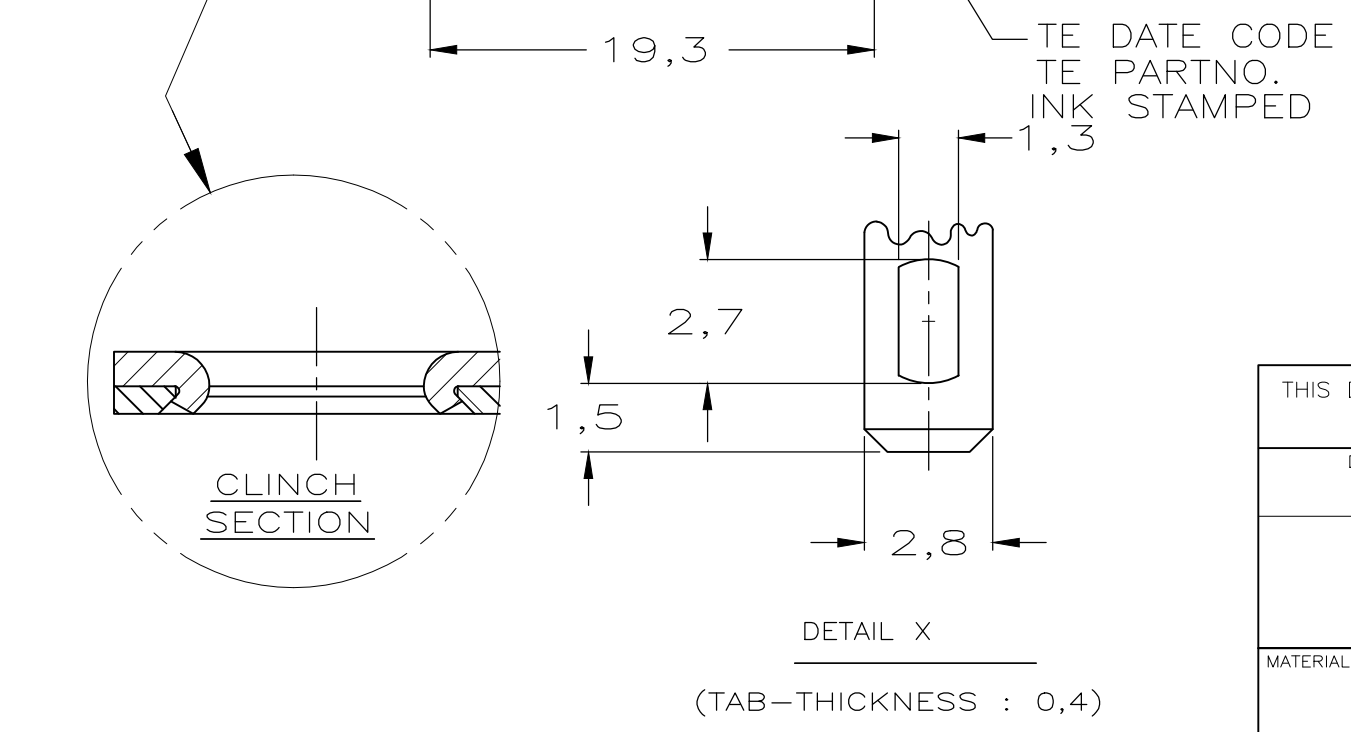


**NOTES:**

- 1 THIS PLUG ACCEPTS SIZE 20 PIN CONTACTS
- 2 MAXIMUM WIRE INSULATION RECOMMENDED FOR USE WITH THIS PLUG IS 1,73 DIA. MAX..
- 3 RETENTION TINES ARE AN INTEGRAL PART OF INSERT.
- 4 CONTACTS SHOWN FOR ILLUSTRATION ONLY, NO PART OF CONNECTOR PACKAGE, MUST BE ORDERED SEPARATELY.
- 5 FOLLOWING INSERTION/REMOVAL TOOLS ARE RECOMMENDED FOR USE WITH THESE CONNECTORS:  
32-28AWG/28-24AWG CONT's      24-20AWG CONTACTS  
 91067-3 INSERTION/REMOVAL      91067-2 INSERTION/REMOVAL  
 726363-1 INSERTION ONLY      726363-1 INSERTION ONLY  
 726364-1 REMOVAL ONLY



INSERTS: NYLON  
 GLASS-FILLED  
 SELF-EXTINGUISHING  
 COLOR: BLACK  
 SEE DETAIL X



THIS DRAWING IS A CONTROLLED DOCUMENT.

DIMENSIONS:	TOLERANCES UNLESS OTHERWISE SPECIFIED:
mm	
0 PLC	± -
1 PLC	± -
2 PLC	± -
3 PLC	± -
4 PLC	± -
ANGLES	± -
MATERIAL	FINISH
-	-

DWN	L.V.D.HEIJDEN.	30-06-87
CHK	C.V.TILBURG.	07-07-87
APVD	L.V.SOEST.	28-07-87
PRODUCT SPEC	-	-
APPLICATION SPEC	-	-
WEIGHT	0.000000	-
CUSTOMER DRAWING		

SEE DRAWING	SEE DRAWING	215711-1
FINISH	MATERIAL	PARTNUMBER
<b>STE</b> TE Connectivity		
NAME HDP-20 PLUG CONNECTOR, SIZE 1, (9 POSITION) WITH SOLDER TAB.		
SIZE	CAGE CODE	DRAWING NO
A3	00779	C-215711
RESTRICTED TO	SCALE	SHEET
-	-	1 OF 1
REV	D	

## X-ON Electronics

Largest Supplier of Electrical and Electronic Components

*Click to view similar products for [D-Sub Standard Connectors](#) category:*

*Click to view products by [TE Connectivity](#) manufacturer:*

Other Similar products are found below :

[56F711-015](#) [012-9507-004](#) [LV242999-142T12](#) [015-0341-000](#) [015-0372-005](#) [015-0372-008](#) [015-8755-001](#) [020419-0104](#) [012-0467-000](#) [012-0515-000](#) [012-9507-034](#) [012-9507-114](#) [020745-0008](#) [609-25P](#) [M24308/2-23Z](#) [CT2-14S-2PCA34](#) [CT2-18-11PCAU](#) [CT6-10SL-3SC](#) [CT6-10SL-4SC](#) [CT6-14S-2SC](#) [CT6E14SA7SC](#) [M83513/01-FC](#) [M83723/76W24619 L/C](#) [M85049/48-3-2F](#) [6STD09PCM99B70X](#) [6STD09SCM99B30X](#) [6STD09SCT99S40X](#) [6STD15PCT99S40X](#) [6STD15SCM99B30X](#) [6STD15SCT99S40X](#) [6STF09PCM05B70X](#) [7-135760-9](#) [MC11E-10-6SN](#) [747552-3](#) [MD1-21PS](#) [MDM-15SCBRM7-F222](#) [MDM96517-699](#) [MDM96521-744](#) [MDVB1-21SL1](#) [MIK0-1-7SH003](#) [MIKQ6-7SH076](#) [MIKQ7-7PH077](#) [MIKQ7-7PH11](#) [MIKQ7-7PH32](#) [MJSV-28SL61](#) [MKJ4A1F14-55S](#) [8-135760-3](#) [8STD09PCM99B30X](#) [PG-KV/PV-16-GROM-SEALING](#) [GDA15P](#)