

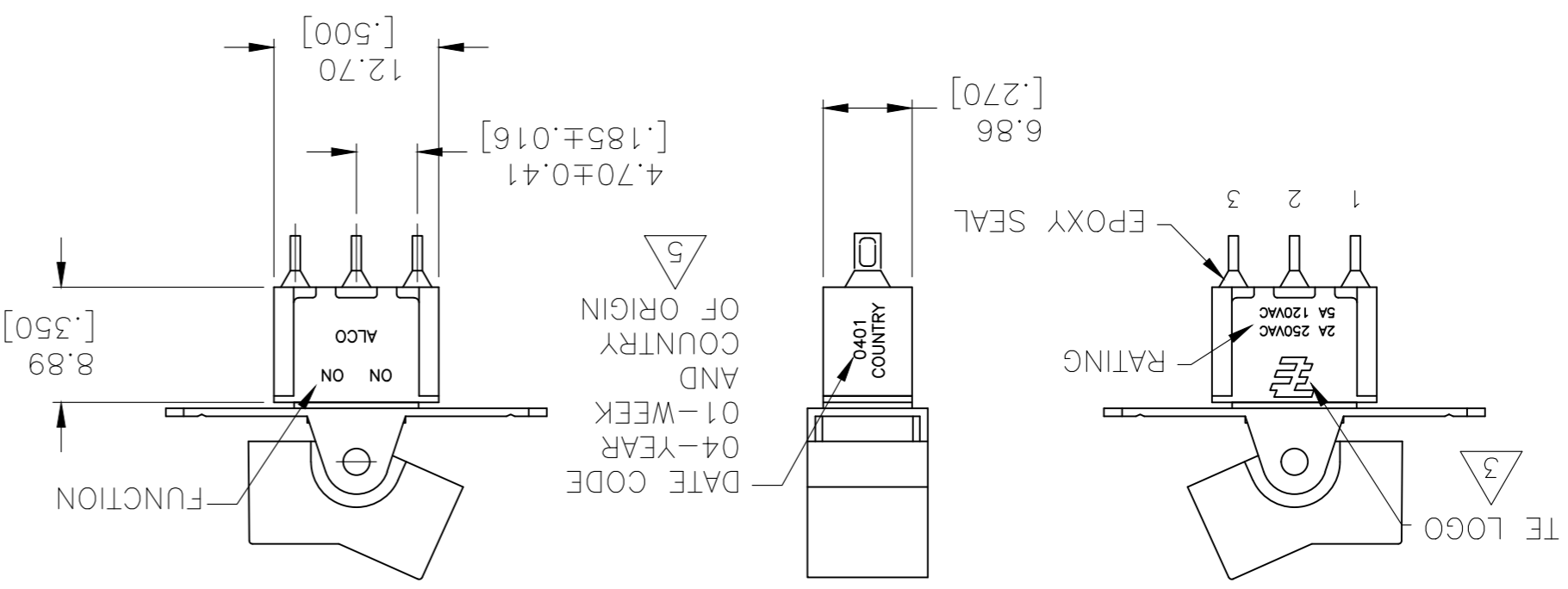
SPECIFICATIONS

RATING, B CONTACTS	.4VA MAX @20V MAX. AC OR DC
RATING, G CONTACTS-SEE NOTE 2	.4VA MAX @20V MAX. AC OR DC OR 5A @120 VAC OR 28 VDC (RESISTIVE) 2A @250 VAC (RESISTIVE)
RATING, Q CONTACTS	2A @250 VAC (RESISTIVE) 5A @120 VAC OR 28 VDC (RESISTIVE)
ELECTRICAL LIFE	6,000 CYCLES AT RATED LOAD
CONTACT RESISTANCE	10 MILLIOHMS MAX INITIAL @ 2-4VDC, 100MA
INSULATION RESISTANCE	1,000 MEGOHMS MIN
DIELECTRIC WITHSTANDING VOLTAGE	1,000 V RMS AT SEA LEVEL
OPERATING TEMPERATURE	-30C TO 85C

FUNCTION CHART

FUNCTION	1 2 3	1 2 3	1 2 3
TERMINALS CONNECTED	ON	ON	2-3
08	ON	NONE	---
07	ON	OFF	1-2
05	(ON)	OFF	
03	ON	OFF	
01	ON	NONE	

(ON): MOMENTARY ACTION
OFF: MECHANICAL POSITION WITH NO ELECTRICAL CONNECTION
NONE: NO MECHANICAL POSITION



THIS DRAWING IS A CONTROLLED DOCUMENT.

DWG	M.BINNER	06JAN05
CHK	M.ZITTO	06JAN05
APVD	M.ZITTO	06JAN05
NAME	GEMINI A SERIES ROCKER SWITCH SINGLE POLE	
PRODUCT SPEC	-	
APPLICATION SPEC	-	
WEIGHT	-	
FINISH	-	
MATERIAL	-	
DIMENSIONS:	mm [INCHES]	
TOLERANCES UNLESS OTHERWISE SPECIFIED:	0 PLC ± 1 PLC ± 2 PLC ± 3 PLC ± 4 PLC ±	
ANGLES	± .4°	

CUSTOMER DRAWING

SCALE 2:1

SHEET 1 of 5

REV A12

MODEL	A1	FUNCTION	ACTUATOR	TERMINAL	CONTACT	ACTUATOR COLOR	BEZEL COLOR	ROHS
01	J1	A	B	0 BLACK (STD)	0 BLACK (STD)			
03	J3	AV2	G	1 BROWN	1 BROWN			
05	J50	C	Q	2 RED	2 RED			
07	J51	V3		3 ORANGE	3 ORANGE			
08	J52	V4		4 YELLOW	4 YELLOW			
	J2	V6		5 GREEN	5 GREEN			
	J4	V7		6 BLUE	6 BLUE			
	J60	W		8 GRAY	8 GRAY			
	J61	W4		9 WHITE	9 WHITE			
	J62	Z						
	Z3							

PART NUMBER SEQUENCE CHART

1 ALL MATERIALS AND FINISHES SHALL COMPLY WITH EU DIRECTIVE 2002/95/EC OF 27JAN2003 (ROHS).

2 G CONTACT OPTION CAN BE USED FOR SIGNAL OR POWER LEVEL SWITCHING. IF SWITCH IS USED AT LEVELS EXCEEDING .4VA @ 20V AC/DC, SWITCH IS RENDERED FOR POWER SWITCHING ONLY DUE TO ARC REMOVAL OF GOLD PLATING. RATING MARKED ON SWITCH IS 2A 250VAC, 5A 120VAC.

3 TE CONNECTIVITY LOGO PER PER TEC-202-36.

5 DATE CODE AND COUNTRY OF ORIGIN MAY APPEAR ON EITHER SIDE OF SWITCH.

6 PANEL MOUNT BRACKET SUPPLIED WITH TERMINALS W, Z AND Z3 ONLY.

7 ACTUATOR MARKED .

8 ACTUATOR MARKED .

9 ACTUATOR MARKED .

10 ALL LOGO, RATING, DATE CODE, AND FUNCTION MARKINGS TO BE LASER MARKED.

11 OBSOLETE

12 GRAY ACTUATOR WITH MODIFIED BRACKET (SUPPORT BRACKET TRIMMED PARALLEL TO THE PCB)

REVISIONS	DATE	DESCRIPTION	DWG	APVD
A12	10MAY2017	REVISED PER ECO-17-001761	RK	AS

A

B

C

D

A

B

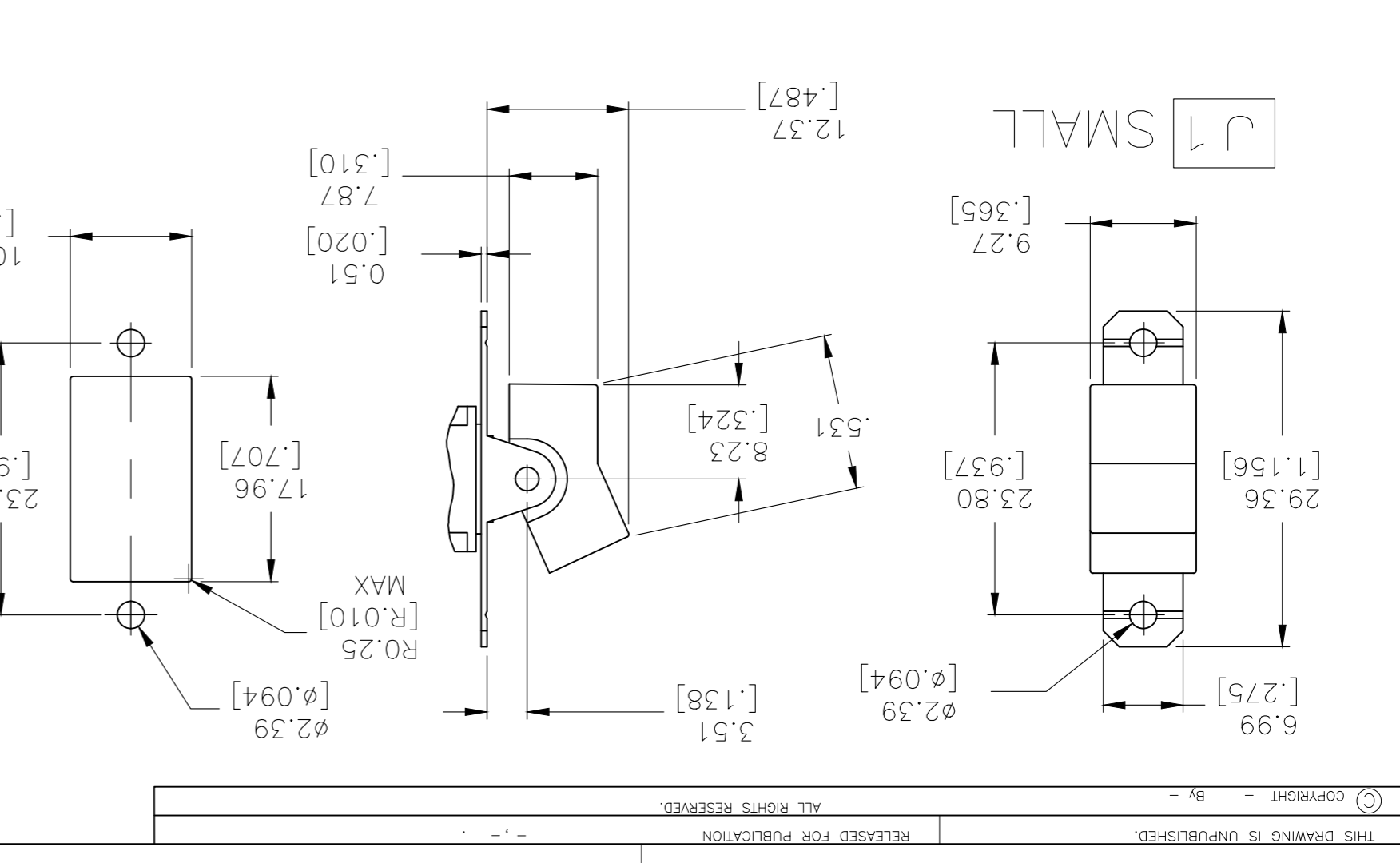
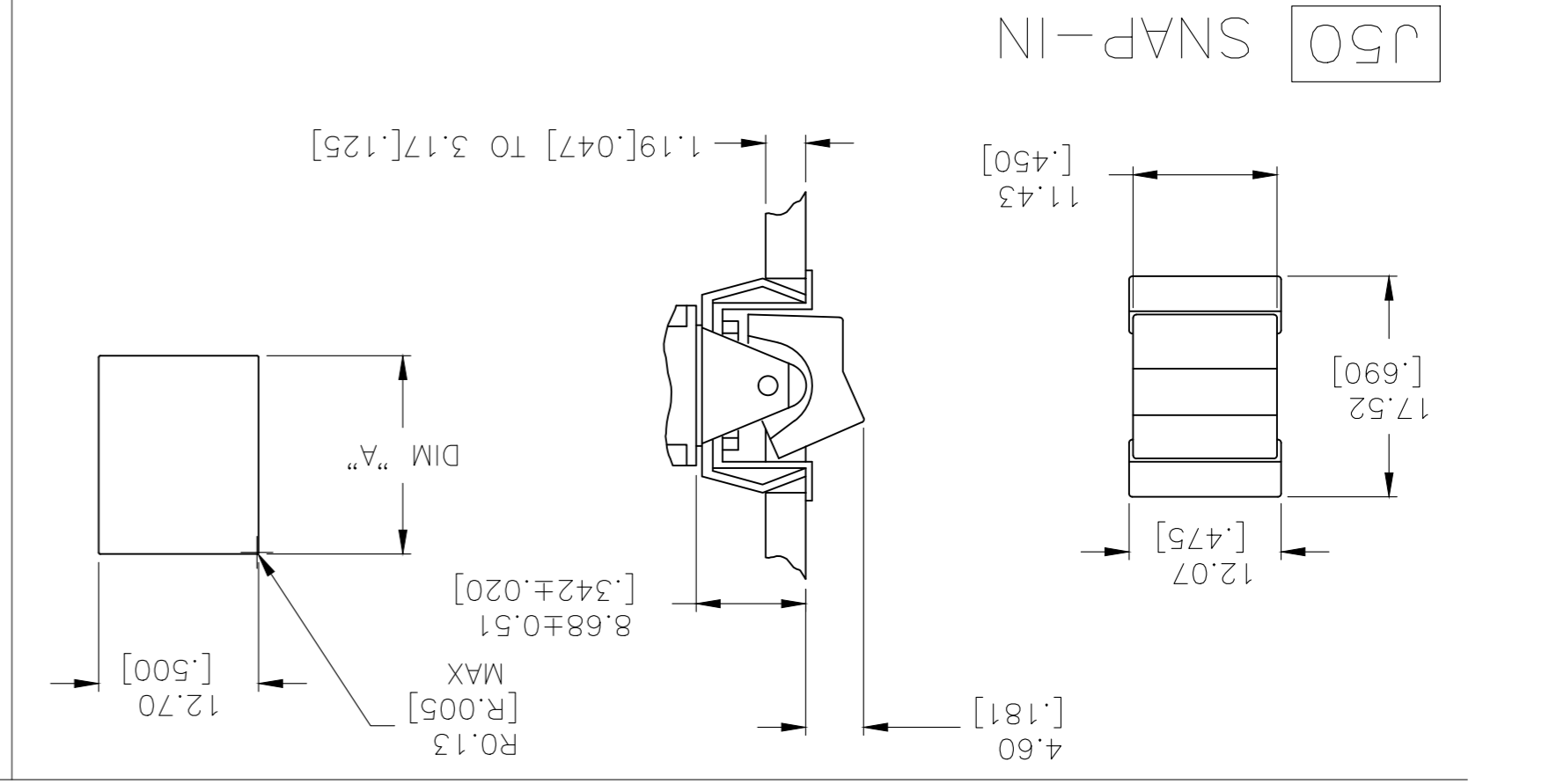
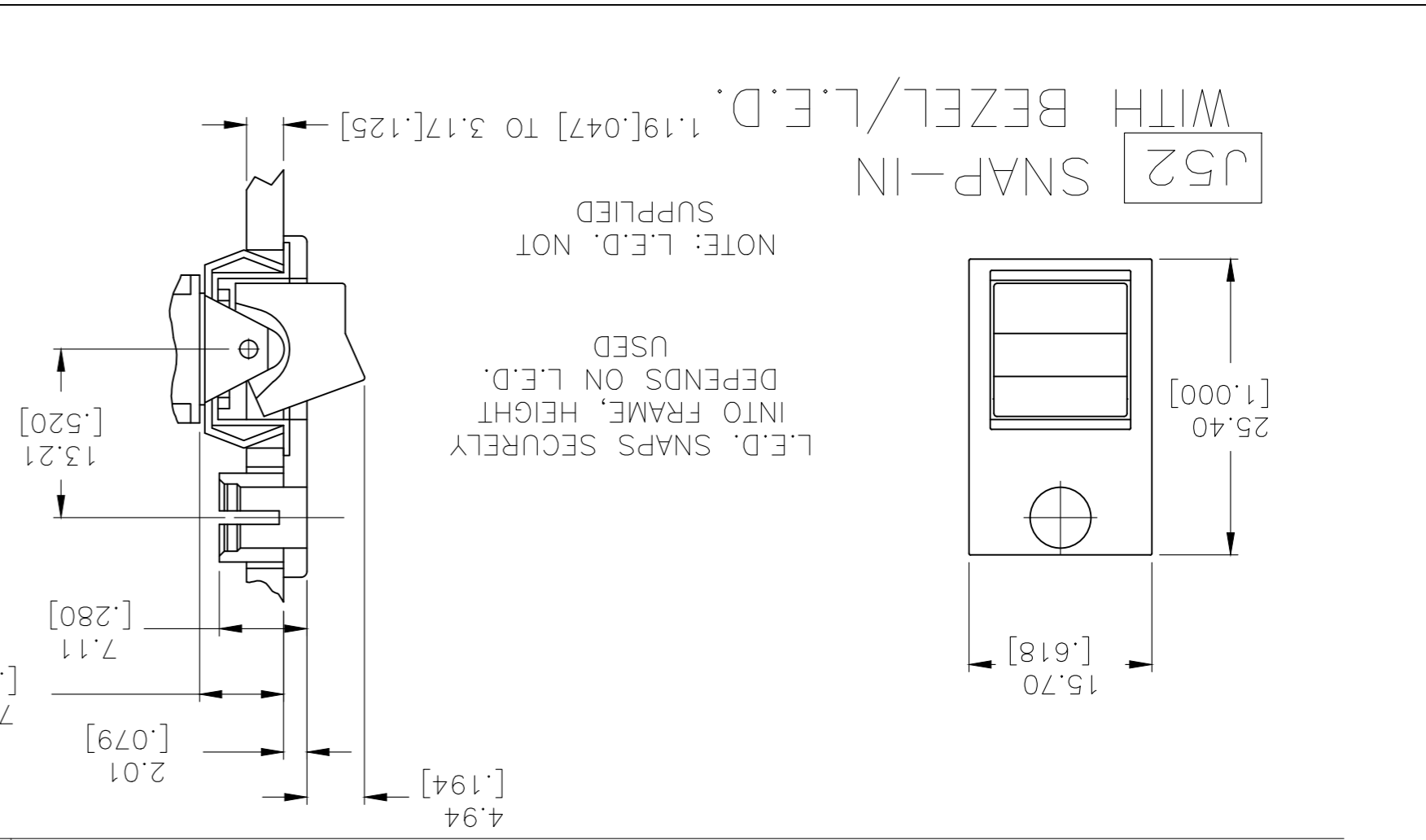
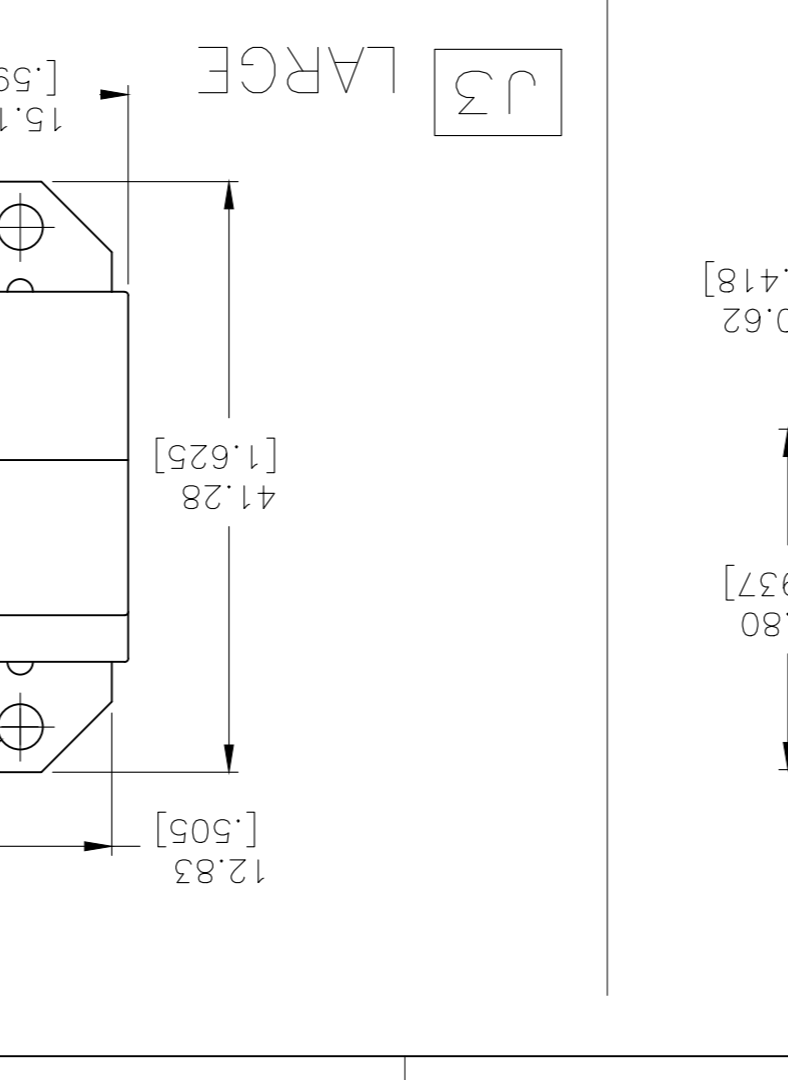
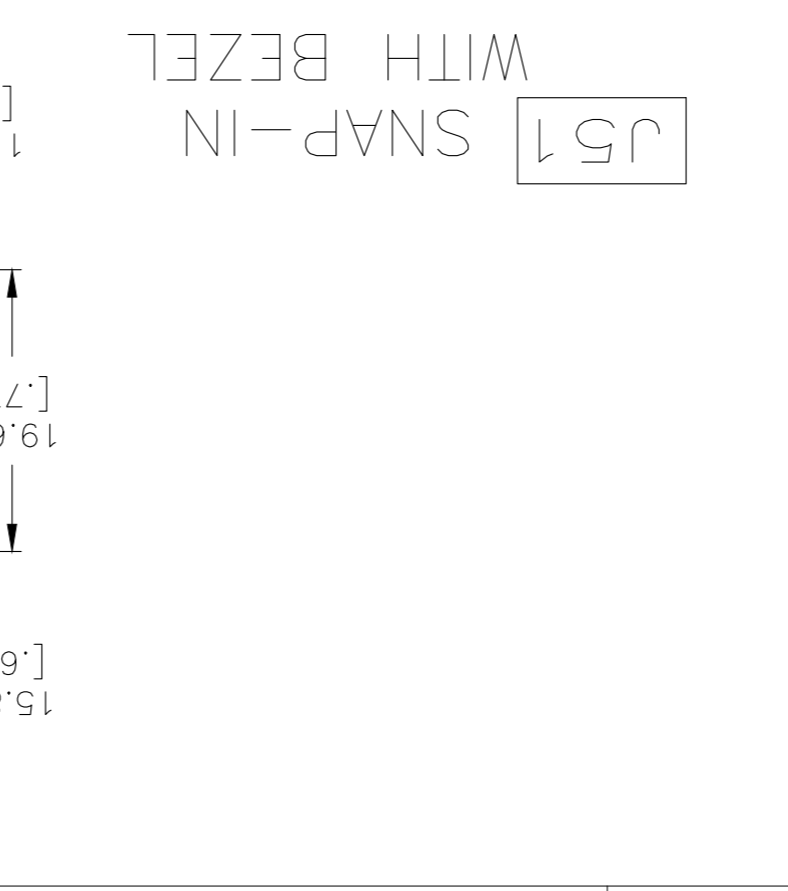
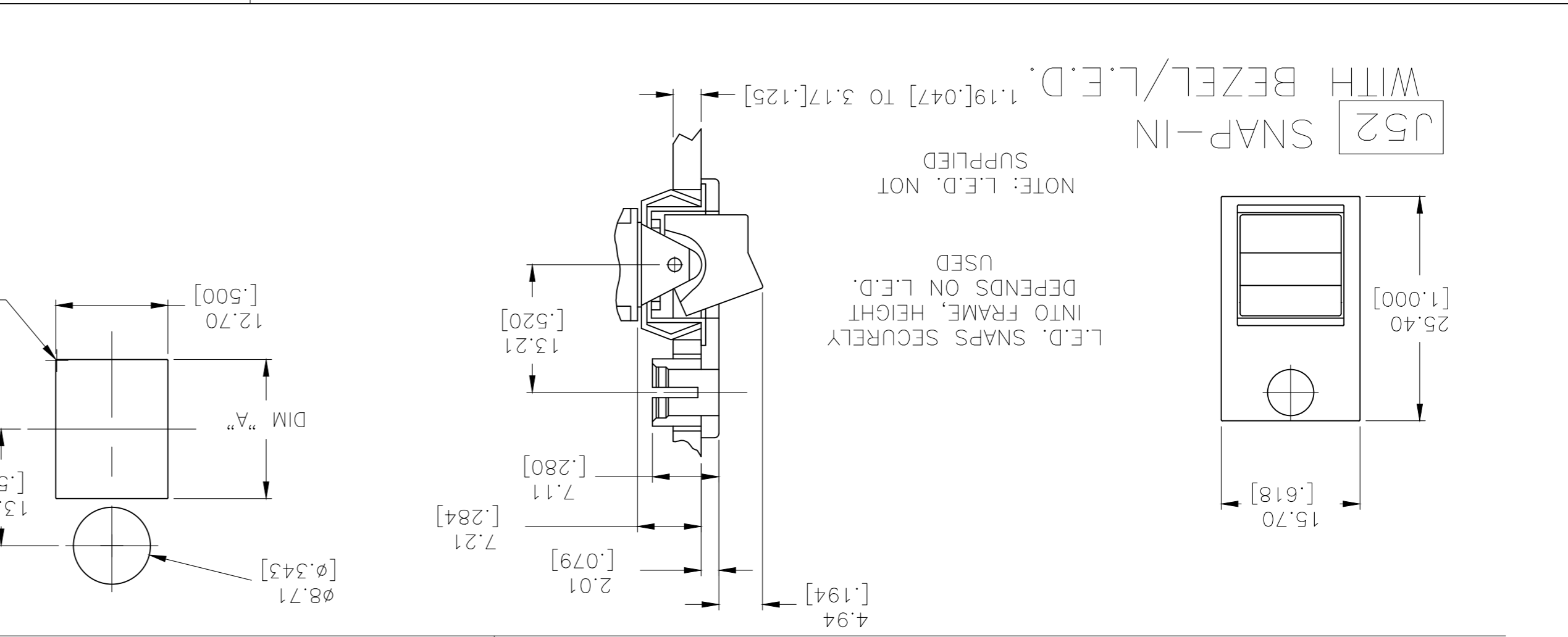
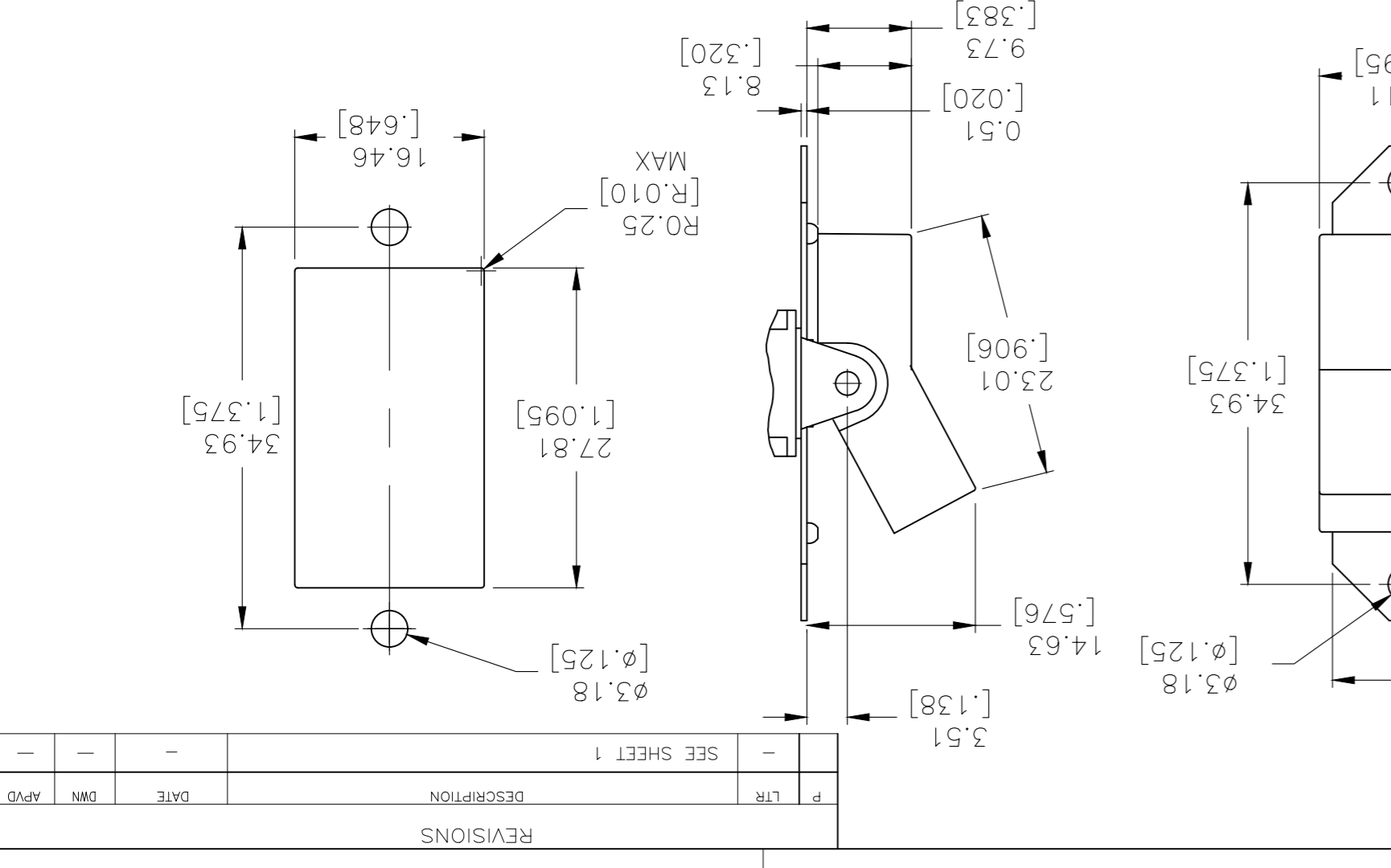
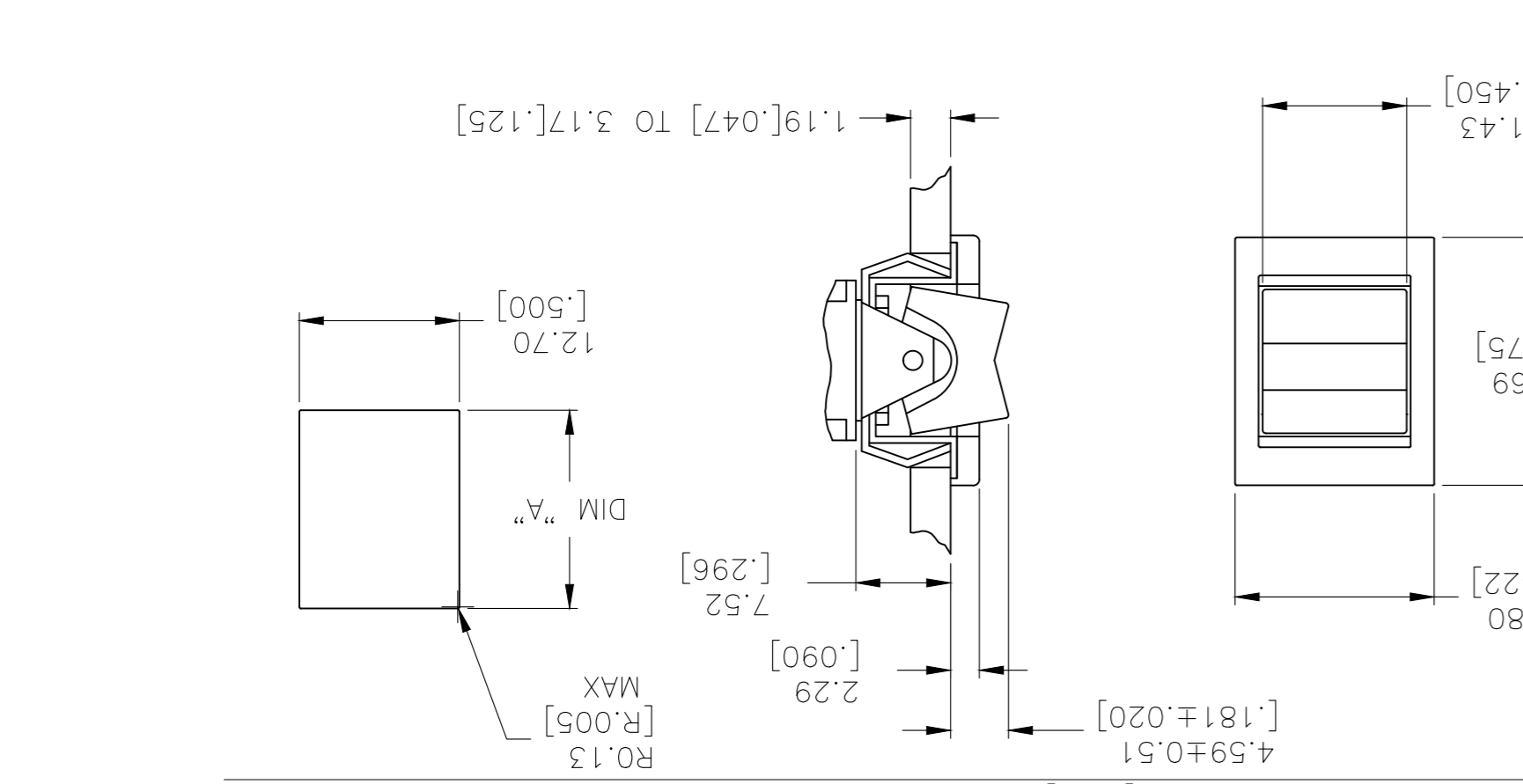
C

D

1571986

MATERIAL: -		FINISH: -		MATERIAL: -	
DIMENSIONS: mm [INCHES]		TOLERANCES UNLESS OTHERWISE SPECIFIED:		TOLERANCES UNLESS OTHERWISE SPECIFIED:	
0 P.L.C. ±		1 P.L.C. ±		0 P.L.C. ±	
1 P.L.C. ±		2 P.L.C. ±		1 P.L.C. ±	
2 P.L.C. ±		3 P.L.C. ±		2 P.L.C. ±	
3 P.L.C. ±		4 P.L.C. ±		3 P.L.C. ±	
4 P.L.C. ±		ANGLES: ± 4°		ANGLES: ± 4°	
WEIGHT: -		APPROVALS:		APPROVALS:	
SIZE: A2		CAGE CODE: 00779		CAGE CODE: 00779	
DRAWING NO: 1571986		DRAWING NO: 1571986		DRAWING NO: 1571986	
RESTRICTED TO: -		RESTRICTED TO: -		RESTRICTED TO: -	
SCALE: 2:1		SCALE: 2:1		SCALE: 2:1	
SHEET: 2 of 5		SHEET: 2 of 5		SHEET: 2 of 5	
REV: A12		REV: A12		REV: A12	

MATERIAL: -		FINISH: -		MATERIAL: -	
DIMENSIONS: mm [INCHES]		TOLERANCES UNLESS OTHERWISE SPECIFIED:		TOLERANCES UNLESS OTHERWISE SPECIFIED:	
0 P.L.C. ±		1 P.L.C. ±		0 P.L.C. ±	
1 P.L.C. ±		2 P.L.C. ±		1 P.L.C. ±	
2 P.L.C. ±		3 P.L.C. ±		2 P.L.C. ±	
3 P.L.C. ±		4 P.L.C. ±		3 P.L.C. ±	
4 P.L.C. ±		ANGLES: ± 4°		ANGLES: ± 4°	
WEIGHT: -		APPROVALS:		APPROVALS:	
SIZE: A2		CAGE CODE: 00779		CAGE CODE: 00779	
DRAWING NO: 1571986		DRAWING NO: 1571986		DRAWING NO: 1571986	
RESTRICTED TO: -		RESTRICTED TO: -		RESTRICTED TO: -	
SCALE: 2:1		SCALE: 2:1		SCALE: 2:1	
SHEET: 2 of 5		SHEET: 2 of 5		SHEET: 2 of 5	
REV: A12		REV: A12		REV: A12	



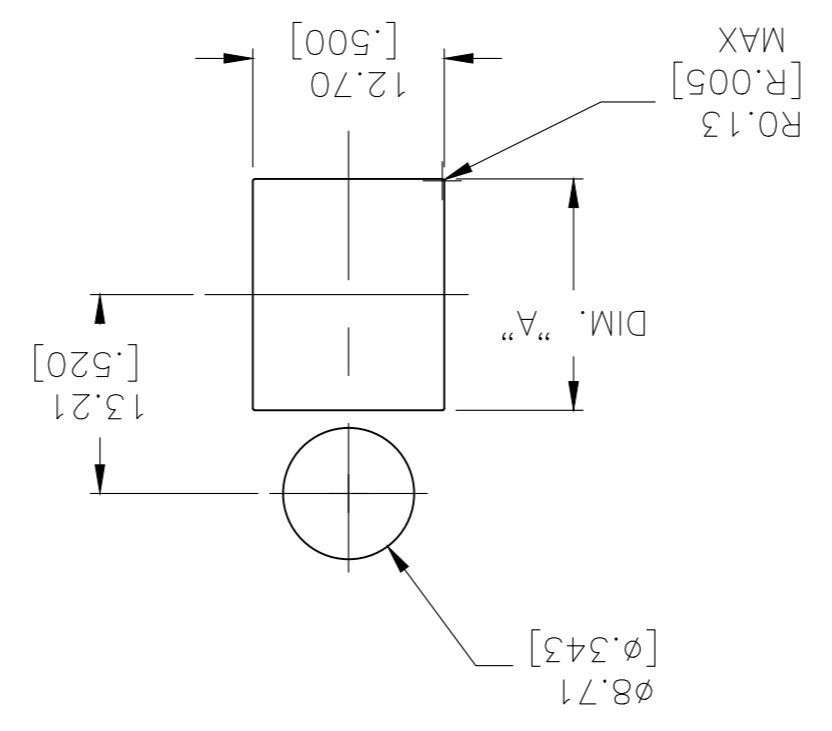
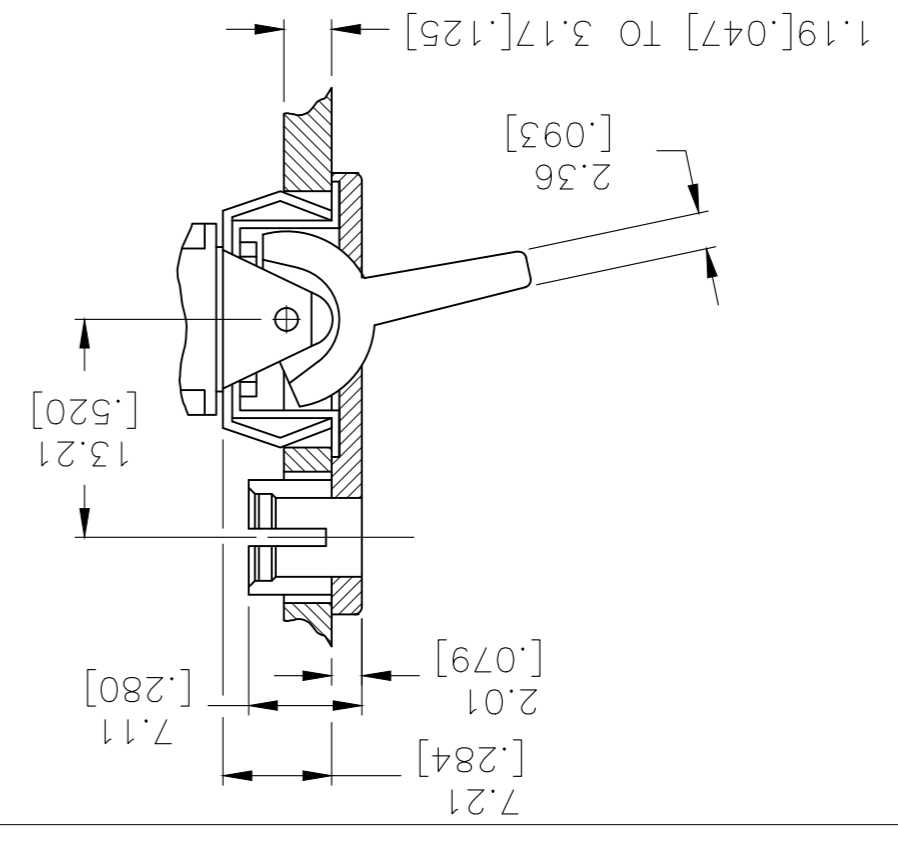
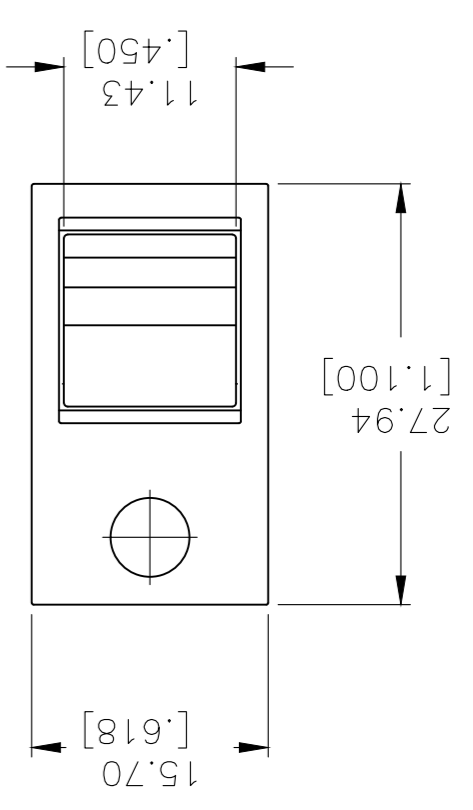
REVISIONS	DATE	DMN	APVD
1	-	-	-
2	-	-	-
3	-	-	-
4	-	-	-

1571986

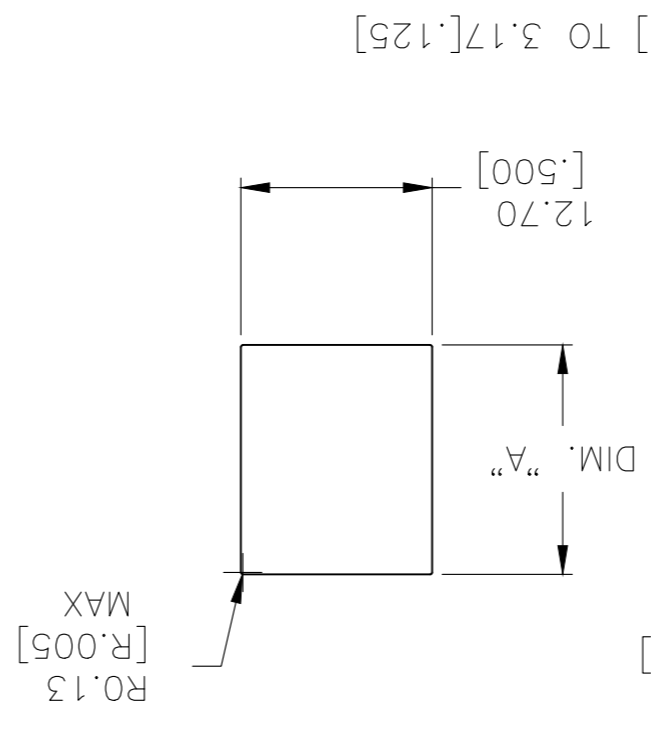
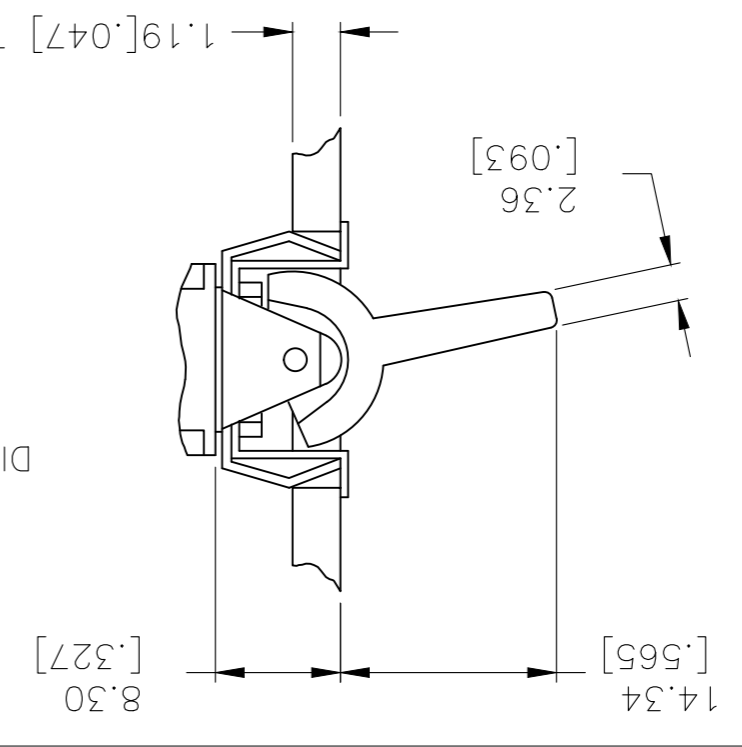
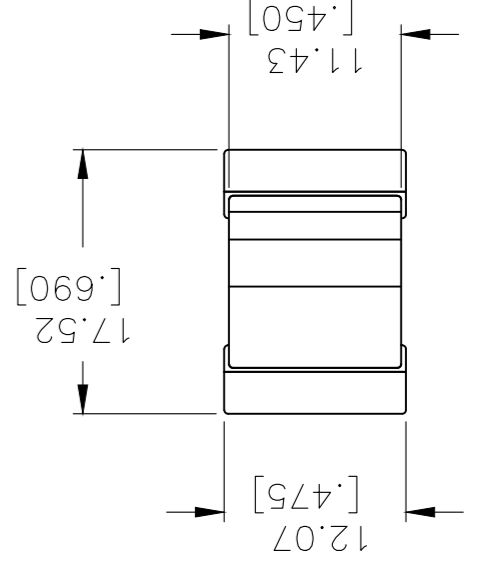
SEE SHEET 1

J62 SNAP-IN WITH BEZEL/L.E.D.

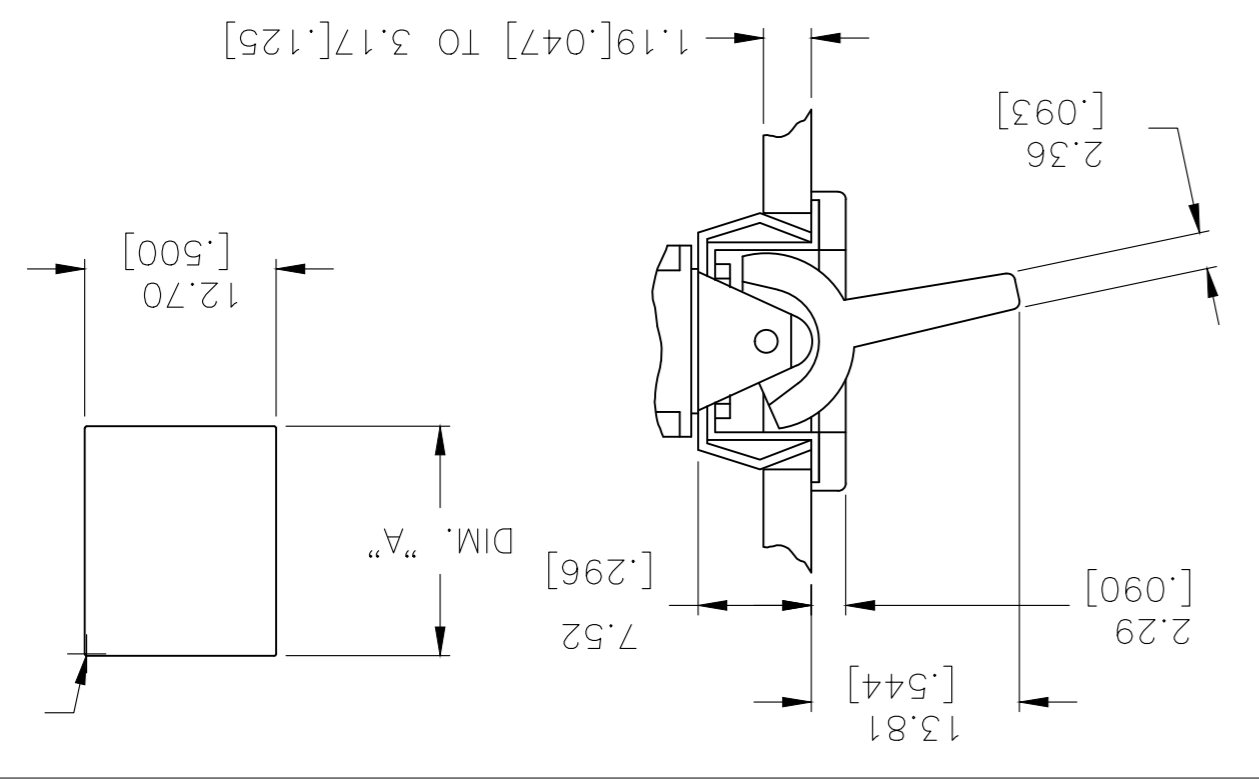
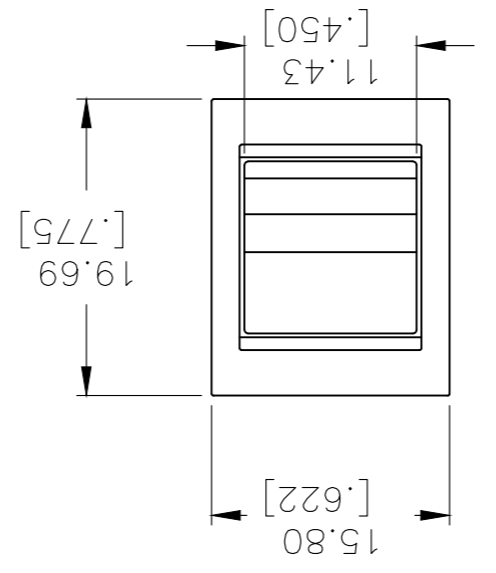
NOTE: L.E.D. NOT SUPPLIED



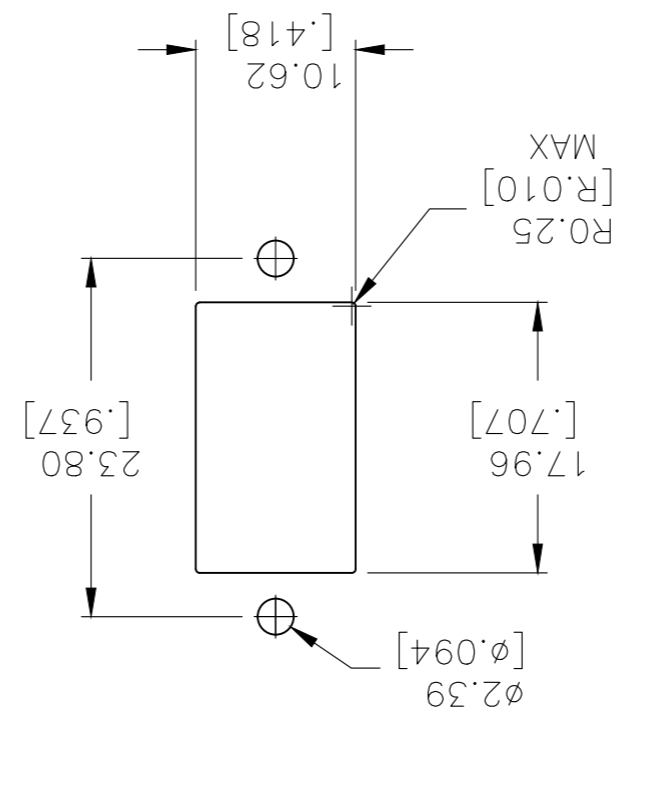
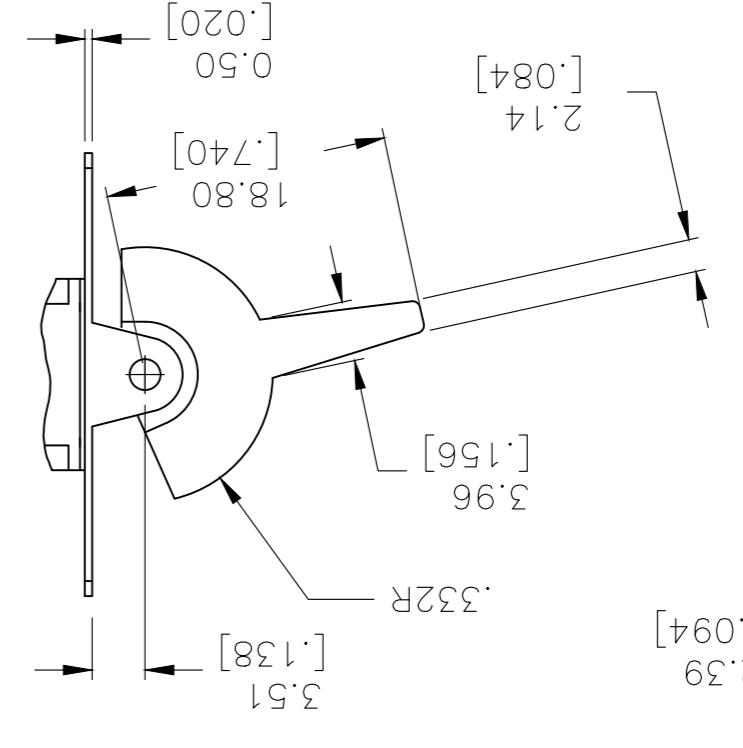
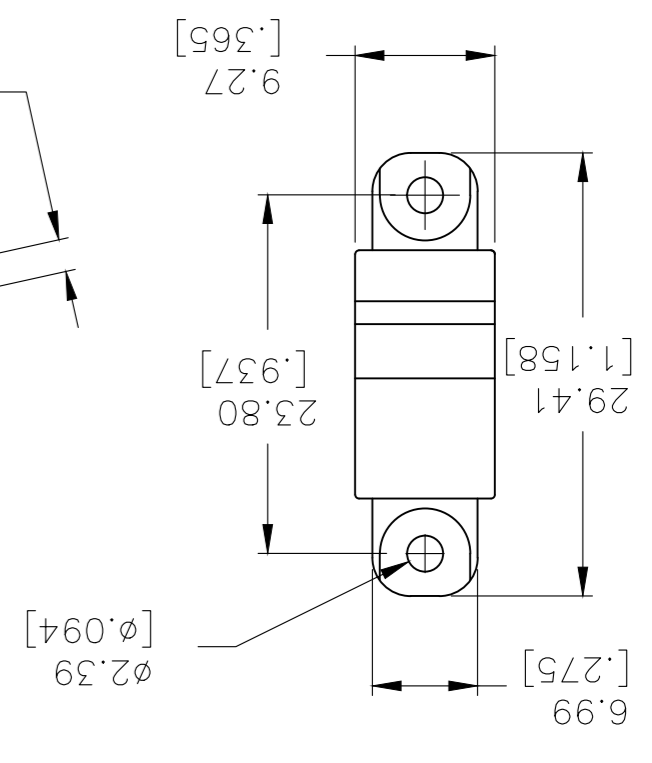
J60 SNAP-IN



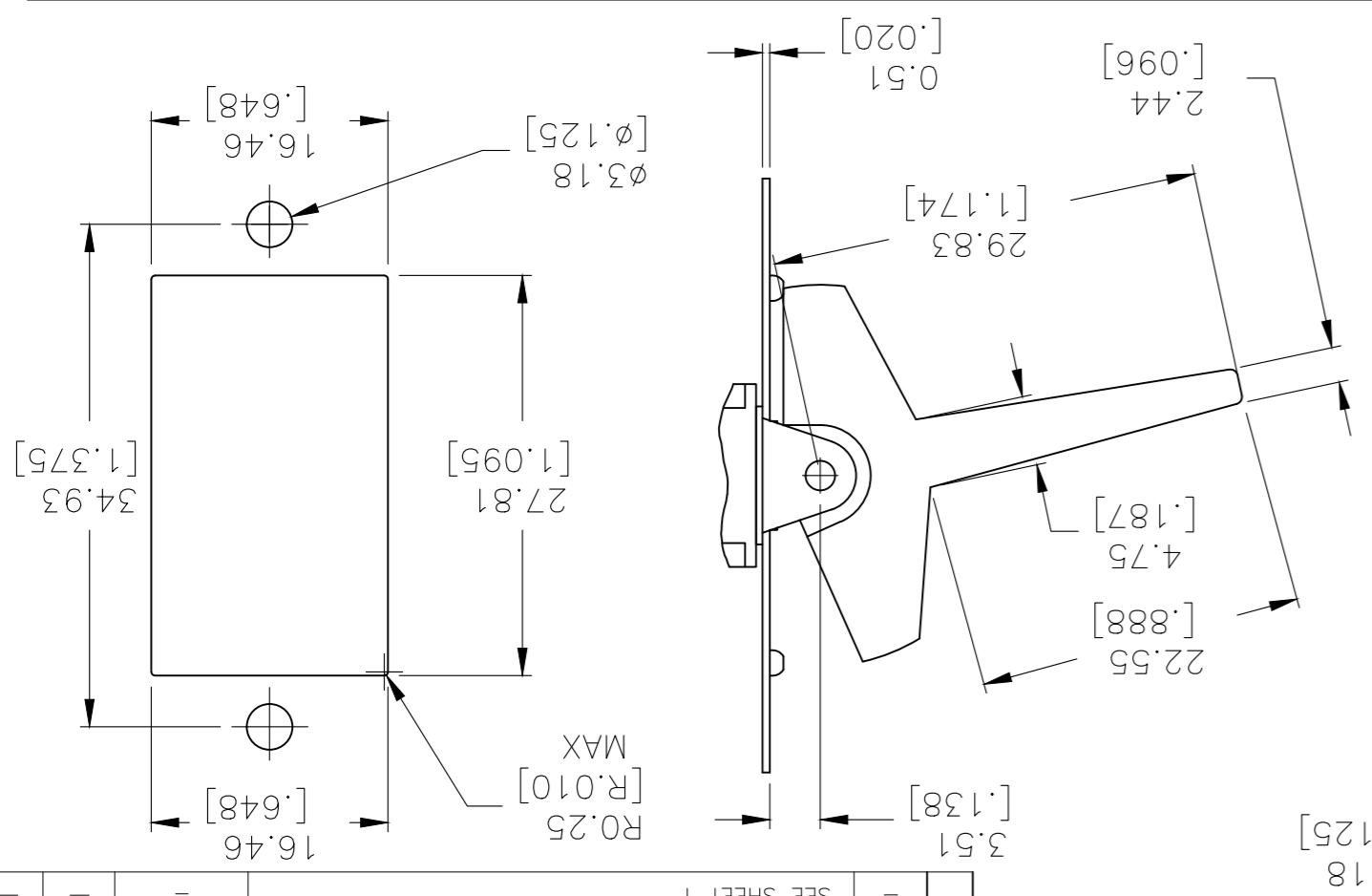
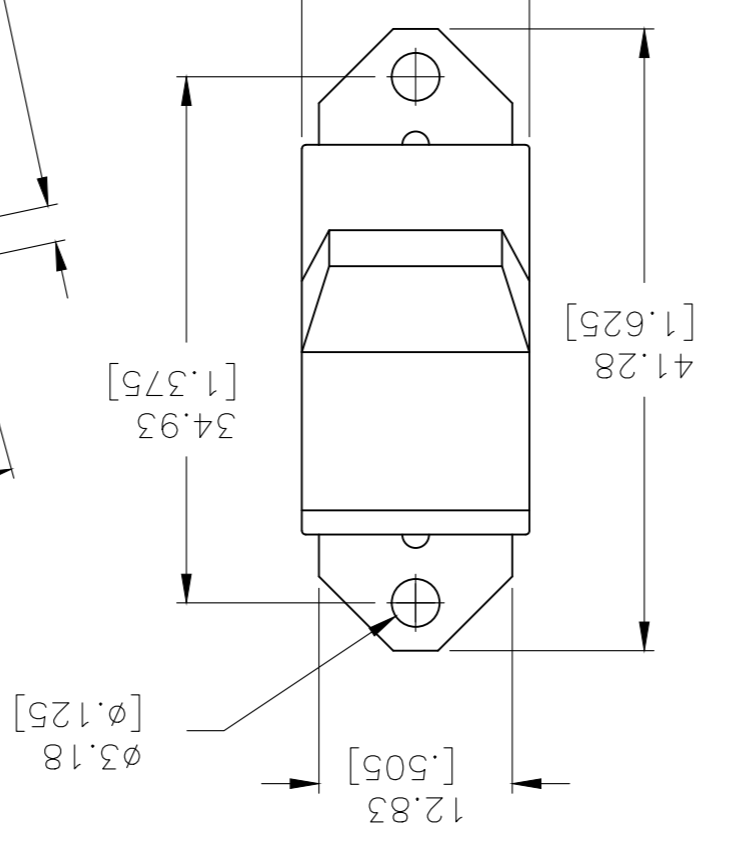
J61 SNAP-IN WITH BEZEL



J2 SMALL



J4 LARGE



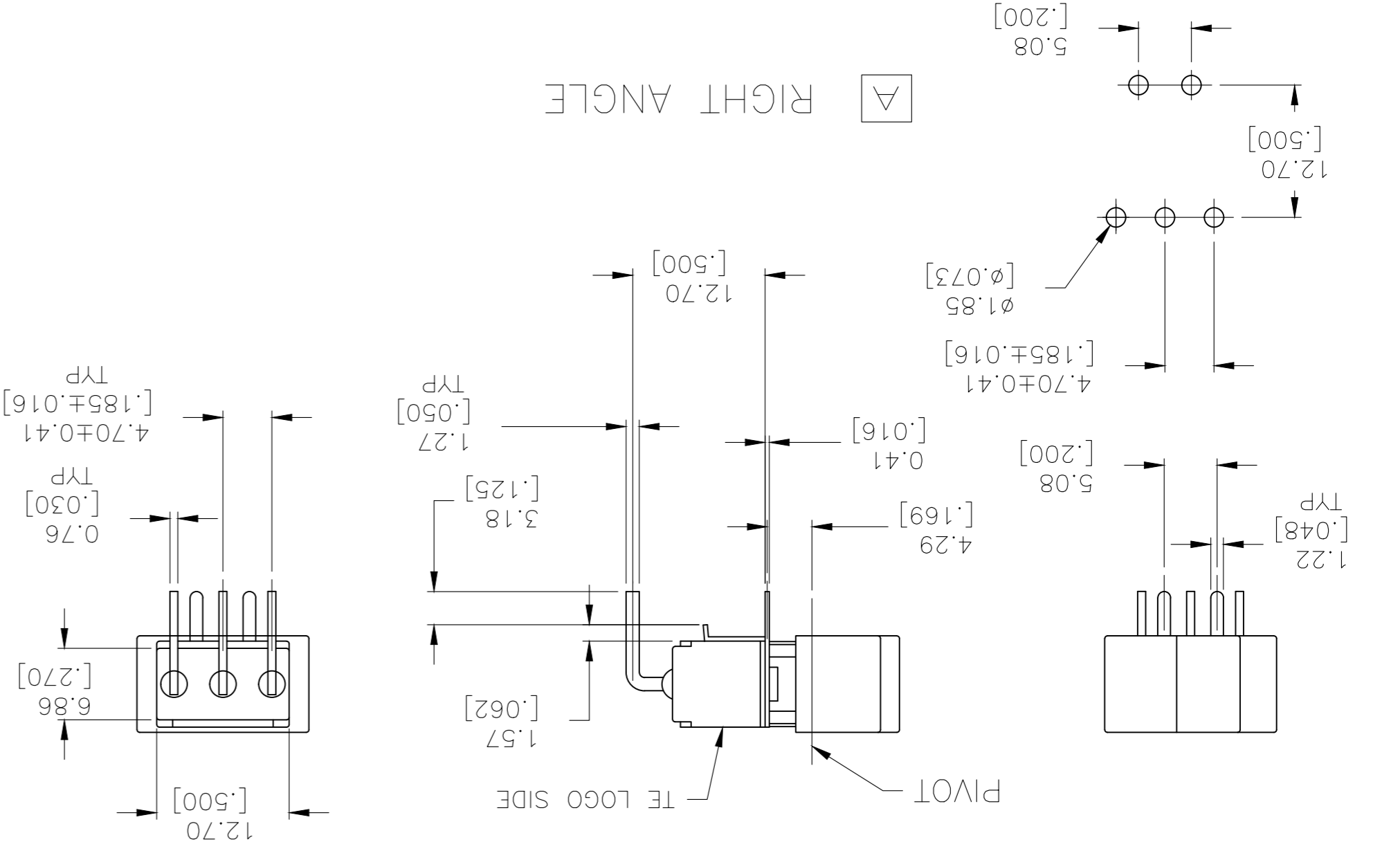
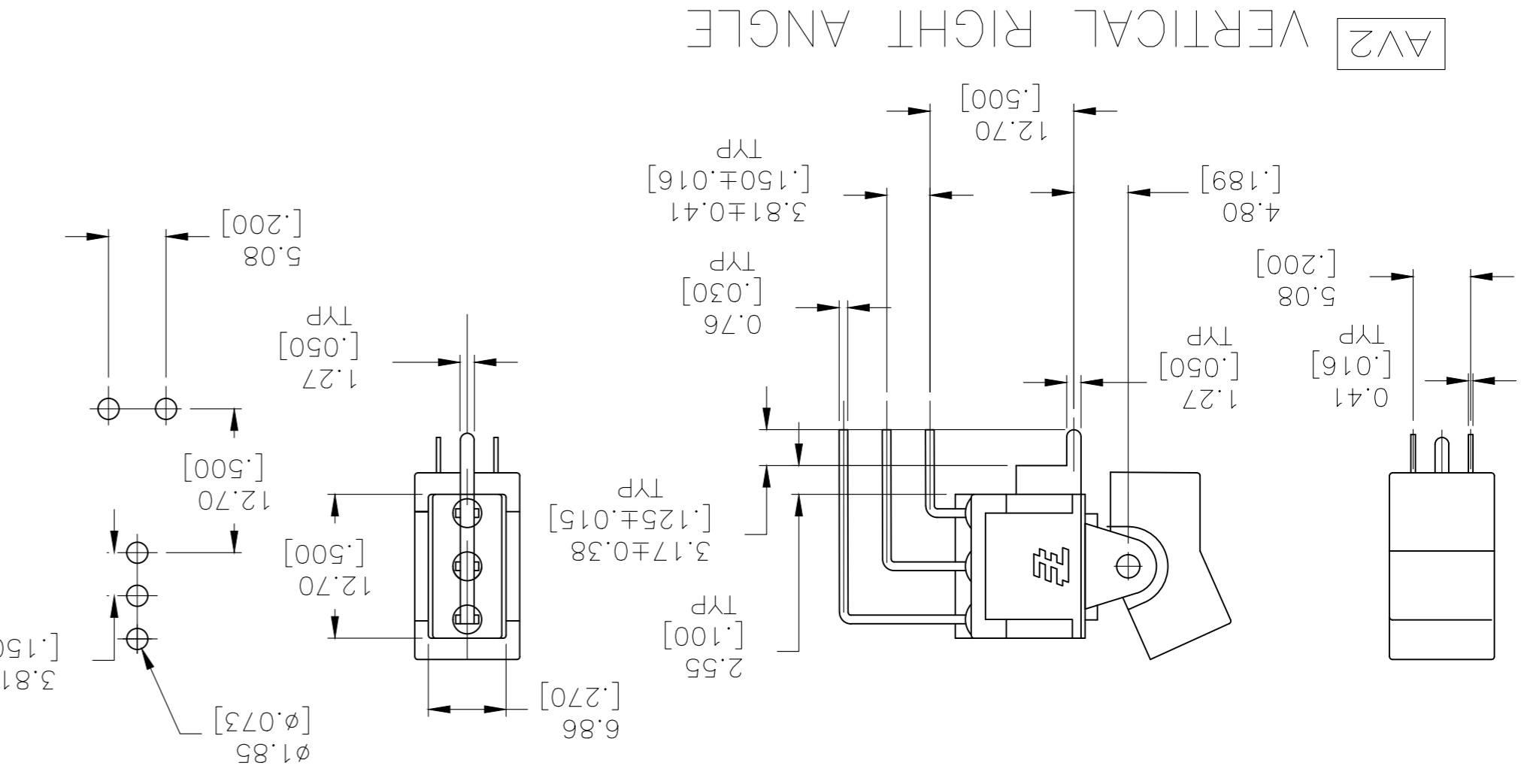
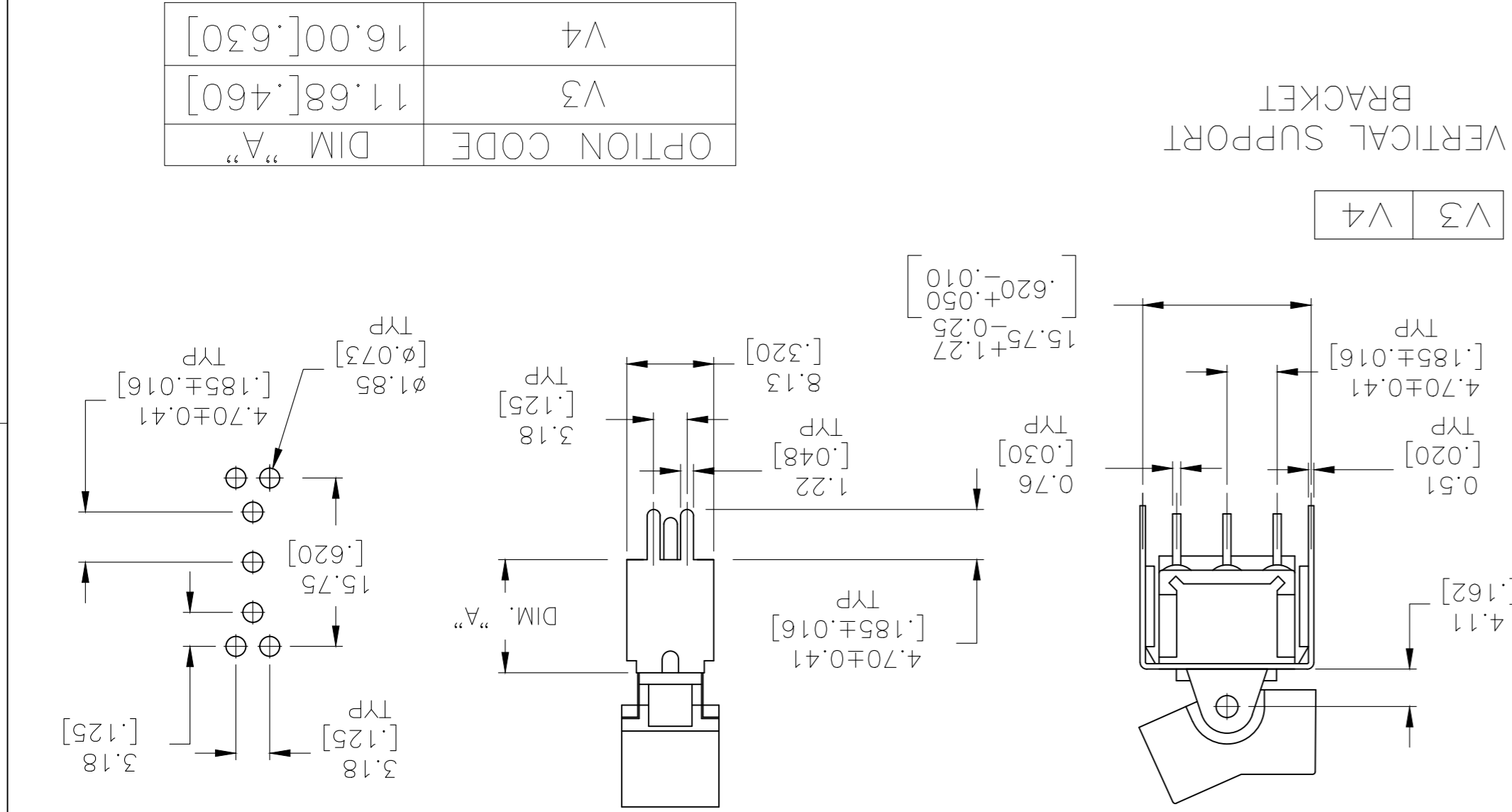
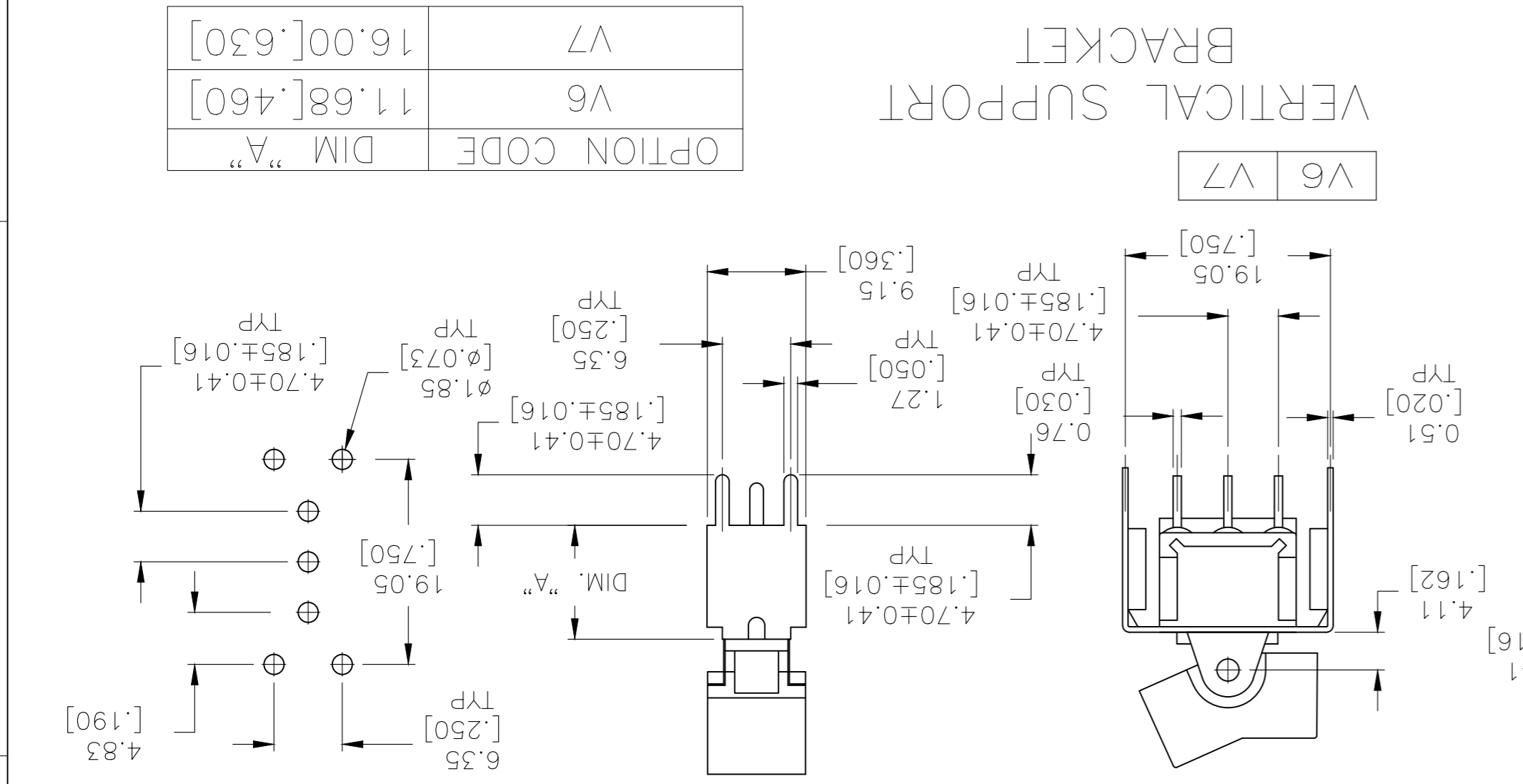
MATERIAL		FINISH		DIMENSIONS:	
-		-		mm [INCHES]	
TOLERANCES UNLESS OTHERWISE SPECIFIED:		TOLERANCES UNLESS OTHERWISE SPECIFIED:		TOLERANCES UNLESS OTHERWISE SPECIFIED:	
0 P.L.C.	±	0 P.L.C.	±	0 P.L.C.	±
1 P.L.C.	±	1 P.L.C.	±	1 P.L.C.	±
2 P.L.C.	±	2 P.L.C.	±	2 P.L.C.	±
3 P.L.C.	±	3 P.L.C.	±	3 P.L.C.	±
4 P.L.C.	±	4 P.L.C.	±	4 P.L.C.	±
APPLIC. SPEC.		APPLIC. SPEC.		APPLIC. SPEC.	
-		-		-	
WEIGHT		WEIGHT		WEIGHT	
-		-		-	
CUSTOMER DRAWING		CUSTOMER DRAWING		CUSTOMER DRAWING	
-		-		-	
SCALE		SCALE		SCALE	
2:1		2:1		2:1	
SHEET		SHEET		SHEET	
3 of 5		3 of 5		3 of 5	
REV		REV		REV	
A12		A12		A12	

M.BINNER		M.ZITTO		M.ZITTO	
CHK		CHK		CHK	
APVD		APVD		APVD	
NAME		NAME		NAME	
GEMINI A SERIES ROCKER SWITCH SINGLE POLE		GEMINI A SERIES ROCKER SWITCH SINGLE POLE		GEMINI A SERIES ROCKER SWITCH SINGLE POLE	
DRAWING NO		DRAWING NO		DRAWING NO	
1571986		1571986		1571986	
RESTRICTED TO		RESTRICTED TO		RESTRICTED TO	
-		-		-	
PANEL THICKNESS		PANEL THICKNESS		PANEL THICKNESS	
DIM "A"		DIM "A"		DIM "A"	
1.52 [.060] - 3.17 [.125]		1.52 [.060] - 3.17 [.125]		1.52 [.060] - 3.17 [.125]	
15.75 [.620] - 15.87 [.625]		15.75 [.620] - 15.87 [.625]		15.75 [.620] - 15.87 [.625]	
1.19 [.047] - 1.50 [.059]		1.19 [.047] - 1.50 [.059]		1.19 [.047] - 1.50 [.059]	
15.72 [.619]		15.72 [.619]		15.72 [.619]	

REVISIONS	DATE	DMN	APVD
1			

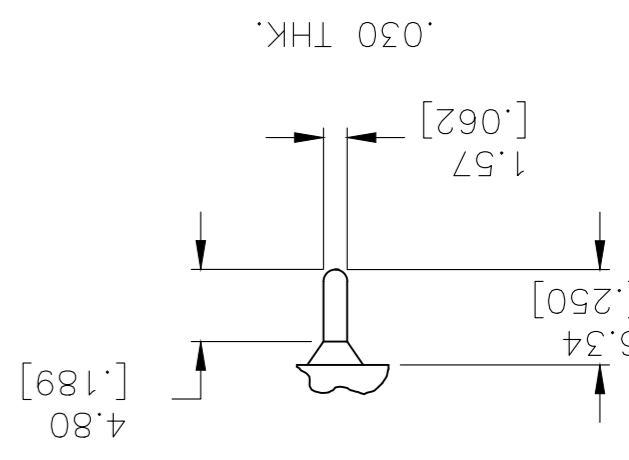
1571986

MATERIAL: -			DIMENSIONS: mm [INCHES]		
FINISH: 0 PLC ± 1 PLC ± 2 PLC ± 3 PLC ± 0.25[0.01] 4 PLC ±			TOLERANCES UNLESS OTHERWISE SPECIFIED:		
APPLICATOR SPEC: -			PRODUCT SPEC: -		
WEIGHT: -			NAME: M.ZITTO		
SIZE: A2 00779			CAGE CODE: -		
DRAWING NO: 1571986			DWM: M.BINNER		
RESTRICTED TO: -			CHK: M.ZITTO		
GEMINI A SERIES ROCKER SWITCH SINGLE POLE			APVD: -		
SCALE: 2:1			SHEET: 4 of 5		
REV: A12			CUSTOMER DRAWING		

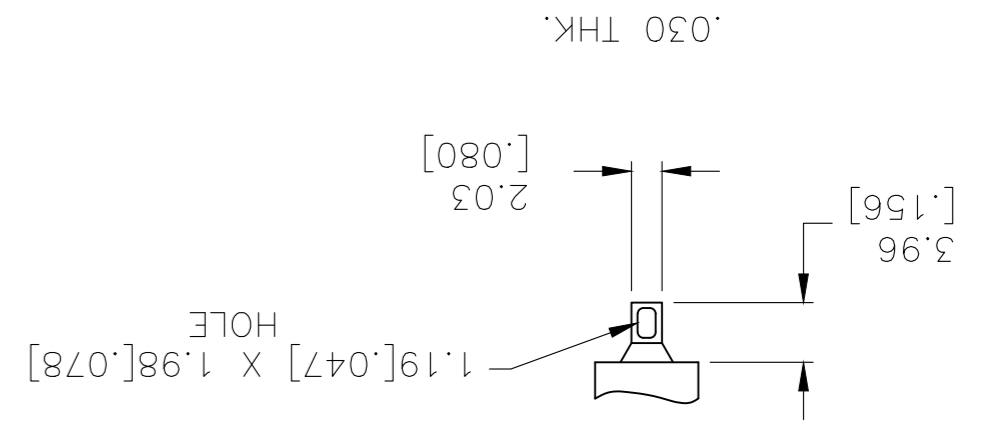


REVISIONS		DATE	DWM	APVD
1	SEE SHEET 1	-	-	-

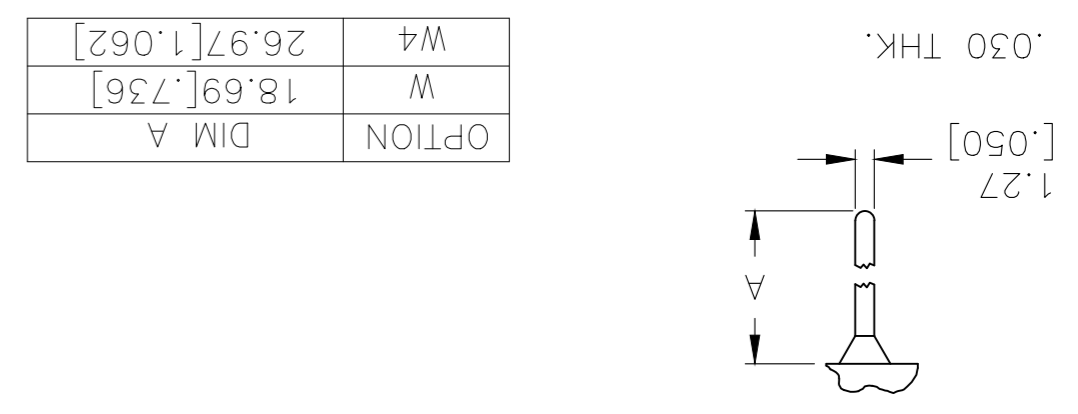
Z3 QUICK CONNECT



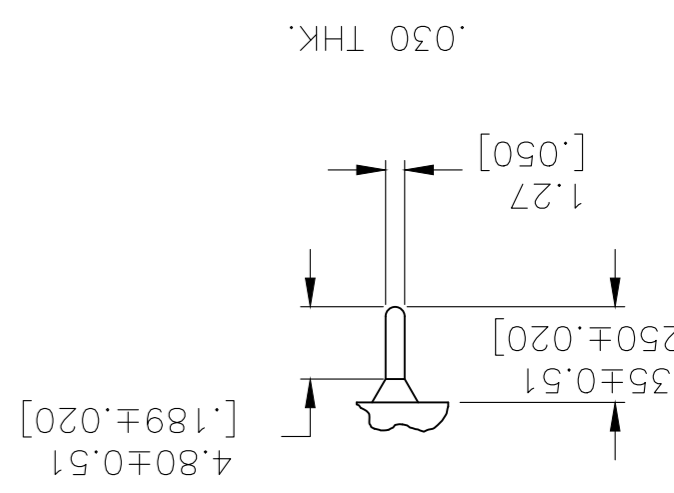
Z WIRE LUG



W W4 WIRE WRAP



C PRINTED CIRCUIT



COMPONENT NAME	BASE MATERIAL	FINISH
CASE	DAF, 30-40% GF, RED, UL94 V-0, COSMIC D72/6120F	
FRAME	304 STAINLESS STEEL	
B TERMINALS & CONTACTS	C194 COPPER	GOLD OVER NICKEL
G TERMINALS & CONTACTS	C194 COPPER	GOLD OVER SILVER
ACTUATOR	PHENOLIC, BLACK, UL94 V-1	
ROCKER CAP	NYLON, BLACK, UL94 V-1, NYTEX MG-2012N	
BUSHING & ACTUATOR LEVER	ZINC ALLOY K2	
SPRING	MUSIC WIRE	
SUPPORT BRACKET	C2680H BRASS	
PIVOT PIN	STEEL	
TERMINAL SEAL	EPOXY, UL94 V-1, BOOM HOUSE S-9001A	

THIS DRAWING IS A CONTROLLED DOCUMENT.

DWG: M.BINNER / 06JAN05
CHK: M.ZITTO / 06JAN05
NAME: GEMINI A SERIES ROCKER SWITCH

PRODUCT SPEC: SINGLE POLE
APPLICATION SPEC: —
APPROVAL SPEC: —

MATERIAL: —
DIMENSIONS: mm [INCHES]
TOLERANCES UNLESS OTHERWISE SPECIFIED:
0 PLC ±
1 PLC ±
2 PLC ±
3 PLC ± 0.25[0.01]
4 PLC ±

FINISH: —
ANGLES: ± 4°

ALCO P/N	ALCO P/N
A101J1AV2Q004AM9	7-1571986-4
A101J1AV2Q004AM8	7-1571986-3
A101J1AV2Q004AM	7-1571986-2
A108J61ZQ0004	7-1571986-0
A108J51ZQ0004	6-1571986-9
A108J1ZQ004	6-1571986-8
A108J1V3Q004	6-1571986-7
A107J61ZQ0004	6-1571986-6
A107J51ZQ0004	6-1571986-5
A105J61ZQ0004	6-1571986-4
A105J61ZC0004	6-1571986-3
A105J51ZQ0004	6-1571986-2
A105J51ZQ0004	6-1571986-1
A105J4ZQ004	6-1571986-0
A105J3ZQ004	5-1571986-9
A105J3CQ2004	5-1571986-8
A105J3CQ004	5-1571986-7
A105J2ZQ004	5-1571986-6
A105J2AV2Q004	5-1571986-5
A105J2AQ004	5-1571986-4
A105J1ZQ004	5-1571986-3
A105J1V3B004	5-1571986-2
A105J1CQ004	5-1571986-1

CUSTOMER DRAWING

SCALE: 2:1
SHEET: 5 of 5
REV: A12

WEIGHT: —
SIZE: —
DAGE CODE: 00779
DRAWING NO: 1571986

RESTRICTED TO: —

ALCO P/N	ALCO P/N
A101J1AV2Q004	1-1571986-0
A101J1AV2B004	1-1571986-1
A101J1AV2Q004	1-1571986-2
A101J1CG004	1-1571986-3
A101J1CQ004	1-1571986-4
A101J1V3B004	1-1571986-5
A101J1V3Q004	1-1571986-6
A101J1ZB004	1-1571986-7
A101J1ZQ004	1-1571986-8
A101J2AV2Q004	1-1571986-9
A101J2ZB904	2-1571986-0
A101J2ZQ004	2-1571986-1
A101J3V3Q0204	2-1571986-2
A101J3ZQ004	2-1571986-3
A101J4ZQ004	2-1571986-4
A101J4ZQ804	2-1571986-5
A101J50AV2Q004	2-1571986-6
A101J50V3Q004	2-1571986-7
A101J50V3Q204	2-1571986-8
A101J50ZQ004	2-1571986-9
A101J51CB004	2-1571986-0
A101J51Z3C0004	3-1571986-1
A101J51Z3Q0004	3-1571986-2
A101J51ZB004	3-1571986-3
A101J51ZQ0004	3-1571986-4
A101J51ZQ2004	3-1571986-5
A101J61ZQ004	3-1571986-6
NOT ASSIGNED	3-1571986-7
A103J1AV2B004	3-1571986-8
A103J1AV2Q004	3-1571986-9
A103J1V3Q004	4-1571986-0
A103J1ZQ004	4-1571986-1
A103J2CB004	4-1571986-2
A103J2ZQ004	4-1571986-3
A103J3ZQ004	4-1571986-4
A103J51ZQ0004	4-1571986-5
A103J61ZQ0004	4-1571986-6
A103J1AV2Q004MB	4-1571986-7
NOT ASSIGNED	4-1571986-8
A105J1AQ004	4-1571986-9
A105J1AV2Q004	5-1571986-0

P	LTR	DATE	DESCRIPTION
—	—	—	—

REVISIONS

GEMINI A SERIES ROCKER SWITCH

TE Connectivity

SCALE: 2:1
SHEET: 5 of 5
REV: A12

ALCO P/N	ALCO P/N
A101J1AB004	1571986-7
A101J1AB004	1571986-8
A101J1AQ004	1571986-8
A101J1AQ204	1571986-9
A101J1AV2B004	1-1571986-0
A101J1AV2Q004	1-1571986-1
A101J1CG004	1-1571986-2
A101J1CQ004	1-1571986-3
A101J1V3B004	1-1571986-4
A101J1V3Q004	1-1571986-5
A101J1ZB004	1-1571986-6
A101J1ZQ004	1-1571986-7
A101J2AV2Q004	1-1571986-8
A101J2ZB904	1-1571986-9
A101J2ZQ004	2-1571986-0
A101J3V3Q0204	2-1571986-1
A101J3ZQ004	2-1571986-2
A101J4ZQ004	2-1571986-3
A101J4ZQ804	2-1571986-4
A101J50AV2Q004	2-1571986-5
A101J50V3Q004	2-1571986-6
A101J50V3Q204	2-1571986-7
A101J50ZQ004	2-1571986-8
A101J51CB004	2-1571986-9
A101J51Z3C0004	3-1571986-0
A101J51Z3Q0004	3-1571986-1
NOT ASSIGNED	3-1571986-2
A101J51ZB004	3-1571986-3
A101J51ZQ0004	3-1571986-4
A101J51ZQ2004	3-1571986-5
A101J61ZQ004	3-1571986-6
NOT ASSIGNED	3-1571986-7
A103J1AV2B004	3-1571986-8
A103J1AV2Q004	3-1571986-9
A103J1V3Q004	4-1571986-0
A103J1ZQ004	4-1571986-1
A103J2CB004	4-1571986-2
A103J2ZQ004	4-1571986-3
A103J3ZQ004	4-1571986-4
A103J51ZQ0004	4-1571986-5
A103J61ZQ0004	4-1571986-6
A103J1AV2Q004MB	4-1571986-7
NOT ASSIGNED	4-1571986-8
A105J1AQ004	4-1571986-9
A105J1AV2Q004	5-1571986-0

REVISIONS	DATE	DESCRIPTION
—	—	—

SEE SHEET 1

X-ON Electronics

Largest Supplier of Electrical and Electronic Components

Click to view similar products for [Rocker Switches](#) category:

Click to view products by [TE Connectivity](#) manufacturer:

Other Similar products are found below :

[VKD2GHNB-00000-000](#) [VSD2GNNB-00000-000](#) [6-1571986-5](#) [6-1571986-9](#) [632422-4B-KD](#) [7036WWCDBX653+U622](#) [8055K52Z7V](#)
[8138K20E6M50](#) [FMC18A2200002](#) [84206L](#) [84312LX](#) [PREDD4-07F-BB0FW](#) [PREDD5-07F-BB0GW](#) [PRFDD1-16F-BB000](#) [PRFDD3-16F-](#)
[BB000](#) [1-1634201-0](#) [999-16702-001](#) [A101J2ZQ004](#) [A101J4ZQ004](#) [A101J51CB0004](#) [A107J51ZQ0004](#) [A201J1AQ004](#) [A201J1AV2Q004](#)
[A201J3ZB004](#) [A201J50ZQ004](#) [A203J51ZQ0004](#) [A226L11YZQ](#) [A22L11A](#) [A435S1YZQ](#) [H8500XBBBBL-A](#) [H8653VBBG2577W](#)
[HB130CHNWWNAAC](#) [1251.0303](#) [AE205J60V3B004](#) [RH110C2NBB](#) [1352.0107](#) [1363.0201](#) [AML25GBF2AA03GR](#) [1571099-3](#) [1571987-4](#)
[1571987-5](#) [1571989-7](#) [B123J77V7B2](#) [B226J50W4Q22P](#) [B433J37ZQ22M](#) [160212E](#) [1801.1164](#) [1831.1102](#) [1833.3402](#) [1837.1118](#)