

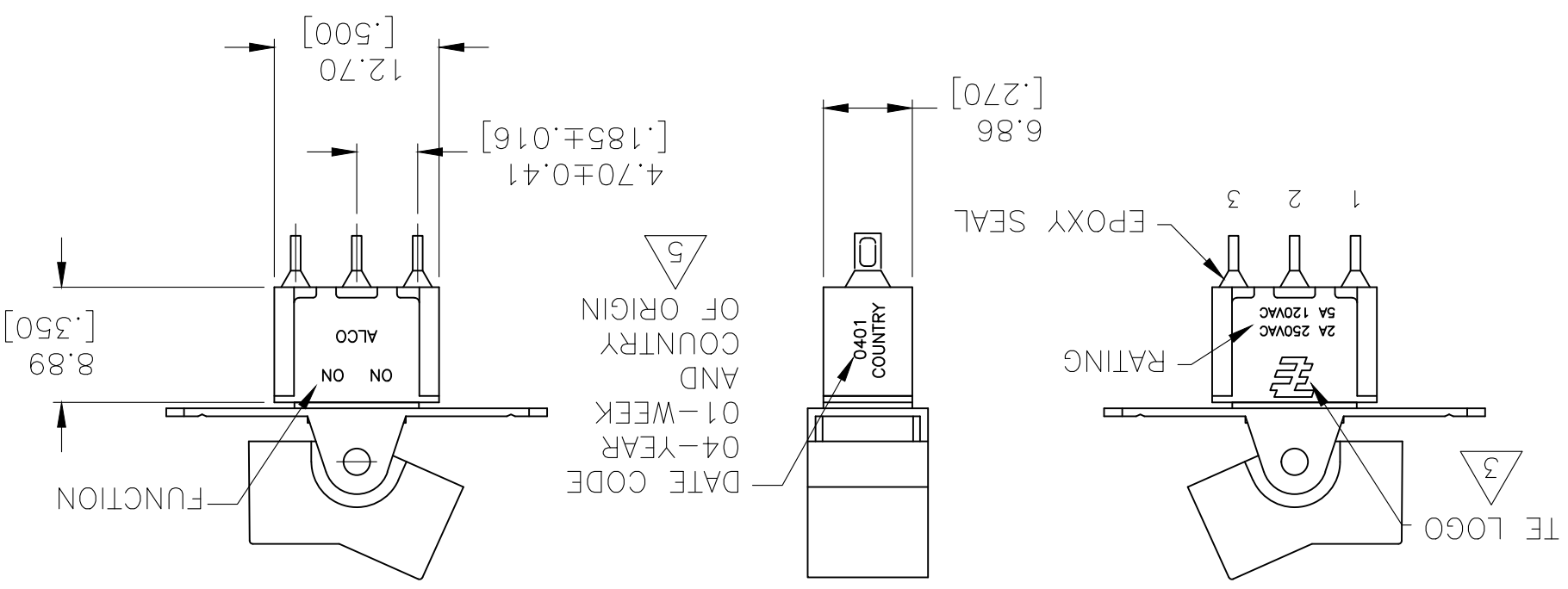
SPECIFICATIONS

RATING, B CONTACTS	.4VA MAX @20V MAX. AC OR DC
RATING, G CONTACTS-SEE NOTE 2	.4VA MAX @20V MAX. AC OR DC OR 5A @120 VAC OR 28 VDC (RESISTIVE) 2A @250 VAC (RESISTIVE)
RATING, Q CONTACTS	2A @250 VAC (RESISTIVE) 5A @120 VAC OR 28 VDC (RESISTIVE)
ELECTRICAL LIFE	6,000 CYCLES AT RATED LOAD
CONTACT RESISTANCE	10 MILLIOHMS MAX INITIAL @ 2-4VDC, 100MA
INSULATION RESISTANCE	1,000 MEGOHMS MIN
DIELECTRIC WITHSTANDING VOLTAGE	1,000 V RMS AT SEA LEVEL
OPERATING TEMPERATURE	-30C TO 85C

FUNCTION CHART

FUNCTION	1 2 3	1 2 3	1 2 3
01	ON	NONE	ON
03	ON	OFF	ON
05	ON	OFF	ON
07	ON	OFF	ON
08	ON	NONE	ON
TERMINALS CONNECTED	2-3	---	1-2

(ON): MOMENTARY ACTION
 OFF: MECHANICAL POSITION WITH NO ELECTRICAL CONNECTION
 NONE: NO MECHANICAL POSITION



THIS DRAWING IS A CONTROLLED DOCUMENT.

MATERIAL	-
DIMENSIONS:	mm [INCHES]
TOLERANCES UNLESS OTHERWISE SPECIFIED:	0 PLC ± 1 PLC ± 2 PLC ± 3 PLC ± 4 PLC ±
FINISH	-
ANGLES	± .4°
APPLICATIO SPEC	0.25[0.01]
WEIGHT	-
SIZE	A2
DRAWING NO	00779
AGE CODE	1571986
RESTRICTED TO	-

CUSTOMER DRAWING SCALE 2:1 SHEET 1 of 5 REV A12

MODEL	FUNCTION	ACTUATOR	TERMINAL	CONTACT	ACTUATOR COLOR	BEZEL COLOR	ROHS
A1	01	J1	A	B	0 BLACK (STD)	0 BLACK (STD)	04
	03	J3	AV2	G	1 BROWN	1 BROWN	
	05	J50	C	Q	2 RED	2 RED	
	07	J51	V3		3 ORANGE	3 ORANGE	
	08	J52	V4		4 YELLOW	4 YELLOW	
		J2	V6		5 GREEN	5 GREEN	
		J4	V7		6 BLUE	6 BLUE	
		J60	W		8 GRAY	8 GRAY	
		J61	W4		9 WHITE	9 WHITE	
		J62	Z				
			Z3				

PART NUMBER SEQUENCE CHART

1 ALL MATERIALS AND FINISHES SHALL COMPLY WITH EU DIRECTIVE 2002/95/EC OF 27JAN2003 (ROHS).

2 G CONTACT OPTION CAN BE USED FOR SIGNAL OR POWER LEVEL SWITCHING. IF SWITCH IS USED AT LEVELS EXCEEDING .4VA @ 20V AC/DC, SWITCH IS RENDERED FOR POWER SWITCHING ONLY DUE TO ARC REMOVAL OF GOLD PLATING. RATING MARKED ON SWITCH IS 2A 250VAC, 5A 120VAC.

3 TE CONNECTIVITY LOGO PER PER TEC-202-36.

5 DATE CODE AND COUNTRY OF ORIGIN MAY APPEAR ON EITHER SIDE OF SWITCH.

6 PANEL MOUNT BRACKET SUPPLIED WITH TERMINALS W, Z AND Z3 ONLY.

7 ACTUATOR MARKED .

8 ACTUATOR MARKED .

9 ACTUATOR MARKED .

10 ALL LOGO, RATING, DATE CODE, AND FUNCTION MARKINGS TO BE LASER MARKED.

11 OBSOLETE

12 GRAY ACTUATOR WITH MODIFIED BRACKET (SUPPORT BRACKET TRIMMED PARALLEL TO THE PCB)

REV	DATE	DESCRIPTION
A12	10MAY2017	REVISED PER ECO-17-001761
RK		
AS		

A

B

C

D

A

B

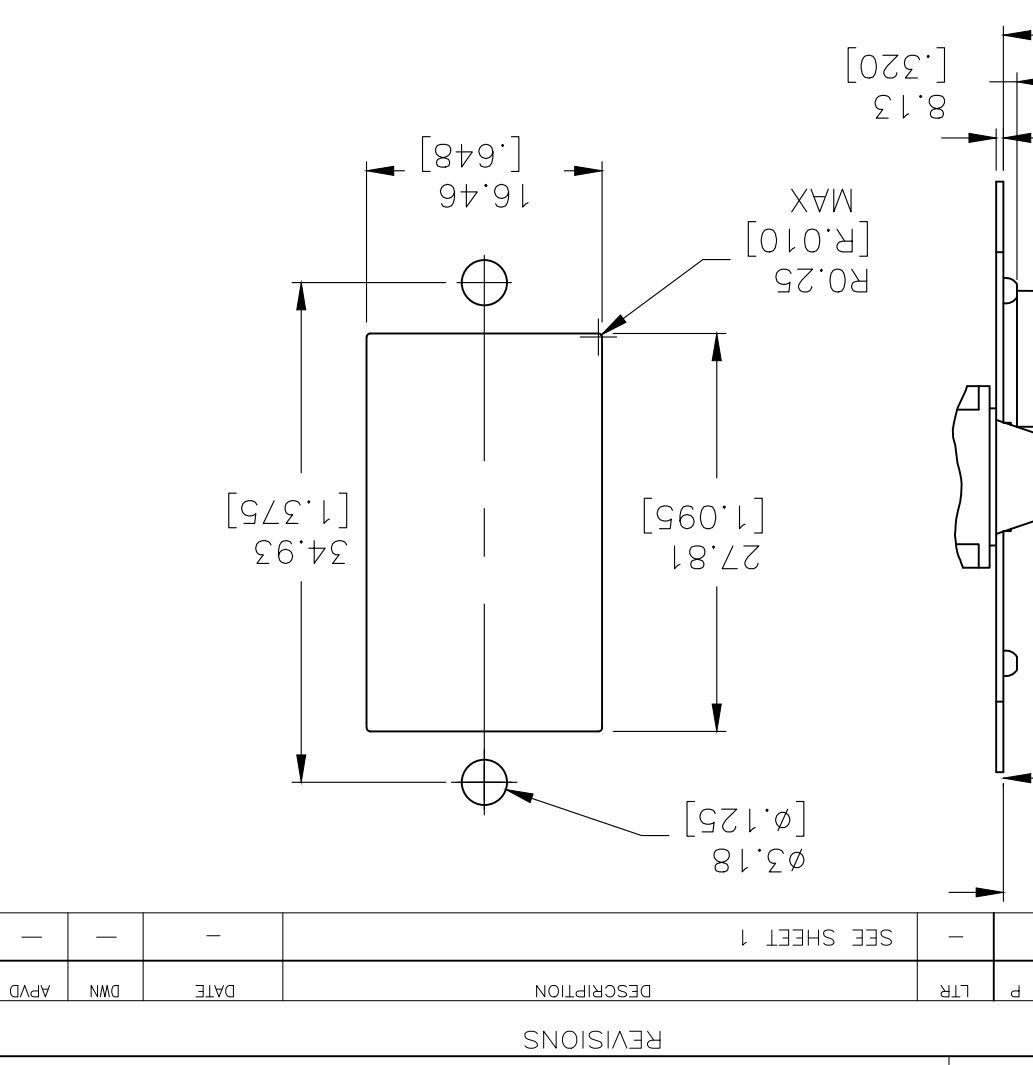
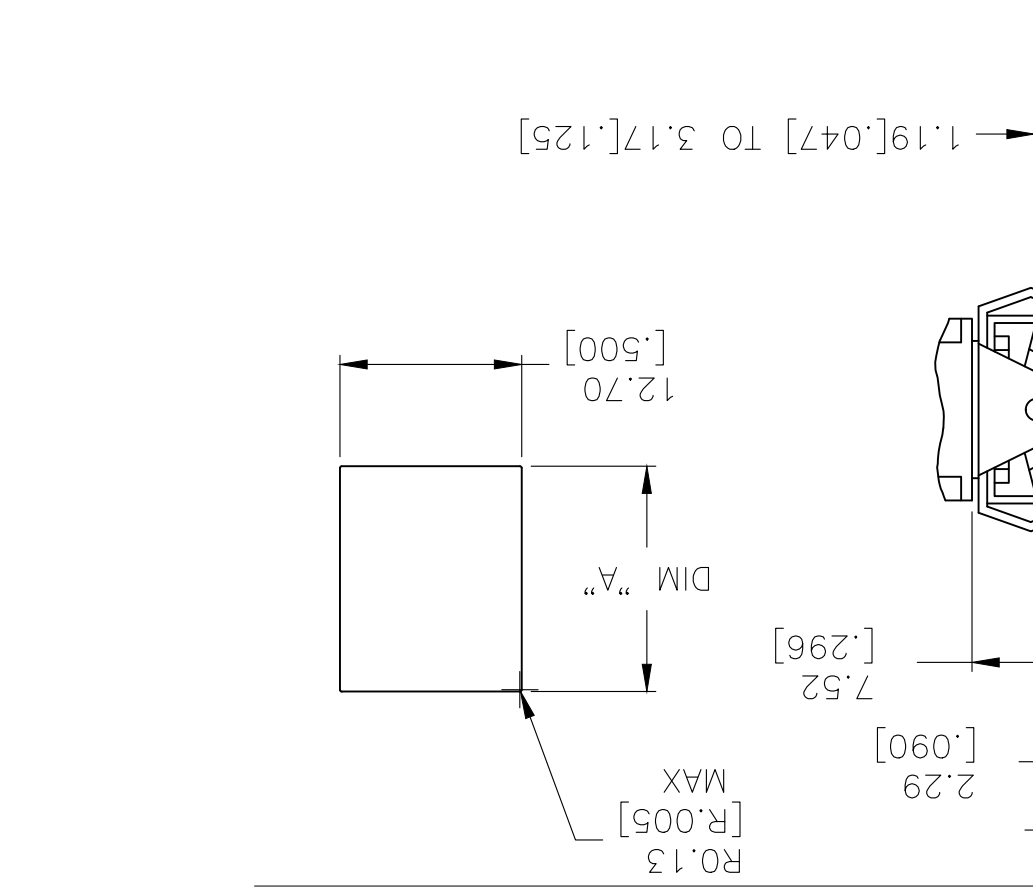
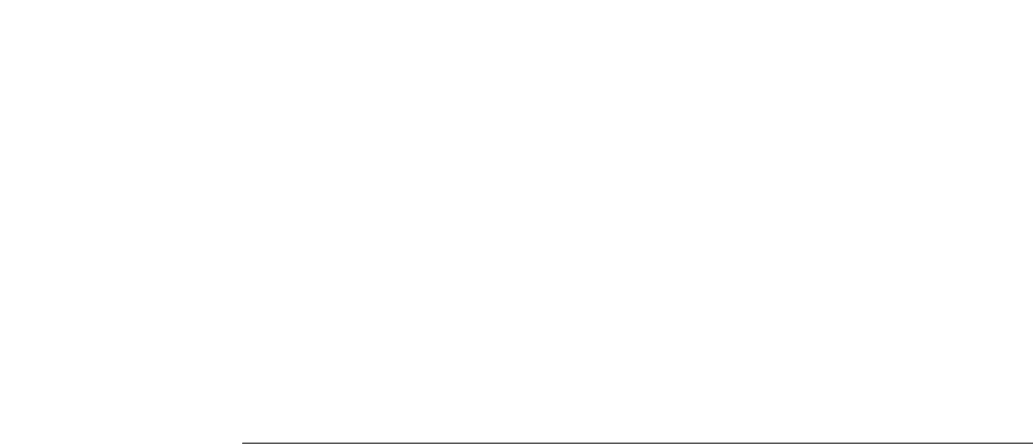
C

D

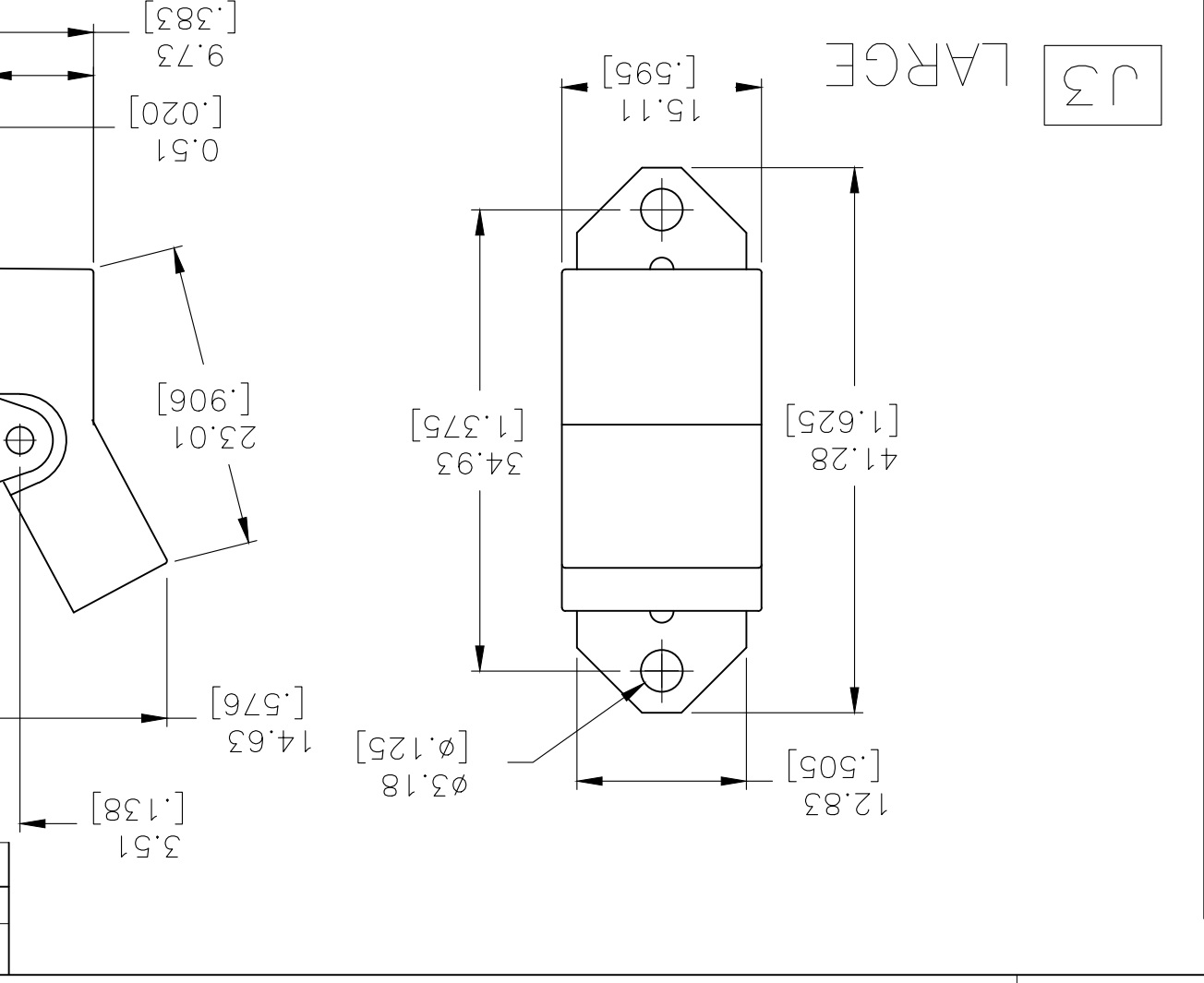
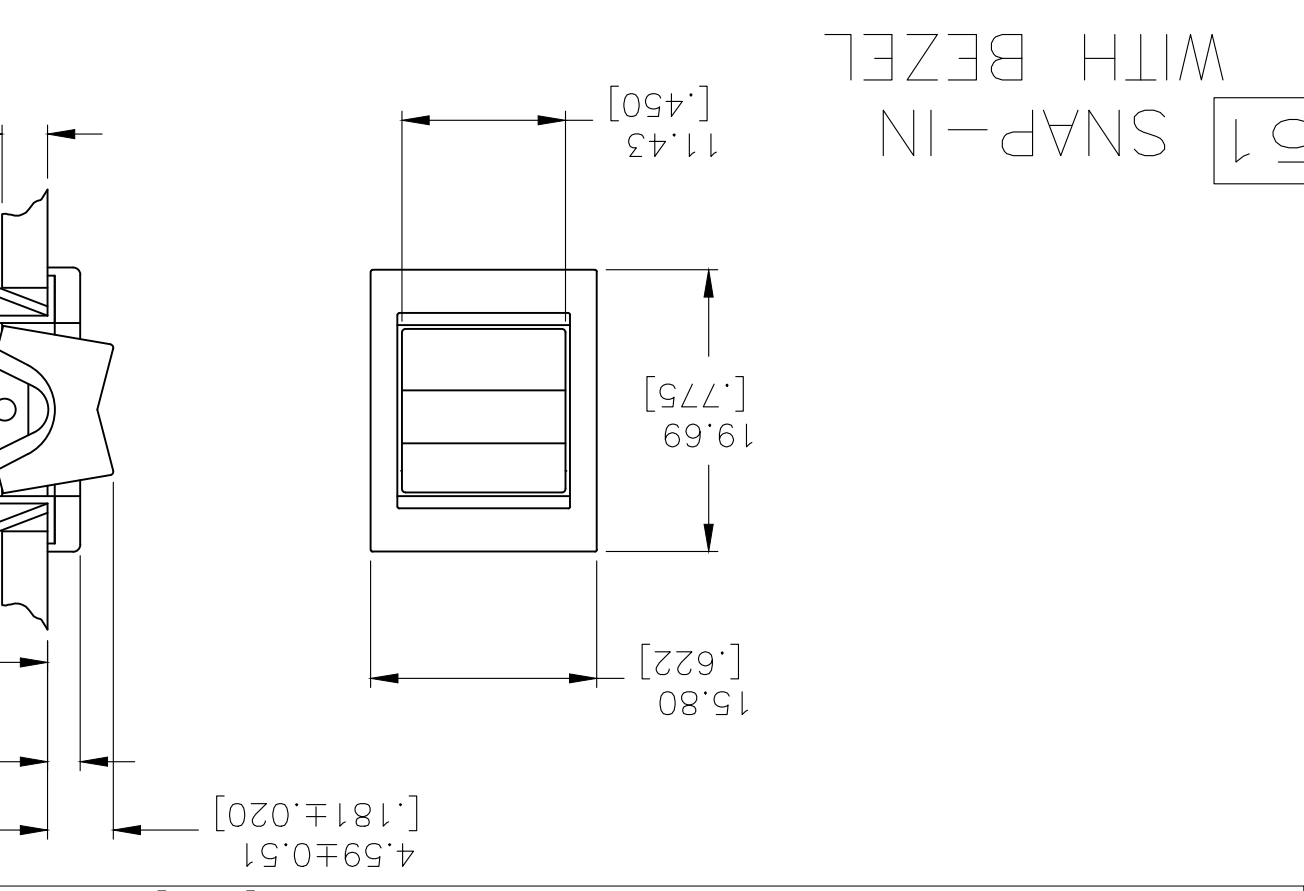
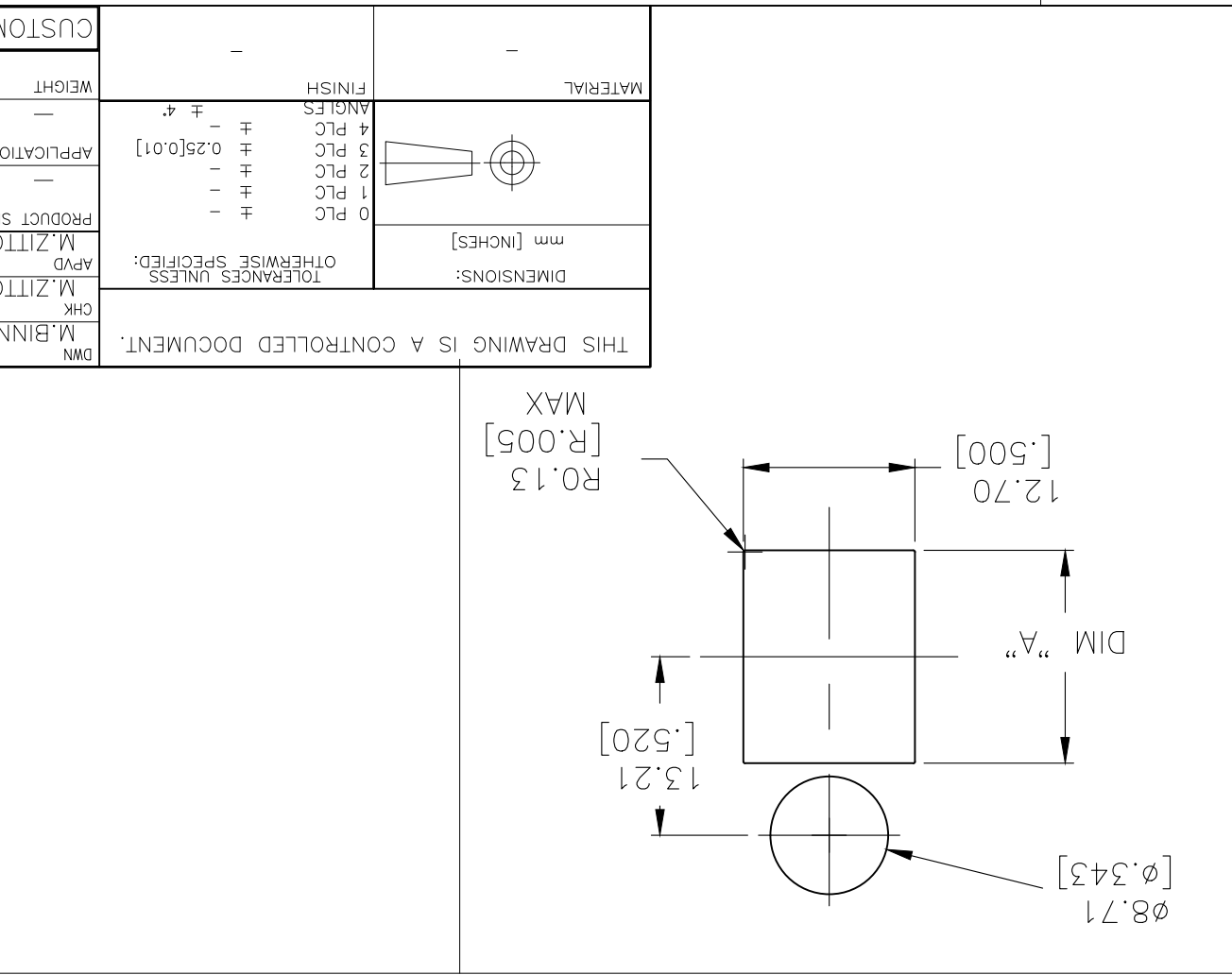
1571986

MATERIAL: -		FINISH: -		MATERIAL: -	
DIMENSIONS: mm [INCHES]		TOLERANCES UNLESS OTHERWISE SPECIFIED:		TOLERANCES UNLESS OTHERWISE SPECIFIED:	
0 P.L.C. ±		1 P.L.C. ±		0 P.L.C. ±	
1 P.L.C. ±		2 P.L.C. ±		1 P.L.C. ±	
2 P.L.C. ±		3 P.L.C. ±		2 P.L.C. ±	
3 P.L.C. ±		4 P.L.C. ±		3 P.L.C. ±	
4 P.L.C. ±		ANGLES: ± .4°		ANGLES: ± .4°	
APPLIC. SPEC.		APPLIC. SPEC.		APPLIC. SPEC.	
PRODUCT SPEC.		PRODUCT SPEC.		PRODUCT SPEC.	
NAME: GEMINI A SERIES ROCKER SWITCH		NAME: GEMINI A SERIES ROCKER SWITCH		NAME: GEMINI A SERIES ROCKER SWITCH	
M.ZITTO APVD		M.ZITTO APVD		M.ZITTO APVD	
M.ZITTO		M.ZITTO		M.ZITTO	
M.BINNER		M.BINNER		M.BINNER	
TE Connectivity		TE Connectivity		TE Connectivity	
DRAWING NO. 1571986		DRAWING NO. 1571986		DRAWING NO. 1571986	
SIZE: A2		SIZE: A2		SIZE: A2	
AGE CODE: 00779		AGE CODE: 00779		AGE CODE: 00779	
RESTRICTED TO: -		RESTRICTED TO: -		RESTRICTED TO: -	
SCALE: 2:1		SCALE: 2:1		SCALE: 2:1	
SHEET: 2 of 5		SHEET: 2 of 5		SHEET: 2 of 5	
REV: A12		REV: A12		REV: A12	

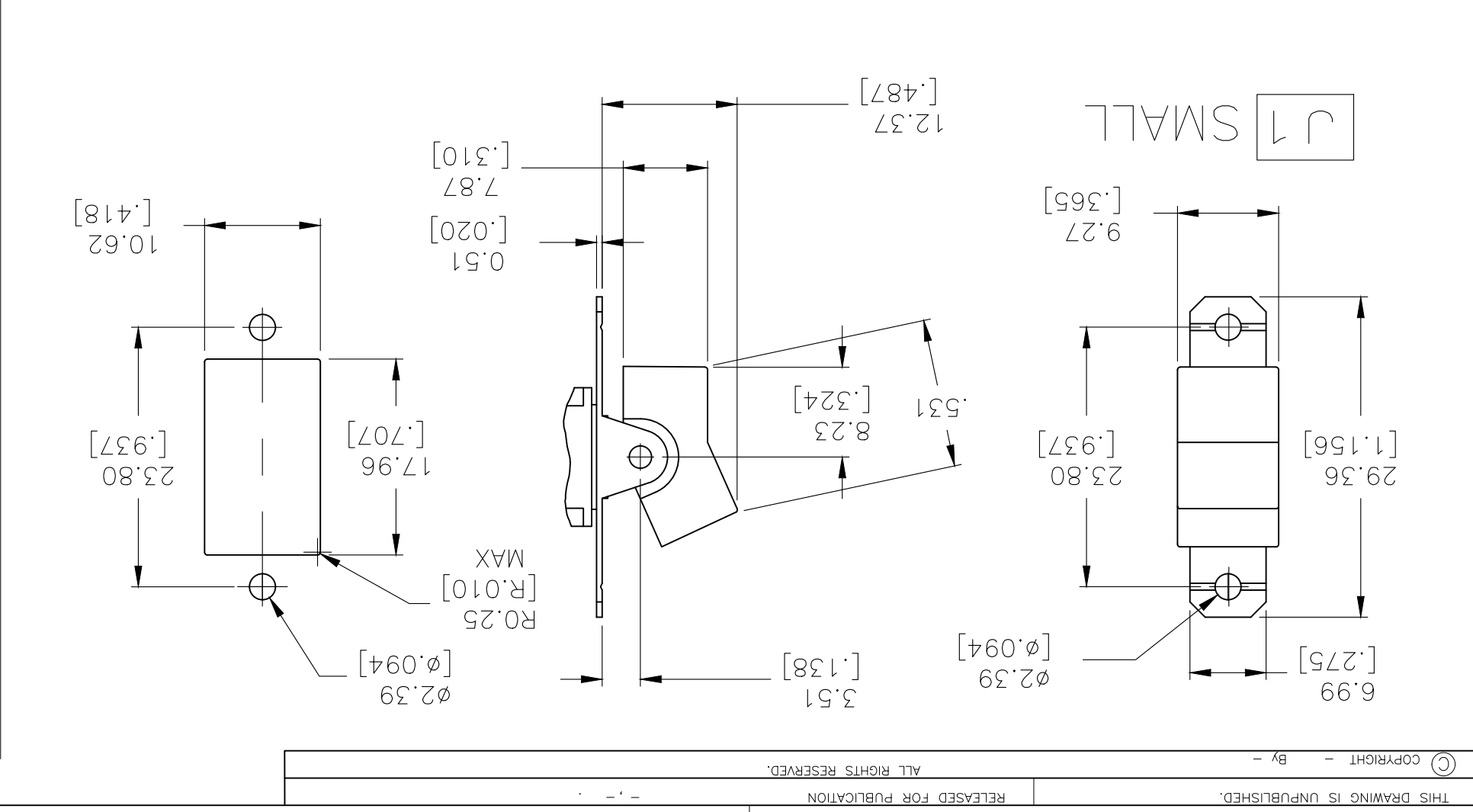
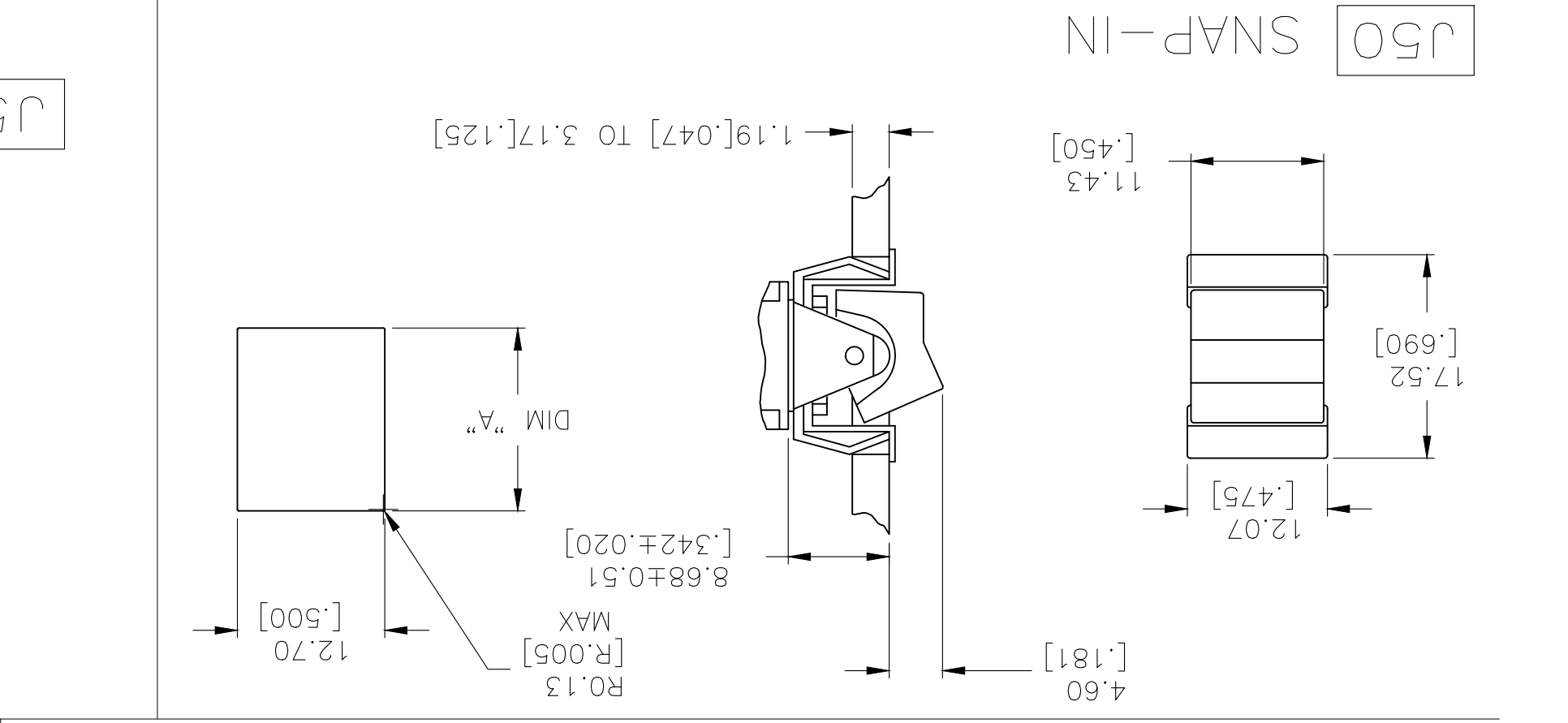
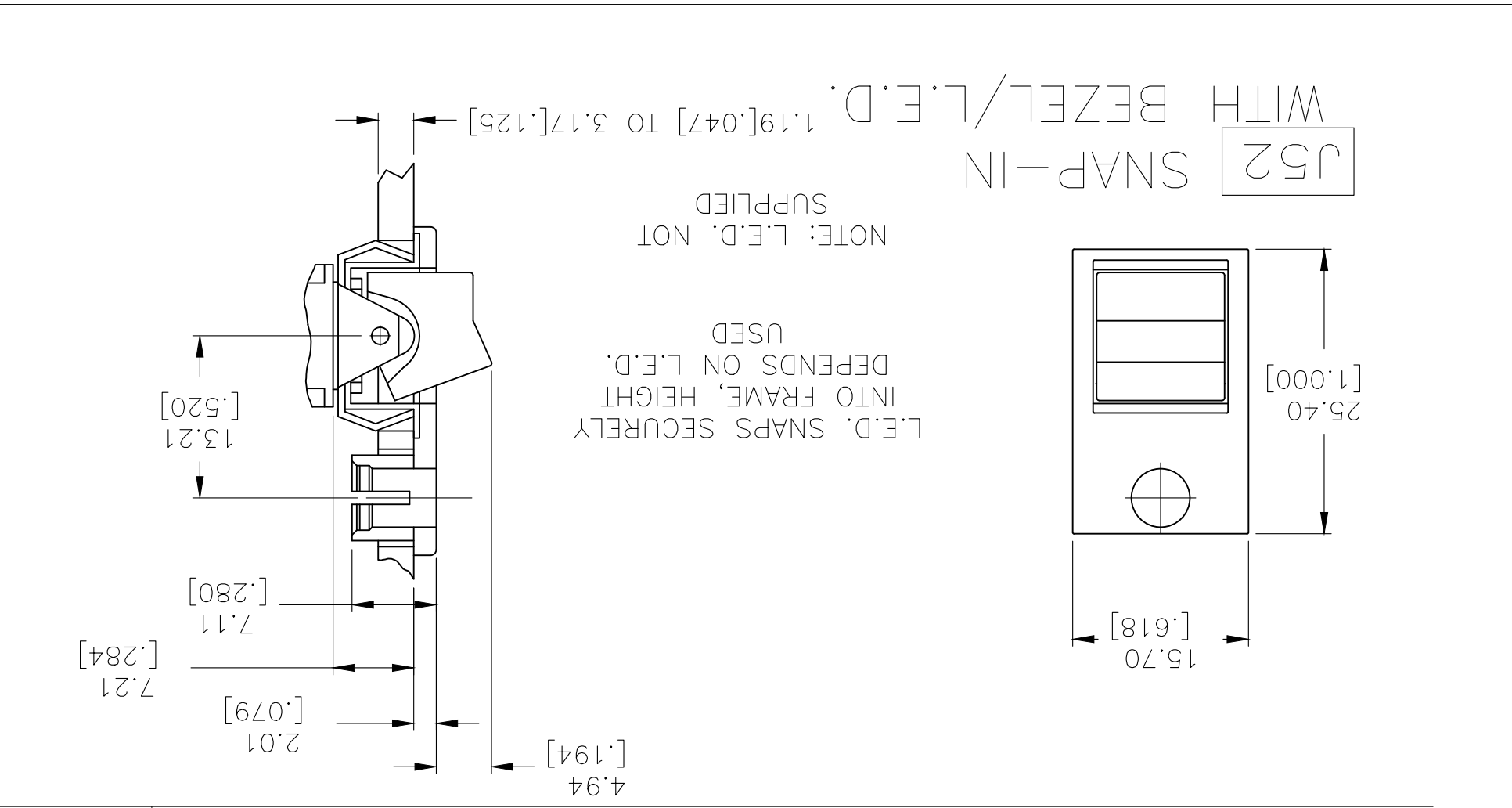
PANEL THICKNESS		PANEL THICKNESS	
1.52 [.060] - 3.17 [.125]	15.75 [.620] - 15.87 [.625]	1.52 [.060] - 3.17 [.125]	15.75 [.620] - 15.87 [.625]
1.19 [.047] - 1.50 [.059]	15.72 [.619]	1.19 [.047] - 1.50 [.059]	15.72 [.619]
DIM "A"		DIM "A"	



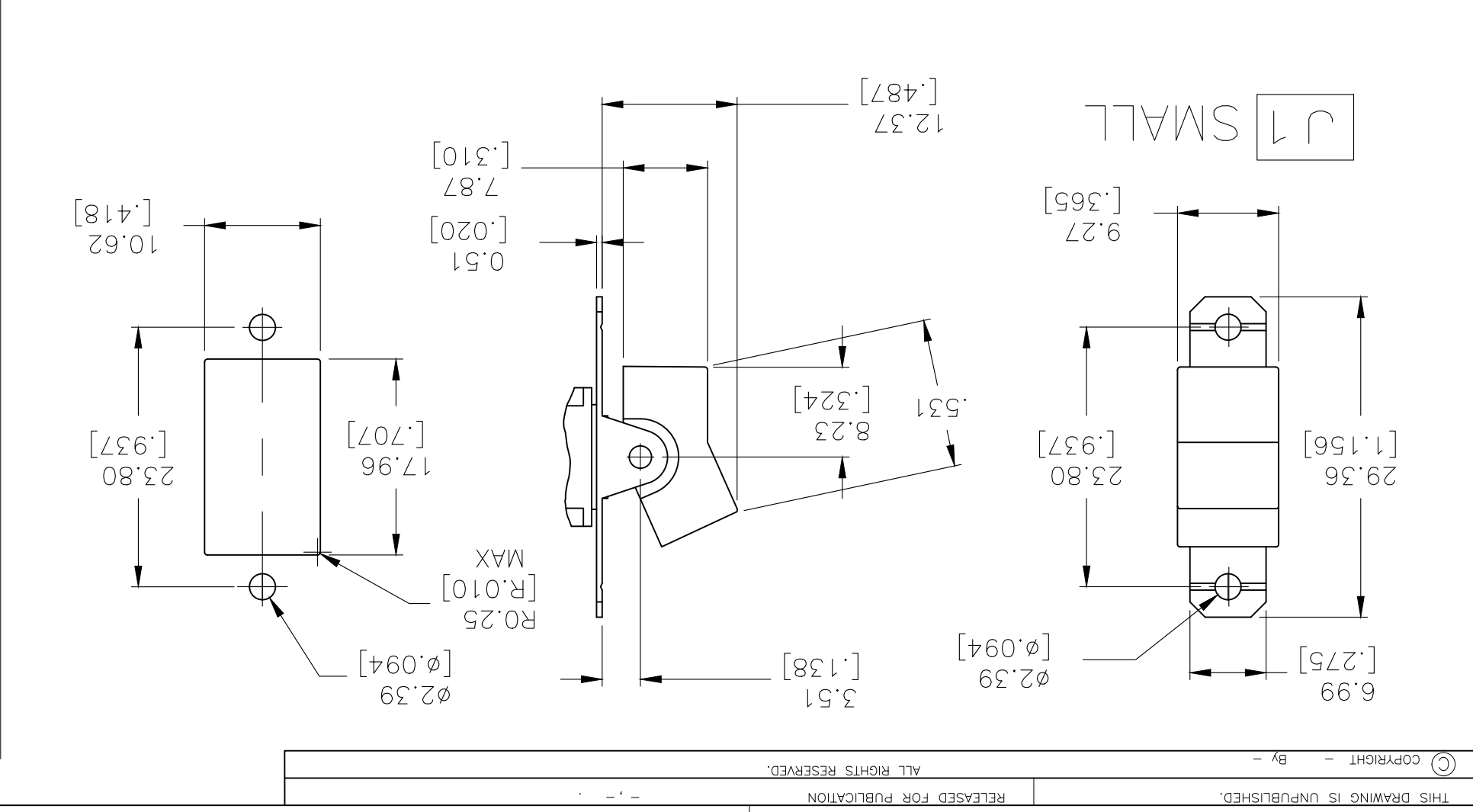
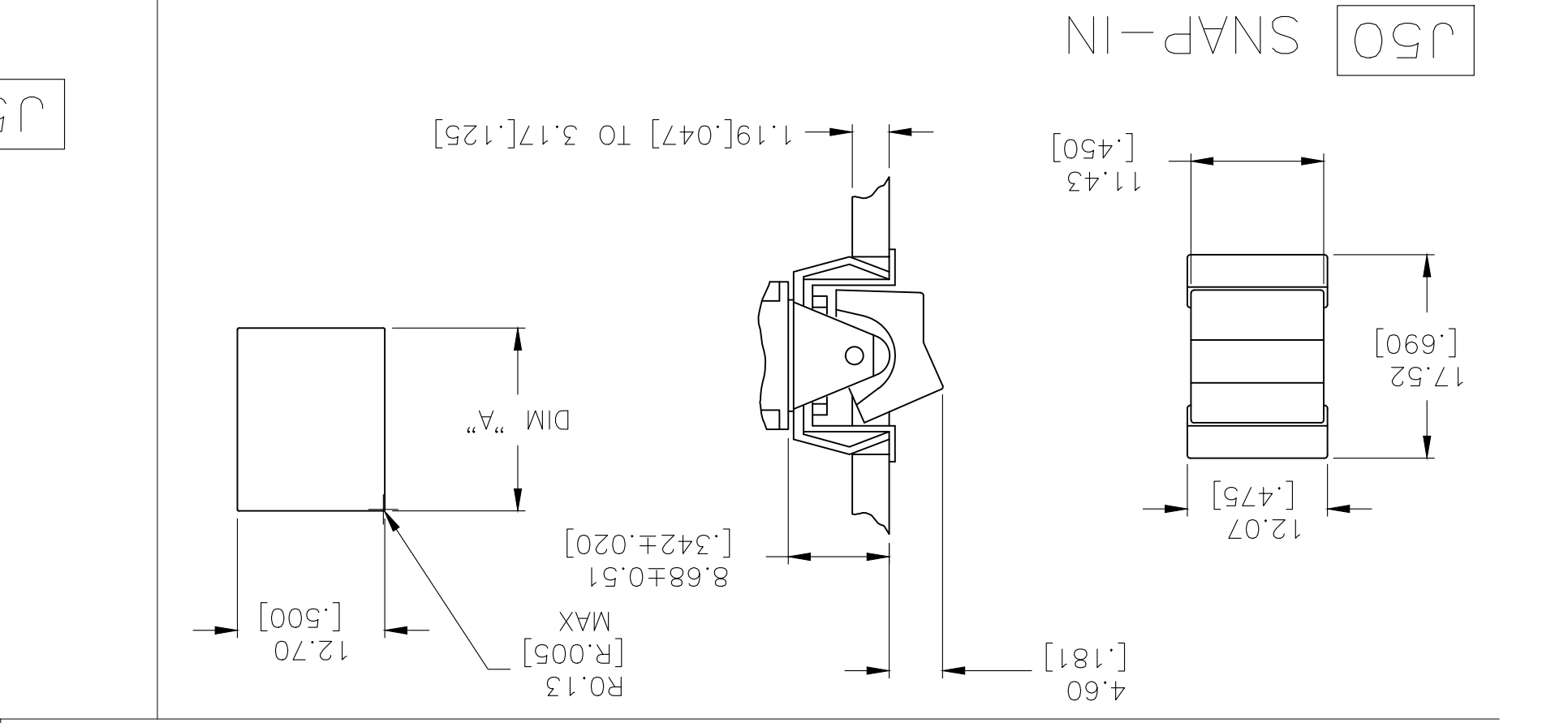
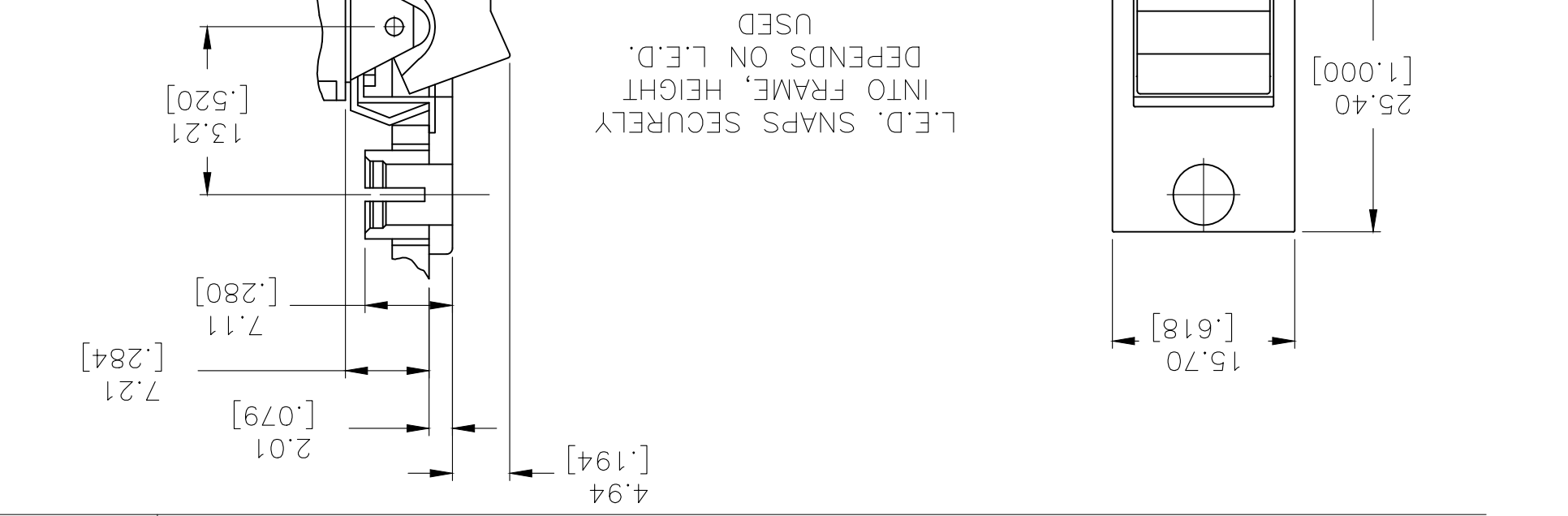
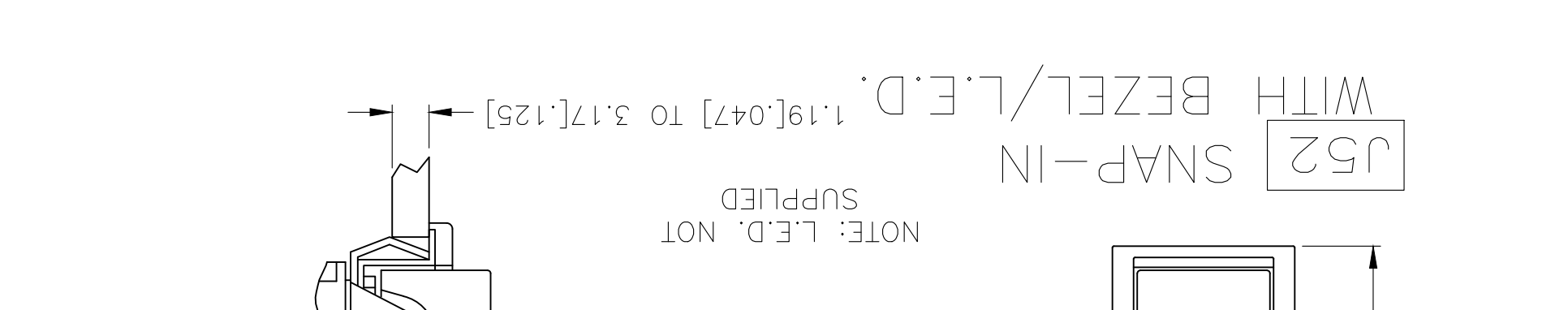
REVISIONS		REVISIONS	
P	DATE	DESCRIPTION	APVD
-	-	-	-
-	-	-	-
-	-	-	-
SEE SHEET 1		SEE SHEET 1	



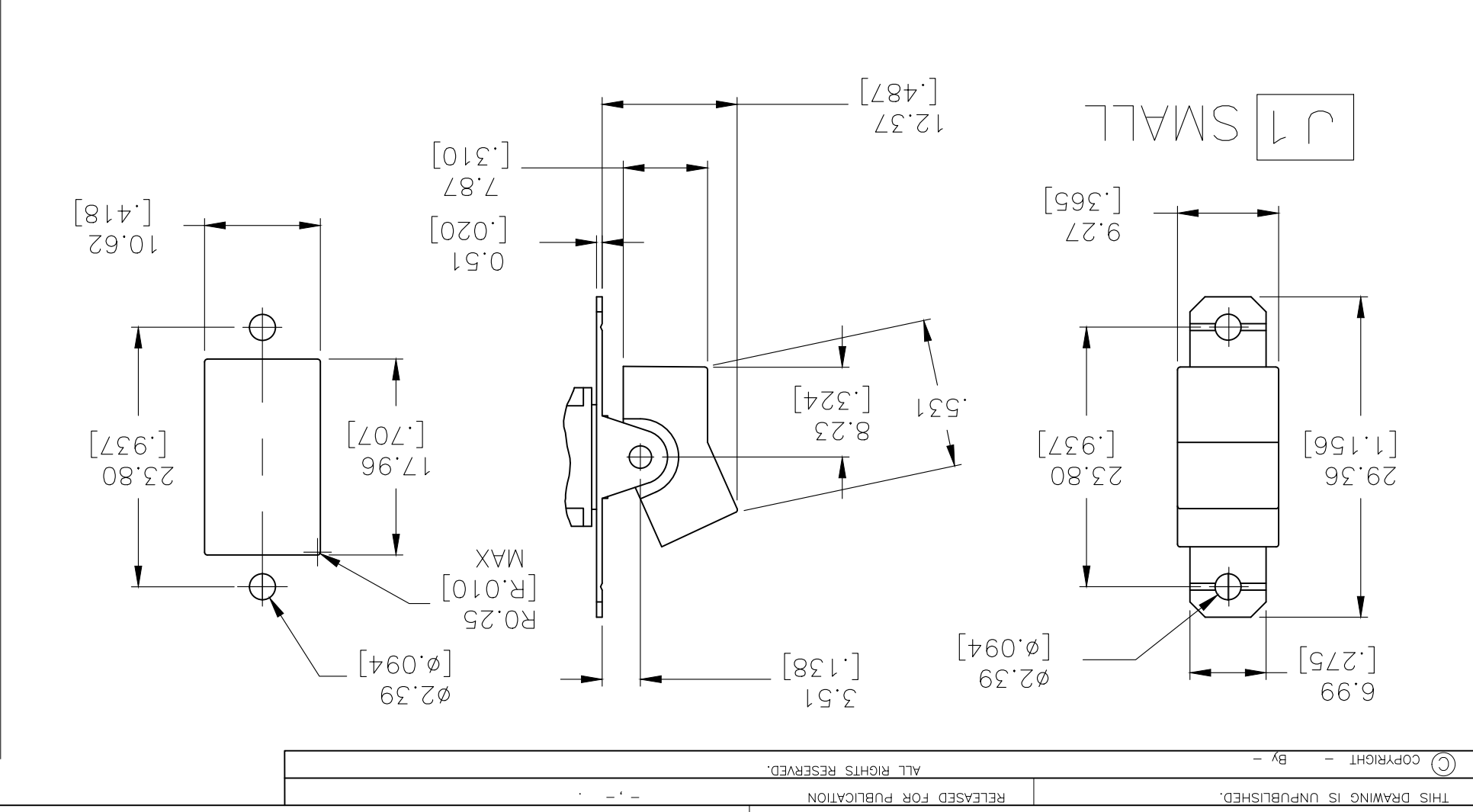
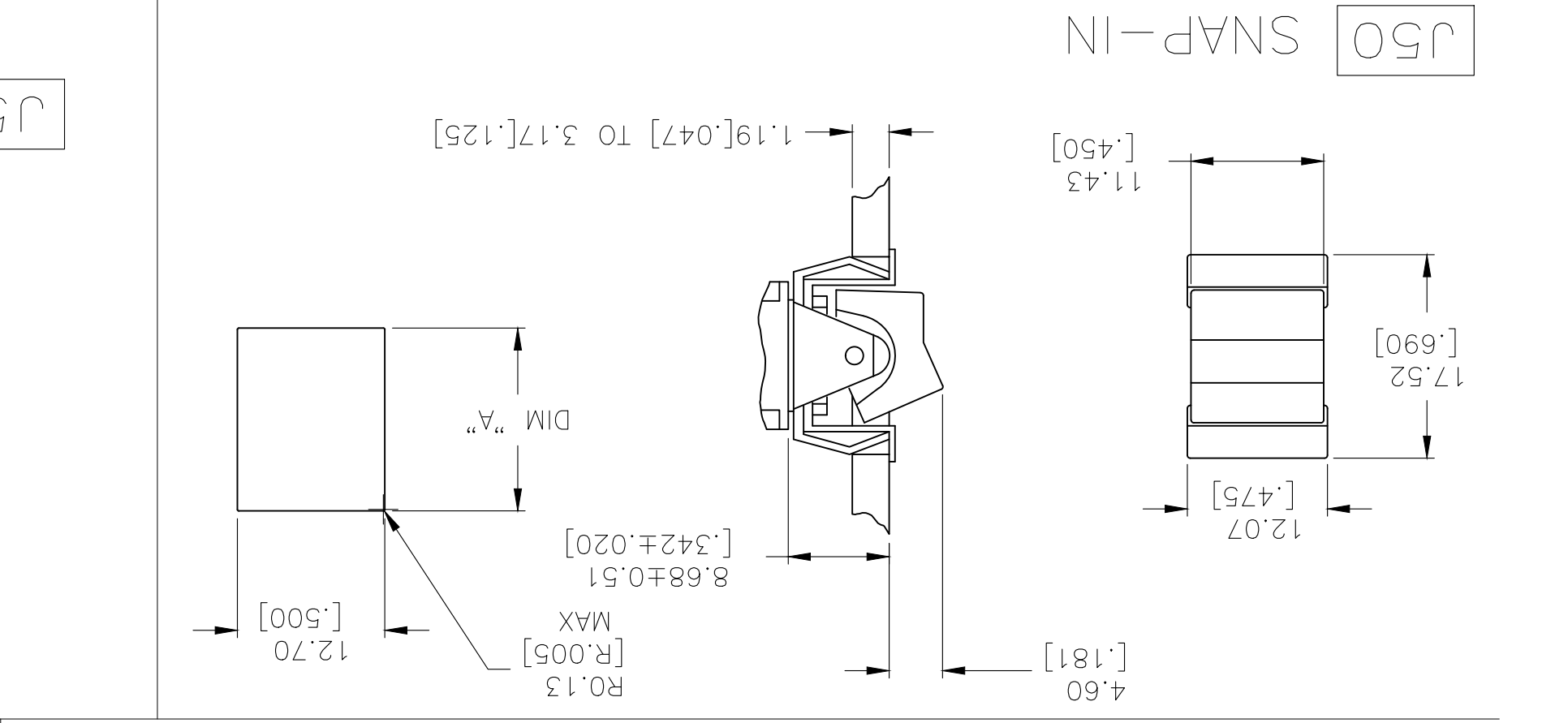
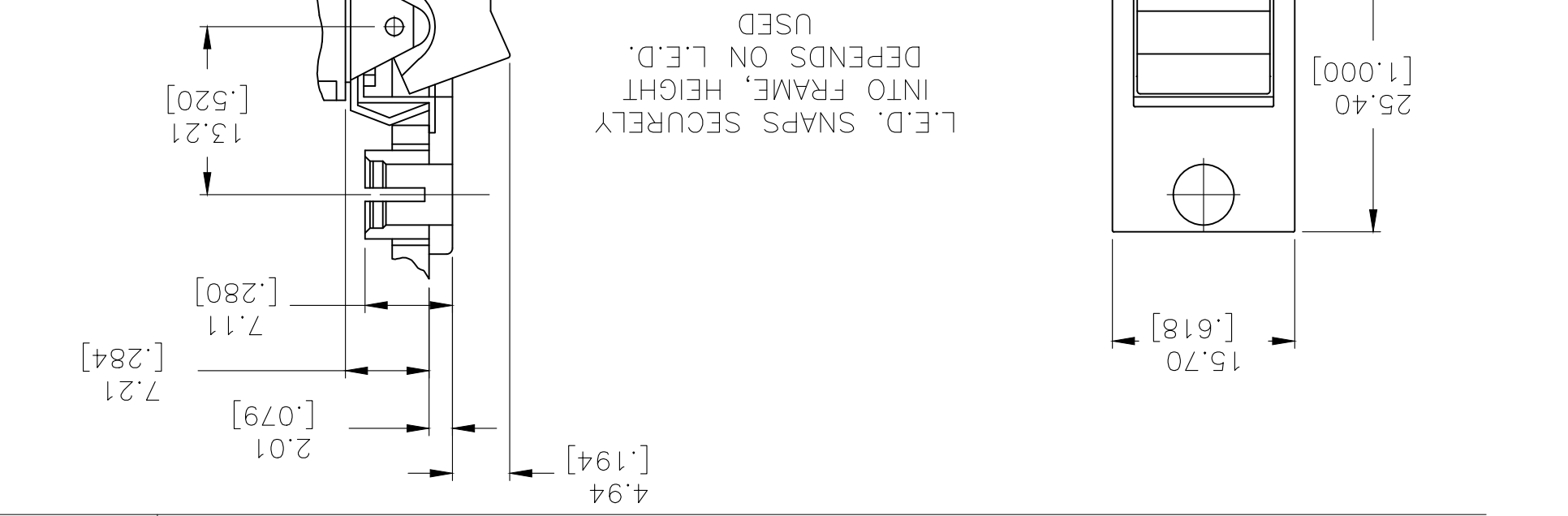
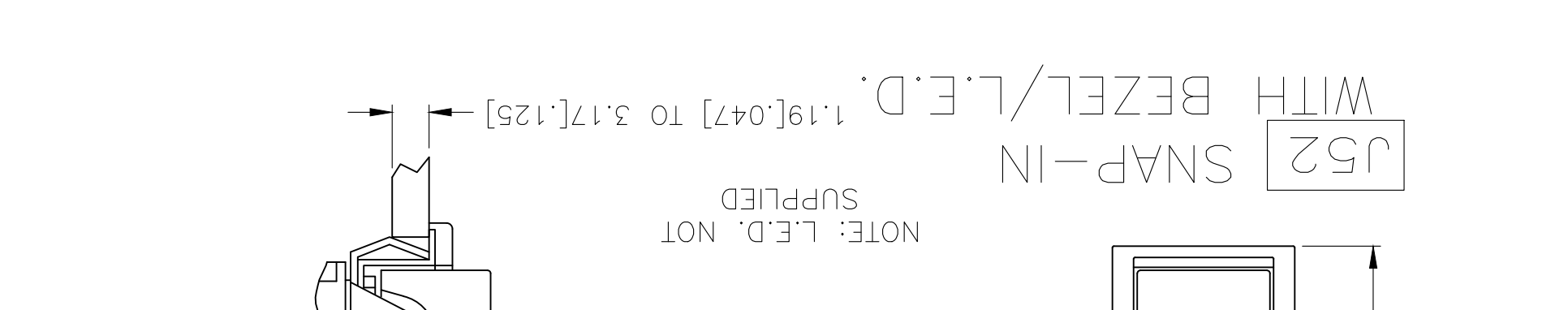
REVISIONS		REVISIONS	
P	DATE	DESCRIPTION	APVD
-	-	-	-
-	-	-	-
-	-	-	-
SEE SHEET 1		SEE SHEET 1	



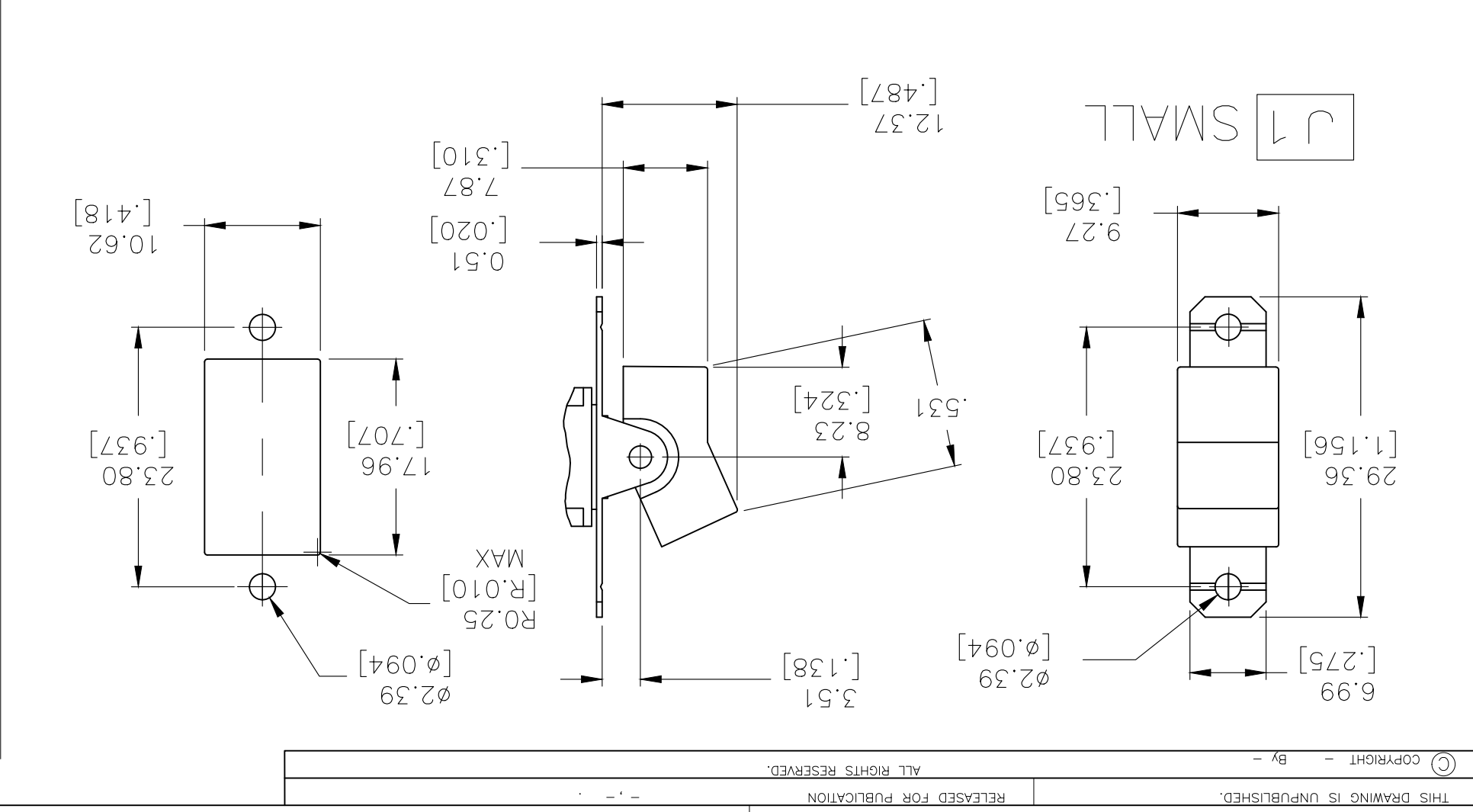
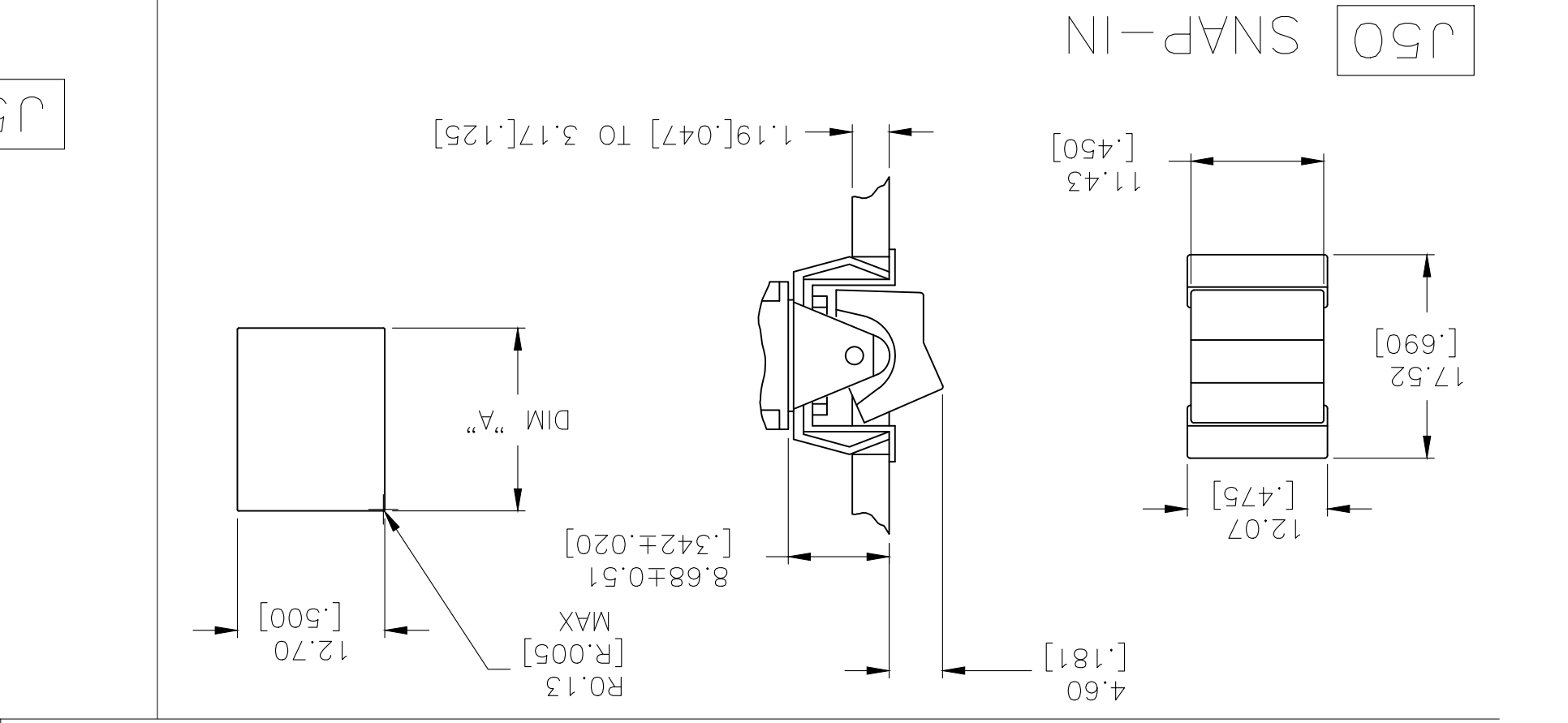
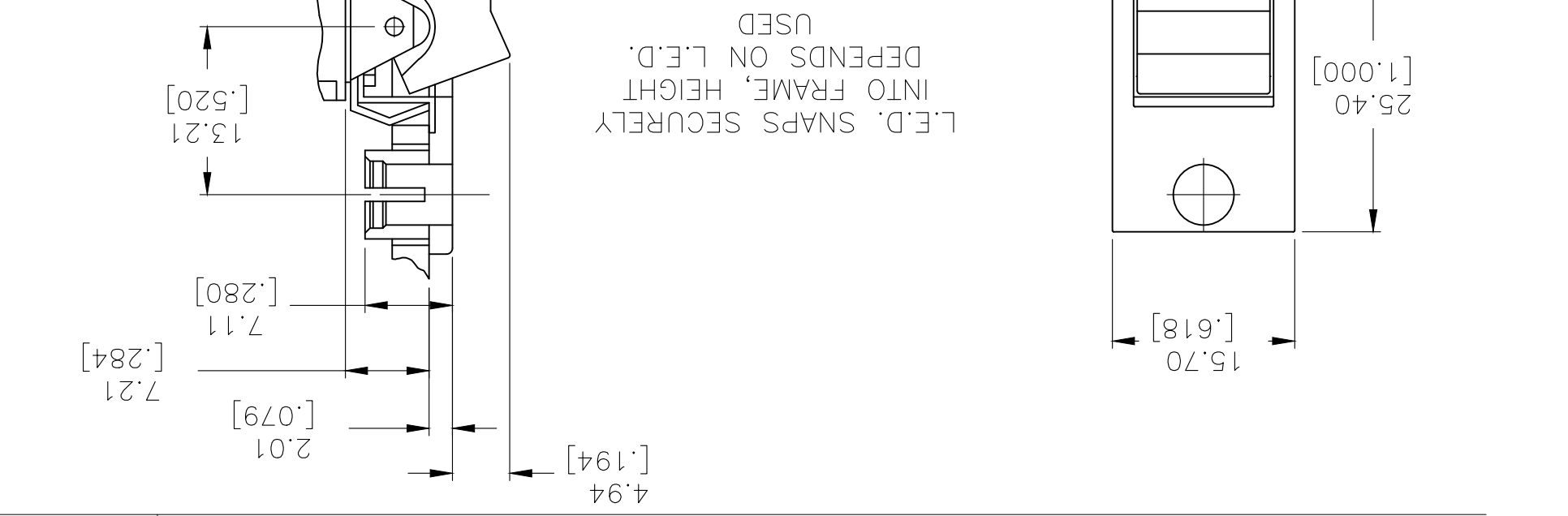
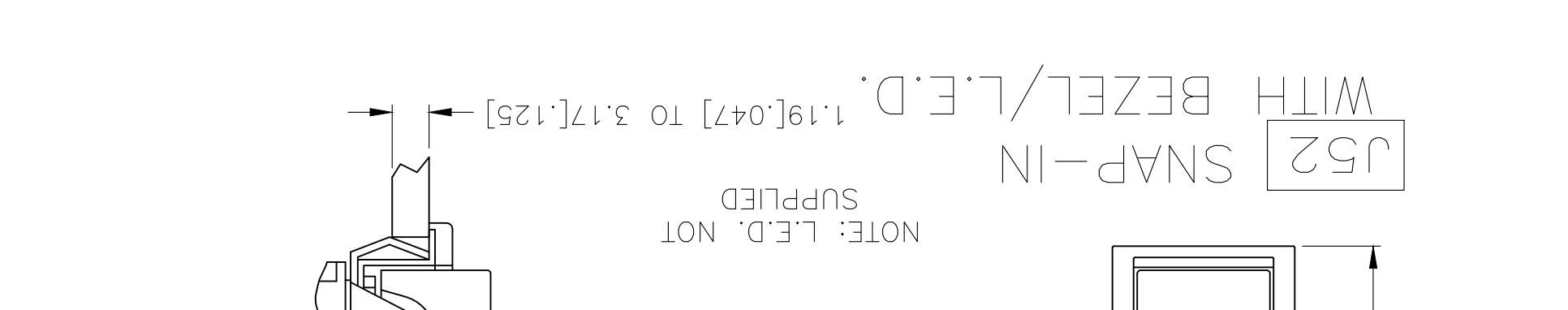
REVISIONS		REVISIONS	
P	DATE	DESCRIPTION	APVD
-	-	-	-
-	-	-	-
-	-	-	-
SEE SHEET 1		SEE SHEET 1	



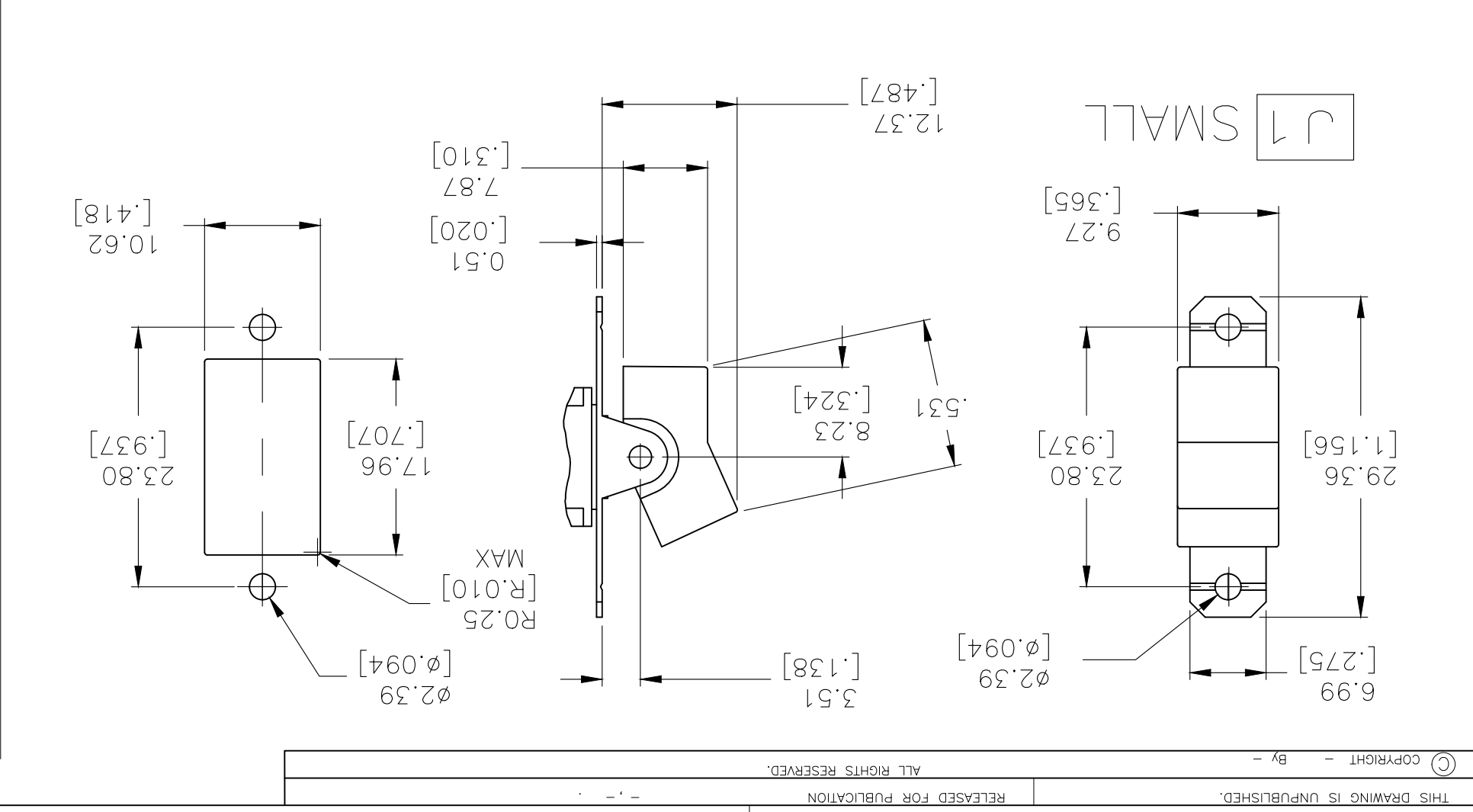
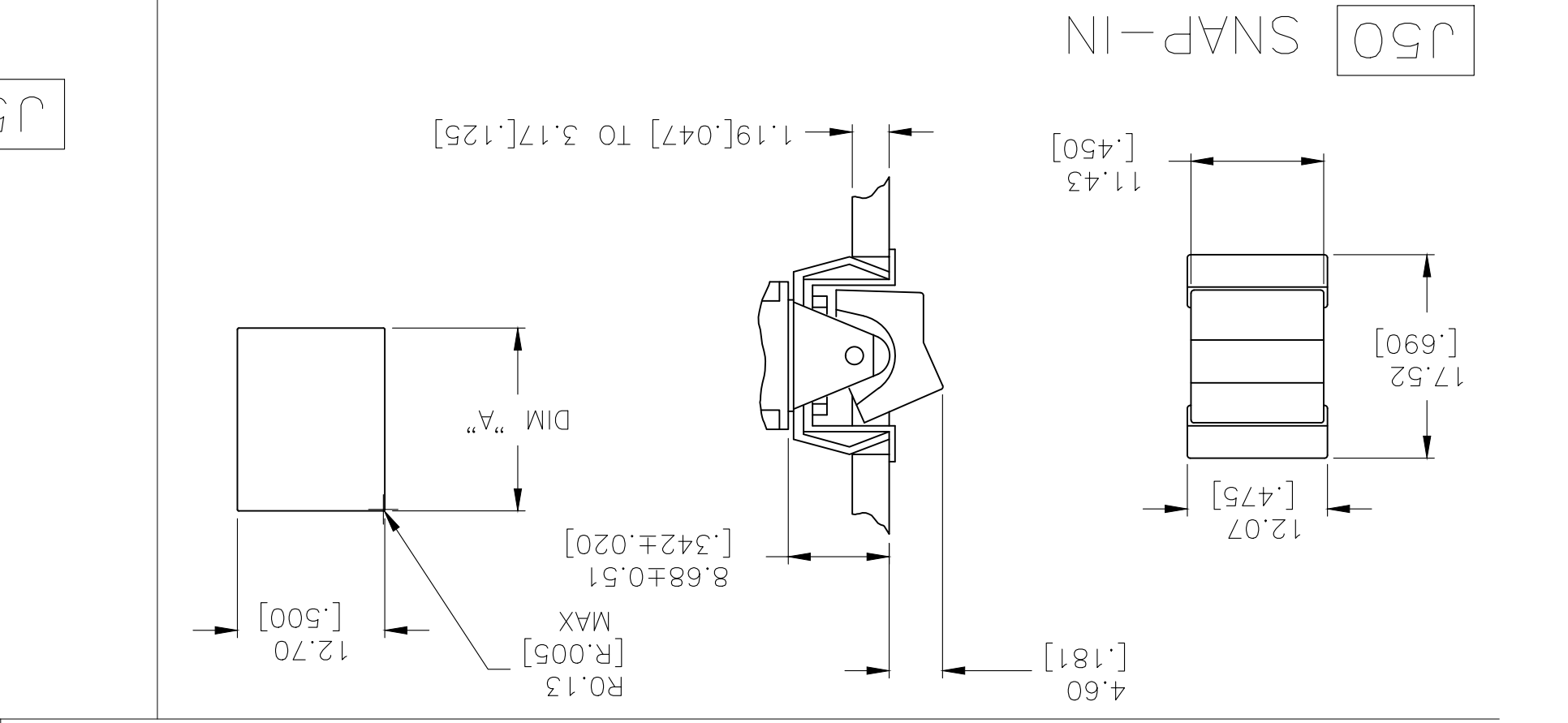
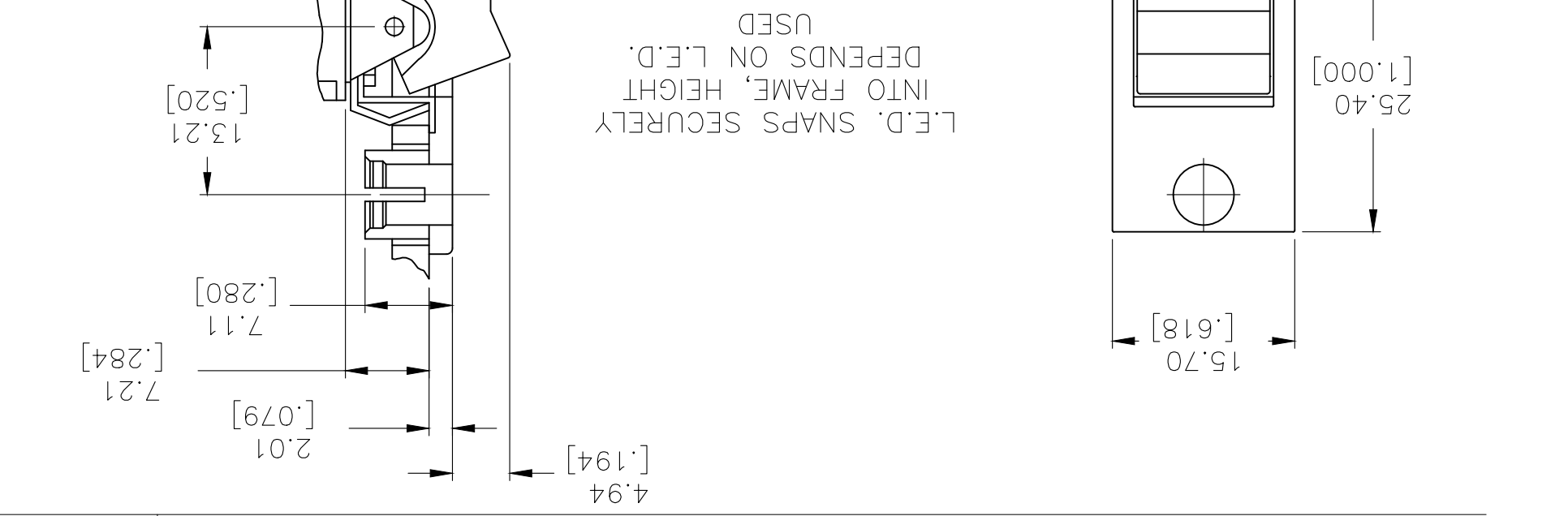
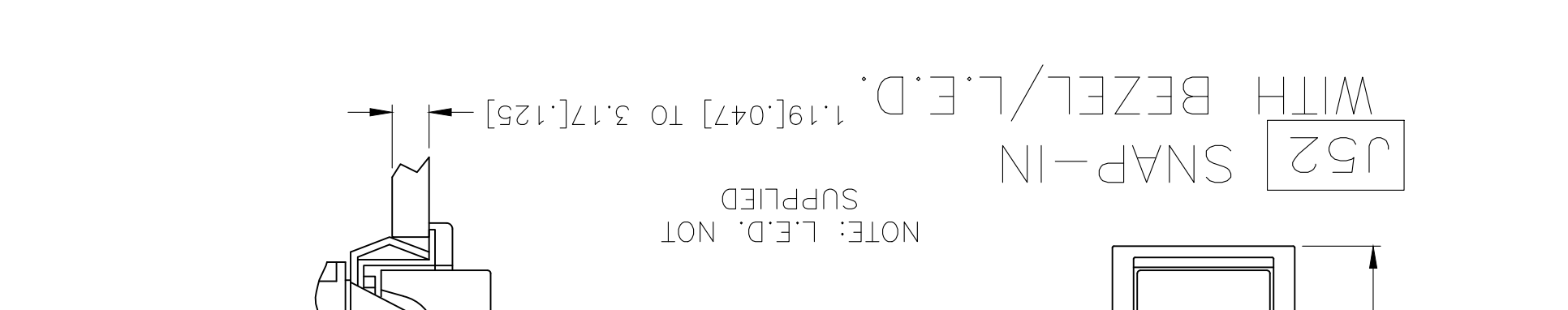
REVISIONS		REVISIONS	
P	DATE	DESCRIPTION	APVD
-	-	-	-
-	-	-	-
-	-	-	-
SEE SHEET 1		SEE SHEET 1	



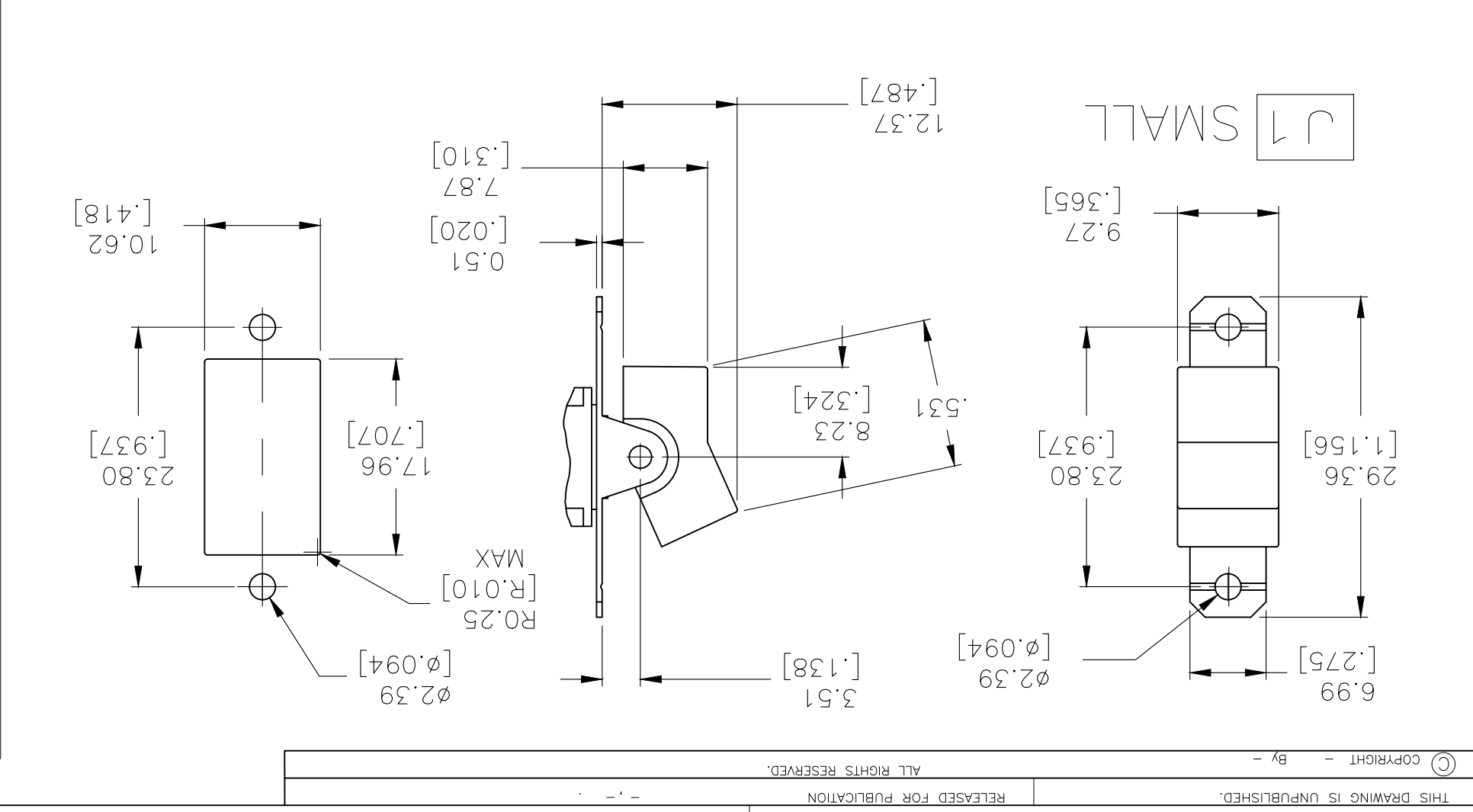
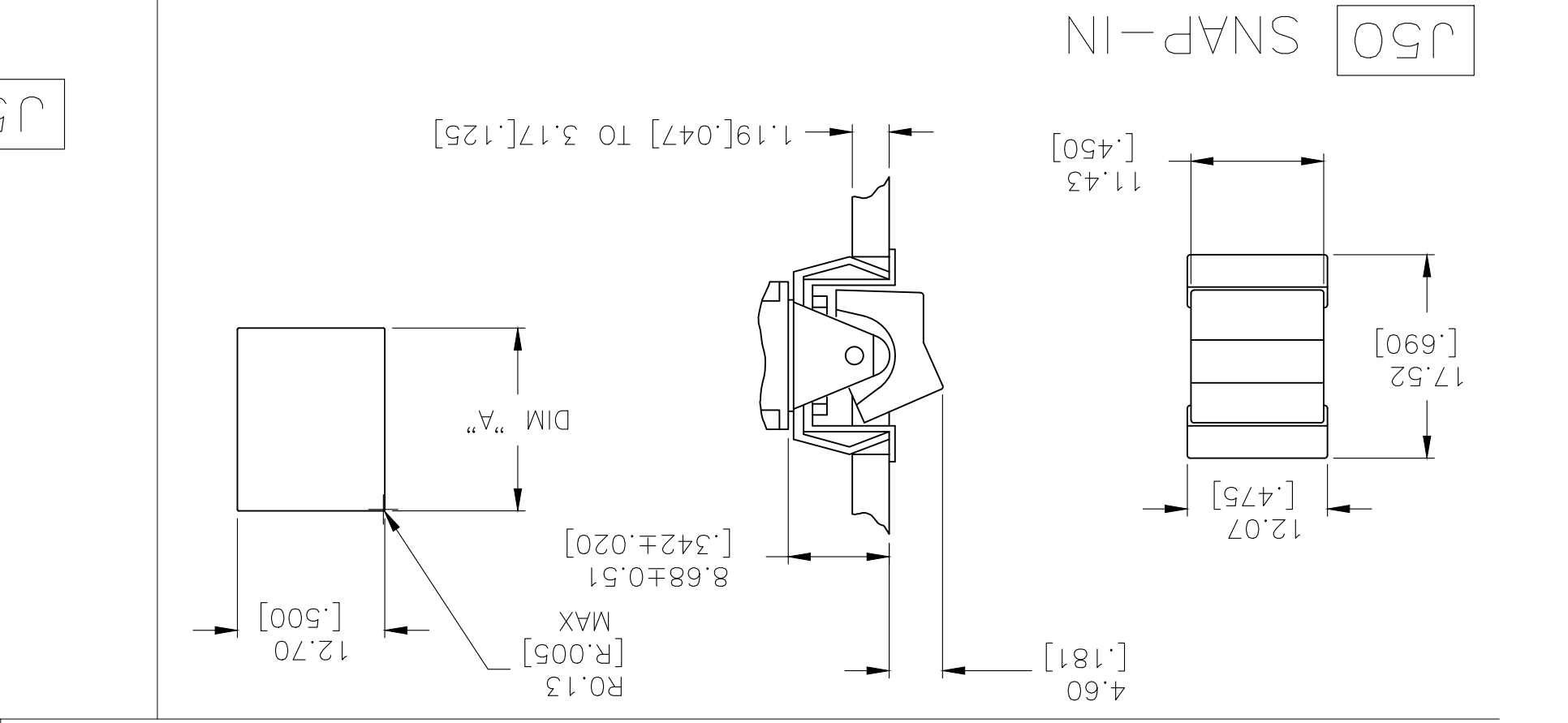
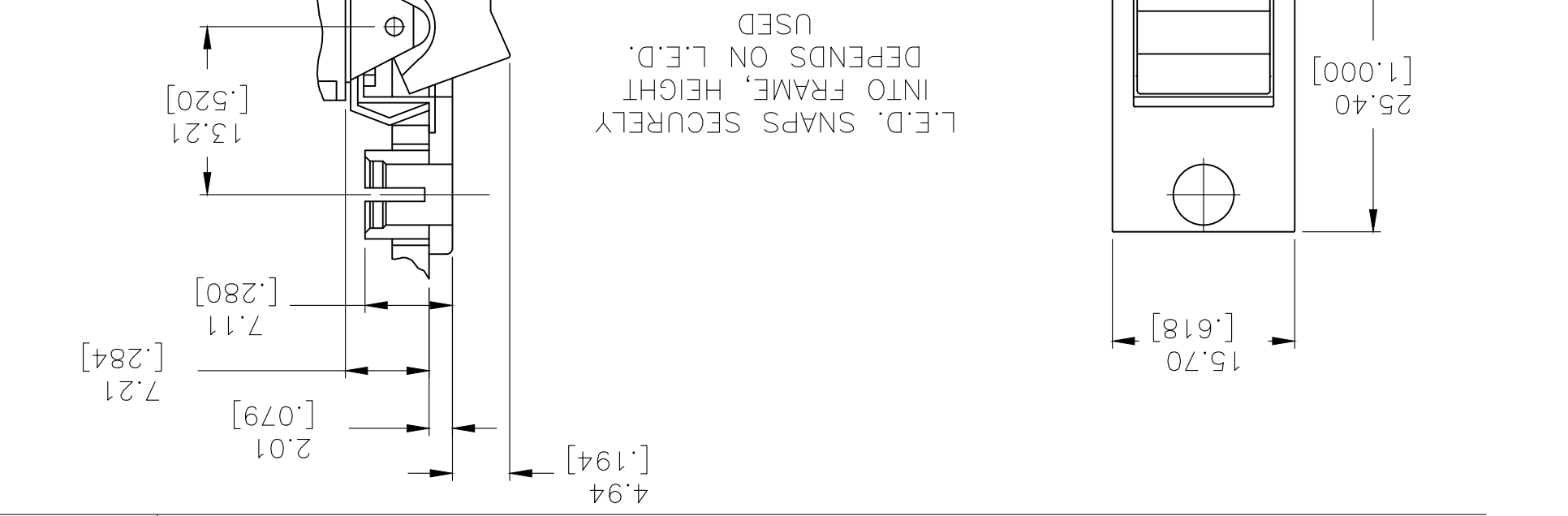
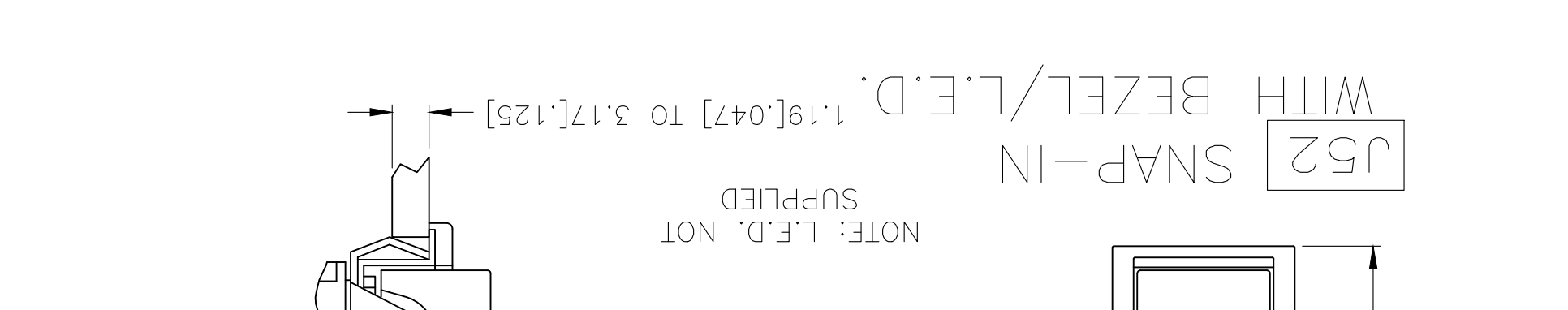
REVISIONS		REVISIONS	
P	DATE	DESCRIPTION	APVD
-	-	-	-
-	-	-	-
-	-	-	-
SEE SHEET 1		SEE SHEET 1	



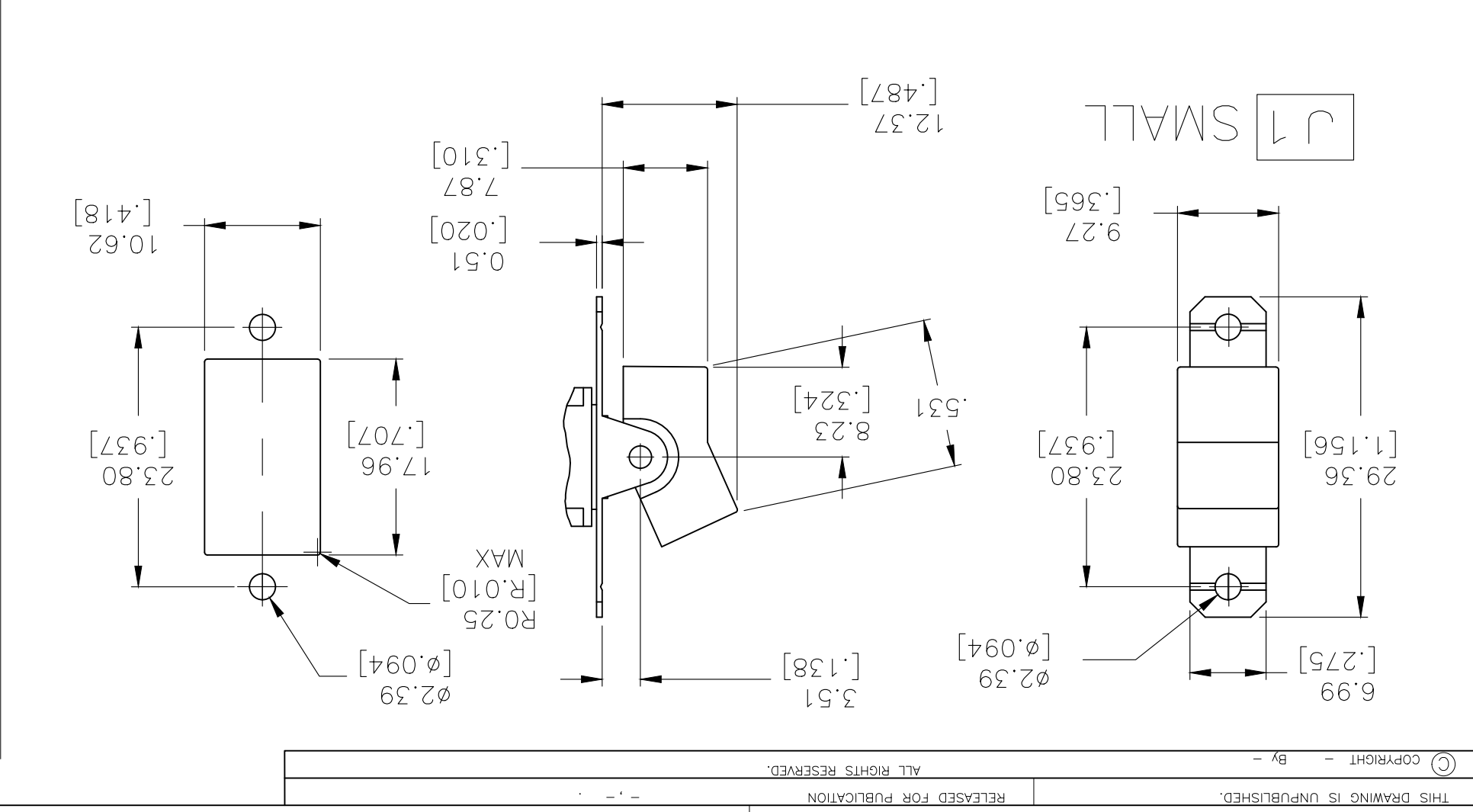
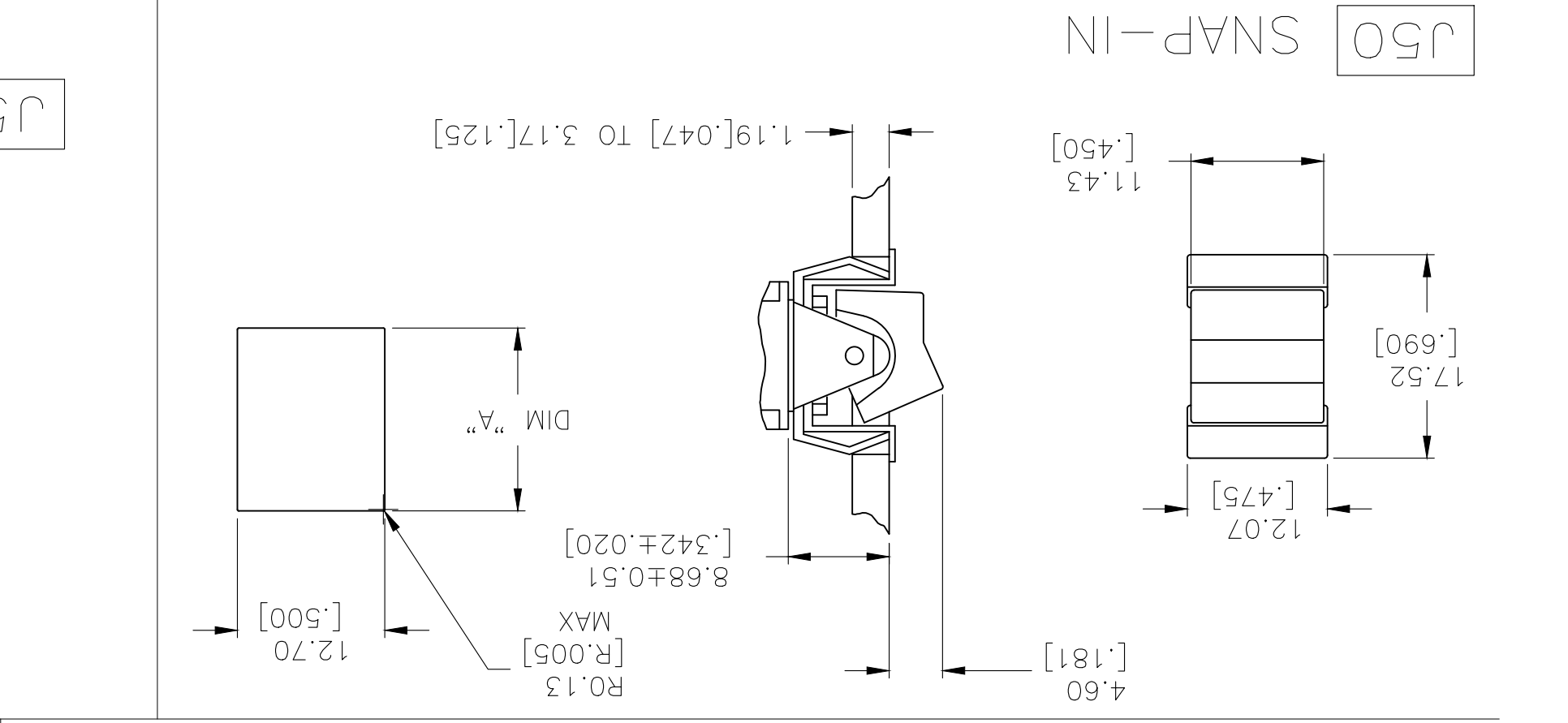
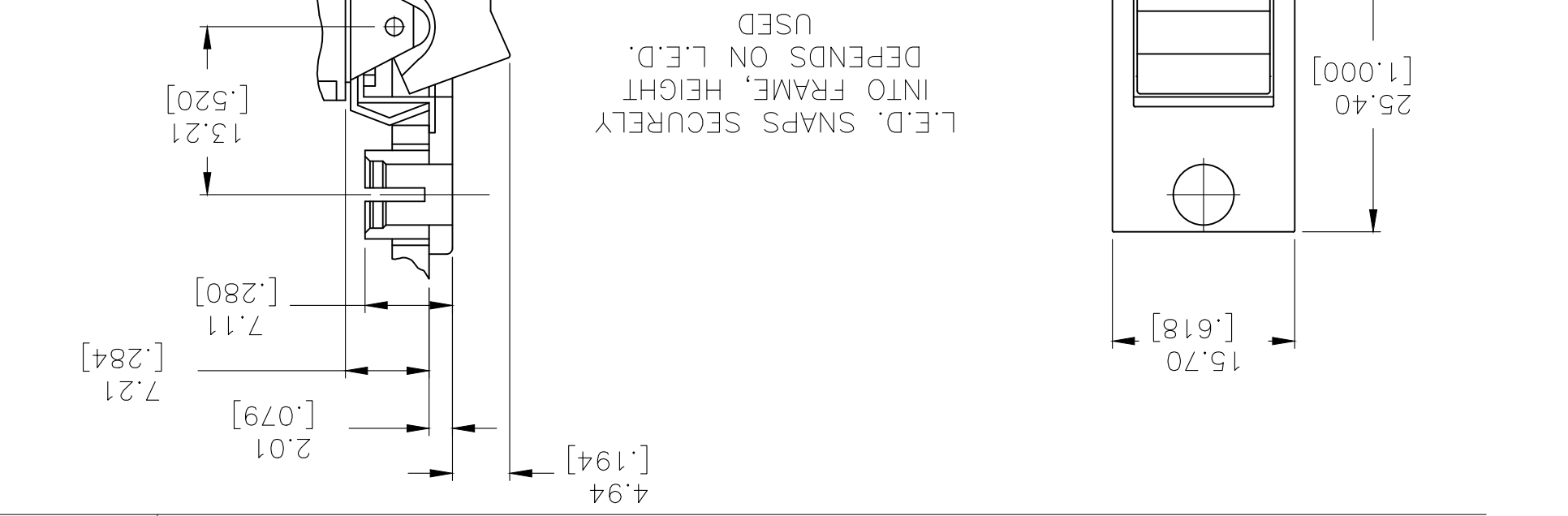
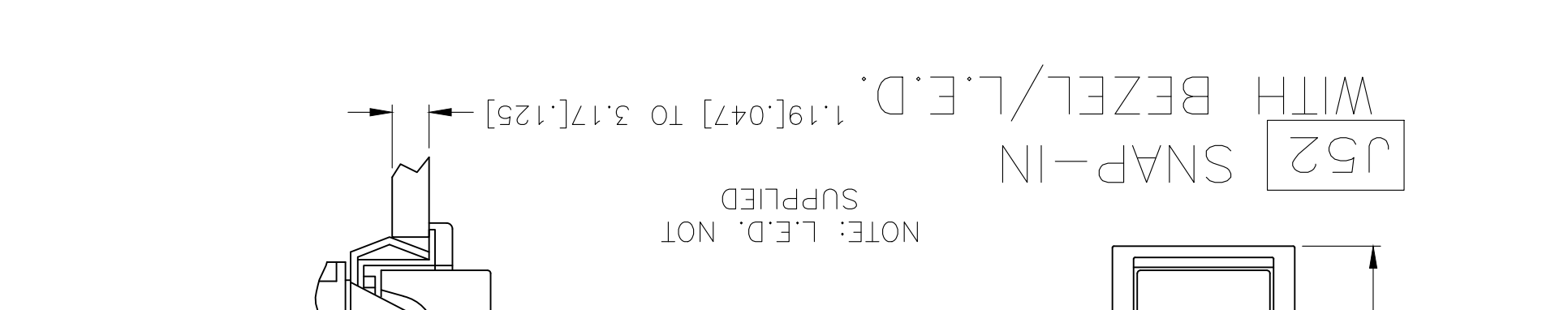
REVISIONS		REVISIONS	
P	DATE	DESCRIPTION	APVD
-	-	-	-
-	-	-	-
-	-	-	-
SEE SHEET 1		SEE SHEET 1	



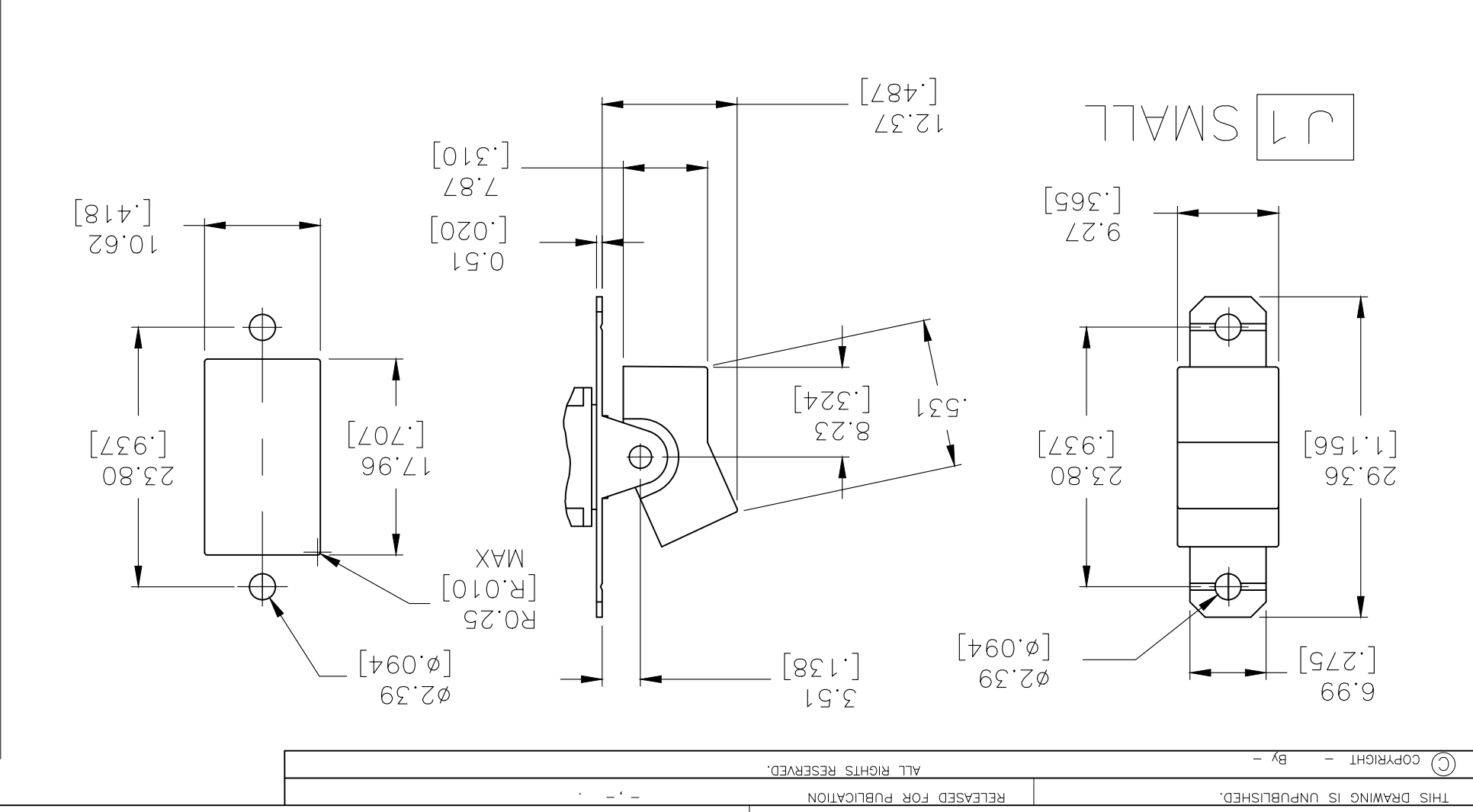
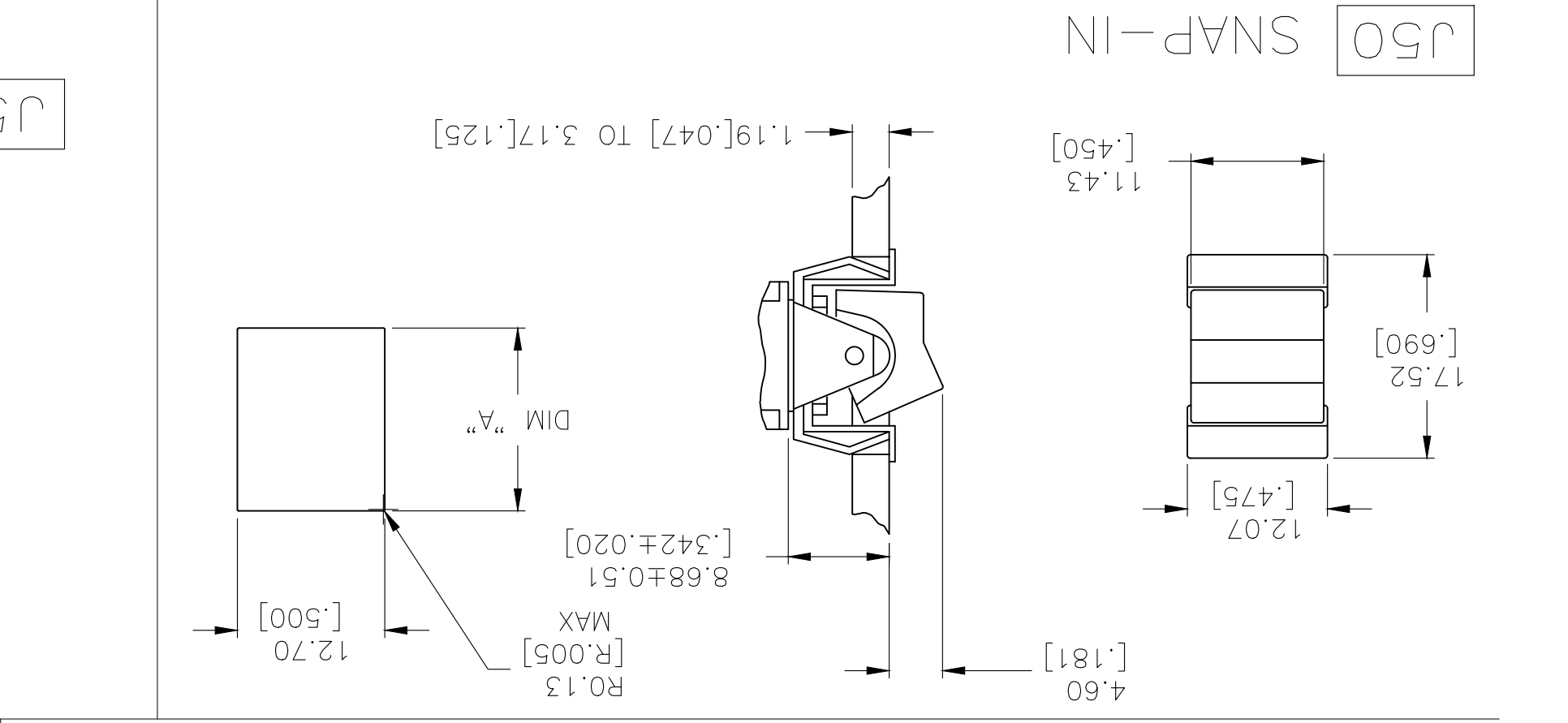
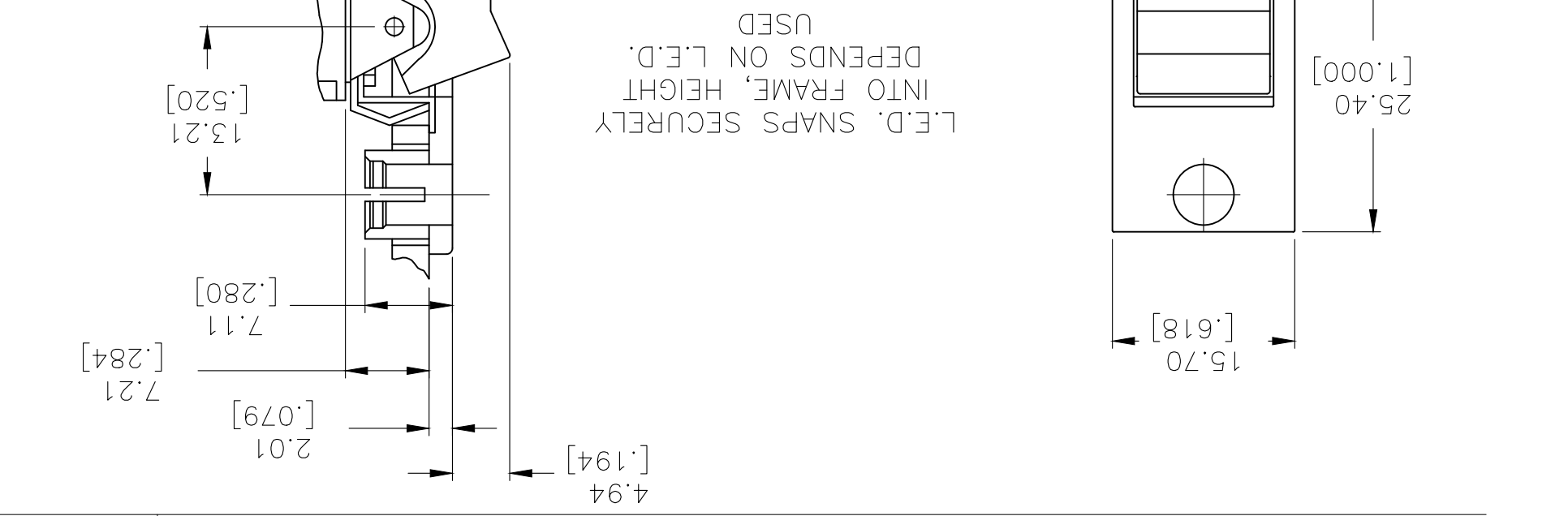
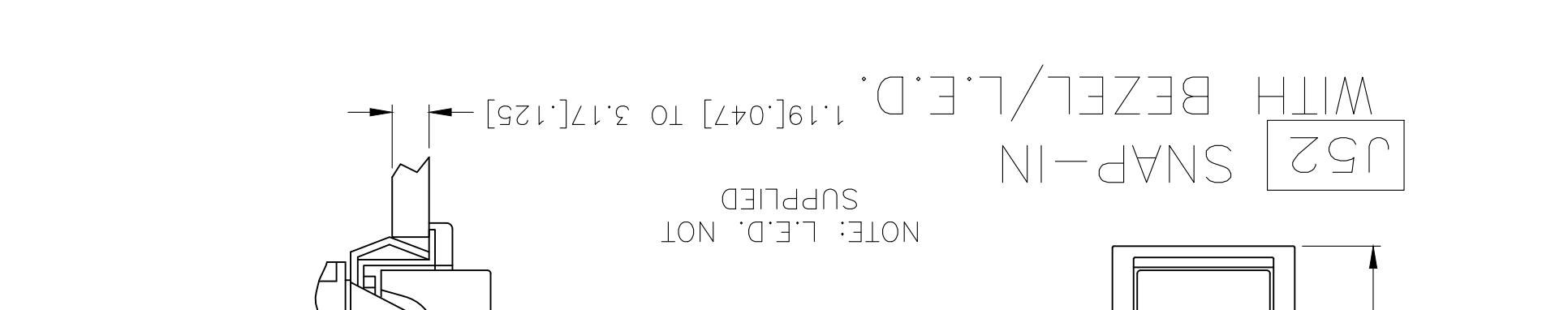
REVISIONS		REVISIONS	
P	DATE	DESCRIPTION	APVD
-	-	-	-
-	-	-	-
-	-	-	-
SEE SHEET 1		SEE SHEET 1	



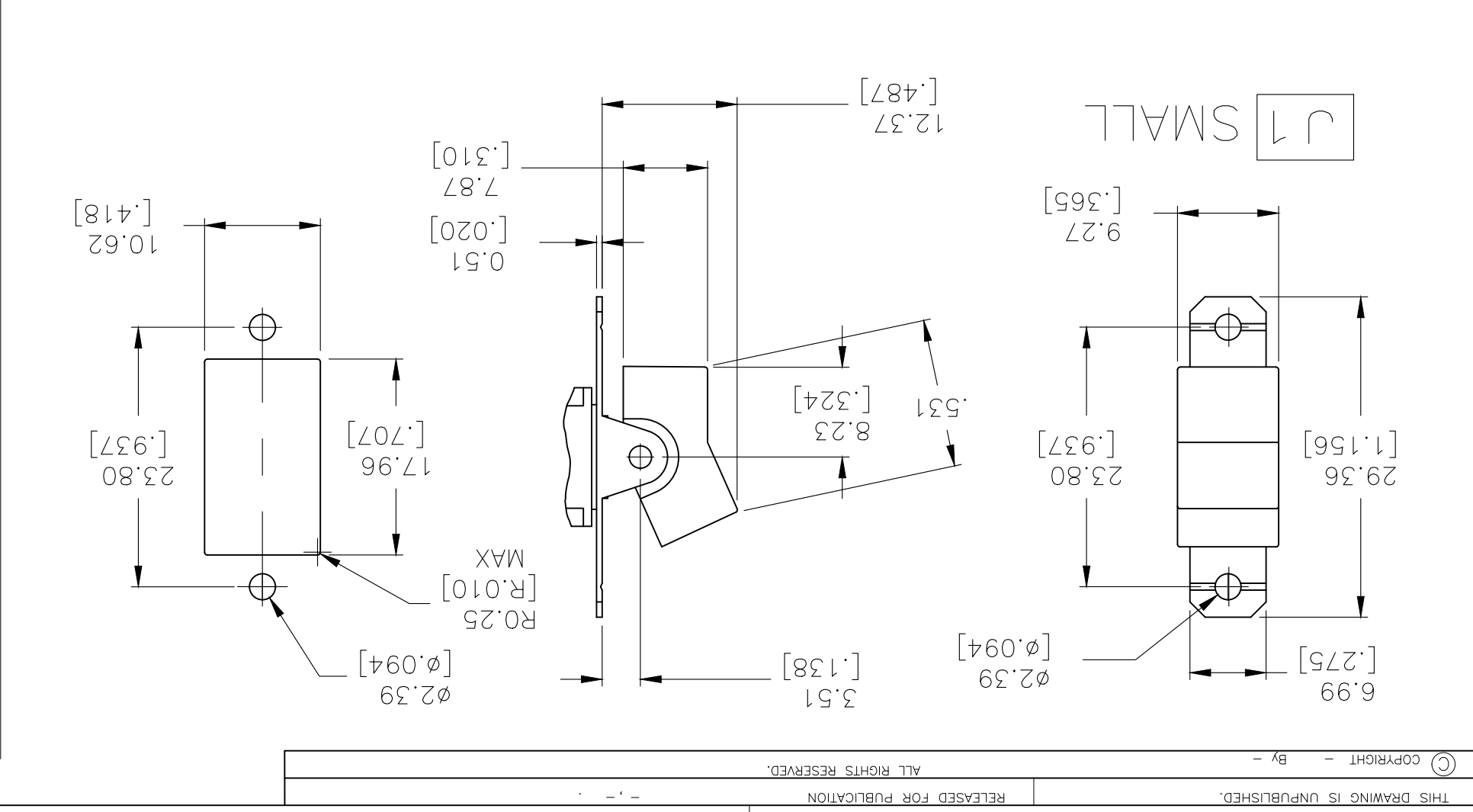
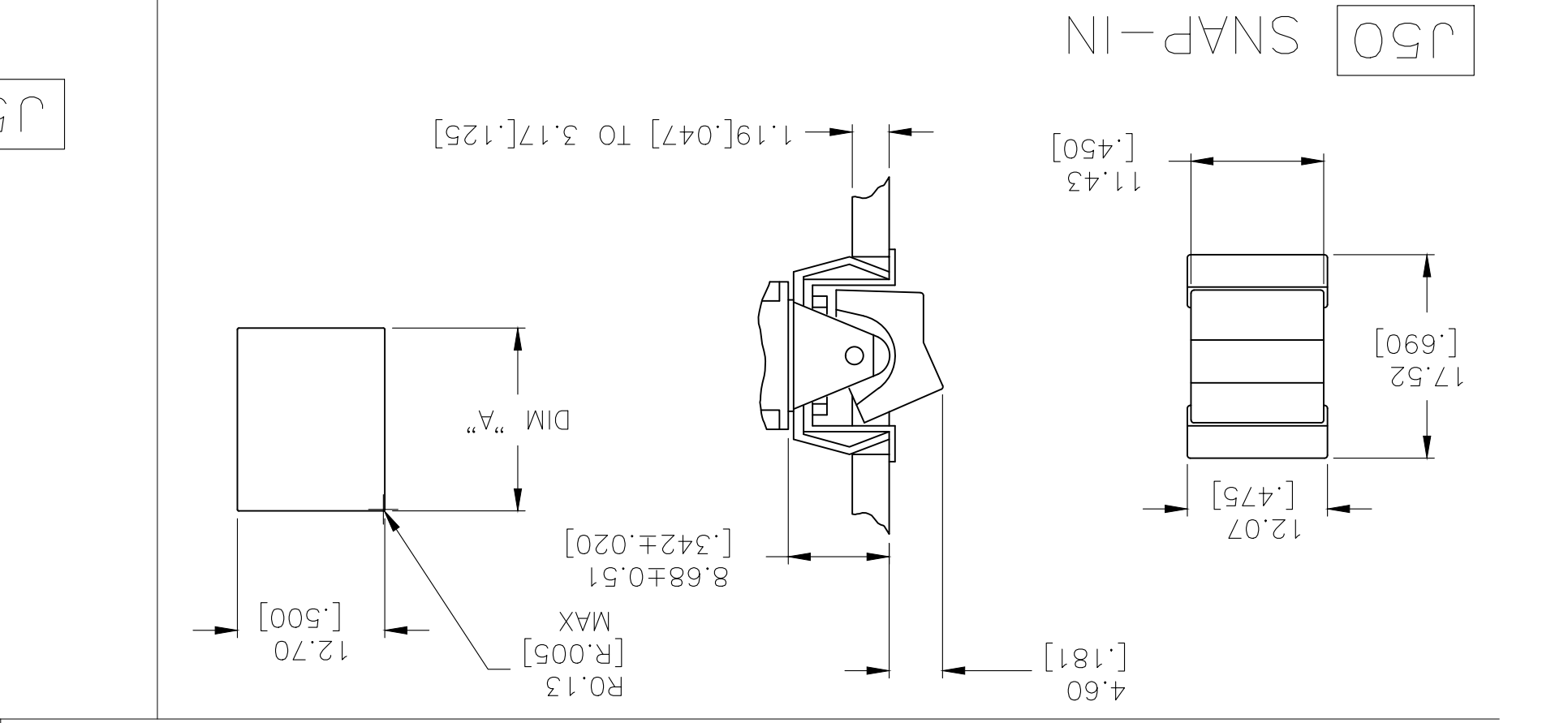
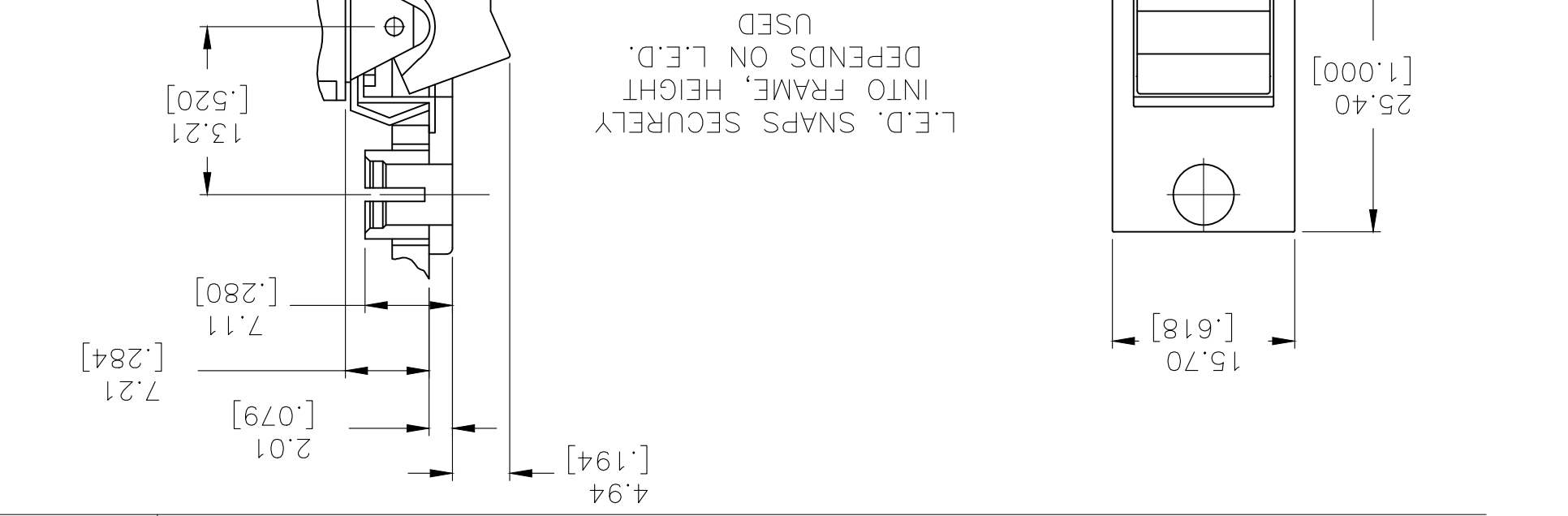
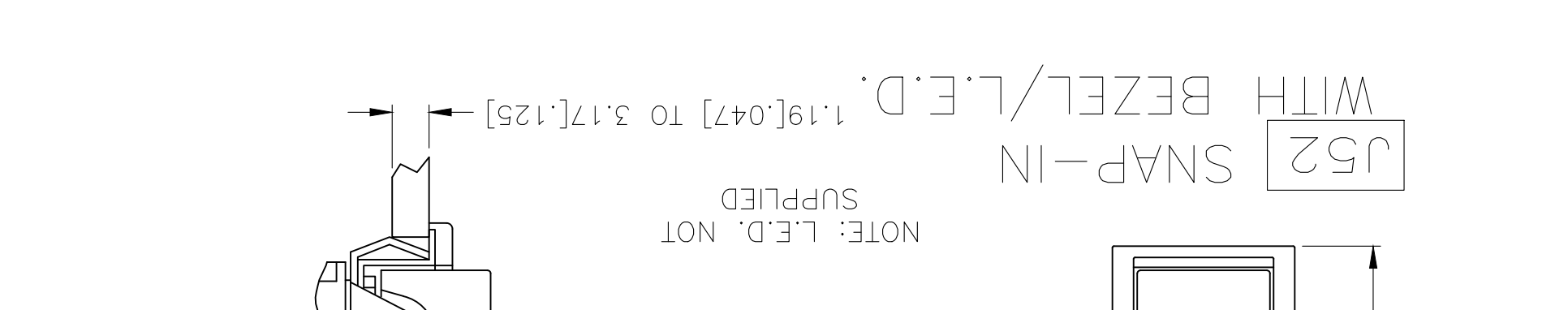
REVISIONS		REVISIONS	
P	DATE	DESCRIPTION	APVD
-	-	-	-
-	-	-	-
-	-	-	-
SEE SHEET 1		SEE SHEET 1	



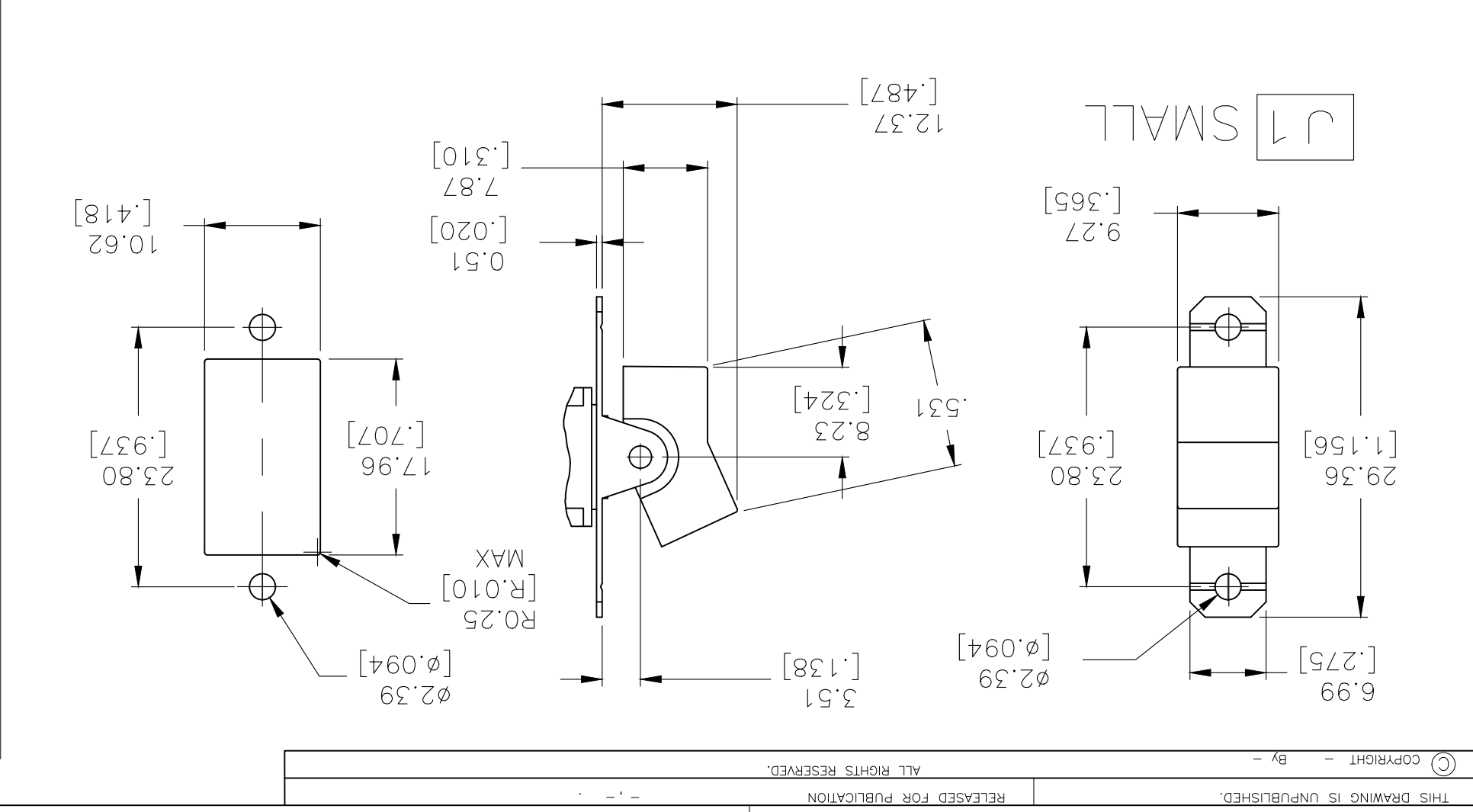
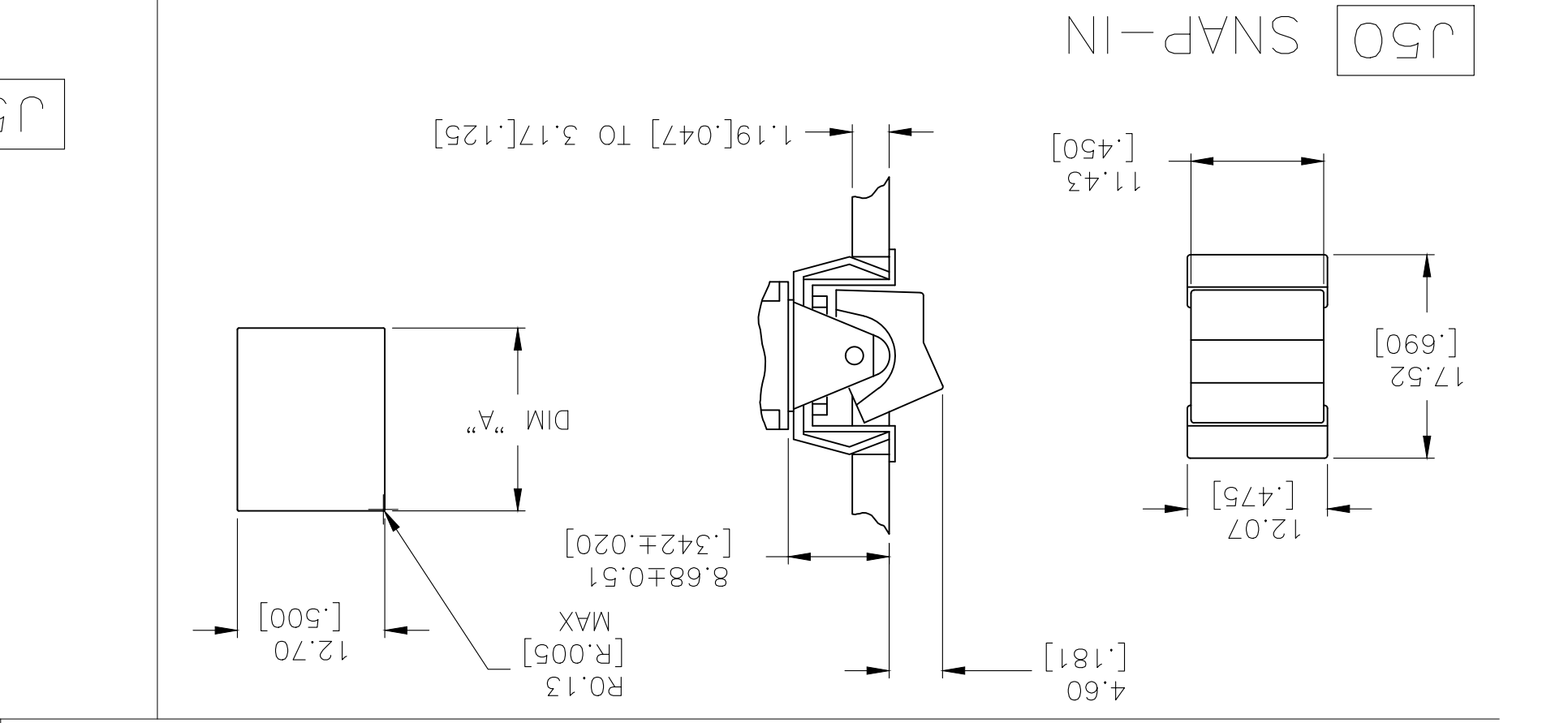
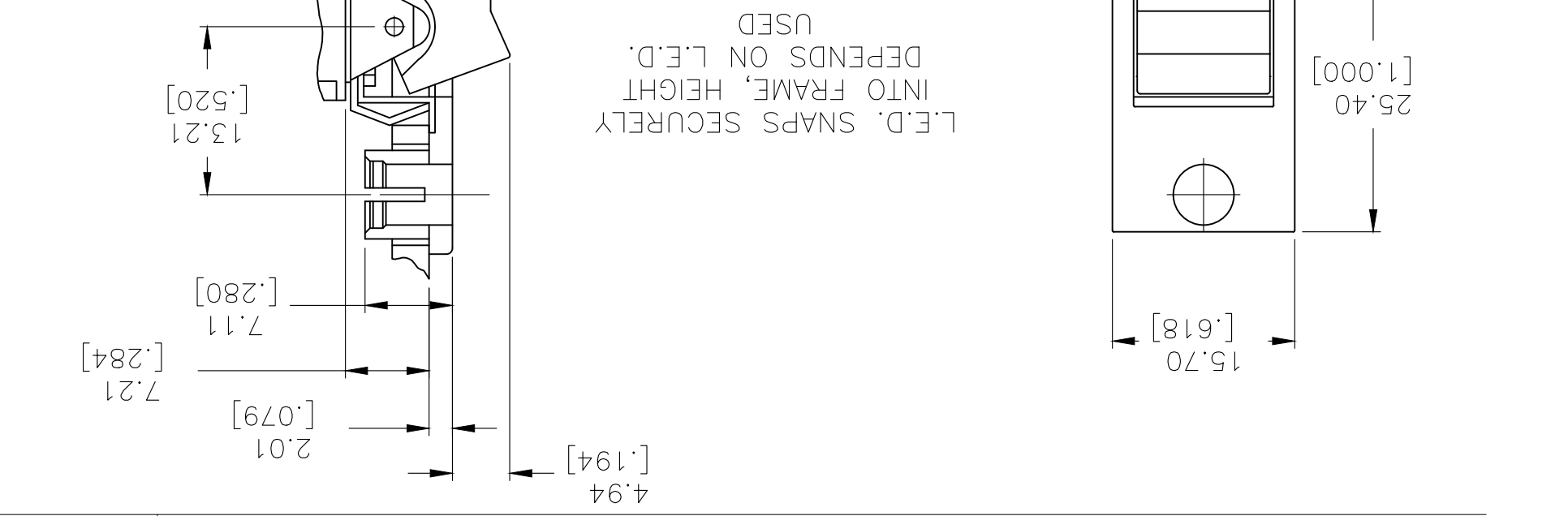
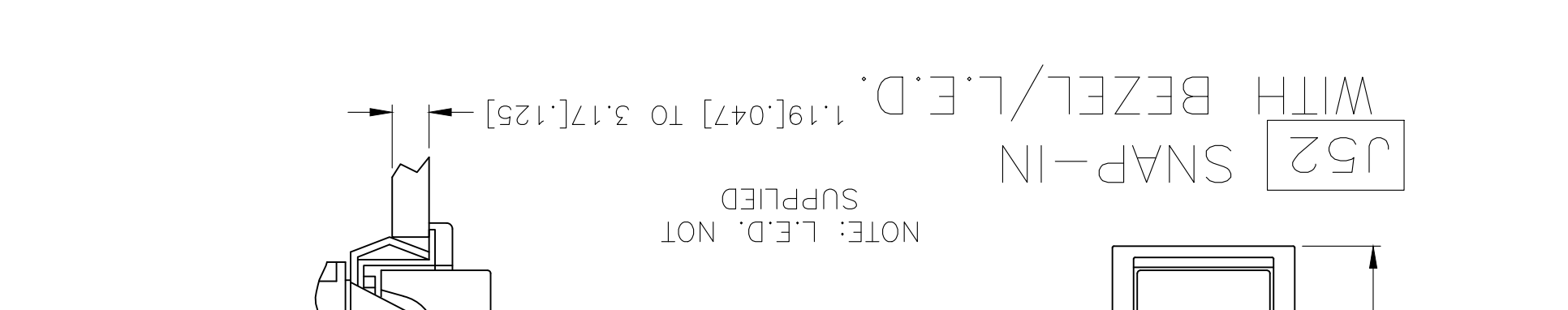
REVISIONS		REVISIONS	
P	DATE	DESCRIPTION	APVD
-	-	-	-
-	-	-	-
-	-	-	-
SEE SHEET 1		SEE SHEET 1	



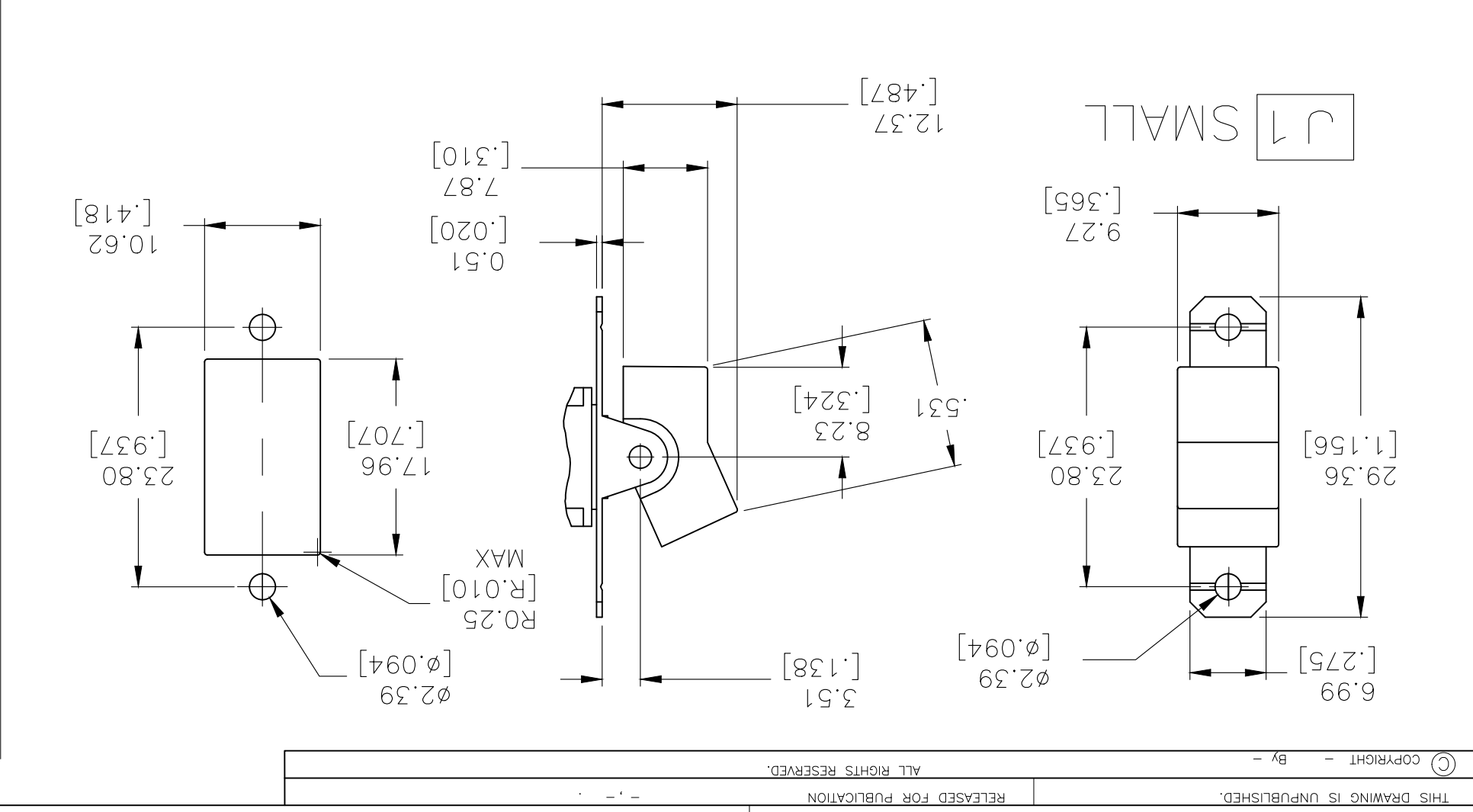
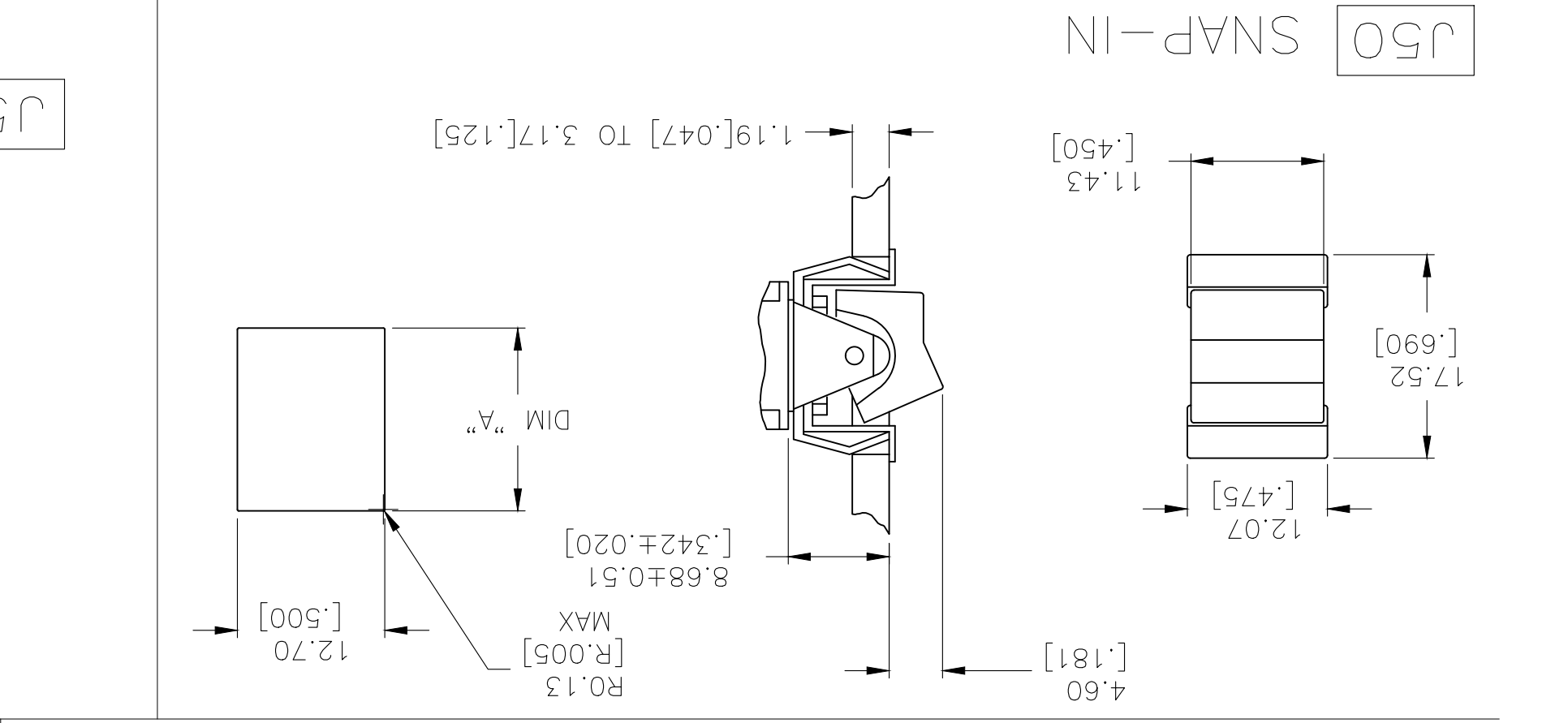
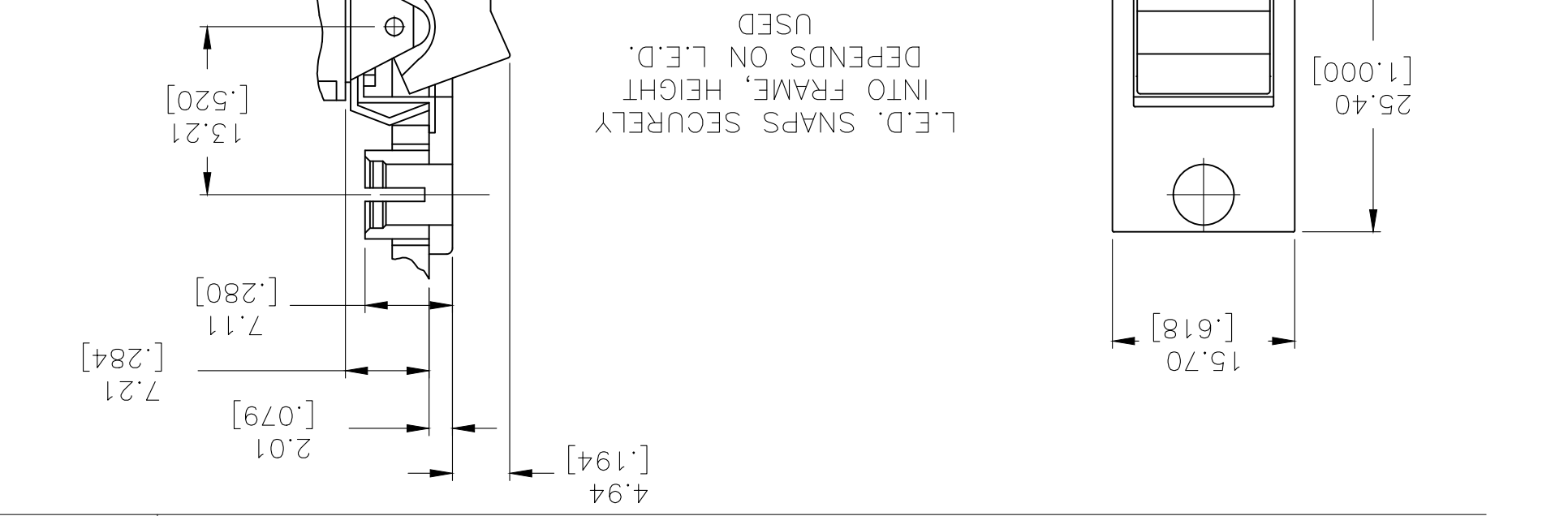
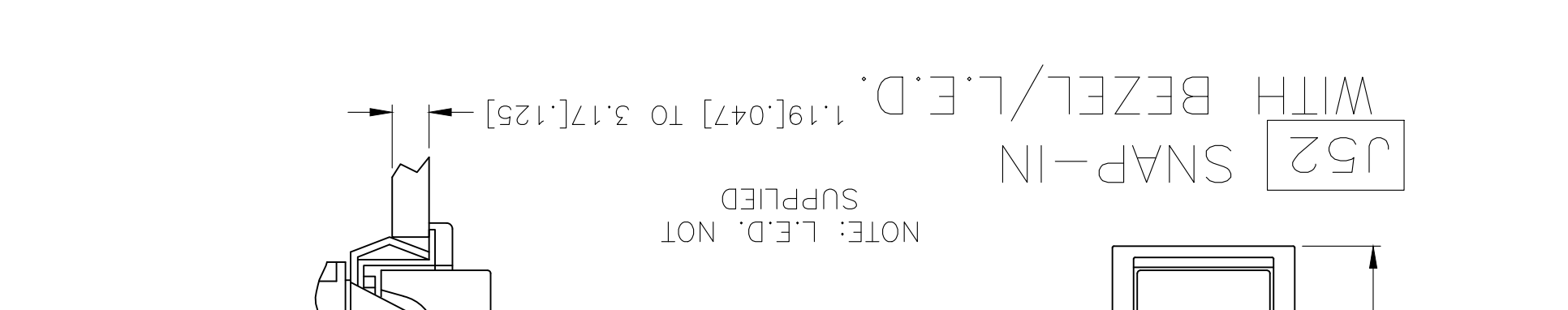
REVISIONS		REVISIONS	
P	DATE	DESCRIPTION	APVD
-	-	-	-
-	-	-	-
-	-	-	-
SEE SHEET 1		SEE SHEET 1	



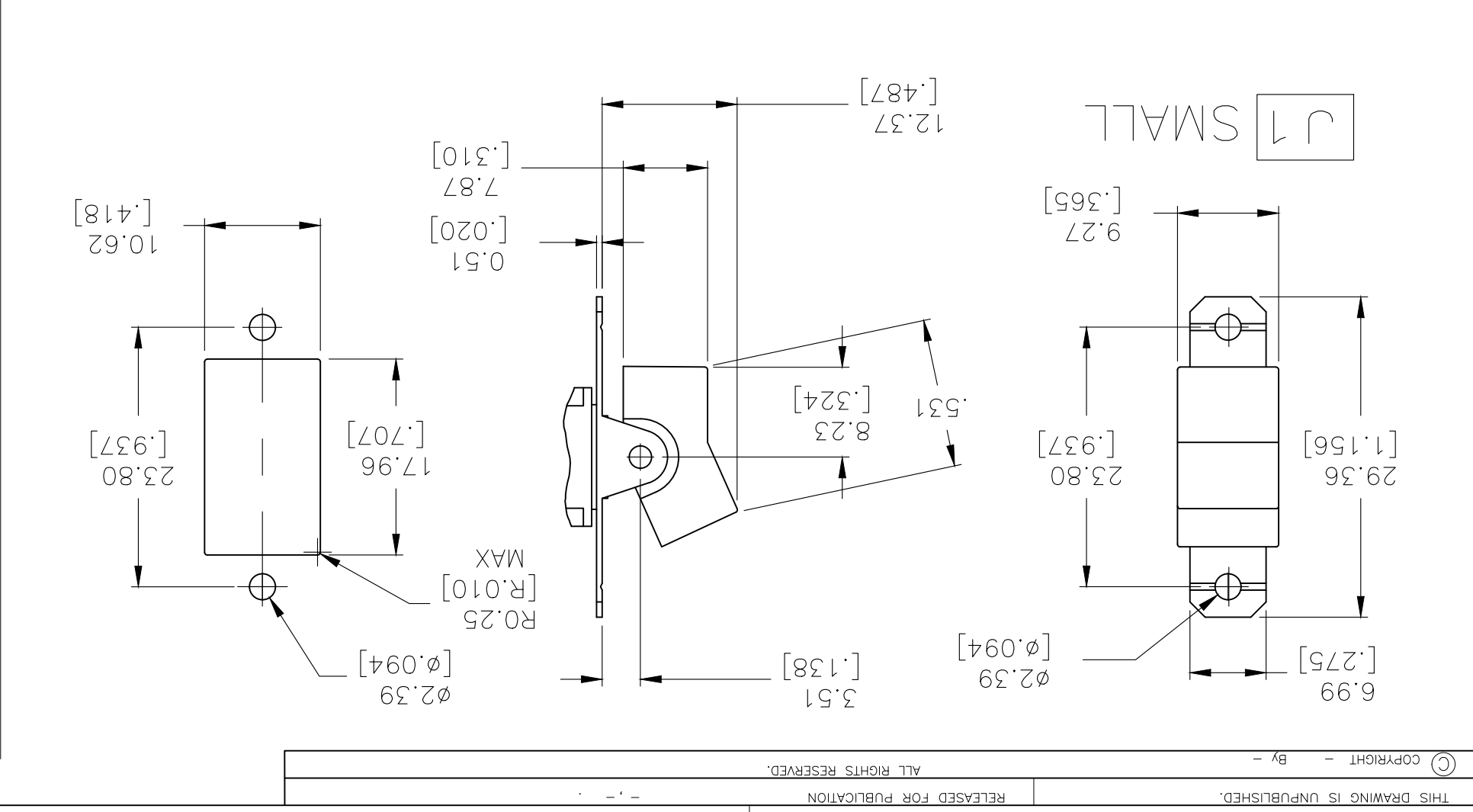
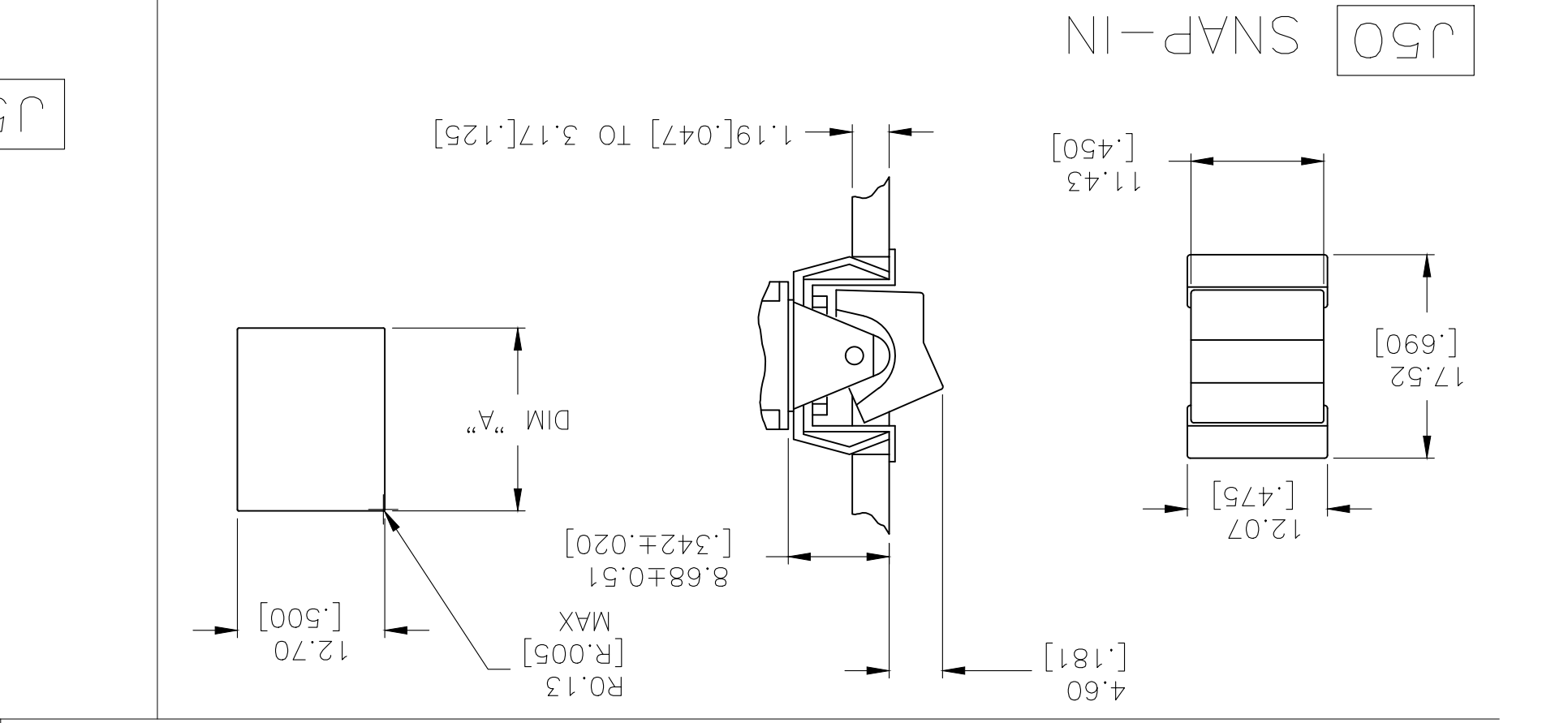
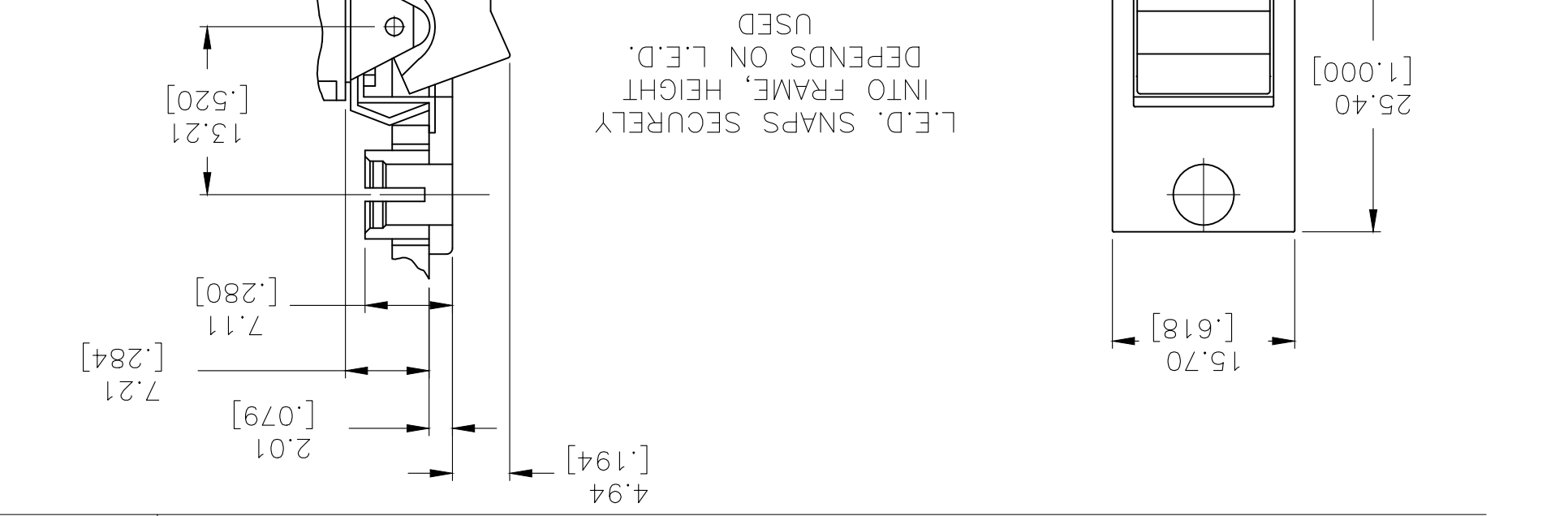
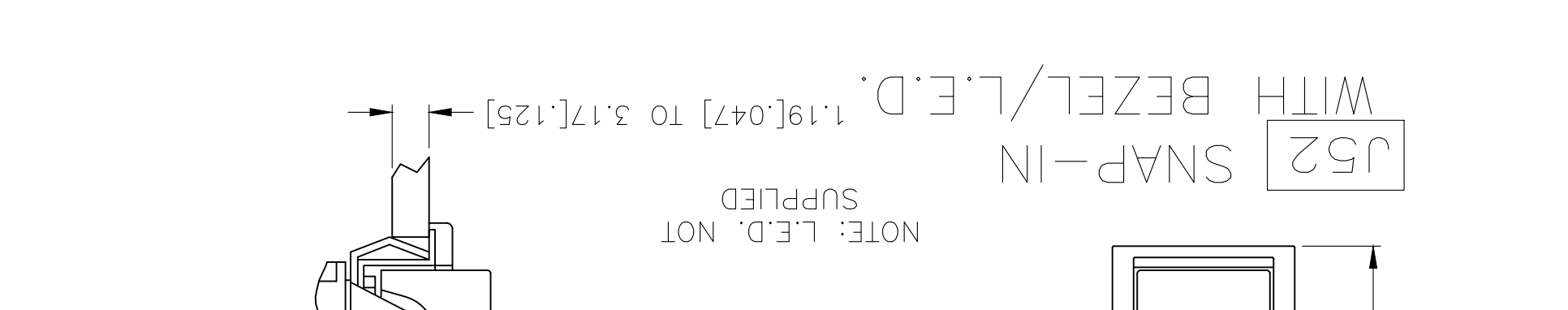
REVISIONS		REVISIONS	
P	DATE	DESCRIPTION	APVD
-	-	-	-
-	-	-	-
-	-	-	-
SEE SHEET 1		SEE SHEET 1	



REVISIONS		REVISIONS	
P	DATE	DESCRIPTION	APVD
-	-	-	-
-	-	-	-
-	-	-	-
SEE SHEET 1		SEE SHEET 1	



REVISIONS		REVISIONS	
P	DATE	DESCRIPTION	APVD
-	-	-	-
-	-	-	-
-	-	-	-
SEE SHEET 1		SEE SHEET 1	



||
||
||

X-ON Electronics

Largest Supplier of Electrical and Electronic Components

Click to view similar products for [Rocker Switches](#) category:

Click to view products by [TE Connectivity](#) manufacturer:

Other Similar products are found below :

[VKD2GHNB-00000-000](#) [VSD2GNNB-00000-000](#) [6-1571986-5](#) [6-1571986-9](#) [632422-4B-KD](#) [7036WWCDBX653+U622](#) [8055K52Z7V](#)
[8138K20E6M50](#) [FMC18A2200002](#) [84206L](#) [84312LX](#) [PREDD4-07F-BB0FW](#) [PREDD5-07F-BB0GW](#) [PRFDD1-16F-BB000](#) [PRFDD3-16F-](#)
[BB000](#) [1-1634201-0](#) [999-16702-001](#) [A101J2ZQ004](#) [A101J4ZQ004](#) [A101J51CB0004](#) [A107J51ZQ0004](#) [A201J1AQ004](#) [A201J1AV2Q004](#)
[A201J3ZB004](#) [A201J50ZQ004](#) [A203J51ZQ0004](#) [A226L11YZQ](#) [A22L11A](#) [A435S1YZQ](#) [H8500XBBBBL-A](#) [H8653VBBG2577W](#)
[HB130CHNWWNAAC](#) [1251.0303](#) [AE205J60V3B004](#) [RH110C2NBB](#) [1352.0107](#) [1363.0201](#) [AML25GBF2AA03GR](#) [1571099-3](#) [1571987-4](#)
[1571987-5](#) [1571989-7](#) [B123J77V7B2](#) [B226J50W4Q22P](#) [B433J37ZQ22M](#) [160212E](#) [1801.1164](#) [1831.1102](#) [1833.3402](#) [1837.1118](#)