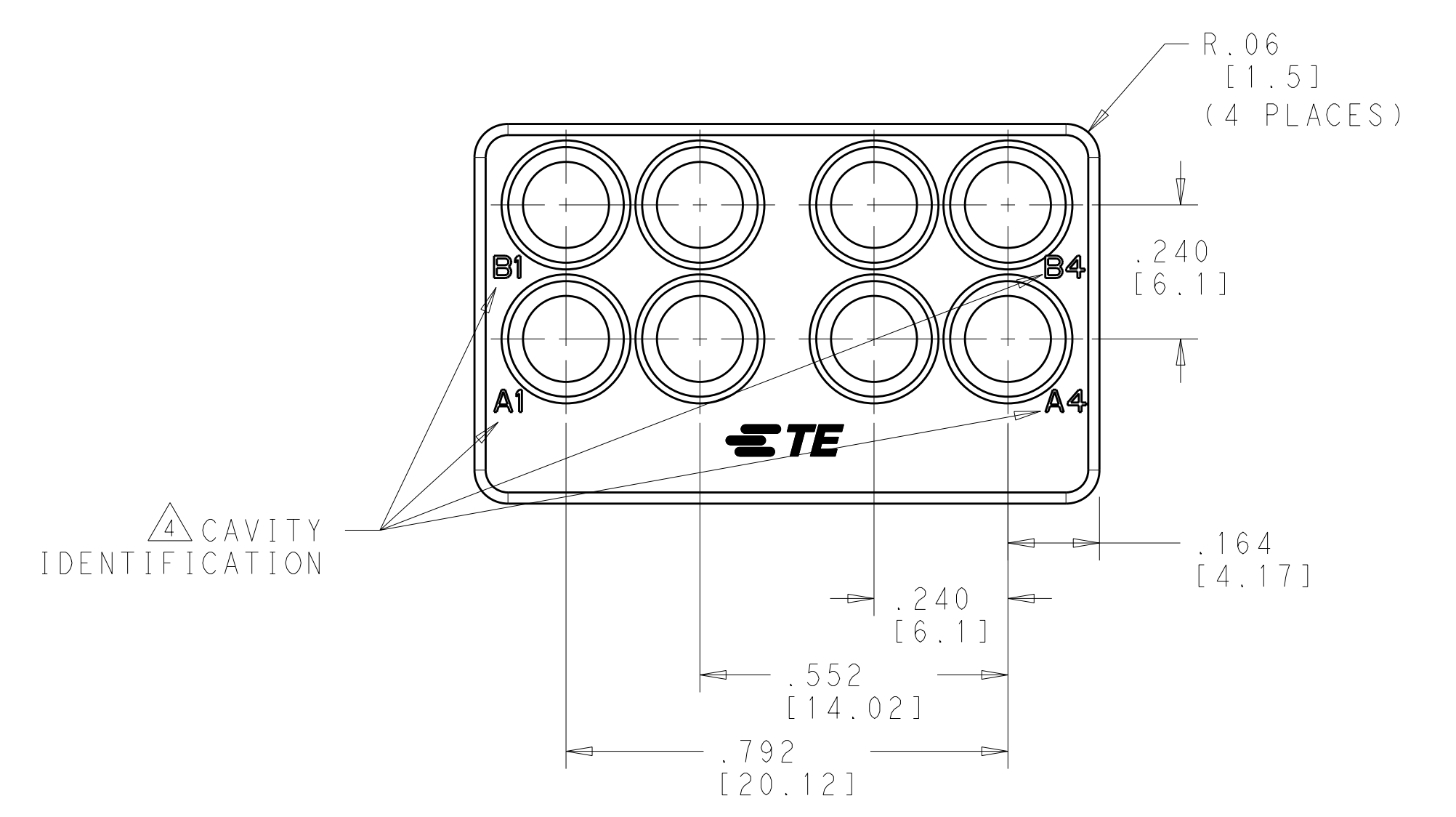
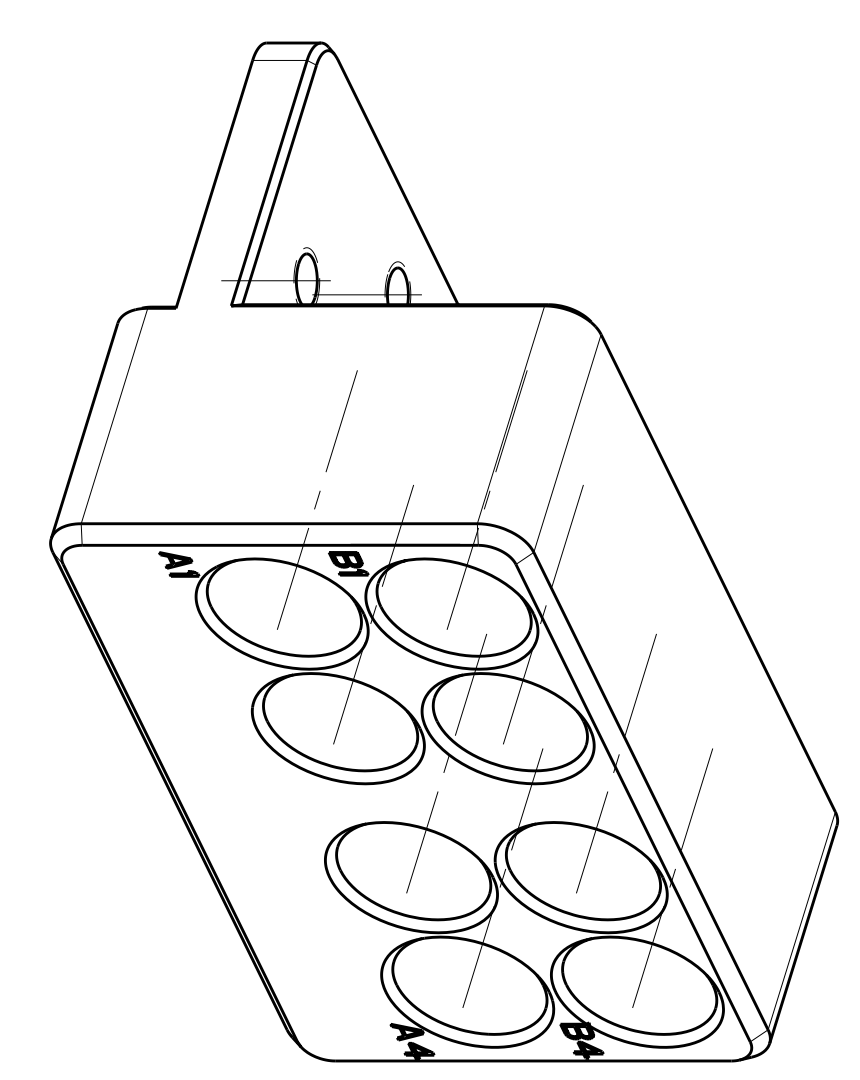
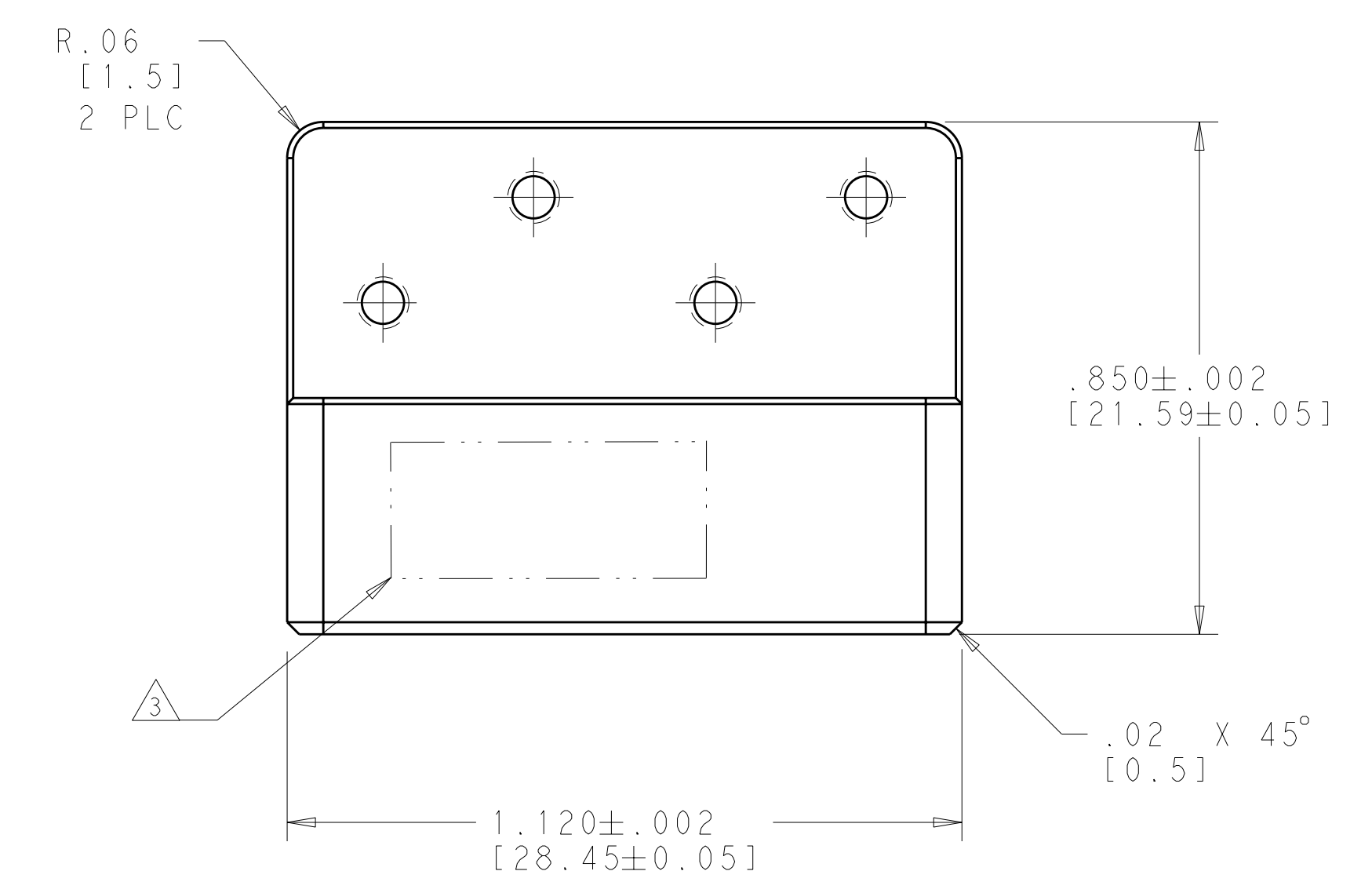
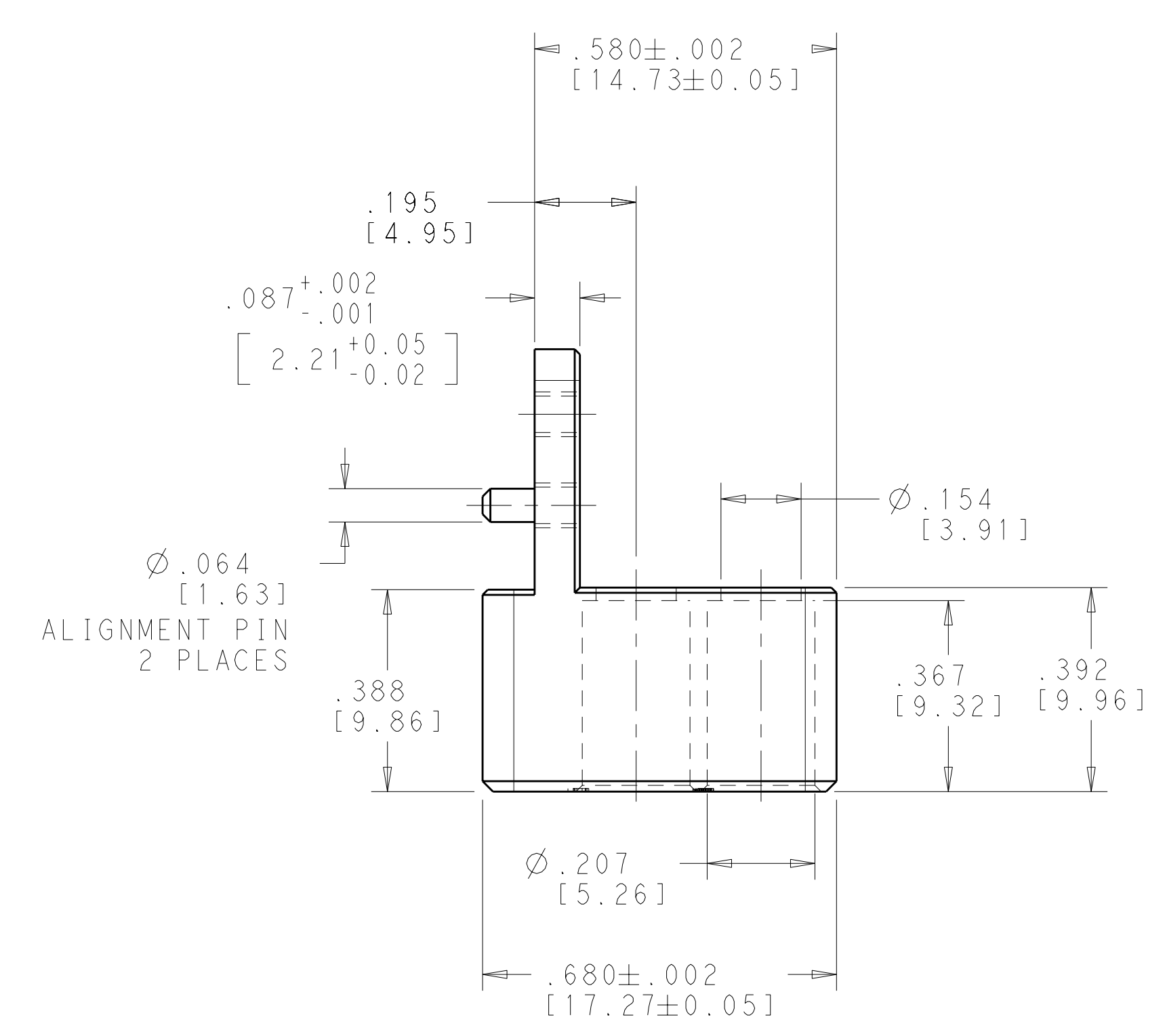
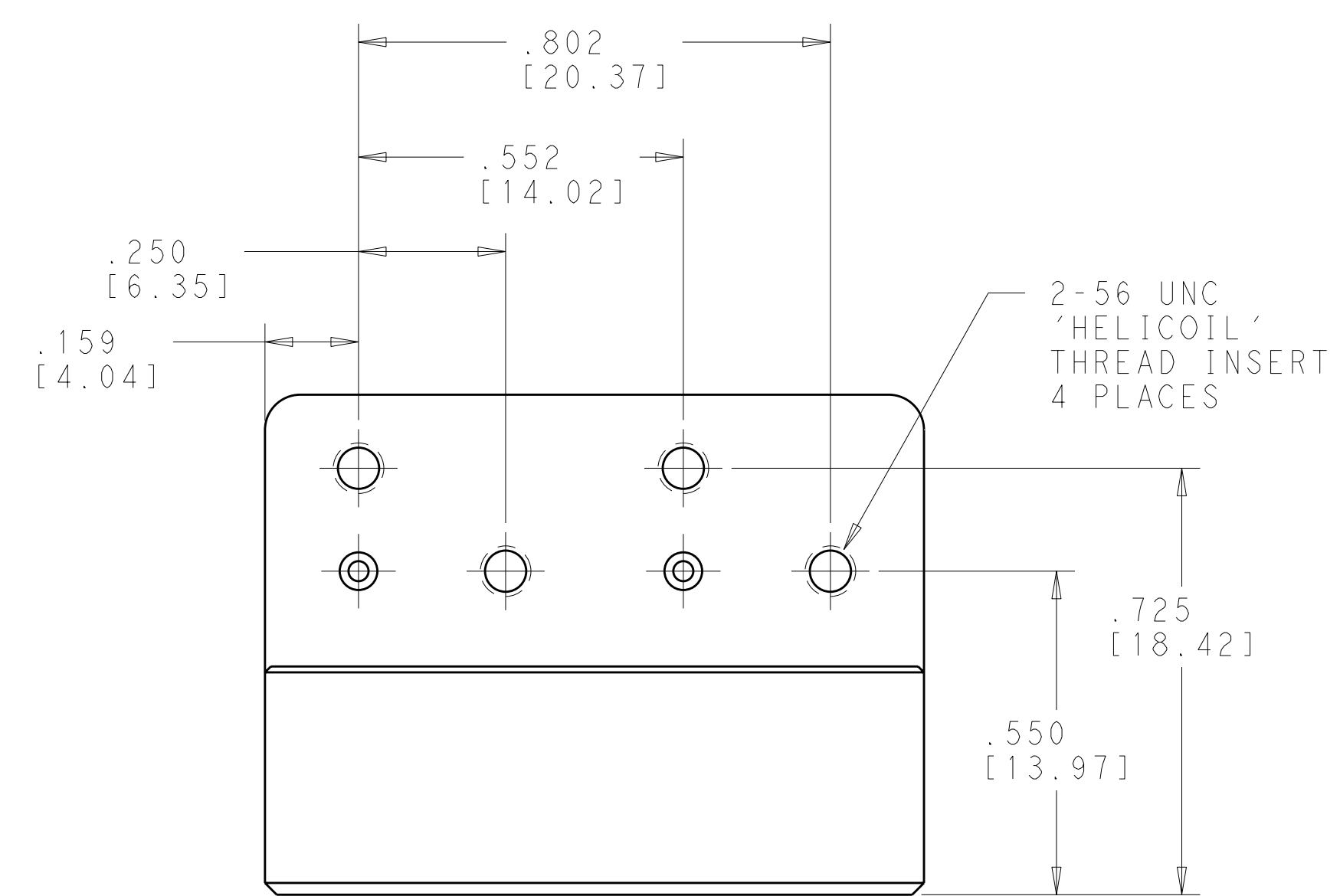


REVISONS		DATE	DWN	APVD
P	LTR			
A		2-21-12	CT	WM



- 1 MATERIAL: ALUMINUM ALLOY 6061-T6, (UNS A96061) PER ASTM B 221
- 2 FINISH: TRIVALENT CHROMATE CONVERSION COATING, PER MIL-DTL-5541F, CLASS 1A, TYPE II
- 3 PART MARKING: TE CONNECTIVITY PART NUMBER, CAGE CODE AND DATE CODE.
- 4 CAVITY IDENTIFICATION MARKING

2157247-4	3 4	2157247-4
N/A	N/A	2157247-3
PART MARKING	MARKING REQUIREMENT	PART NUMBER

THIS DRAWING IS A CONTROLLED DOCUMENT.		DWN S.T. Morley 07DEC2010	STE TE Connectivity	
DIMENSIONS: INCHES(mm)		CHK S.T. Morley 07DEC2010	NAME 8 POSITION RF MODULE, P.C.B. MOUNT VITA 67 DAUGHTER CARD	
TOLERANCES UNLESS OTHERWISE SPECIFIED:		APVD S.T. Morley 07DEC2010	APPLICATION SPEC 2-56 UNC-2B THREADED MOUNTING HOLES	
0 PLC ±.1 1 PLC ±.01 2 PLC ±.01 3 PLC ±.001 4 PLC ±.0001 ANGLES ±1.0°		PRODUCT SPEC	SIZE CAGE CODE DRAWING NO RESTRICTED TO	
MATERIAL 1		FINISH 2	WEIGHT A100779C=2157247	
CUSTOMER DRAWING		SCALE 4:1	SHEET 1 OF 1	REV A

## X-ON Electronics

Largest Supplier of Electrical and Electronic Components

*Click to view similar products for [RF Connectors / Coaxial Connectors](#) category:*

*Click to view products by [TE Connectivity](#) manufacturer:*

Other Similar products are found below :

[R125315120](#) [8915-1511-000](#) [89674-0827](#) [5916-1103-603](#) [6-0001-3](#) [6001-7071-019](#) [6002-7051-003](#) [6002-7551-202](#) [6059674-1](#) [619550-1](#)  
[630059-000](#) [M39012/25-0021](#) [M39012/79-3008](#) [M39030/3-01N](#) [M39030/3-03N](#) [M3933/25-36N](#) [6500-7071-046](#) [M83723/72W24576](#)  
[M83723/72W2457N](#) [6769](#) [CX050L2AQ](#) [7002-1541-010](#) [7002-1572-002](#) [7003-1572-002](#) [7010-1511-000](#) [7029-1511-060](#) [7101-1541-010](#)  
[7101-1571-002](#) [7105-1521-002](#) [7145-1521-002](#) [7209-1511-011](#) [7210-1511-015](#) [7210-1511-019](#) [7225-1512-050](#) [7242-1511-000](#) [73137-5015](#)  
[73251-0111](#) [73251-0672](#) [7325-1512-000](#) [73276-1501](#) [73366-0013](#) [73404-2300](#) [73413-6080](#) [73415-5721](#) [7405-1521-005](#) [7405-1521-802](#)  
[7406-1521-005](#) [804S01D04M040](#) [8145-1521-002](#) [81590](#)