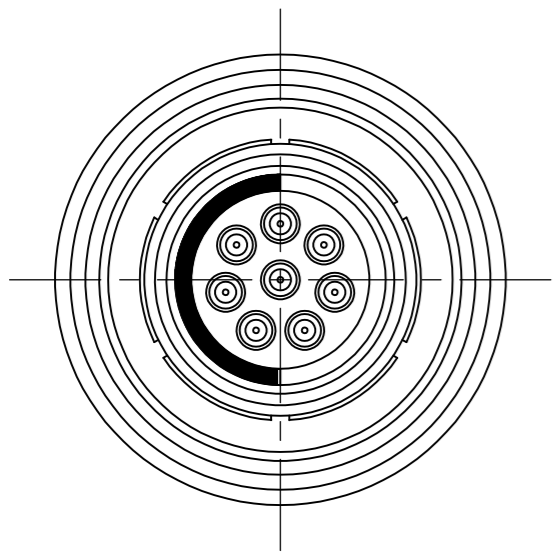
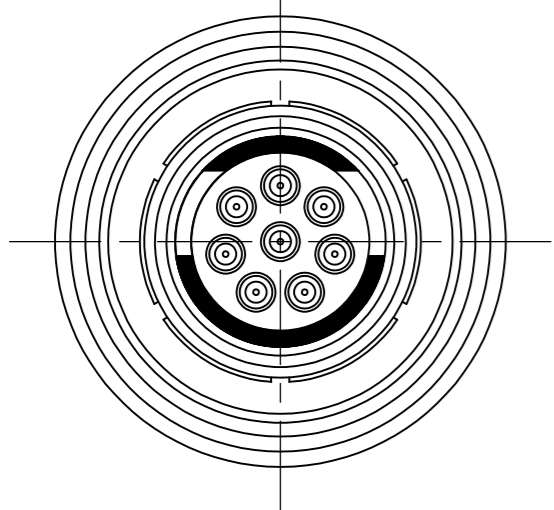


THIS DRAWING IS UNPUBLISHED. RELEASED FOR PUBLICATION
 © COPYRIGHT - By - ALL RIGHTS RESERVED.

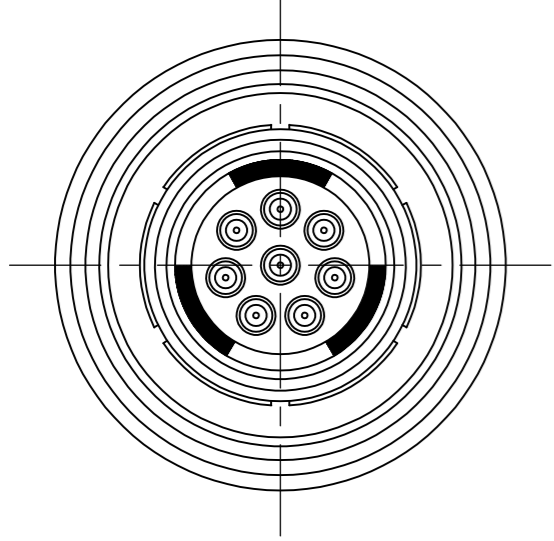
LOC		DIST		REVISIONS			
P	LTR	DESCRIPTION		DATE	DWN	APVD	
C		REVISED PER ECO 13-001843.		08FEB2013	MGM	CT	



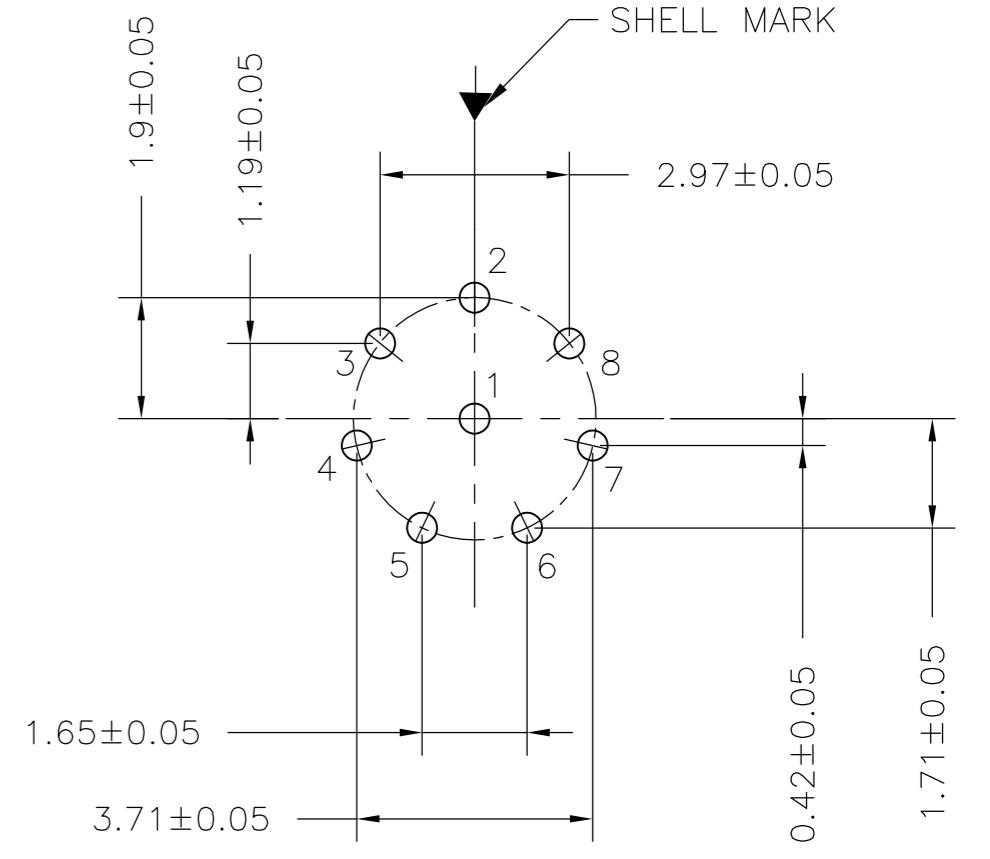
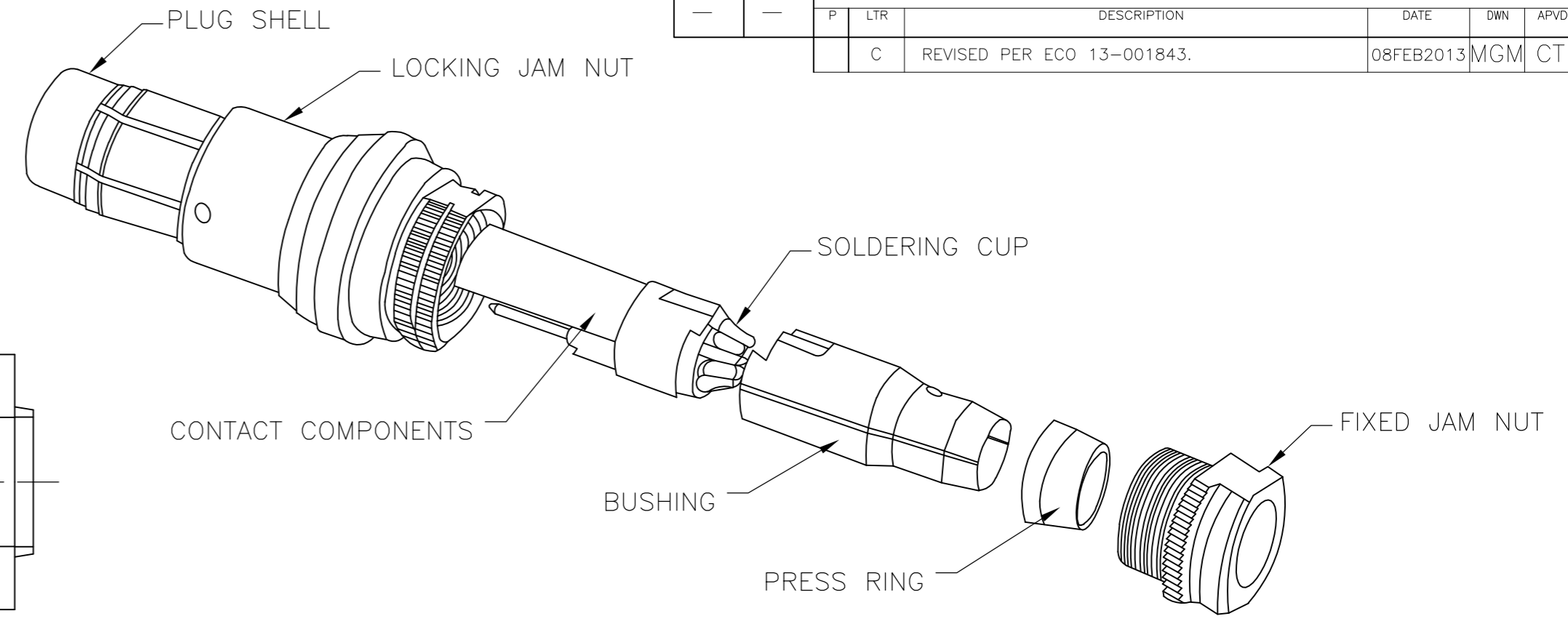
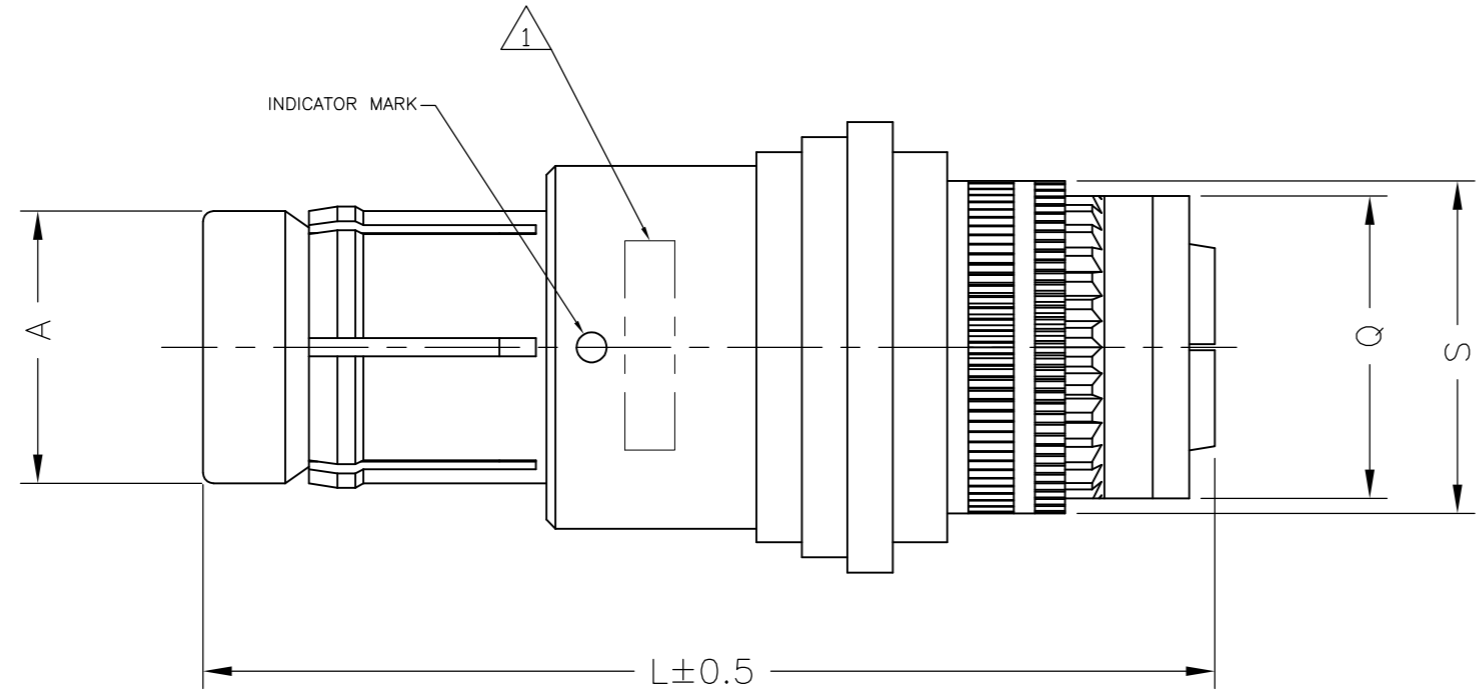
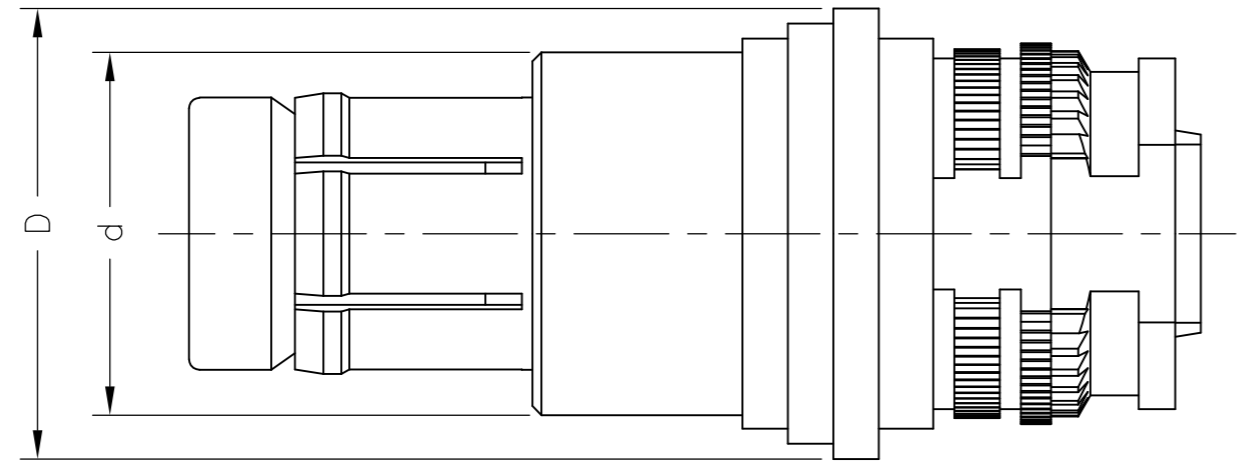
SINGLE POLARIZATION



DOUBLE POLARIZATION



THREE KEY POLARIZATION



CAVITY IDENTIFICATION WHEN VIEWED FROM REAR OF CONNECTOR

1 THE PART IS MARKED WITH THE TE PART NUMBER, CHINA, DATE CODE AND LOT ID.

- 2. DWV RATING: 725VAC @ SEA LEVEL
- 3. WIRE SIZE: 24 AWG MAX
- 4. WORKING TEMPERATURE: -55°C ~ +125°C

5 MATERIAL:
 CONTACT : COPPER ALLOY
 SHELL : COPPER ALLOY
 INSULATOR : PEEK

6 FINISH
 CONTACT: GOLD OVER NICKEL
 SHELL : BLACK CHROMIUM

7 ALL TOLERANCES TO BE ±0.20 MM UNLESS NOTED

CHROMIUM-BLACK	THREE	SOLDERING	ø9	10	11	33.45	ø12	ø14.9	2	2157376-3
CHROMIUM-BLACK	DOUBLE	SOLDERING	ø9	10	11	33.45	ø12	ø14.9	2	2157376-2
CHROMIUM-BLACK	SINGLE	SOLDERING	ø9	10	11	33.45	ø12	ø14.9	2	2157376-1
FINISH	POLARIZATION	TERMINATION	A	Q	S	L max	d	D	SHELL SIZE	TE PART NUMBER

THIS DRAWING IS A CONTROLLED DOCUMENT.

DWN	C.C THOMAS	24FEB2011
CHK	R. GROSS	24FEB2011
APVD	R. GROSS	24FEB2011
PRODUCT SPEC	108-127005	
APPLICATION SPEC		
WEIGHT	-	
CUSTOMER DRAWING		

TE TE Connectivity

CIRCULAR HD PLUG WITH PIN CONTACTS
8 POS.

SIZE	A2	CAGE CODE	00779	DRAWING NO	C=2157376	RESTRICTED TO	-
SCALE	NTS	SHEET	1 of 1	REV	C		

X-ON Electronics

Largest Supplier of Electrical and Electronic Components

Click to view similar products for [Standard Circular Connector](#) category:

Click to view products by [TE Connectivity](#) manufacturer:

Other Similar products are found below :

[5M2530B10P](#) [600259N006](#) [600273N007](#) [6134-336-13149](#) [6134-337-11149](#) [6134-337-2390](#) [6134-341-17149](#) [6280-4SG-516](#) [6280-7SG-3DC](#)
[6290](#) [6291A](#) [66200A-10](#) [680-SMG](#) [681-PMG](#) [CXS3102A14S2P](#) [CXS3102A181S](#) [7271-6SG-300](#) [7282-3PG-300-CH3](#) [75-474618-01S](#) [75-](#)
[474618-04P](#) [75-474618-04S](#) [799539-000](#) [MI8-SE](#) [805-005-07NF11-19PC](#) [805-005-07NF15-7PA](#) [8280-4PG-516](#) [8280-7PG-519](#) [8282-5PG-](#)
[519](#) [836783-1](#) [MP-4102-25P-C](#) [862256-1](#) [864019-2](#) [866857-1](#) [867865-1](#) [PT01SP-14-18P](#) [PT08P-14-5S](#) [120-1833-000](#)
[QCM019PC2DC012B](#) [1-2069279-1](#) [121583-0217](#) [121667-0020](#) [129591AU](#) [1000B BULK](#) [RD10A16-19-P6CS051/1](#) [RD10A20-31-](#)
[P8CS051/1](#) [RD16A14-12-S6CS051/2](#) [1301240290](#) [1301240347](#) [1301860202](#) [1301240268](#) [1301240275](#)