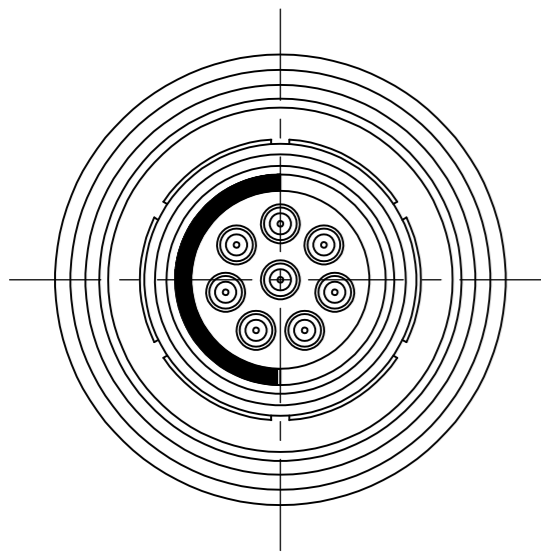
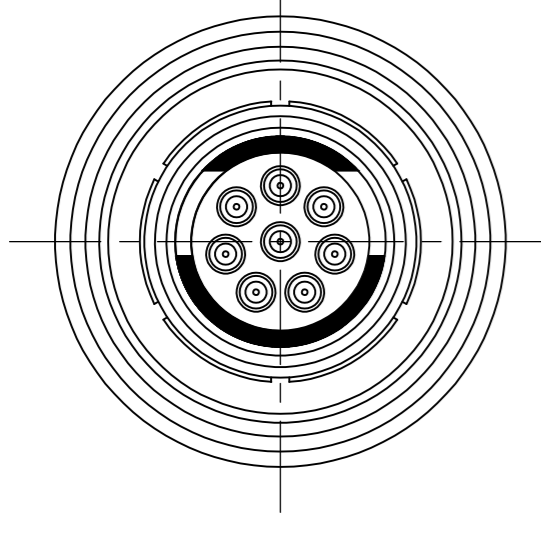


THIS DRAWING IS UNPUBLISHED. RELEASED FOR PUBLICATION  
 © COPYRIGHT - By - ALL RIGHTS RESERVED.

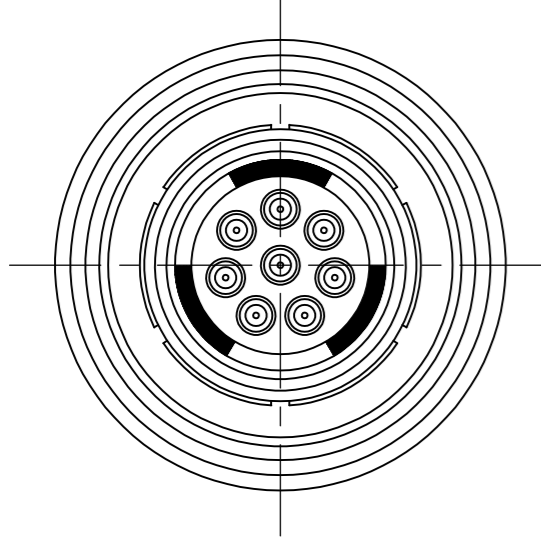
LOC		DIST		REVISIONS			
P	LTR	DESCRIPTION	DATE	DWN	APVD		
C		REVISED PER ECO 13-001843.	08FEB2013	MGM	CT		



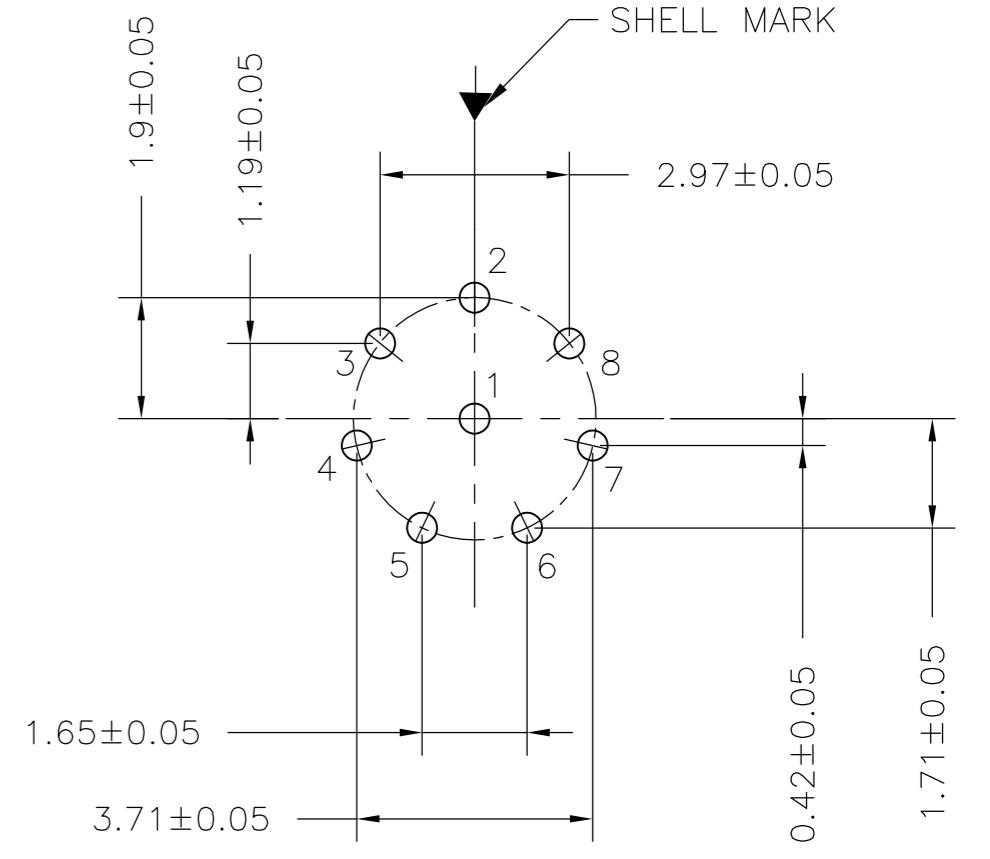
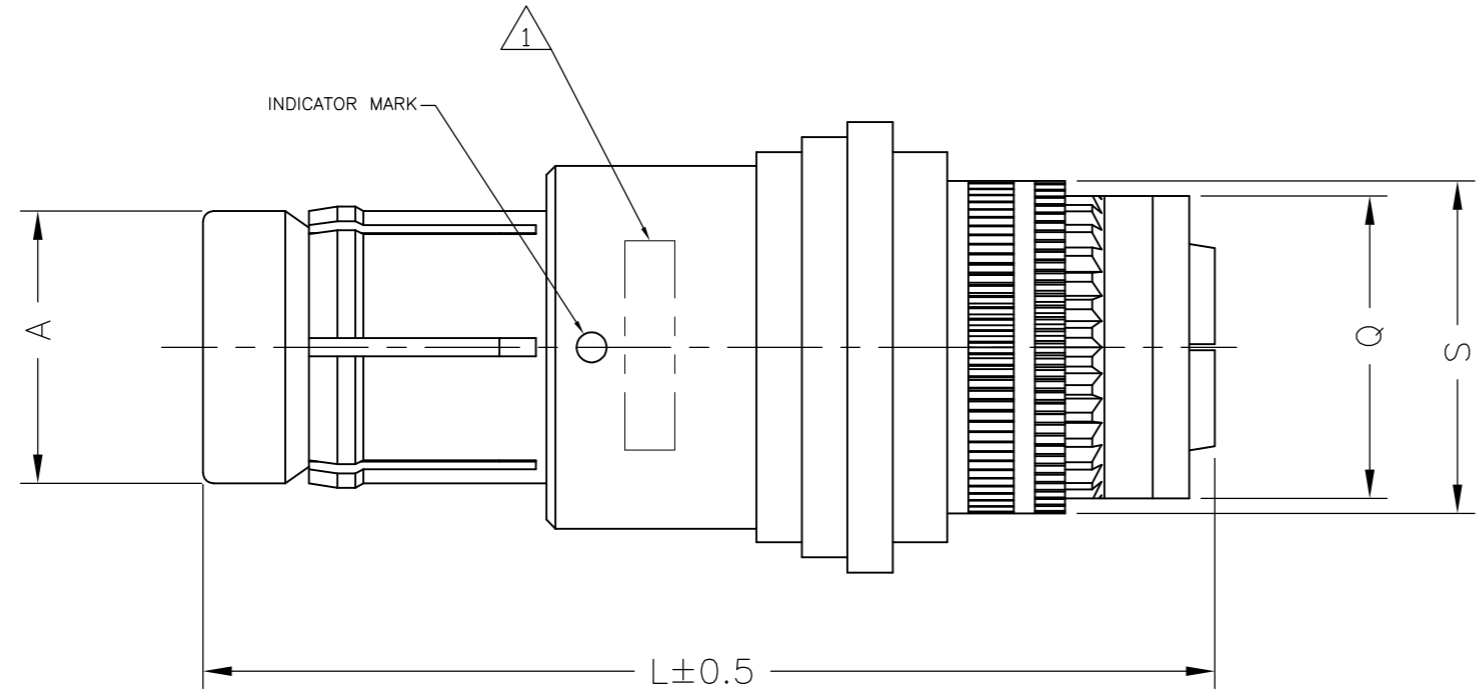
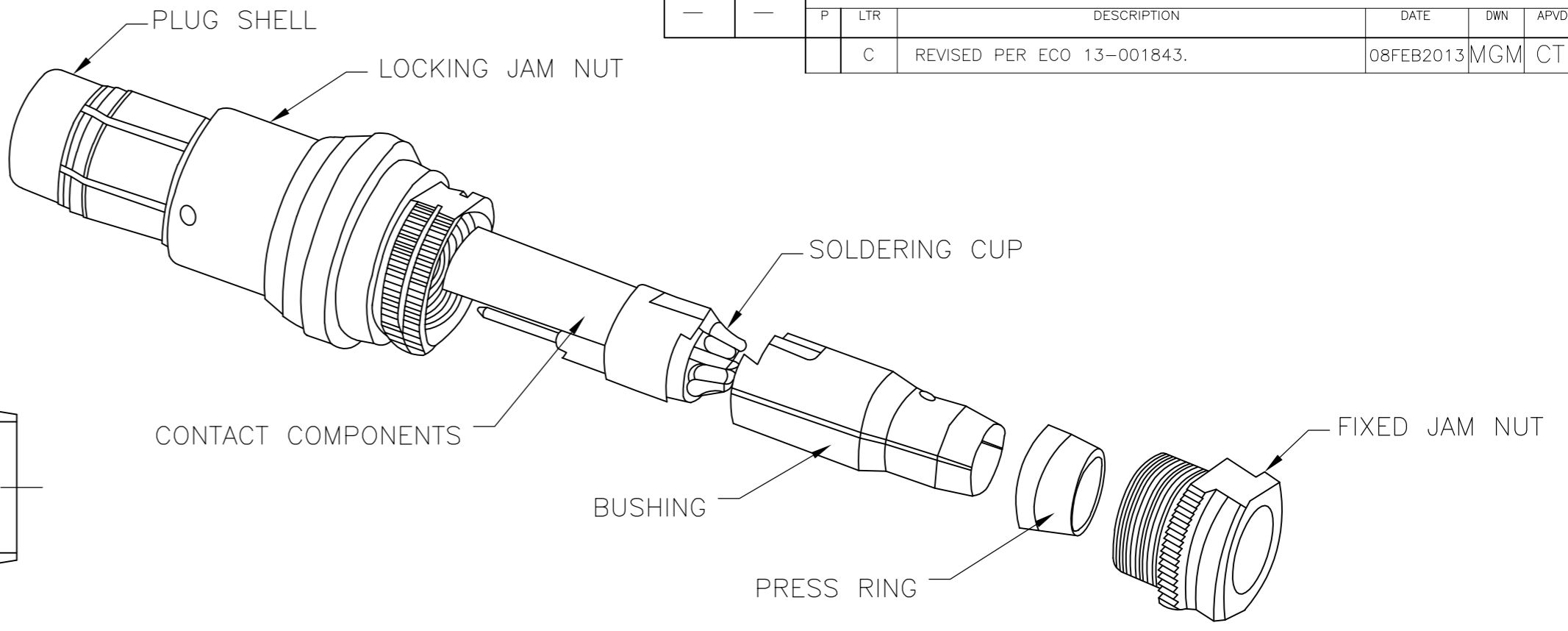
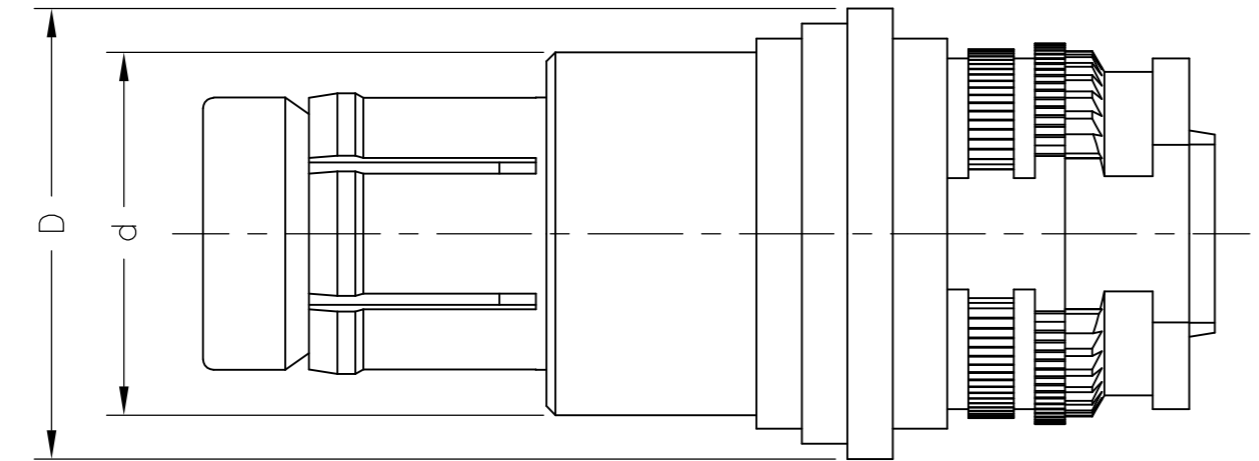
SINGLE POLARIZATION



DOUBLE POLARIZATION



THREE KEY POLARIZATION



CAVITY IDENTIFICATION WHEN VIEWED FROM REAR OF CONNECTOR

1 THE PART IS MARKED WITH THE TE PART NUMBER, CHINA, DATE CODE AND LOT ID.

- 2. DWV RATING: 725VAC @ SEA LEVEL
- 3. WIRE SIZE: 24 AWG MAX
- 4. WORKING TEMPERATURE: -55°C ~ +125°C

5 MATERIAL:  
 CONTACT : COPPER ALLOY  
 SHELL : COPPER ALLOY  
 INSULATOR : PEEK

6 FINISH  
 CONTACT: GOLD OVER NICKEL  
 SHELL : BLACK CHROMIUM

7 ALL TOLERANCES TO BE ±0.20 MM UNLESS NOTED

CHROMIUM-BLACK	THREE	SOLDERING	ø9	10	11	33.45	ø12	ø14.9	2	2157376-3
CHROMIUM-BLACK	DOUBLE	SOLDERING	ø9	10	11	33.45	ø12	ø14.9	2	2157376-2
CHROMIUM-BLACK	SINGLE	SOLDERING	ø9	10	11	33.45	ø12	ø14.9	2	2157376-1
FINISH	POLARIZATION	TERMINATION	A	Q	S	L max	d	D	SHELL SIZE	TE PART NUMBER

THIS DRAWING IS A CONTROLLED DOCUMENT.

DWN	24FEB2011	C.C THOMAS
CHK	24FEB2011	R. GROSS
APVD	24FEB2011	R. GROSS
PRODUCT SPEC	108-127005	
APPLICATION SPEC	-	
WEIGHT	-	A2
CUSTOMER DRAWING	SCALE	NTS

TE Connectivity  
 CIRCULAR HD PLUG WITH PIN CONTACTS  
 8 POS.

SIZE	CAGE CODE	DRAWING NO	RESTRICTED TO
A2	00779	C=2157376	-
SHEET	1 OF 1	REV	C

## X-ON Electronics

Largest Supplier of Electrical and Electronic Components

*Click to view similar products for [Standard Circular Connector](#) category:*

*Click to view products by [TE Connectivity](#) manufacturer:*

Other Similar products are found below :

[5M2530B10P](#) [600259N006](#) [600273N007](#) [6134-336-13149](#) [6134-337-11149](#) [6134-337-2390](#) [6134-341-17149](#) [6280-4SG-516](#) [6280-7SG-3DC](#)  
[6290](#) [6291A](#) [66200A-10](#) [680-SMG](#) [681-PMG](#) [CXS3102A14S2P](#) [CXS3102A181S](#) [7271-6SG-300](#) [7282-3PG-300-CH3](#) [75-474618-01S](#) [75-](#)  
[474618-04P](#) [75-474618-04S](#) [799539-000](#) [MI8-SE](#) [805-005-07NF11-19PC](#) [805-005-07NF15-7PA](#) [8280-4PG-516](#) [8280-7PG-519](#) [8282-5PG-](#)  
[519](#) [836783-1](#) [MP-4102-25P-C](#) [862256-1](#) [864019-2](#) [866857-1](#) [867865-1](#) [PT01SP-14-18P](#) [PT08P-14-5S](#) [120-1833-000](#)  
[QCM019PC2DC012B](#) [1-2069279-1](#) [121583-0217](#) [121667-0020](#) [129591AU](#) [1000B BULK](#) [RD10A16-19-P6CS051/1](#) [RD10A20-31-](#)  
[P8CS051/1](#) [RD16A14-12-S6CS051/2](#) [1301240290](#) [1301240347](#) [1301860202](#) [1301240268](#) [1301240275](#)