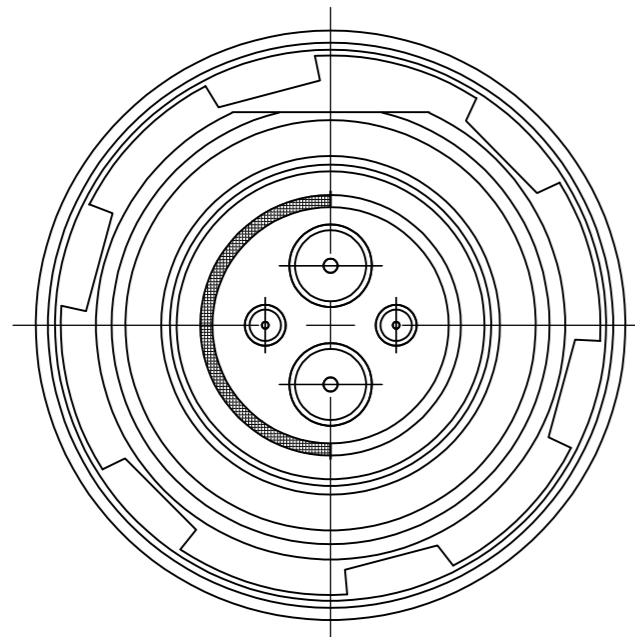
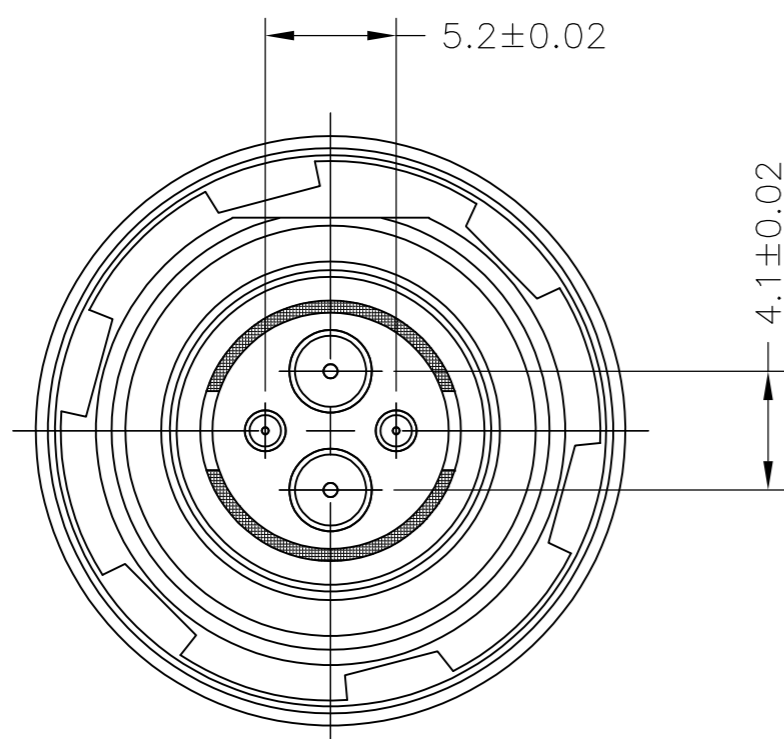


THIS DRAWING IS UNPUBLISHED. RELEASED FOR PUBLICATION
 © COPYRIGHT - By - ALL RIGHTS RESERVED.

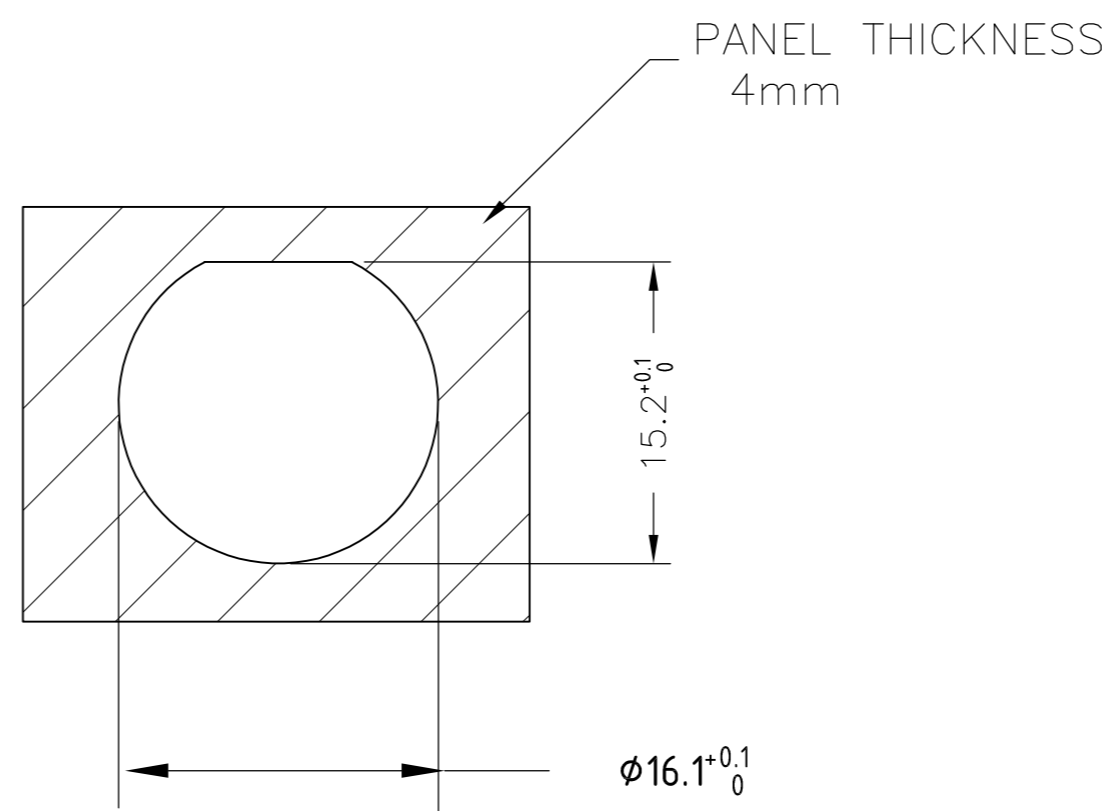
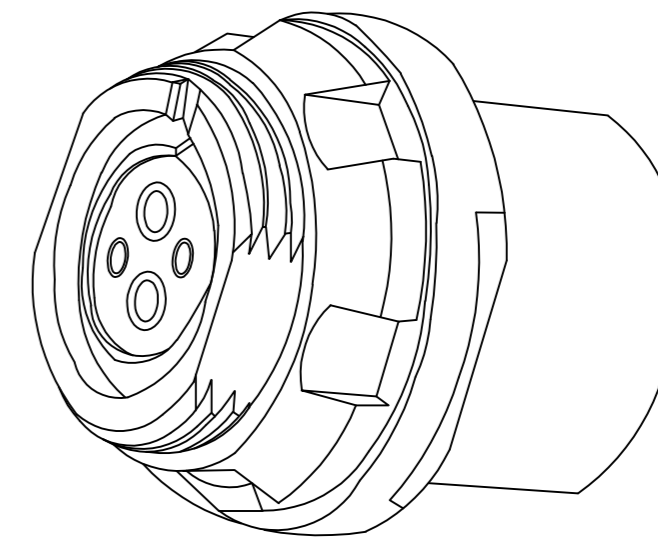
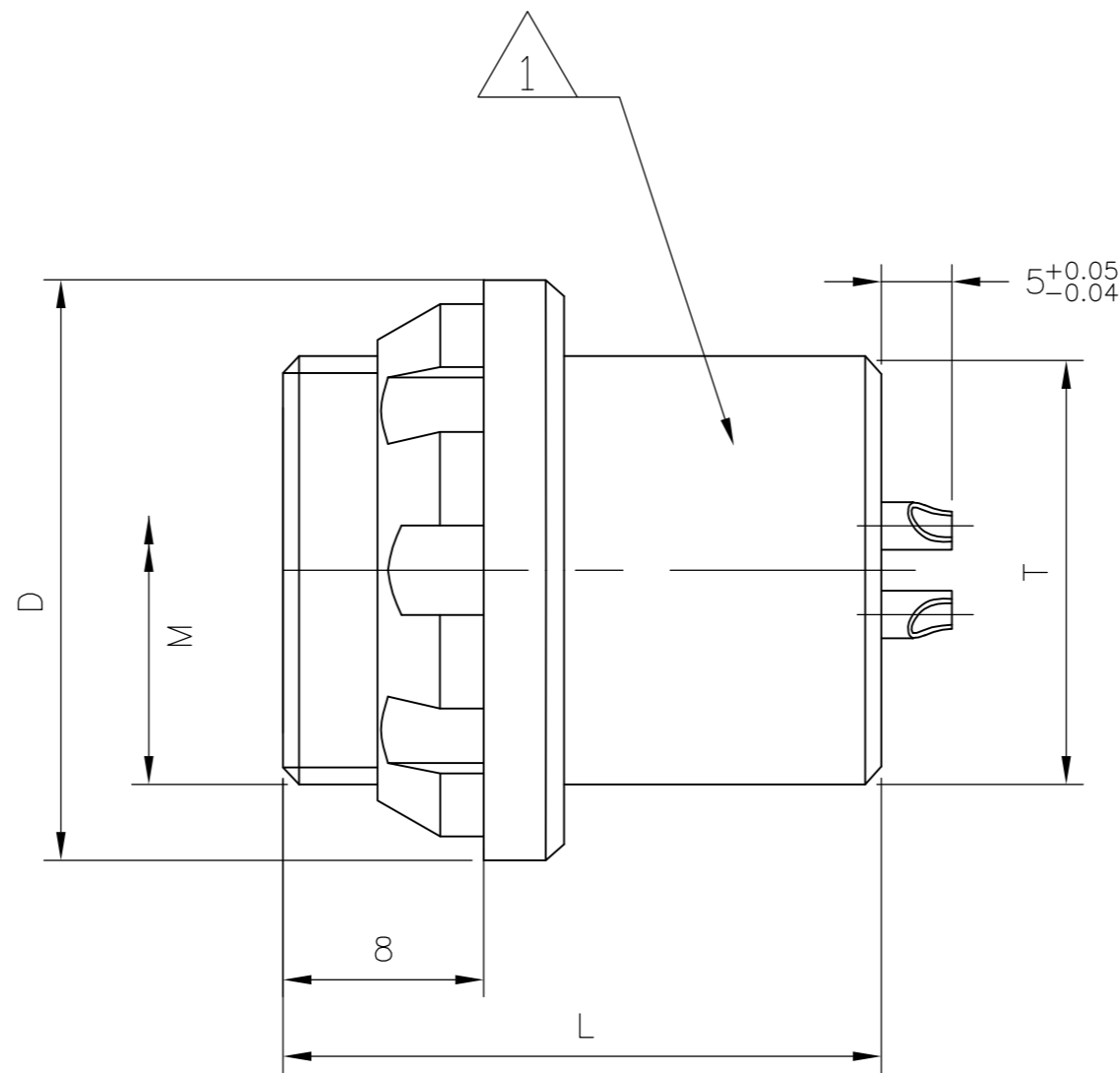
LOC		DIST		REVISIONS			
P	LTR	DESCRIPTION	DATE	DWN	APVD		
C		REVISED PER ECO 13-001843.	08FEB2013	MGM	CT		



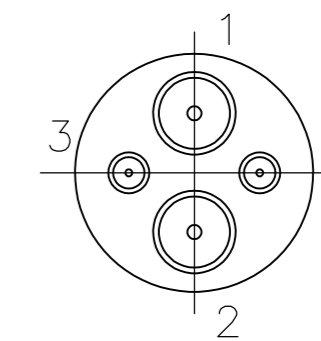
SINGLE POLARIZATION



DOUBLE POLARIZATION



PANEL CUTOUT



CAVITY IDENTIFICATION WHEN VIEWED FROM REAR OF CONNECTOR

1 THE PART IS MARKED WITH THE TE PART NUMBER, CHINA, DATE CODE AND LOT ID.

- 2. DWV RATING: 875VAC @ SEA LEVEL
- 3. WIRE SIZE: 2.3mm - 12 AWG MAX
0.9mm - 22 AWG MAX
- 4. WORKING TEMPERATURE: -55°C ~ +125°C

5 MATERIAL:
 CONTACT : COPPER ALLOY
 SHELL : COPPER ALLOY
 INSULATOR : PEEK
 O RING : SILICONE RUBBER

6 FINISH
 CONTACT: GOLD OVER NICKEL
 SHELL : BLACK CHROMIUM

7. WATER PROOF: 1M IMMERSION

8 ALL TOLERANCES ±.20 UNLESS NOTED.

CHROMIUM-BLACK	DOUBLE	SOLDERING	22.5	φ15	M16X1	φ22	4	2157468-2
CHROMIUM-BLACK	SINGLE	SOLDERING	22.5	φ15	M16X1	φ22	4	2157468-1
FINISH	POLARIZATION	TERMINATION	L	T	M THREAD	D	SHELL SIZE	TE PART NUMBER

THIS DRAWING IS A CONTROLLED DOCUMENT.

DWN	C.C THOMAS	03MAR11
CHK	R. GROSS	03MAR11
APVD	R. GROSS	03MAR11
PRODUCT SPEC	108-127005	
APPLICATION SPEC		
WEIGHT	-	
CUSTOMER DRAWING		

TE TE Connectivity

CIRCULAR HD RECEPTACLE WITH PIN CONTACTS, JAM NUT, FRONT MOUNTING, SOLDER CUP 4 POS.

SIZE	CAGE CODE	DRAWING NO	RESTRICTED TO
A2	00779	C=2157468	-
SCALE	NTS	SHEET	1 of 1
REV	C		

X-ON Electronics

Largest Supplier of Electrical and Electronic Components

Click to view similar products for [Standard Circular Connector](#) category:

Click to view products by [TE Connectivity](#) manufacturer:

Other Similar products are found below :

[C015](#) [10F006](#) [001](#) [1](#) [5M2530B10P](#) [600259N006](#) [600273N007](#) [600432N009](#) [6280-2PG-519](#) [6280-3PG-311](#) [6280-3SG-311](#) [6280-7SG-3DC](#)
[6280-7SG-522](#) [6282-2SG-321](#) [6282-5PG-311](#) [6282-6PG-519](#) [6282-8SG-311](#) [6283-11](#) [6283-15](#) [6290](#) [6382-2PG-311](#) [6382-2PG-3DC](#) [6382-](#)
[2SG-321](#) [6382-2SG-3DC](#) [6382-4SG-516](#) [680-SMG](#) [681-PMG](#) [CXS3102A14S2P](#) [CXS3102A181S](#) [CXS3106A14S6S](#) [D38999/20FC8SA L/C](#)
[MB12P-1](#) [7251-2PG-300](#) [7251-2SG-300](#) [7251-4PG-300](#) [7251-4SG-300](#) [7251-5PG-300](#) [7251-5SG-300](#) [7251-6SG-300](#) [7251-7PG-300](#) [7251-](#)
[8PG-300](#) [7271-6SG-300](#) [7282-3PG-300-CH3](#) [7282-8PG-3ES](#) [73000005663](#) [75-190216-08S](#) [75-190218-10P](#) [75-474618-01S](#) [75-474620-07P](#)
[799539-000](#) [MI8-SE](#) [80-190222-18P](#) [805-005-07NF11-19PC](#)