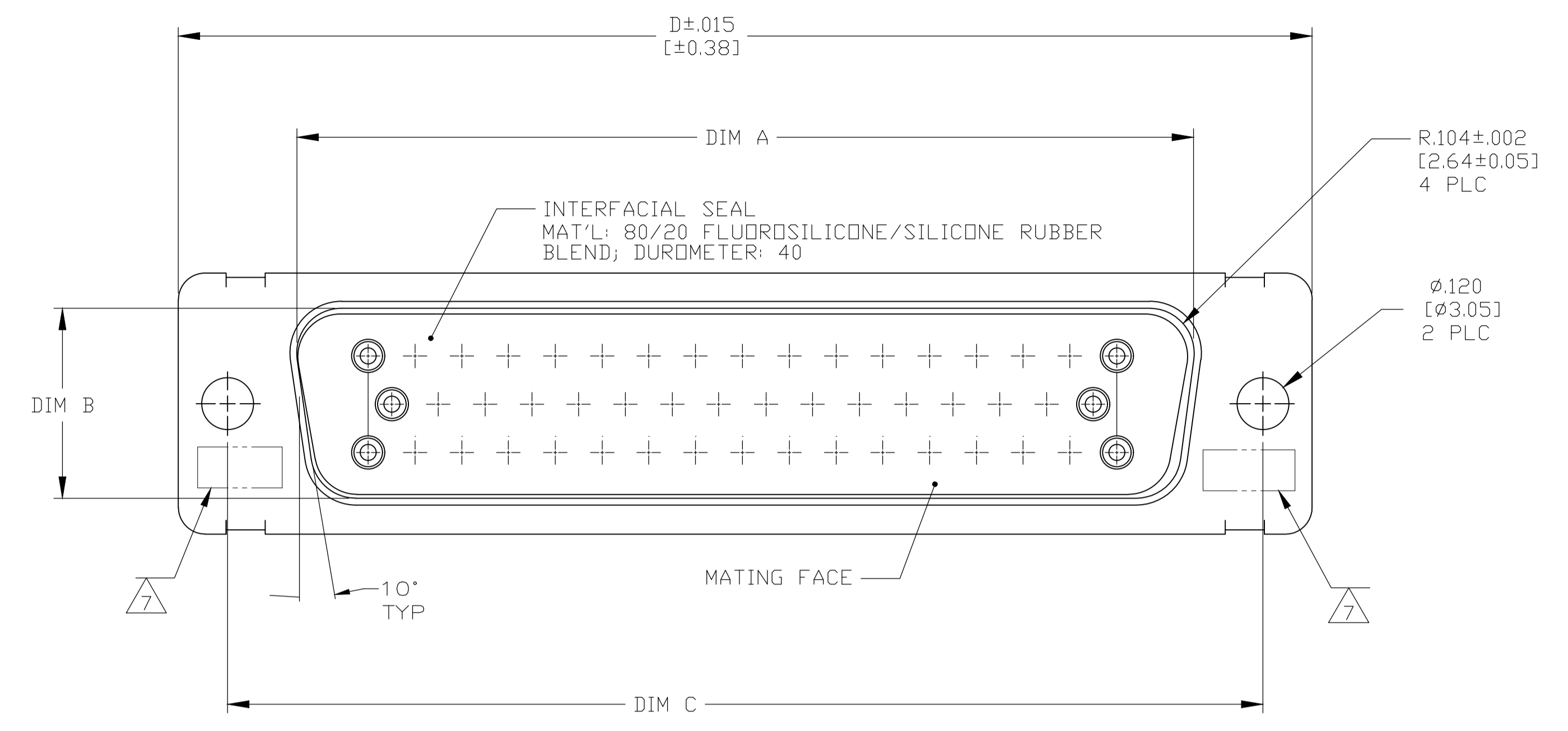
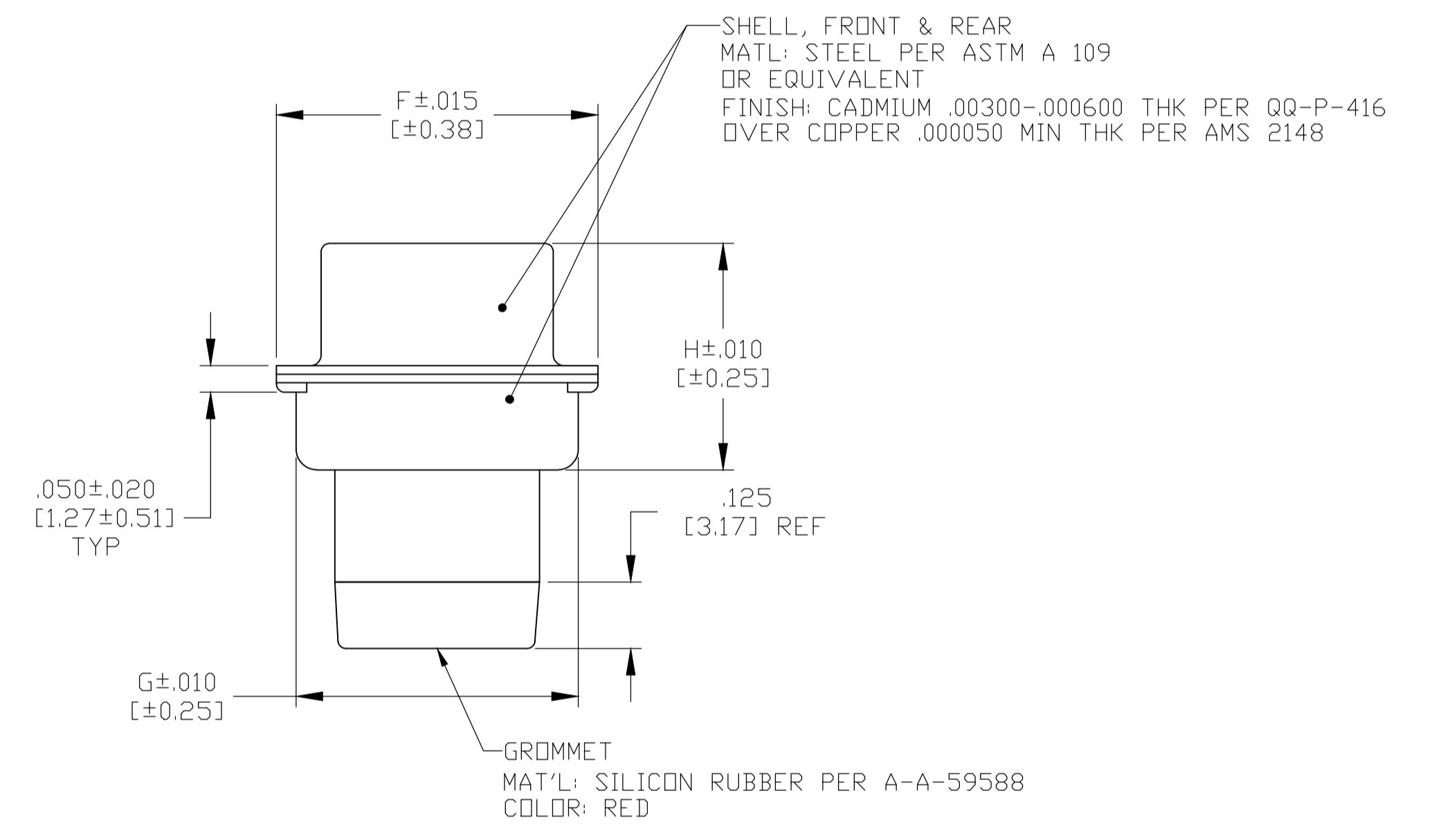
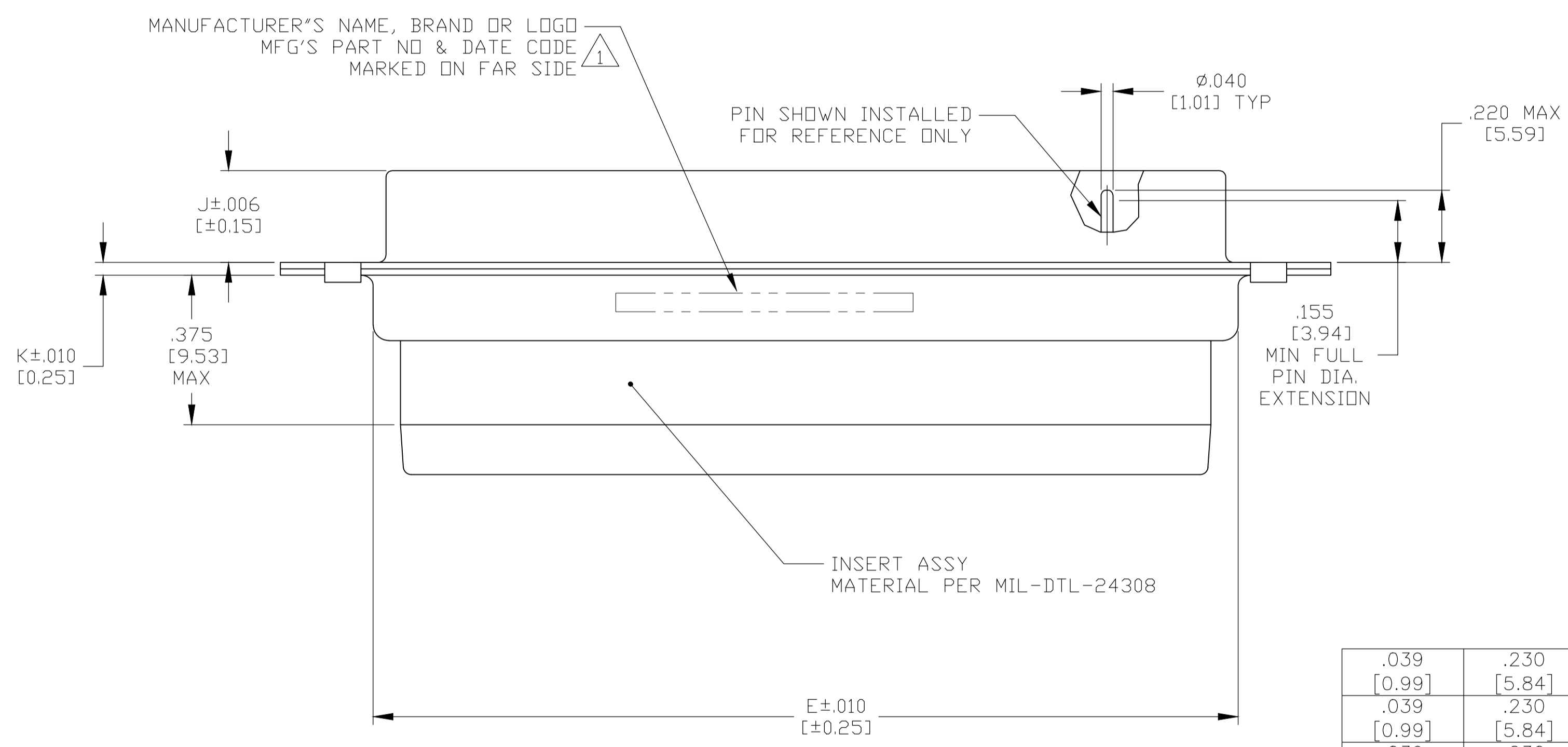


REVISIONS					
P	LTR	DESCRIPTION	DATE	DMN	APVD
F	REV PER ECO	18-007912	5-22-18	CT	DM



- MARKED WITH .047 [1.19] HIGH CHARACTERS. FAR SIDE REFERS TO WIDE SIDE OF KEYSTONE, NEAR SIDE REFERS TO NARROW SIDE OF KEYSTONE.
- THIS ASSEMBLY IS DESIGNED TO CONFORM TO THE LATEST ISSUE OF MIL-DTL-24308.
- MAXIMUM WIRE INSULATION USED WITH THIS CONNECTOR IS .072 [1.83] DIAMETER WITH GROMMET
- METAL RETENTION CLIPS ARE INCLUDED IN INSERTS.
- THIS PLUG WILL MATE WITH ANY RECEPTACLE CONNECTOR WITH THE SAME INSERT ARRANGEMENT.
- CONTACTS ARE PACKAGED SEPARATELY AND SHIPPED WITH CONNECTOR. (2157480-1 THRU -5 ONLY)
- UL/CSA DESIGNATION STAMPED IN THIS AREA.
- EPOXY IS APPLIED BETWEEN FRONT & REAR SHELLS AND INSERT.
- FOR CONTACT CRIMPING AND CONTACT INSTALLATION AND REMOVAL REFER TO TE I.S. 408-7516.
- INTERFACIAL SEAL IS BONDED TO FRONT INSERT.



PRELIMINARY PART NO.
 PRELIMINARY PART NO.

.039	.230	.426	.534	.605	2.178	2.635	2.406	.441	2.079	50	1-2157480-5
[0.99]	[5.84]	[10.82]	[13.56]	[15.37]	[55.32]	[66.93]	[61.11]	[11.20]	[52.81]		
.039	.230	.426	.422	.494	2.272	2.729	2.500	.329	2.182	37	1-2157480-4
[0.99]	[5.84]	[10.82]	[10.72]	[12.55]	[57.71]	[69.32]	[63.50]	[8.36]	[55.42]		
.039	.230	.426	.422	.494	1.625	2.088	1.852	.329	1.534	25	1-2157480-3
[0.99]	[5.84]	[10.82]	[10.72]	[12.55]	[41.27]	[53.03]	[47.04]	[8.36]	[39.96]		
.030	.235	.422	.422	.494	1.083	1.541	1.312	.329	.994	15	1-2157480-2
[0.76]	[5.97]	[10.72]	[10.72]	[12.55]	[27.51]	[39.14]	[33.32]	[8.36]	[25.25]		
.030	.235	.422	.422	.494	.759	1.213	.984	.329	.666	9	1-2157480-1
[0.76]	[5.97]	[10.72]	[10.72]	[12.55]	[19.28]	[30.81]	[24.99]	[8.36]	[16.92]		
.039	.230	.426	.534	.605	2.178	2.635	2.406	.441	2.079	50	2157480-5
[0.99]	[5.84]	[10.82]	[13.56]	[15.37]	[55.32]	[66.93]	[61.11]	[11.20]	[52.81]		
.039	.230	.426	.422	.494	2.272	2.729	2.500	.329	2.182	37	2157480-4
[0.99]	[5.84]	[10.82]	[10.72]	[12.55]	[57.71]	[69.32]	[63.50]	[8.36]	[55.42]		
.039	.230	.426	.422	.494	1.625	2.088	1.852	.329	1.534	25	2157480-3
[0.99]	[5.84]	[10.82]	[10.72]	[12.55]	[41.27]	[53.03]	[47.04]	[8.36]	[39.96]		
.030	.235	.422	.422	.494	1.083	1.541	1.312	.329	.994	15	2157480-2
[0.76]	[5.97]	[10.72]	[10.72]	[12.55]	[27.51]	[39.14]	[33.32]	[8.36]	[25.25]		
.030	.235	.422	.422	.494	.759	1.213	.984	.329	.666	9	2157480-1
[0.76]	[5.97]	[10.72]	[10.72]	[12.55]	[19.28]	[30.81]	[24.99]	[8.36]	[16.92]		
DIM K	DIM J	DIM H	DIM G	DIM F	DIM E	DIM D	DIM C	DIM B	DIM A	NO. OF POSITIONS	PART NUMBER

THIS DRAWING IS A CONTROLLED DOCUMENT.

DIMENSIONS: INCHES [mm]	TOLERANCES UNLESS OTHERWISE SPECIFIED:	DIN C.C.THOMAS 10-14-14	10-14-14
0 PLC ± -	1 PLC ± -	C.DERRICK 10-14-14	10-14-14
2 PLC ± -	3 PLC ± .005 [0.13]	APVD C.DERRICK 10-14-14	10-14-14
4 PLC ± -	ANGLES ± ± 1°	NAME	NAME
MATERIAL SEE CALLOUTS	FINISH SEE CALLOUTS	APPLICATION SPEC	RESTRICTED TO
WEIGHT 0.000000	SCALE 4:1	SIZE A1	00779
CUSTOMER DRAWING	SCALE 4:1	SHEET 1 of 1	REV F

STE TE Connectivity

PLUG ASSY, SIZE 1-5, IP67 SERIES 109, AMPLIMITE WITH IF SEAL AND GROMMET

00779 2157480

X-ON Electronics

Largest Supplier of Electrical and Electronic Components

Click to view similar products for [D-Sub Standard Connectors](#) category:

Click to view products by [TE Connectivity](#) manufacturer:

Other Similar products are found below :

[56F711-015](#) [012-9507-004](#) [LV242999-142T12](#) [015-0341-000](#) [015-0372-005](#) [015-0372-008](#) [015-8755-001](#) [020419-0104](#) [012-0467-000](#) [012-0515-000](#) [012-9507-034](#) [012-9507-114](#) [020745-0008](#) [609-25P](#) [M24308/2-23Z](#) [CT2-14S-2PCA34](#) [CT2-18-11PCAU](#) [CT2-36-15SC](#) [CT6-14S-2SC](#) [CT6E14SA7SC](#) [CT6E22-14PC](#) [CT6E22-14PS](#) [CT6E22-22PS](#) [M83513/01-FC](#) [M85049/48-3-2F](#) [6STD09PCM99B70X](#) [6STD09SCM99B30X](#) [6STD09SCT99S40X](#) [6STD15PCT99S40X](#) [6STD15SCM99B30X](#) [6STD15SCT99S40X](#) [6STF09PCM05B70X](#) [7-135760-9](#) [MC11E-10-6SN](#) [747552-3](#) [MD1-21PS](#) [MDM-15SCBRM7-F222](#) [MDM96517-699](#) [MDM96521-744](#) [MDVB1-21SL1](#) [MIK0-1-7SH003](#) [MIKQ6-7SH076](#) [MIKQ7-7PH077](#) [MIKQ7-7PH11](#) [MIKQ7-7PH32](#) [MJSV-28SL61](#) [MKJ4A1F14-55S](#) [8-135760-3](#) [8STD09PCM99B30X](#) [PG-KV/PV-16-GROM-SEALING](#)