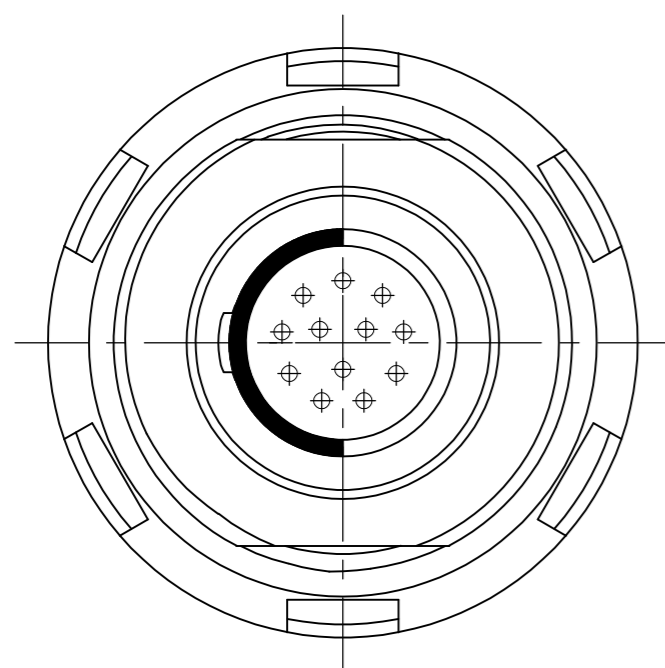
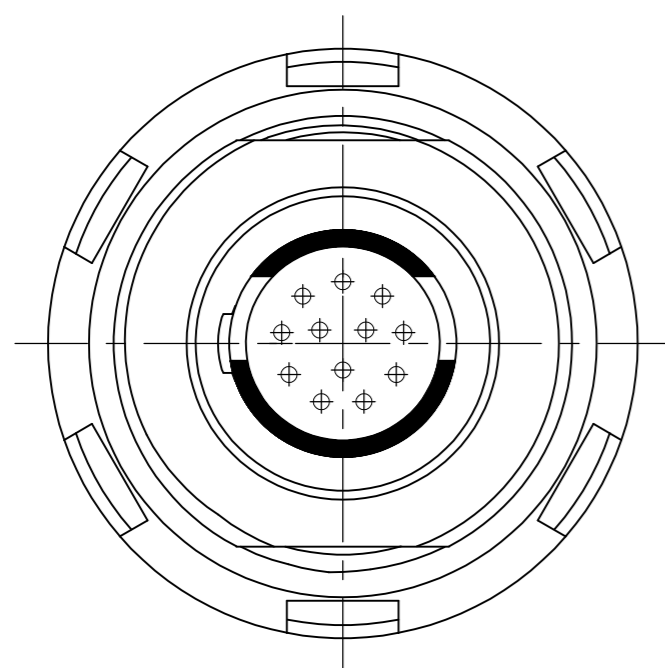
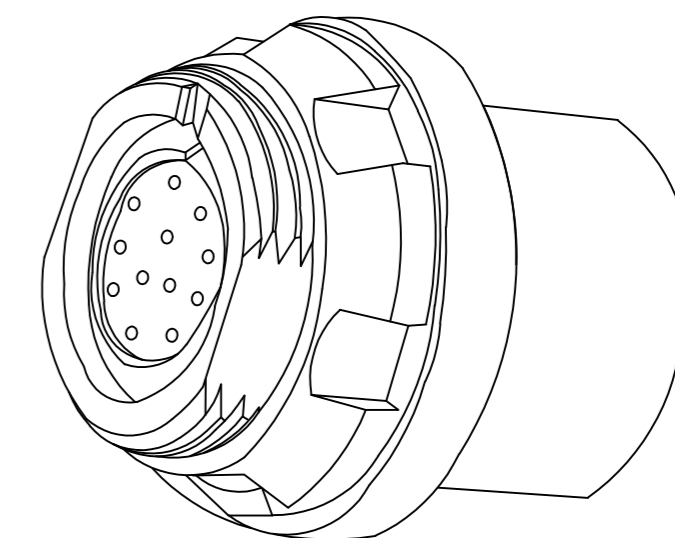
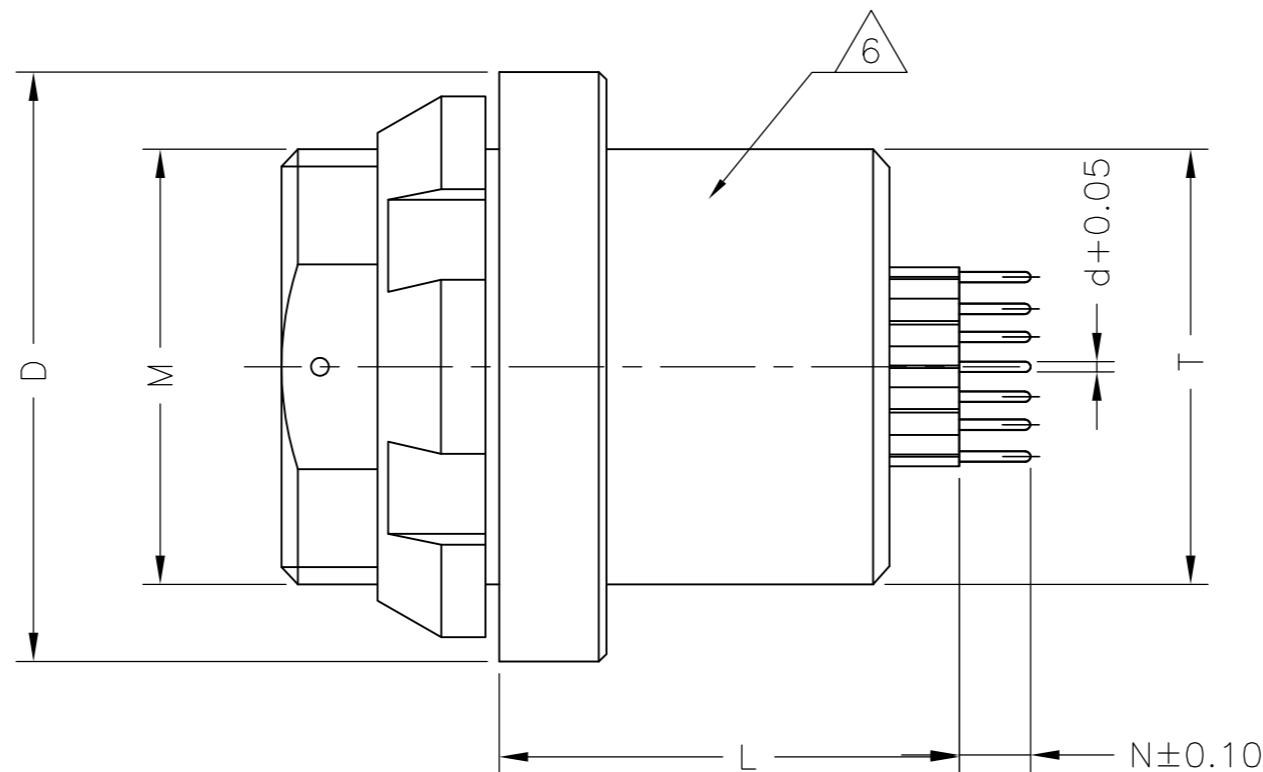


THIS DRAWING IS UNPUBLISHED. RELEASED FOR PUBLICATION  
 © COPYRIGHT - By - ALL RIGHTS RESERVED.

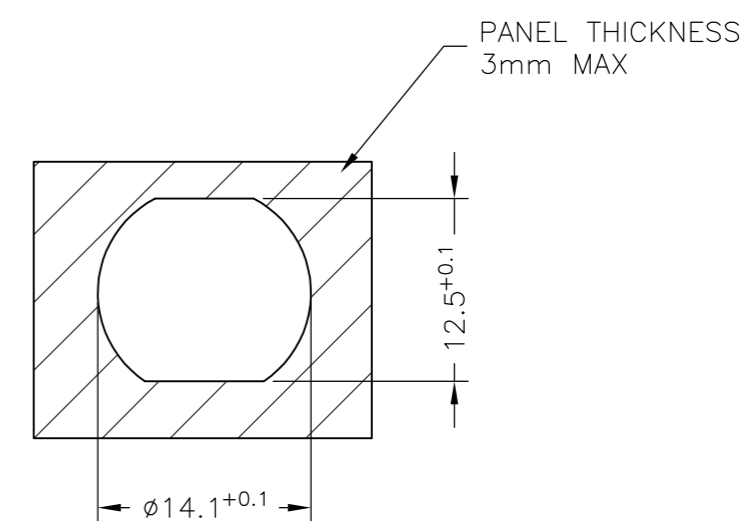
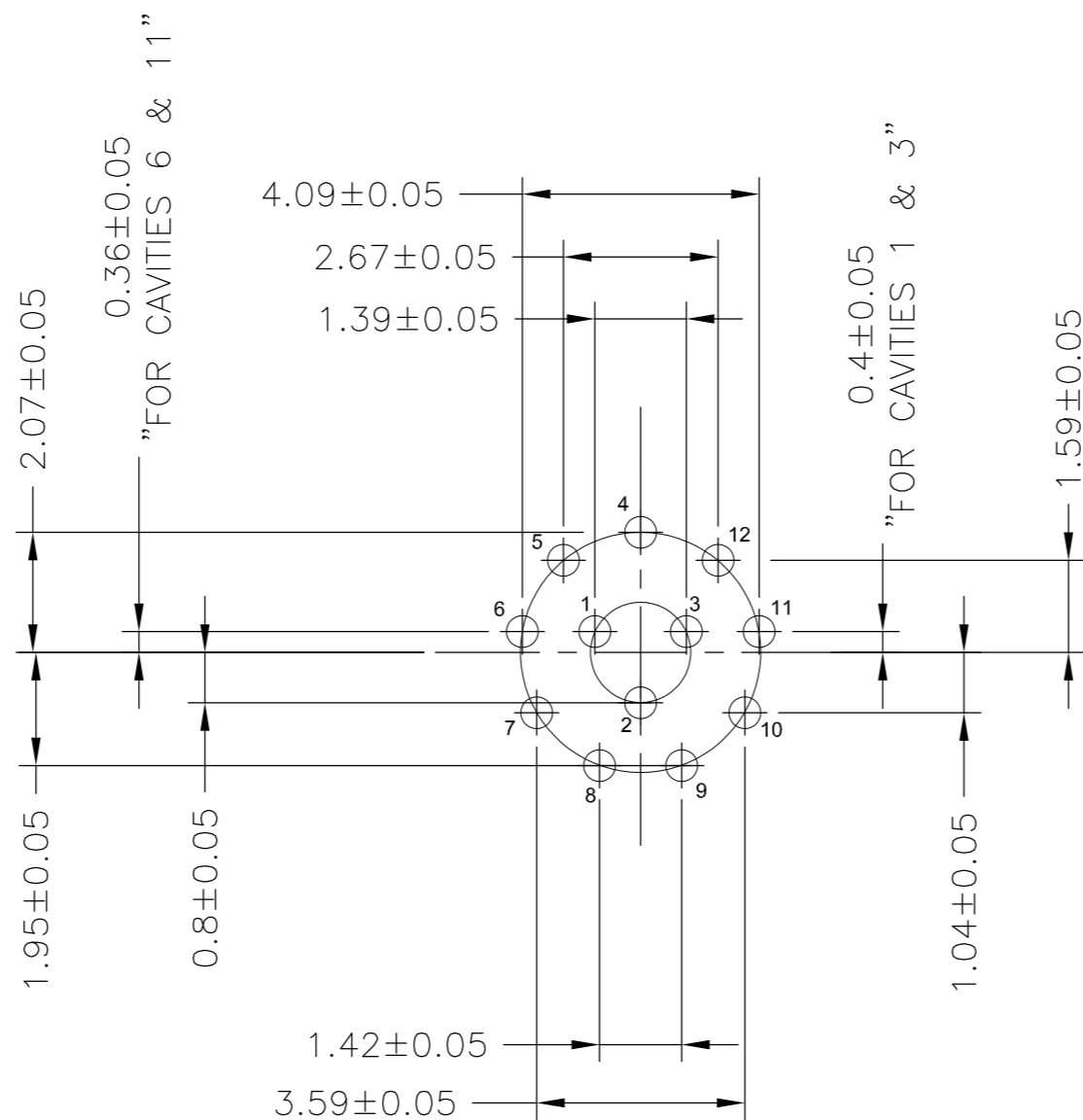
LOC		DIST		REVISIONS			
P	LTR	DESCRIPTION	DATE	DWN	APVD		
C		REVISED PER ECO 13-001843.	08FEB2013	MGM	CT		



SINGLE POLARIZATION



DOUBLE POLARIZATION



PANEL CUTOUT

CAVITY IDENTIFICATION WHEN VIEWED FROM MATING FACE OF CONNECTOR

- 1. DWV RATING: 725 VAC @ SEA LEVEL
- 2. WORKING TEMPERATURE: -55°C ~ +125°C

3 MATERIAL:  
 CONTACT : COPPER ALLOY  
 SHELL : COPPER ALLOY  
 INSULATOR : PEEK  
 O RING : SILICONE RUBBER

4 FINISH  
 CONTACT: GOLD OVER NICKEL  
 SHELL : BLACK CHROMIUM

- 5. WATER PROOF: 1M IMMERSION

6 THE CONNECTOR IS MARKED WITH TE PART NUMBER, CHINA, DATE CODE, AND LOT ID.

7 ALL TOLERANCES ±0.20 UNLESS NOTED.

CHROMIUM-BLACK	DOUBLE	SOLDERING	2.54	∅0.5	15.45	∅14	M14X1	∅18	2	2157538-2
CHROMIUM-BLACK	SINGLE	SOLDERING	2.54	∅0.5	15.45	∅14	M14X1	∅18	2	2157538-1
FINISH	POLARIZATION	TERMINATION	N	d	L	T	M THREAD	D	SHELL SIZE	TE CONNECTIVITY PART NUMBER

THIS DRAWING IS A CONTROLLED DOCUMENT.

DWN	C.C THOMAS	05MAY2011
CHK	R. GROSS	05MAY2011
APVD	R. GROSS	05MAY2011
PRODUCT SPEC	108-127005	
APPLICATION SPEC		
WEIGHT	-	
CUSTOMER DRAWING		

TE Connectivity  
 CIRCULAR HD RECEPTACLE WITH SOCKET,  
 JAM NUT, FRONT MOUNTING, STRAIGHT PCB  
 12 POS.

SIZE	A2	CAGE CODE	00779	DRAWING NO	C=2157538	RESTRICTED TO	-
SCALE	NTS	SHEET	1 of 1	REV	C		

## X-ON Electronics

Largest Supplier of Electrical and Electronic Components

*Click to view similar products for [Standard Circular Connector](#) category:*

*Click to view products by [TE Connectivity](#) manufacturer:*

Other Similar products are found below :

[5M2530B10P](#) [600259N006](#) [600273N007](#) [6134-336-13149](#) [6134-337-11149](#) [6134-337-2390](#) [6134-341-17149](#) [6280-4SG-516](#) [6280-7SG-3DC](#)  
[6290](#) [6291A](#) [66200A-10](#) [680-SMG](#) [681-PMG](#) [CXS3102A14S2P](#) [CXS3102A181S](#) [7251-5SG-300](#) [7271-6SG-300](#) [7282-3PG-300-CH3](#) [75-](#)  
[474618-01S](#) [75-474618-04P](#) [75-474618-04S](#) [799539-000](#) [MI8-SE](#) [805-005-07NF11-19PC](#) [805-005-07NF15-7PA](#) [8280-4PG-516](#) [8280-7PG-](#)  
[519](#) [8282-5PG-519](#) [836783-1](#) [MP-4102-25P-C](#) [862256-1](#) [864019-2](#) [866857-1](#) [867865-1](#) [PT01SP-14-18P](#) [PT08P-14-5S](#) [PTSF06SE-14-12S](#)  
[120-1833-000](#) [QCM019PC2DC012B](#) [1-2069279-1](#) [121583-0217](#) [121667-0020](#) [129591AU](#) [1000B BULK](#) [RD10A16-19-P6CS051/1](#)  
[RD10A20-31-P8CS051/1](#) [RD16A14-12-S6CS051/2](#) [1301240290](#) [1301240347](#) [1301860202](#)