



Application Tooling > Insertion & Extraction Tools



Insertion & Extraction Tool Type: **Contact Extraction**

Insertion & Extraction Tool Application: **Contact-to-Wire**

Features

Product Type Features

Insertion & Extraction Tool Type	Contact Extraction
Insertion & Extraction Tool Application	Contact-to-Wire

Product Compliance

[For compliance documentation, visit the product page on TE.com>](#)

EU RoHS Directive 2011/65/EU	Not Compliant
EU ELV Directive 2000/53/EC	Out of Scope
China RoHS 2 Directive MIIT Order No 32, 2016	Restricted Materials Above Threshold
EU REACH Regulation (EC) No. 1907/2006	Current ECHA Candidate List: JAN 2021 (211) Candidate List Declared Against: JUN 2020 (209) SVHC > Threshold: Pb (3% in Component Part) Article Safe Usage Statements: Do not eat, drink or smoke when using this product. Wash thoroughly after handling. Recycle if possible and dispose of the article by following all applicable governmental regulations relevant to your geographic location.
Halogen Content	Low Halogen - Br, Cl, F, I < 900 ppm per homogenous material. Also BFR/CFR/PVC Free
Solder Process Capability	Not applicable for solder process capability

Product Compliance Disclaimer

This information is provided based on reasonable inquiry of our suppliers and represents our current actual knowledge based on the information they provided. This information is subject to change. The part numbers that TE has identified as EU RoHS compliant have a maximum concentration of 0.1% by weight in homogenous materials for lead, hexavalent chromium, mercury, PBB, PBDE, DBP, BBP, DEHP, DIBP, and 0.01% for cadmium, or qualify for an exemption to these limits as defined in the Annexes of Directive 2011/65/EU (RoHS2). Finished electrical and electronic equipment products

will be CE marked as required by Directive 2011/65/EU. Components may not be CE marked. Additionally, the part numbers that TE has identified as EU ELV compliant have a maximum concentration of 0.1% by weight in homogenous materials for lead, hexavalent chromium, and mercury, and 0.01% for cadmium, or qualify for an exemption to these limits as defined in the Annexes of Directive 2000/53/EC (ELV). Regarding the REACH Regulation, the information TE provides on SVHC in articles for this part number is based on the latest European Chemicals Agency (ECHA) 'Guidance on requirements for substances in articles' posted at this URL: <https://echa.europa.eu/guidance-documents/guidance-on-reach>

Compatible Parts



TE Part # CAT-R7602-T273
ROUND CONNECTOR SYSTEM, PIN AND SOCKET



TE Part # 1703420-5
DIA 4MM CON



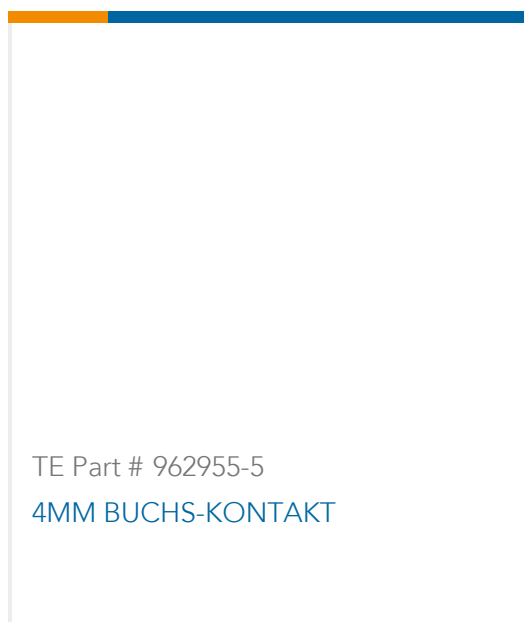
TE Part # 3-965867-1
ABS4MM BU REPAR-KIT



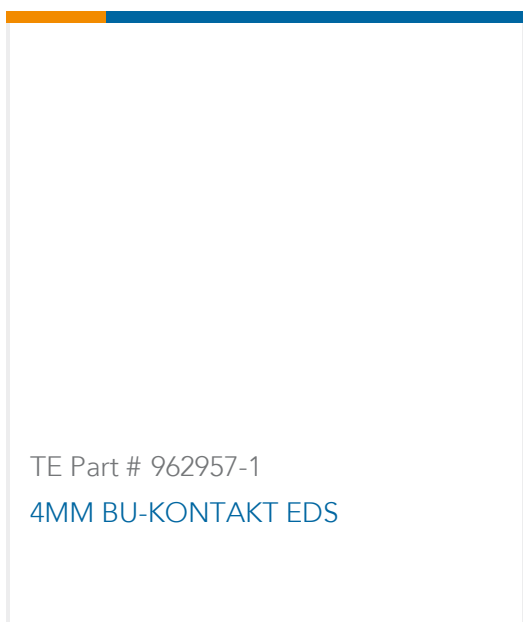
TE Part # 962953-1
4MM SOCKET CONTACT SWS LOOSE PIECE



TE Part # 962955-1
4MM SOCK.CONT.(LP)



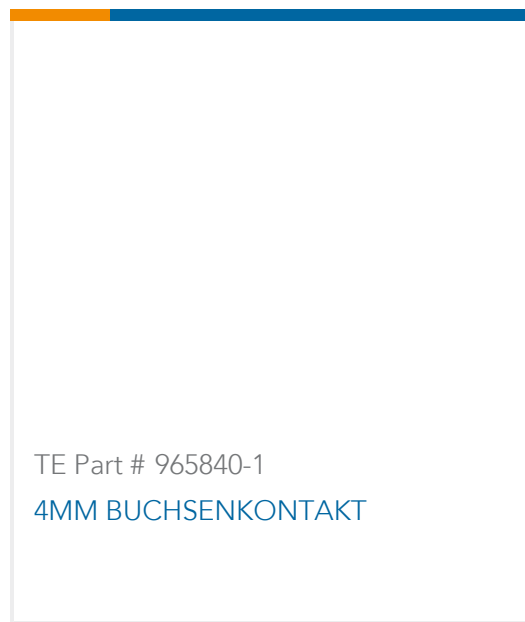
TE Part # 962955-5
4MM BUCHS-KONTAKT



TE Part # 962957-1
4MM BU-KONTAKT EDS



TE Part # 962957-2
4MM BU-KONTAKT EDS



TE Part # 965840-1
4MM BUCHSENKONTAKT



TE Part # 965867-1
4MM SOCKET CONTACT



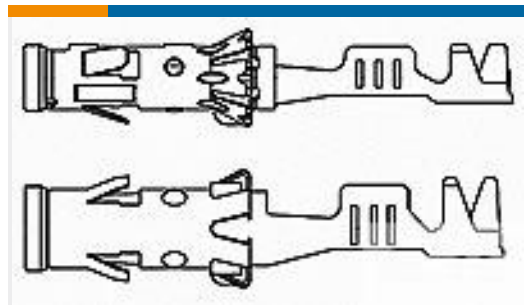
TE Part # 965868-1
4MM SOCKET CONTACT



TE Part # 962955-2
4MM RECEPTACLE CONTACT SWS (1,0-2,5MM?)



TE Part # 1703420-2
DIA 4MM CON



TE Part # 6-962952-6
4MM BUCHS-KONTAKT

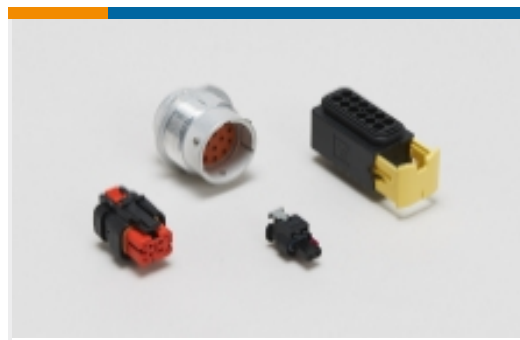


TE Part # 962953-2
4MM SOCKET CONTACT SWS

Also in the Series | Round Connector System



Automotive Connector Caps & Covers (5)



Automotive Housings(16)



Automotive Seals & Cavity Plugs(3)



Automotive Terminals(77)

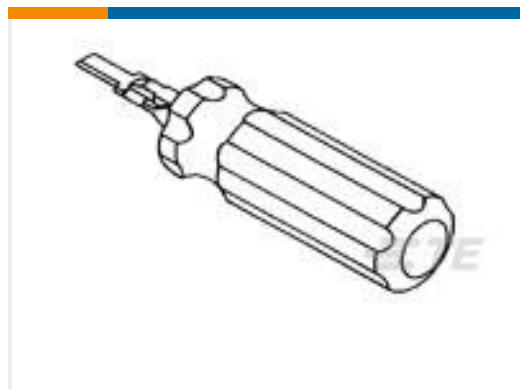


Insertion & Extraction Tools(8)

Customers Also Bought



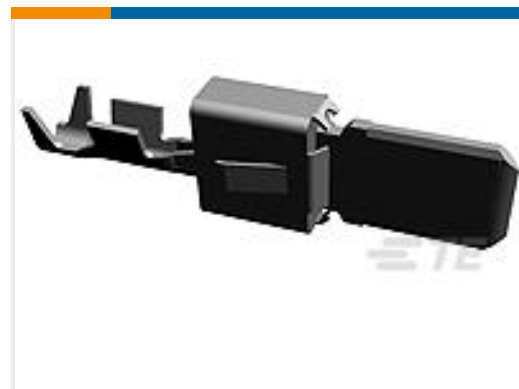
TE Part #SRK06-FLA-64A-001
PLG, 64P, BLK, E, A



TE Part #1276565-1
EXTRACTION TOOL FOR .025 REC



TE Part #1-967628-4
FLACHSTE-GEH2,8 15P



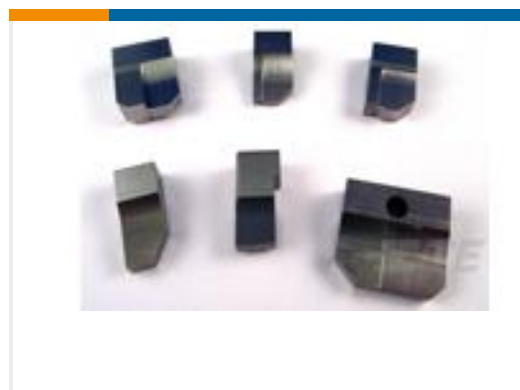
TE Part #1-963734-1
TAB 5.8x0.8 CONTACT CS SRC Sn



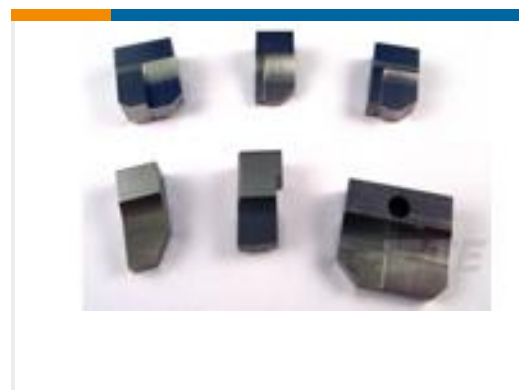
TE Part #1-963540-1
18pos MQS .63 header 180deg



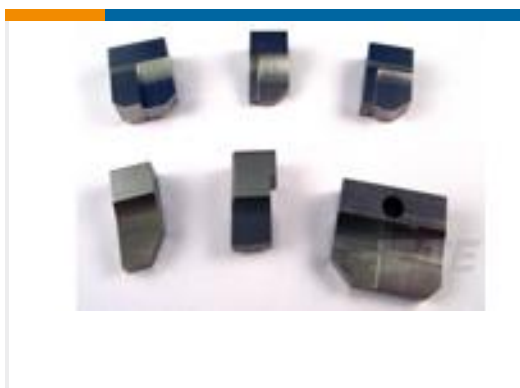
TE Part #1379118-2
6POS MQS TAB



TE Part #1333204-4
ANVIL



TE Part #1333204-5
ANVIL,COMBINATION .080



TE Part #1333205-4
ANVIL, COMBINATION (.090)



TE Part #1366865-1
EXT-TOOL FOR 025 TAB

Documents



Datasheets & Catalog Pages

[Crimp Term Whitepaper-Use the Right Tool 1-1773953-1](#)

English

[CRIMPING WHERE FORM MEETS FUNCTION](#)

English

[Insertion-Extraction-Tool-2345721-1](#)

English

X-ON Electronics

Largest Supplier of Electrical and Electronic Components

Click to view similar products for [Extraction, Removal & Insertion Tools](#) category:

Click to view products by [TE Connectivity](#) manufacturer:

Other Similar products are found below :

[M8196914-08](#) [768211-2](#) [809-131](#) [844751-2](#) [8-59558-2](#) [91018-1](#) [12014013](#) [12093647](#) [1-21048-0](#) [R282867020](#) [12093078](#) [1-21048-6](#)
[12121897](#) [DCF.91.405.5LT](#) [1322](#) [15314260](#) [15313892](#) [15350698](#) [15350707](#) [15430130](#) [1579018-4](#) [1643916-1](#) [1-679532-0](#) [1976593-3](#)
[OUTEXT-0321](#) [2-1579008-3](#) [2-1579008-4](#) [229694-7](#) [231106-1](#) [241469](#) [91040-3](#) [91040-7](#) [965004-000](#) [965069-000](#) [1738219-1](#) [ET-JL05-16](#)
[FG 0300 146 3000](#) [FIT-6](#) [210S048](#) [2-1579007-9](#) [231879-1](#) [312138-3](#) [RJ11FODE](#) [356-162](#) [M8196914-10](#) [4-1579018-0](#) [430395-001](#) [483249-](#)
[1](#) [5-1579007-2](#) [5-1579007-9](#)