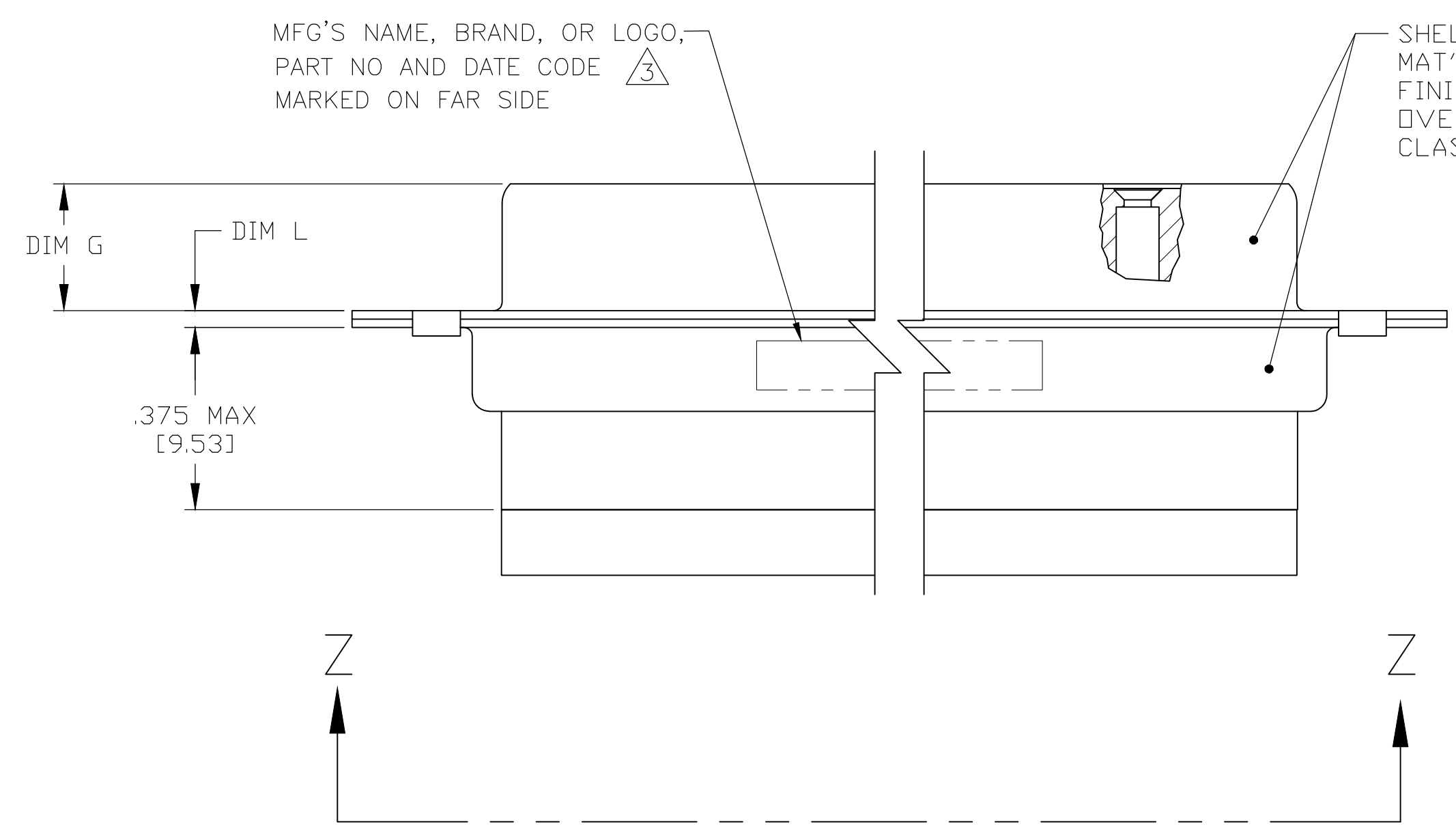
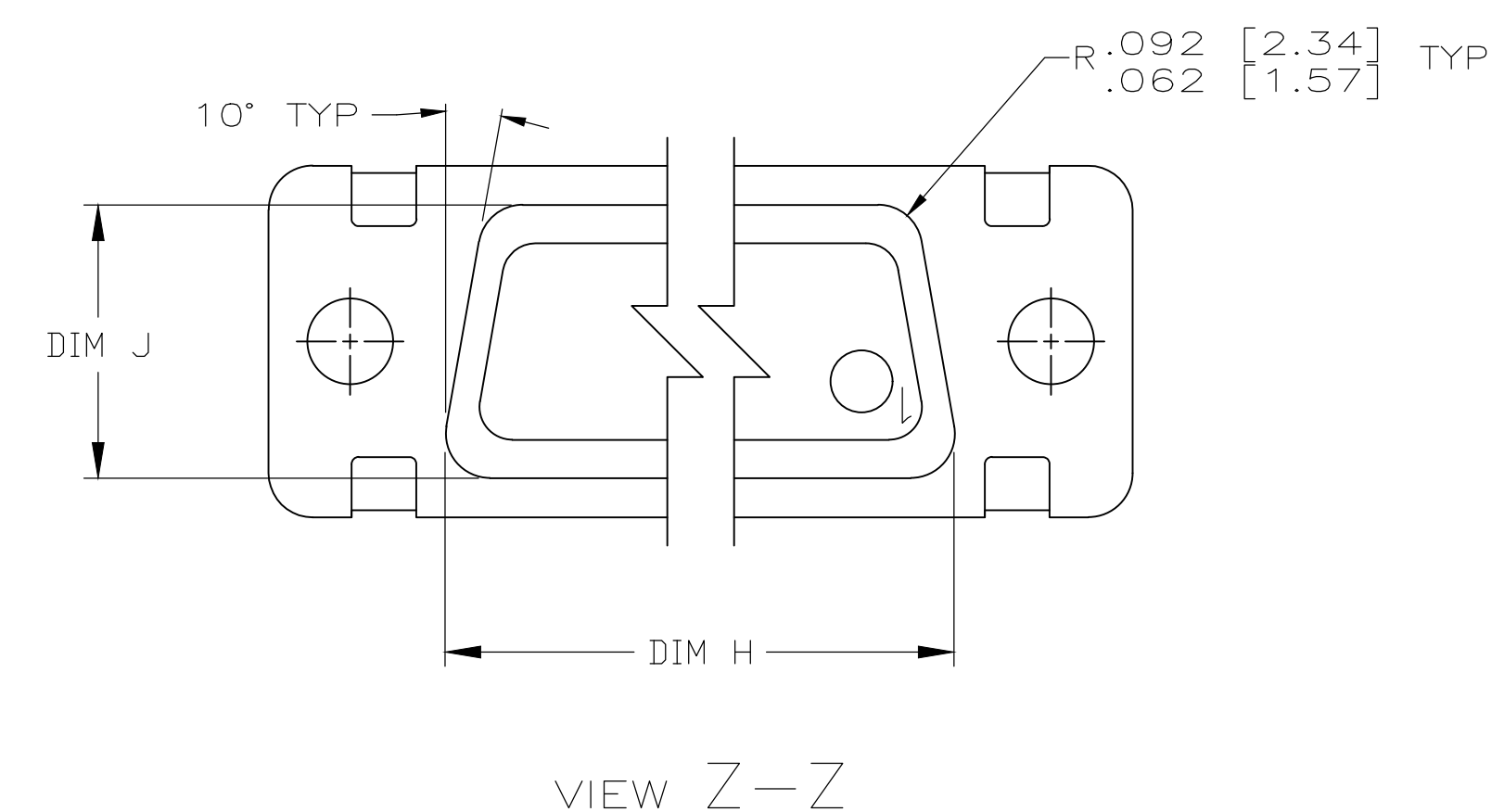
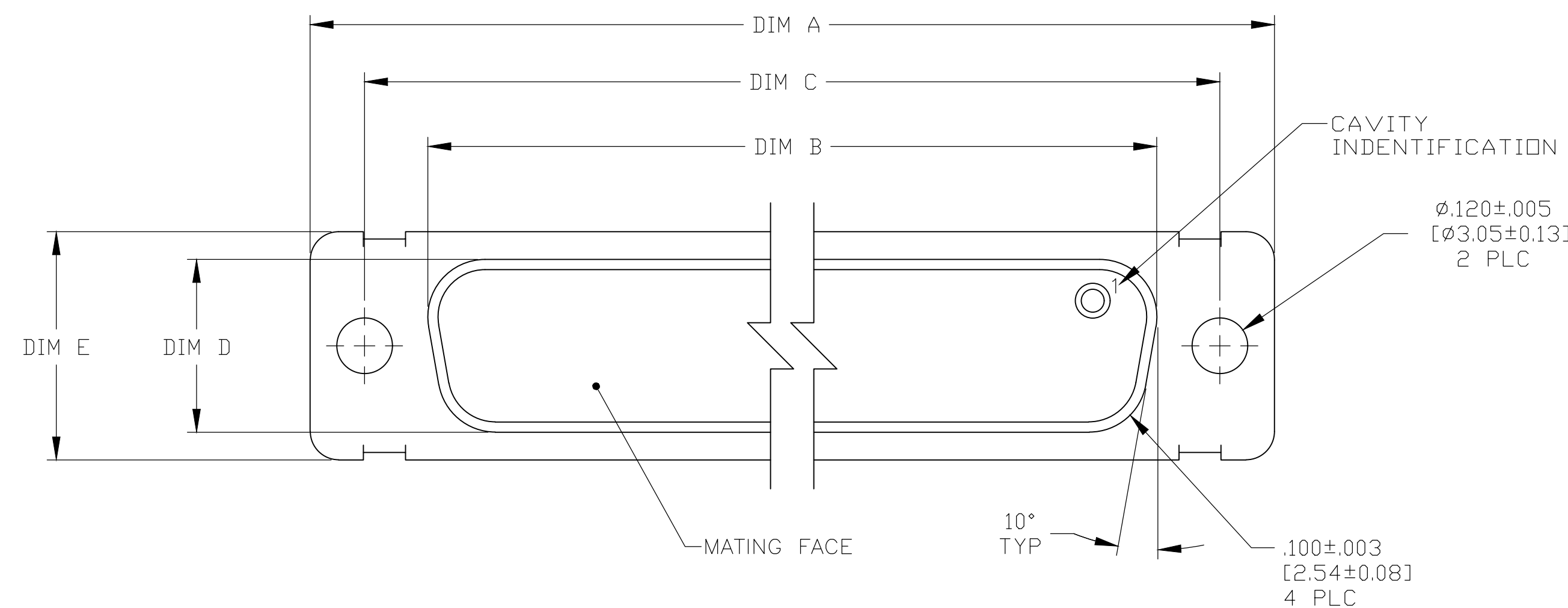
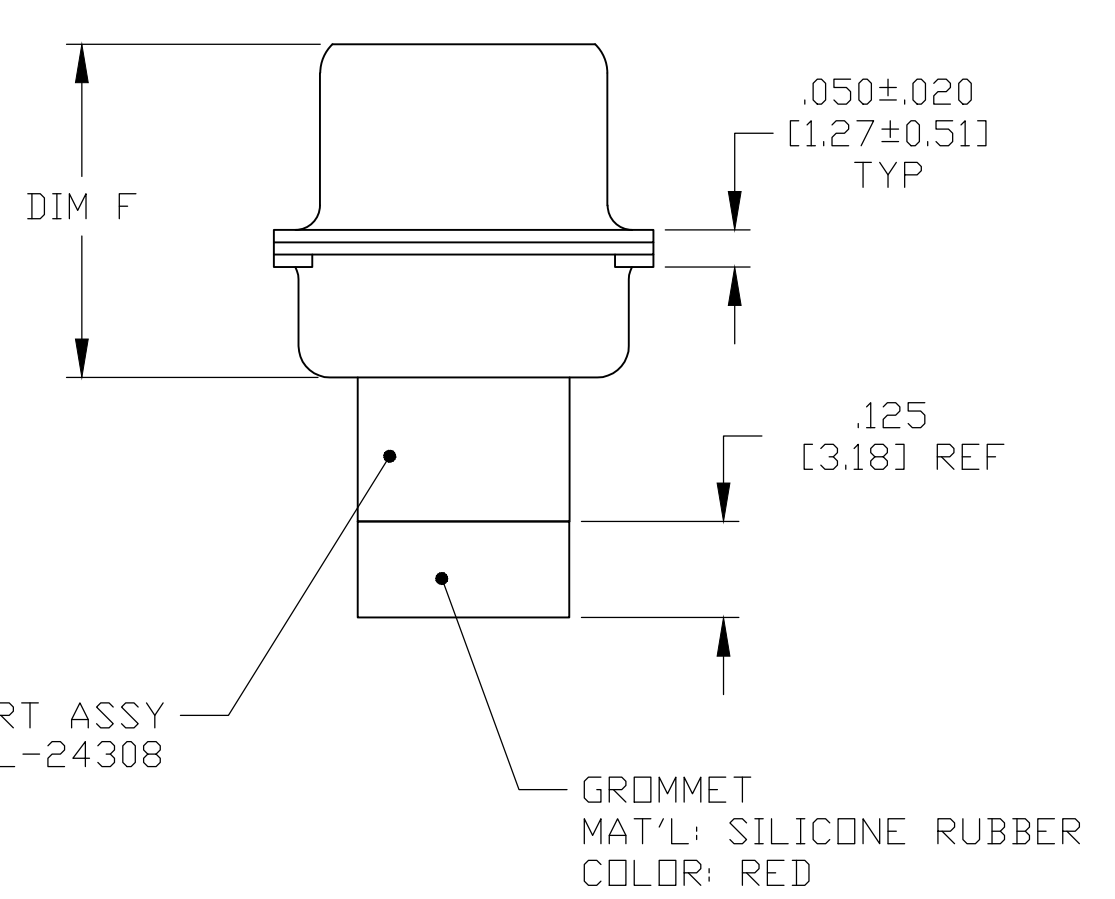


REVISIONS				
REV	DATE	BY	APP'D	DESCRIPTION
G	8-5-19	CT	DM	REV PER ECO 19-010821



SHELL, FRONT & REAR, CLASS 0 & 1
 MAT'L: BRASS PER ASTM-B36
 FINISH: PLATED GOLD PER MIL-DTL-45204
 OVER COPPER .000100 MIN PER AMS 2418
 CLASS 2: SEE SHEET #2



INSERT ASSY
 MAT'L: PER MIL-DTL-24308

GROMMET
 MAT'L: SILICONE RUBBER
 COLOR: RED

- THIS CONNECTOR ASSEMBLY IS SUPPLIED WITH Be Cu CONTACT RETENTION CLIPS INSTALLED IN THE INSERT ASSEMBLY.
- THIS CONNECTOR ASSEMBLY MATES WITH ANY PLUG CONNECTOR WITH THE SAME INSERT ARRANGEMENT AND DIMENSIONAL REQUIREMENTS PER MIL-C-24308.
- MARKED WITH .047 [1.19]-.062 [1.57] HIGH CHARACTERS. FAR SIDE REFERS TO THE WIDE SIDE OF THE KEYSTONE. NEAR SIDE REFERS TO THE NARROW SIDE OF THE KEYSTONE. IF PART IS TOO SMALL TO FIT ALL MARKING ON REAR SHELL, FAR SIDE, TE AND DATE CODE MARKED ON NEAR SIDE AND TE PART NO. MARKED ON FAR SIDE OF REAR SHELL.
- MAXIMUM WIRE INSULATION TO BE USED WITH THIS CONNECTOR ASSEMBLY IS .072 [1.83] DIAMETER.
- CLASS 0 REQUIREMENTS:
 100% INSPECTION REQUIRED:
 A. VISUAL
 B. DWV
 C. IR
 SINGLE LOT DATE CODE REQUIRED.
 SPECIAL REQUIREMENTS:
 A. TEST TWO CONNECTORS PER LOT FOR COMPLIANCE TO GROMMET PEEL STRENGTH REQUIREMENTS.
 B. TEST ALL CIRCUIT CAVITIES FOR MISALIGNMENT OR EXCESSIVE ADHESIVE.
- CLASS 1 REQUIREMENTS:
 SAME AS CLASS 0 REQUIREMENTS PLUS:
 NASA EEE-INST-002 SECTION C2 SCREENING, AS APPLICABLE
 PPS INSERTS PER MIL-DTL-24308
 THERMAL VACUUM BAKEOUT.
- CLASS 2 REQUIREMENTS: SEE SHEET #2
 SAME AS CLASS 1 REQUIREMENTS:
 EXCEPT SHELL MATERIAL: ALUMINUM 6061-T6
 SHELL FINISH: CHEM FILM

CLASS CODE	L	J	H	G	F	E	D	C	B	A	INSERT ARRANGEMENT	NO OF POS	SHELL SIZE	MFG'S P/N ON CONNECTOR	PART NUMBER
7	.049 [1.24] .029 [0.74]	.556 [14.12] .544 [13.82]	2.195 [55.57] 2.183 [55.45]	.248 [6.30] .238 [6.05]	.539 [13.69] .519 [13.18]	.620 [15.75] .590 [14.99]	.428 [10.87] .418 [10.62]	2.411 [61.24] 2.401 [60.99]	2.069 [52.55] 2.059 [52.30]	2.650 [67.31] 2.620 [66.55]	MS18277-1	50	5	1-2157917-5	1-2157917-5
7	.049 [1.24] .029 [0.74]	.444 [11.28] .432 [10.97]	2.290 [58.16] 2.278 [57.86]	.248 [6.30] .238 [6.05]	.539 [13.69] .519 [13.18]	.509 [12.93] .479 [12.17]	.316 [8.03] .306 [7.77]	2.505 [63.63] 2.495 [63.37]	2.164 [54.97] 2.154 [54.71]	2.744 [69.70] 2.714 [68.94]	MS18276-1	37	4	1-2157917-4	1-2157917-4
7	.040 [1.02] .020 [0.51]	.444 [11.28] .432 [10.97]	1.642 [41.71] 1.630 [41.40]	.248 [6.30] .238 [6.05]	.539 [13.69] .519 [13.18]	.509 [12.93] .479 [12.17]	.316 [8.03] .306 [7.77]	1.857 [47.17] 1.847 [46.91]	1.516 [38.51] 1.506 [38.25]	2.103 [53.42] 2.073 [52.65]	MS18275-1	25	3	1-2157917-3	1-2157917-3
7	.040 [1.02] .020 [0.51]	.444 [11.28] .432 [10.97]	1.100 [27.94] 1.088 [27.63]	.248 [6.30] .238 [6.05]	.539 [13.69] .519 [13.18]	.509 [12.93] .479 [12.17]	.316 [8.03] .306 [7.77]	1.317 [33.45] 1.307 [33.20]	.976 [24.79] .966 [24.54]	1.556 [39.52] 1.526 [38.76]	MS18274-1	15	2	1-2157917-2	1-2157917-2
7	.040 [1.02] .020 [0.51]	.444 [11.28] .432 [10.97]	.776 [19.71] .764 [19.41]	.248 [6.30] .238 [6.05]	.539 [13.69] .519 [13.18]	.509 [12.93] .479 [12.17]	.316 [8.03] .306 [7.77]	.989 [25.12] .979 [24.87]	.648 [16.46] .638 [16.21]	1.228 [31.19] 1.198 [30.43]	MS18273-1	9	1	1-2157917-1	1-2157917-1
6	.049 [1.24] .029 [0.74]	.544 [13.82] .524 [13.31]	2.188 [55.58] 2.168 [55.07]	.248 [6.30] .238 [6.05]	.439 [11.15] .419 [10.64]	.620 [15.75] .590 [14.99]	.428 [10.87] .418 [10.62]	2.411 [61.24] 2.401 [60.99]	2.069 [52.55] 2.059 [52.30]	2.650 [67.31] 2.620 [66.55]	MS18277-1	50	5	1-2157917-0	1-2157917-0
6	.049 [1.24] .029 [0.74]	.432 [10.97] .412 [10.46]	2.282 [57.96] 2.262 [57.45]	.248 [6.30] .238 [6.05]	.439 [11.15] .419 [10.64]	.509 [12.93] .479 [12.17]	.316 [8.03] .306 [7.77]	2.505 [63.63] 2.495 [63.37]	2.164 [54.97] 2.154 [54.71]	2.744 [69.70] 2.714 [68.94]	MS18276-1	37	4	2157917-9	2157917-9
6	.040 [1.02] .020 [0.51]	.432 [10.97] .412 [10.46]	1.635 [41.53] 1.615 [41.02]	.248 [6.30] .238 [6.05]	.439 [11.15] .419 [10.64]	.509 [12.93] .479 [12.17]	.316 [8.03] .306 [7.77]	1.857 [47.17] 1.847 [46.91]	1.516 [38.51] 1.506 [38.25]	2.103 [53.42] 2.073 [52.65]	MS18275-1	25	3	2157917-8	2157917-8
6	.040 [1.02] .020 [0.51]	.432 [10.97] .412 [10.46]	1.093 [27.76] 1.073 [27.25]	.248 [6.30] .238 [6.05]	.439 [11.15] .419 [10.64]	.509 [12.93] .479 [12.17]	.316 [8.03] .306 [7.77]	1.317 [33.45] 1.307 [33.20]	.976 [24.79] .966 [24.54]	1.556 [39.52] 1.526 [38.76]	MS18274-1	15	2	2157917-7	2157917-7
6	.040 [1.02] .020 [0.51]	.432 [10.97] .412 [10.46]	.769 [19.53] .749 [19.02]	.248 [6.30] .238 [6.05]	.439 [11.15] .419 [10.64]	.509 [12.93] .479 [12.17]	.316 [8.03] .306 [7.77]	.989 [25.12] .979 [24.87]	.648 [16.46] .638 [16.21]	1.228 [31.19] 1.198 [30.43]	MS18273-1	9	1	2157917-6	2157917-6
5	.049 [1.24] .029 [0.74]	.544 [13.82] .524 [13.31]	2.188 [55.58] 2.168 [55.07]	.248 [6.30] .238 [6.05]	.439 [11.15] .419 [10.64]	.620 [15.75] .590 [14.99]	.428 [10.87] .418 [10.62]	2.411 [61.24] 2.401 [60.99]	2.069 [52.55] 2.059 [52.30]	2.650 [67.31] 2.620 [66.55]	MS18277-1	50	5	2157917-5	2157917-5
5	.049 [1.24] .029 [0.74]	.432 [10.97] .412 [10.46]	2.282 [57.96] 2.262 [57.45]	.248 [6.30] .238 [6.05]	.439 [11.15] .419 [10.64]	.509 [12.93] .479 [12.17]	.316 [8.03] .306 [7.77]	2.505 [63.63] 2.495 [63.37]	2.164 [54.97] 2.154 [54.71]	2.744 [69.70] 2.714 [68.94]	MS18276-1	37	4	2157917-4	2157917-4
5	.040 [1.02] .020 [0.51]	.432 [10.97] .412 [10.46]	1.635 [41.53] 1.615 [41.02]	.248 [6.30] .238 [6.05]	.439 [11.15] .419 [10.64]	.509 [12.93] .479 [12.17]	.316 [8.03] .306 [7.77]	1.857 [47.17] 1.847 [46.91]	1.516 [38.51] 1.506 [38.25]	2.103 [53.42] 2.073 [52.65]	MS18275-1	25	3	2157917-3	2157917-3
5	.040 [1.02] .020 [0.51]	.432 [10.97] .412 [10.46]	1.093 [27.76] 1.073 [27.25]	.248 [6.30] .238 [6.05]	.439 [11.15] .419 [10.64]	.509 [12.93] .479 [12.17]	.316 [8.03] .306 [7.77]	1.317 [33.45] 1.307 [33.20]	.976 [24.79] .966 [24.54]	1.556 [39.52] 1.526 [38.76]	MS18274-1	15	2	2157917-2	2157917-2
5	.040 [1.02] .020 [0.51]	.432 [10.97] .412 [10.46]	.769 [19.53] .749 [19.02]	.248 [6.30] .238 [6.05]	.439 [11.15] .419 [10.64]	.509 [12.93] .479 [12.17]	.316 [8.03] .306 [7.77]	.989 [25.12] .979 [24.87]	.648 [16.46] .638 [16.21]	1.228 [31.19] 1.198 [30.43]	MS18273-1	9	1	2157917-1	2157917-1

THIS DRAWING IS A CONTROLLED DOCUMENT.

DIMENSIONS: INCHES [mm]

TOLERANCES UNLESS OTHERWISE SPECIFIED:

0 PLC	± .005
1 PLC	± .003
2 PLC	± .002
3 PLC	± .001
4 PLC	± .0005

ANGLES: ± 1°

MATERIAL: SEE CALLOUTS

FINISH: SEE CALLOUTS

WEIGHT: 0.000000

CUSTOMER DRAWING

DATE: 2-13-12

BY: C.C. THOMAS

CHK: R. LEASE

DATE: 2-13-12

NAME: AMPLIMITE NONMAGNETIC RECEPTACLE ASSY WITH GROMMETS, SERIES 109.

SIZE: A1

CAGE CODE: 00779

DRAWING NO: 2157917

RESTRICTED TO: -

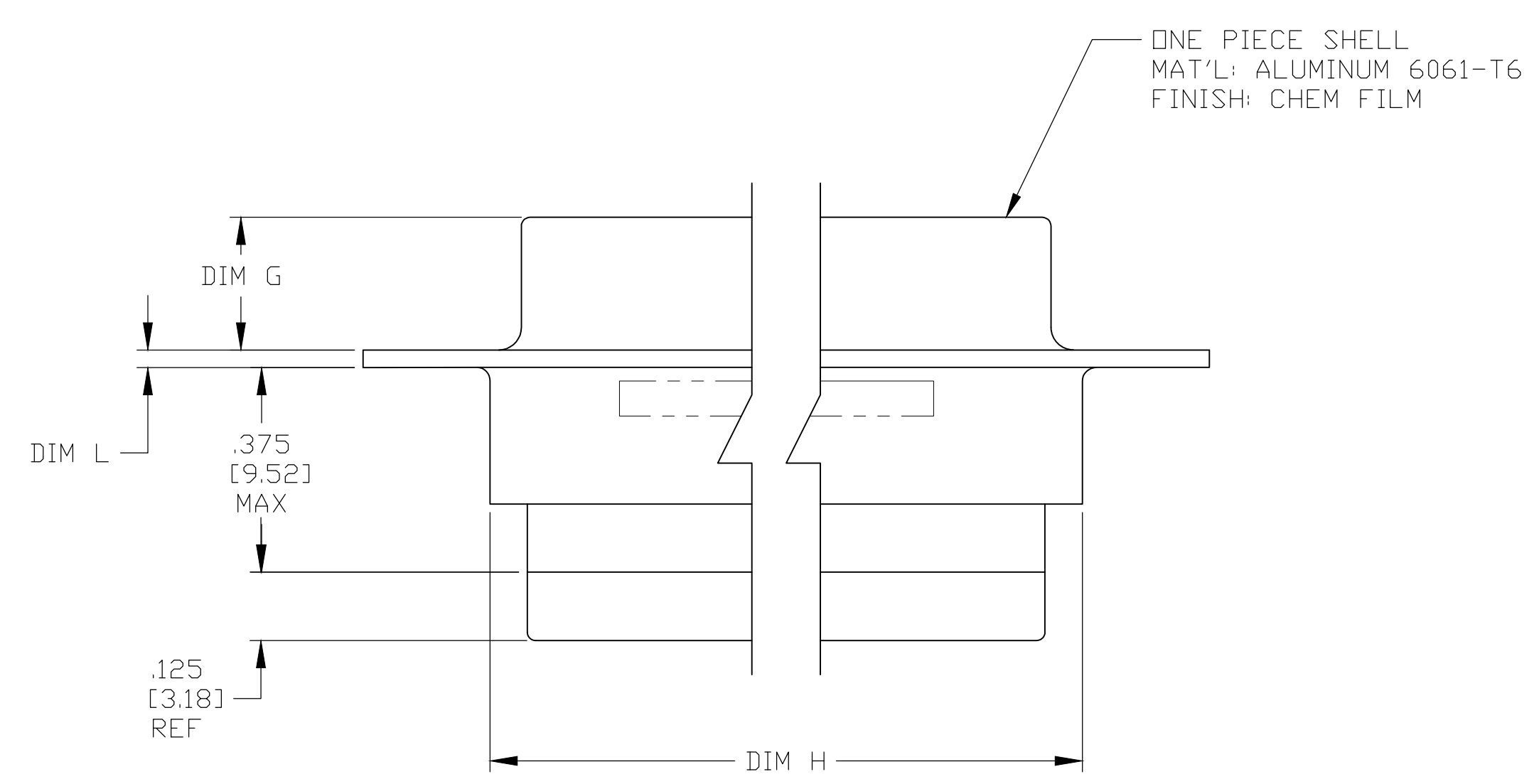
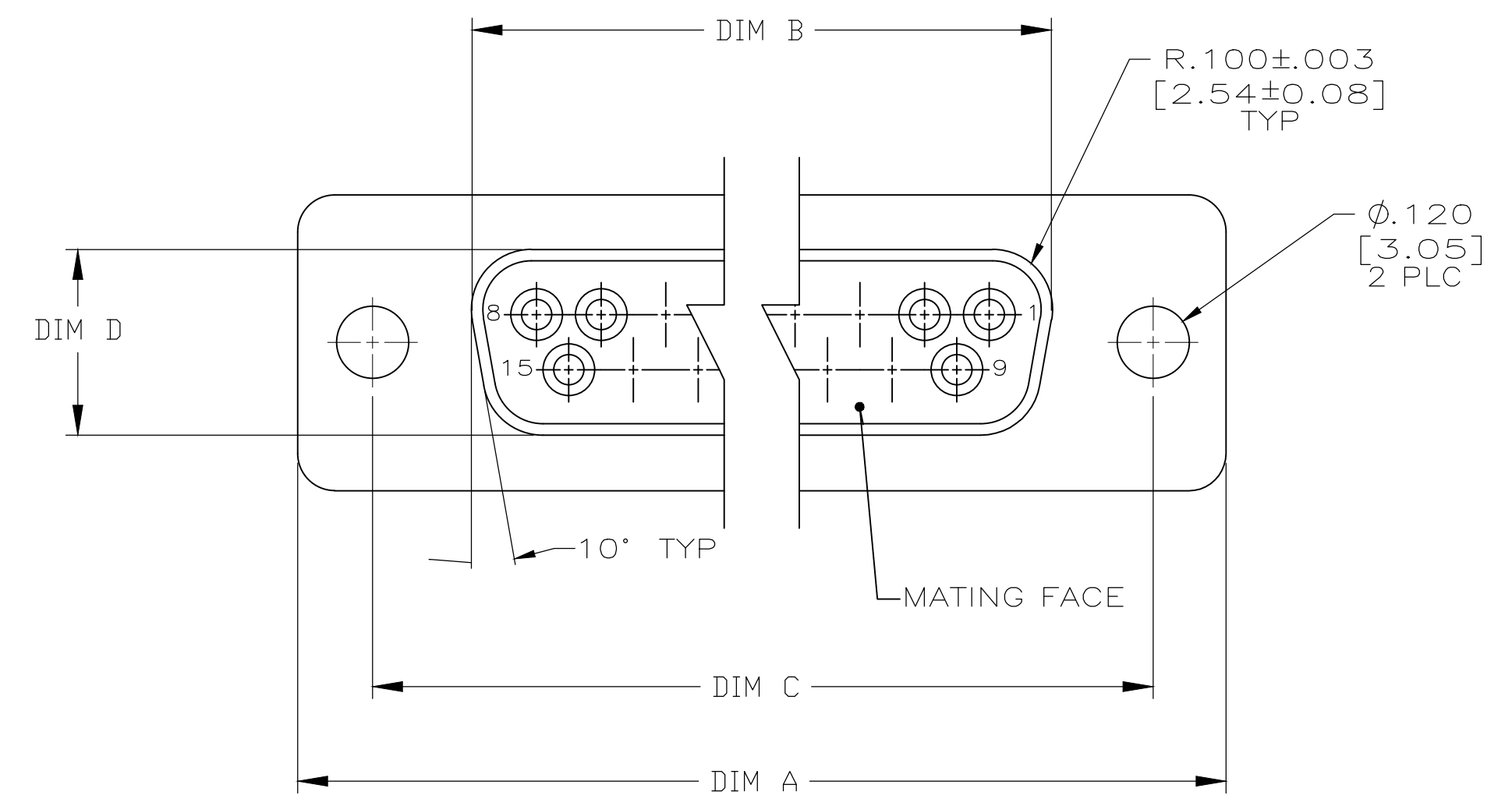
SCALE: 4:1

SHEET: 1 OF 2

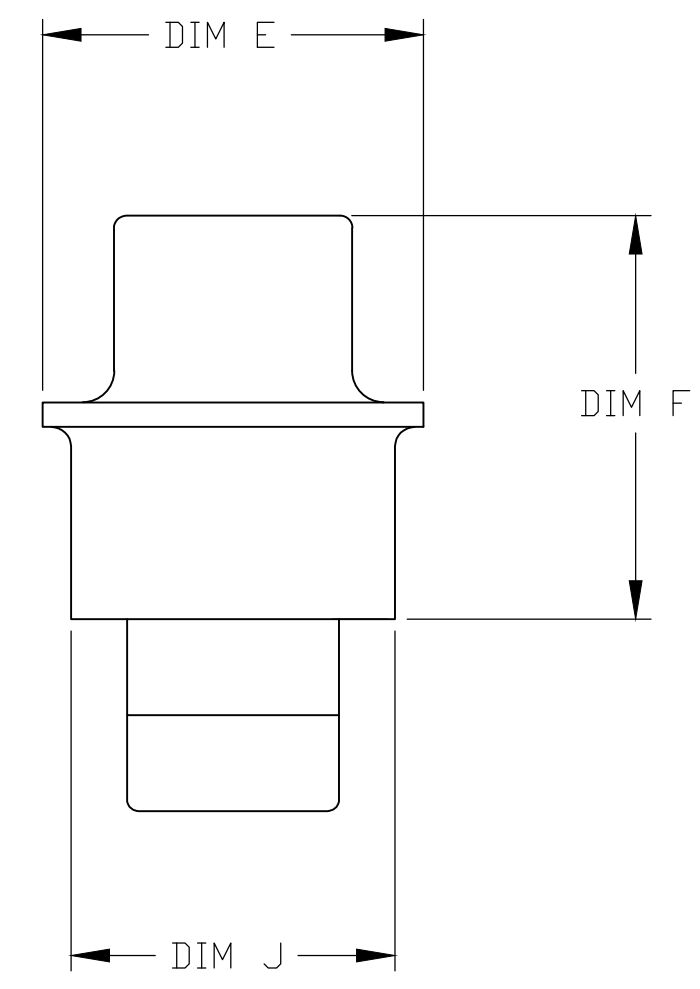
REV: G

STE TE Connectivity

REVISIONS					
P	LTR	DESCRIPTION	DATE	DMN	APVD
-	-	SEE SHEET 1	-	-	-



ONE PIECE SHELL
 MAT'L: ALUMINUM 6061-T6
 FINISH: CHEM FILM



THIS DRAWING IS A CONTROLLED DOCUMENT.		DIN C.C.THOMAS 2-13-12	TE Connectivity	
DIMENSIONS: INCHES [mm]		CHK 2-13-12		
TOLERANCES UNLESS OTHERWISE SPECIFIED:		APVD RELEASE 2-13-12	NAME AMPLIMITE NONMAGNETIC RECEPTACLE ASSY WITH GROMMETS, SERIES 109.	
0 PLC ± - 1 PLC ± - 2 PLC ± - 3 PLC ± .003 [0.13] 4 PLC ± - ANGLES ± ± 1°		APPLICATION SPEC	RESTRICTED TO	
MATERIAL SEE CALLOUTS		FINISH SEE CALLOUTS	WEIGHT 0.000000	SIZE A1
CUSTOMER DRAWING		SCALE 4:1	SHEET 2 OF 2	REV G

X-ON Electronics

Largest Supplier of Electrical and Electronic Components

Click to view similar products for [D-Sub Standard Connectors](#) category:

Click to view products by [TE Connectivity](#) manufacturer:

Other Similar products are found below :

[DCM37S732N](#) [DAM15P500](#) [DEV09S364GTLF](#) [DEM09P032N](#) [DDM50P732N](#) [DAM15S332N](#) [173109-2218](#) [173109-2466](#) [173109-2436](#)
[173109-2435](#) [56F706-005-LI](#) [56F711-015](#) [015-0341-000](#) [015-0372-008](#) [015-8544-011](#) [017041-0005](#) [020419-0104](#) [012-0515-000](#) [012-9507-](#)
[034](#) [012-9507-114](#) [012-9534-001](#) [020745-0008](#) [609-25P](#) [M24308/2-23Z](#) [M243082310F](#) [M243082410F](#) [M243082411F](#) [M24308/4-21](#)
[CT1A18-11PSA206](#) [CT1N36-5SC](#) [CT2-16S-17PS](#) [CT2-20-15PCAU](#) [CT2-24-12PS](#) [CT2-24-28PSF127A206](#) [CT2-32-9PC](#) [CT6F9767-14-4-](#)
[14S-5PC](#) [CT6FA10SL-4PS](#) [CT7-18-10SC](#) [CT7-18-10SCAU](#) [CT7-18-12SCAU](#) [CT7-18-1PC](#) [CT7-18-1PCAU](#) [CT7-18-21SCAU](#) [M83513/01-](#)
[FC](#) [M83723/76W24619 L/C](#) [M85049/48-3-2F](#) [69001-865](#) [6STD09PCM99B70X](#) [6STD09SCM99B30X](#) [6STD09SCT99S40X](#)