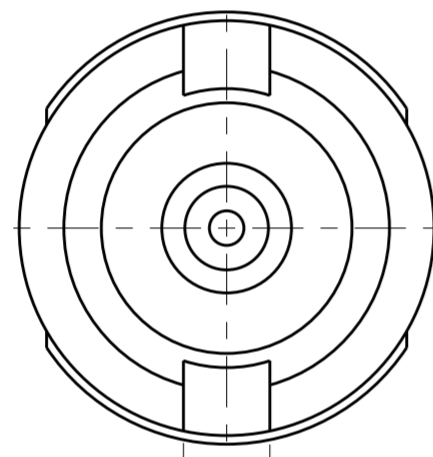


THIS DRAWING IS UNPUBLISHED.		RELEASED FOR PUBLICATION	20
© COPYRIGHT 20 BY -		ALL RIGHTS RESERVED.	
COMPONENT	MATERIAL	FINISH	
CABLE HOUSING	STAINLESS STEEL PER 100-222-2	GOLD PLATED PER MIL-G-45204 OVER NICKEL PLATE PER QQ-N-290	
PANEL HOUSING	STAINLESS STEEL PER 100-222-2	PASSIVATE	
DIELECTRIC	PTFE FLUORCARBON PER ASTM-D-1457	NONE	
CENTER CONTACT	BERYLLIUM COPPER PER ASTM-B-196 OR 197 ALLOY C17300, COND H	GOLD PLATED PER MIL-G-45204 OVER NICKEL PLATE PER QQ-N-290	

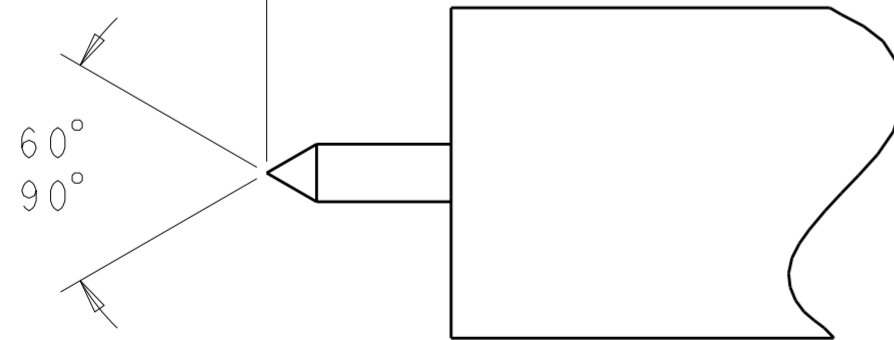
LOC	DIST	REVISIONS			
P	LTR	DESCRIPTION	DATE	DWN	APVD
-	-	A	RELEASED PER ECO-12-014852	15AUG2012	RJM3 WM

1. SMPM SMOOTH BORE INTERFACE PER MIL-STD-348A

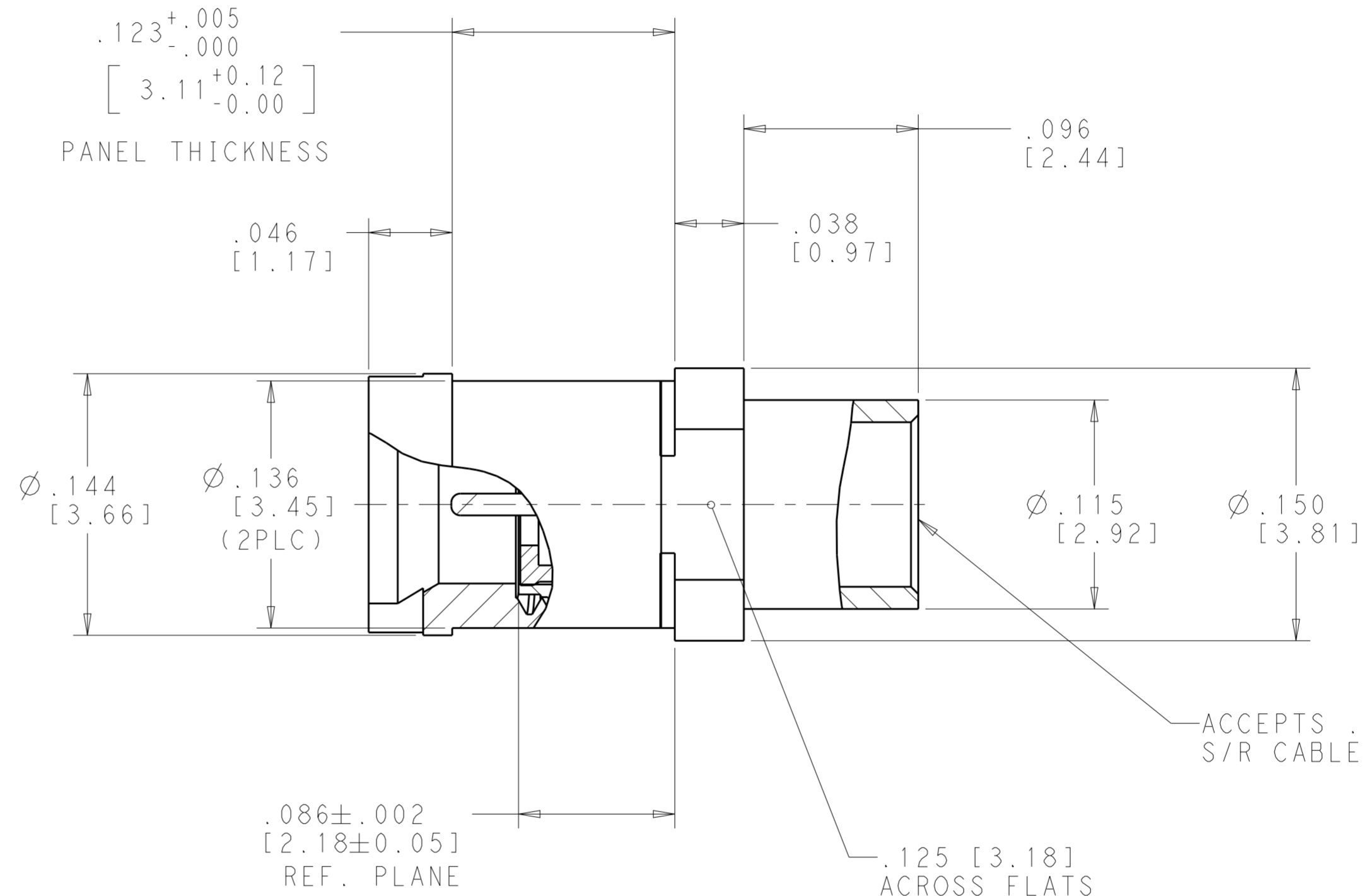


.030
[0.76]
DRIVER
SLOT

.048
[1.22]



RECOMMENDED CABLE
STRIP LENGTHS



2157998-1

PART NUMBER

THIS DRAWING IS A CONTROLLED DOCUMENT.		DWN RJM3	05APR2012	 TE Connectivity
DIMENSIONS: INCHES [mm]		CHK W. MOYER	05APR2012	
TOLERANCES UNLESS OTHERWISE SPECIFIED:		APVD W. MOYER	05APR2012	
0 PLC ± 1 PLC ±0.1 2 PLC ±0.02 3 PLC ±0.005 4 PLC ±0.0005 ANGLES ± FINISH		PRODUCT SPEC	-	
MATERIAL	-	APPLICATION SPEC	-	NAME SMPM, MALE, SMOOTH BORE, BULKHEAD MOUNT FOR .086 S/R CABLE
Customer Drawing		WEIGHT	-	SIZE A200779
SCALE 20:1		DRAWING NO C-2157998		RESTRICTED TO -
SHEET 1 OF 1		REV A		

X-ON Electronics

Largest Supplier of Electrical and Electronic Components

Click to view similar products for [TE Connectivity](#) manufacturer:

Other Similar products are found below :

[D38999/24FJ4AN](#) [570416-000](#) [CLTEQ-M81CE-SSRELAY-4-20V](#) [4-1195131-0](#) [650069-000](#) [SMD100-2](#) [358838-000](#) [CB-1022B-78](#)
[RM707012](#) [RP410012](#) [MMS42](#) [1-640426-8](#) [2EDL4CM](#) [DTS20W19-11PD-3028-LC](#) [RM202615](#) [NC6-P104-06](#) [MSPS103B](#) [DTS26F21-](#)
[41HE-LC](#) [DTS26F21-41AE](#) [DTS26F21-41PE-LC](#) [DTS26F21-11SE-3028-LC](#) [30DCB6](#) [1932144-1](#) [293545-4](#) [LVR125S](#) [MS27466T25F4PB](#)
[CKB-38-78010](#) [TR04AI-TINELLOCKRING](#) [1206SFF150F/63-2](#) [D38999/20JB35HA](#) [TE1500A2R2J](#) [D38999/20WC8BB](#) [DTS24F19-11SC-](#)
[3028-LC](#) [D38999/24WG11HA](#) [D38999/24WG11HN](#) [MS27467T21F11H](#) [DJT16E21-11HA](#) [MS27467T21F35J](#) [MS27467T21F11J](#)
[MS27467T21F16H-LC](#) [MS27467T21F35H](#) [MS27467T21F41H-LC](#) [1206SFH150F/24-2](#) [RP330024](#) [DJT16E21-11PA-LC](#) [DJT16E21-11HA-](#)
[LC](#) [DJT16E21-11AA](#) [MS27467T21B11JA](#) [DJT16E21-11JA](#) [MS27467T21B11JA-LC](#)