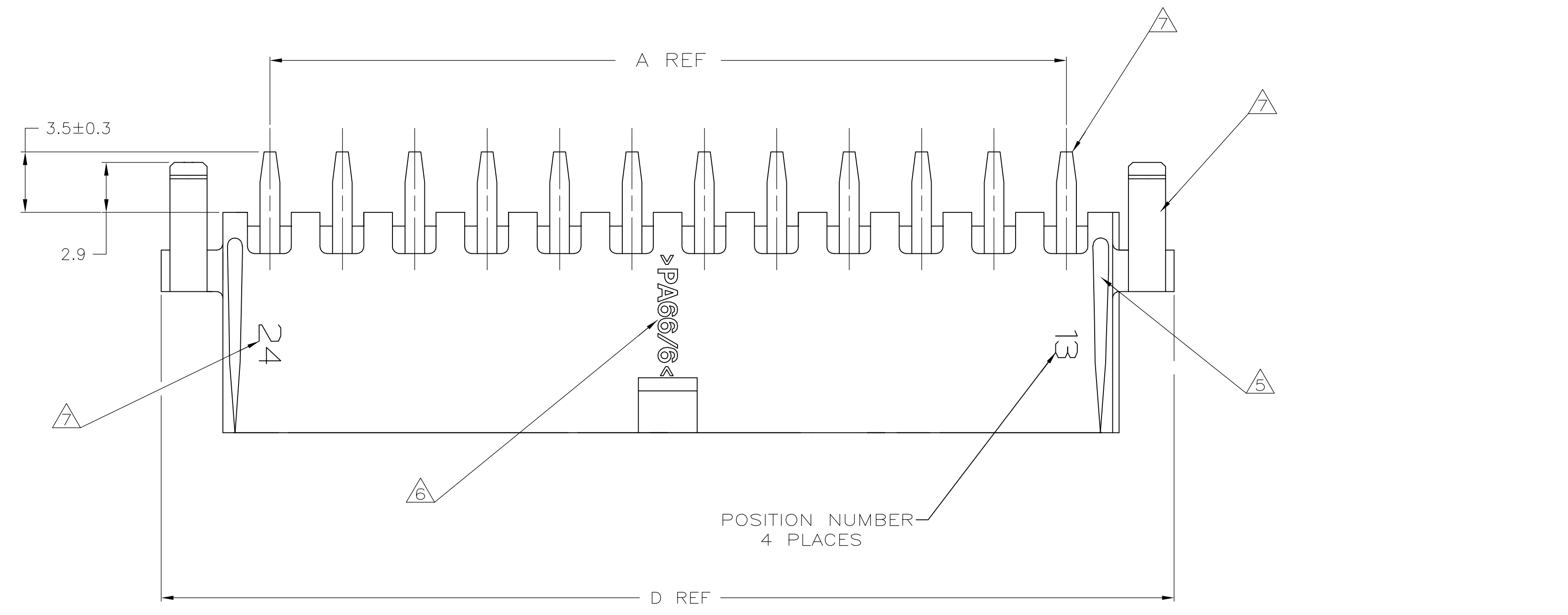
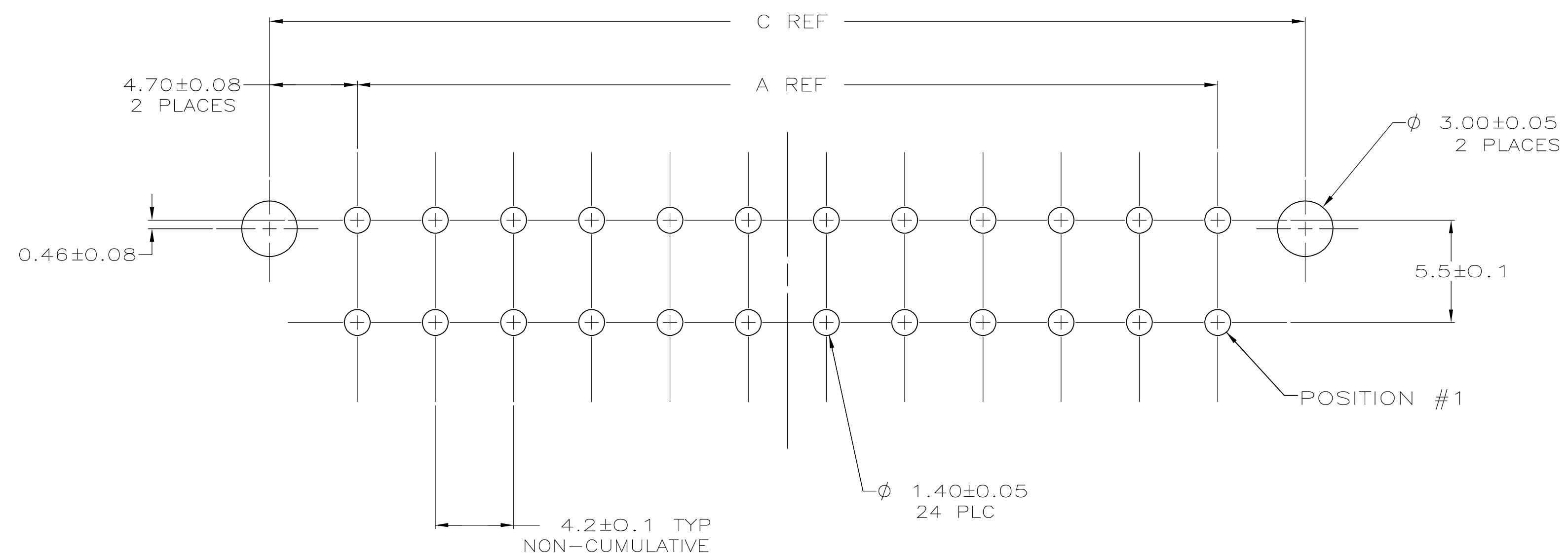
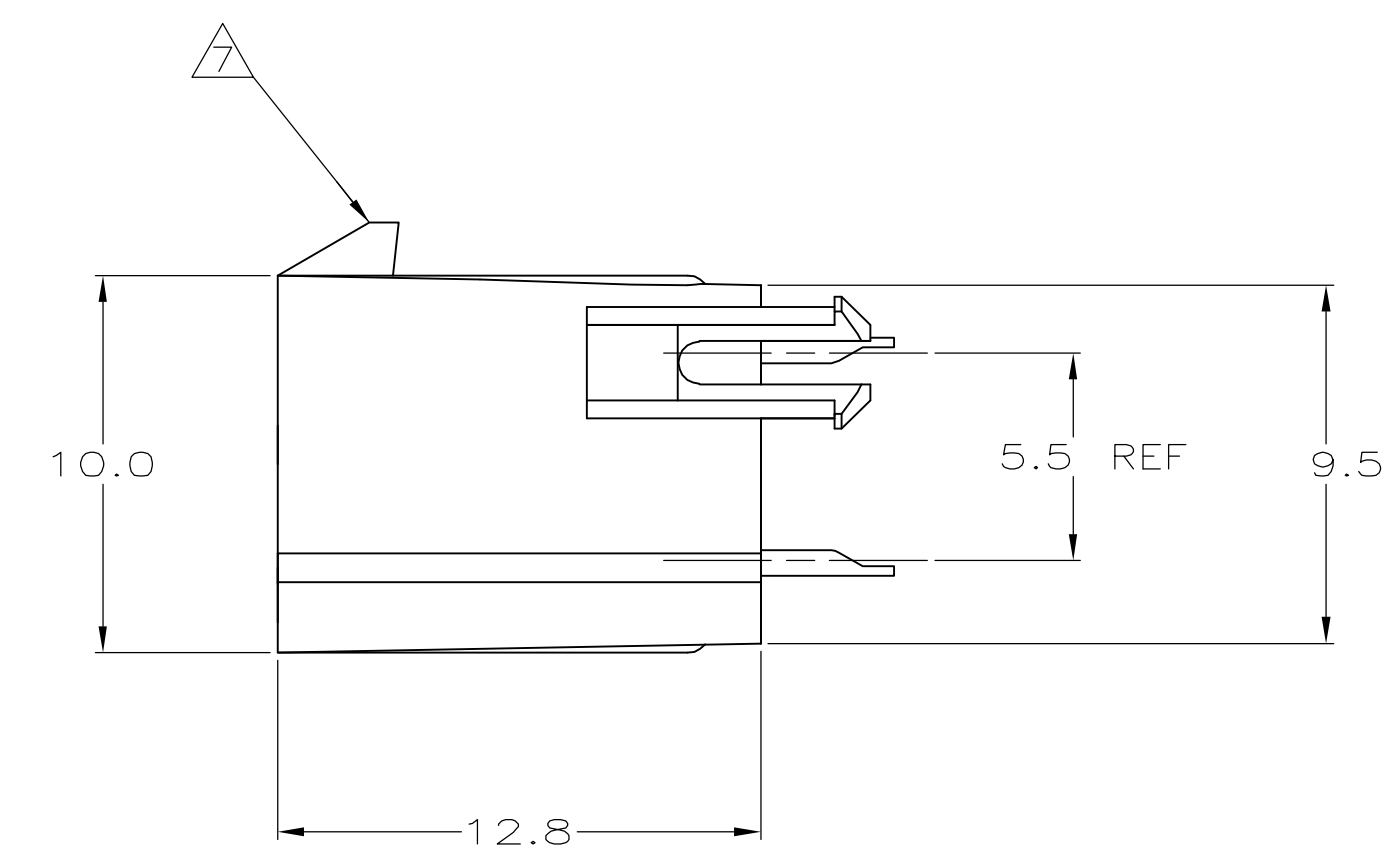
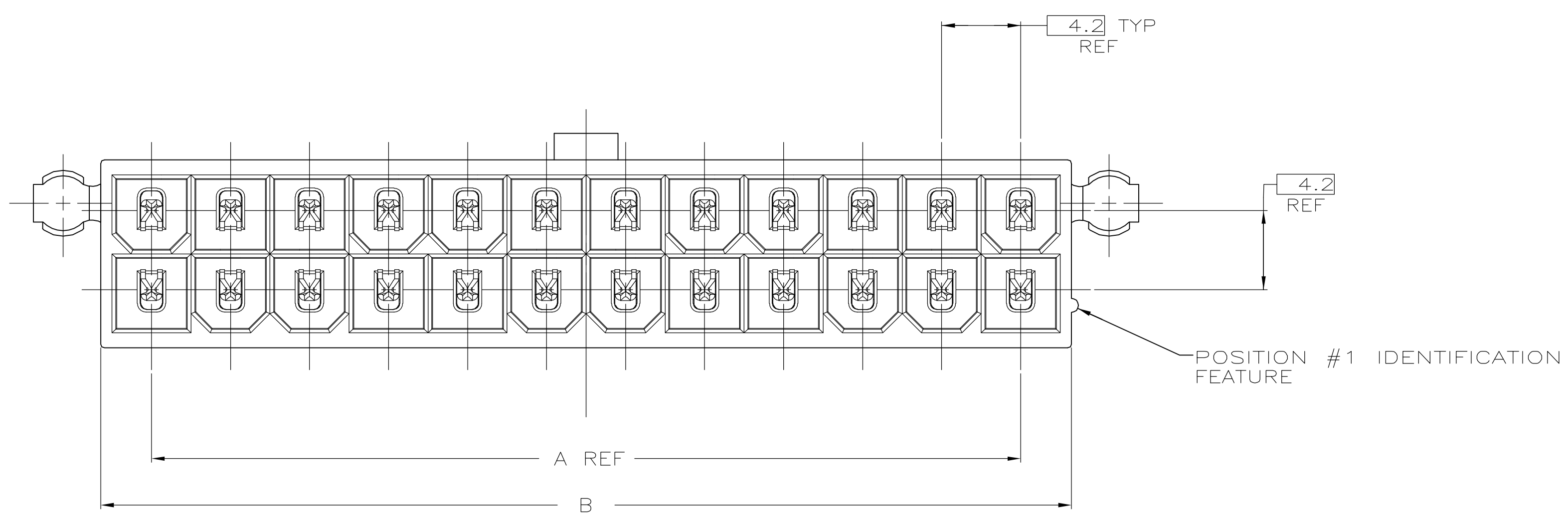


LOC		DIST		REVISIONS			
CM	00	REV	DATE	DRN	APVD	DATE	DRN
		01	REVISED PER ECO-05-009878	11OCT05	KW	DC	

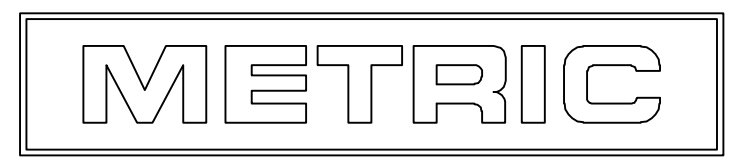


- △ MATERIAL: HOUSING - NYLON, UL94V-0 (COLOR - WHITE, COLOR OF PARTS MAY VARY). CONTACTS - 0.25 THK COPPER ALLOY.
- △ CONTACT FINISH: 0.003 MIN THK TIN OVER 0.00127 MIN THK NICKEL OVER ENTIRE CONTACT.
- 3. SOLDER TAIL MEETS AMP SOLDERABILITY SPECIFICATION 109-11-2.
- 4. MATES WITH SIMILARLY PLATED AMP-DUAC™ POWER CONNECTOR RECEPTACLE HOUSINGS/SOCKET CONTACTS.
- △ RIBS ON FOUR CORNERS OPTIONAL.
- △ AMP LOGO AND MATERIAL ID MAY BE LOCATED ON EITHER LONG SIDE OF PART.
- △ SIZE, SHAPE OR STYLE OF THIS FEATURE MAY VARY.



RECOMMENDED MOUNTING HOLE PATTERN FOR 1.78 MAX THICK P.C. BOARD COMPONENT SIDE SHOWN

D	C	B	A	NO. OF POSITIONS	PART NO
58.8	55.6	51.6	46.2	24	2-1586493-4
54.6	51.4	47.4	42.0	22	2-1586493-2
50.4	47.2	43.2	37.8	20	2-1586493-0
46.2	43.0	39.0	33.6	18	1-1586493-8
42.0	38.8	34.8	29.4	16	1-1586493-6
37.8	34.6	30.6	25.2	14	1-1586493-4
33.6	30.4	26.4	21.0	12	1-1586493-2
29.4	26.2	22.2	16.8	10	1-1586493-0
25.2	22.0	18.0	12.6	8	1586493-8
21.0	17.8	13.8	8.4	6	1586493-6
16.8	13.6	9.6	4.2	4	1586493-4
12.6	9.4	5.4	0.0	2	1586493-2



THIS DRAWING IS A CONTROLLED DOCUMENT. DWN: K. WHITAKER, 20JUNE2005, CHK: D. COLEY, 20JUNE2005, APVD: D. COLEY, 20JUNE2005. Tyco Electronics Corporation, Harrisburg, PA 17105-3608.

PRODUCT SPEC: 108-1699, APPLICATION SPEC: 108-1699. ASSEMBLY, HEADER, VERTICAL, TIN PLATED, W/ PEGS, W/O DRAIN HOLES, 94V-0, AMP-DUAC.

SIZE: A1, CAGE CODE: 00779, DRAWING NO: 1586493, RESTRICTED TO: CUSTOMER DRAWING. SCALE: 5:1, SHEET: 1 OF 1, REV: 01.

## X-ON Electronics

Largest Supplier of Electrical and Electronic Components

*Click to view similar products for [Barrier Terminal Blocks](#) category:*

*Click to view products by [TE Connectivity](#) manufacturer:*

Other Similar products are found below :

[6C1N03](#) [6PCR-02-008](#) [6PCR-05-008](#) [6PCR-08-008](#) [6PCR-21-006](#) [6PCV-06-008](#) [6PCV-10-009](#) [6PCV-15-008](#) [6STR-06-006](#) [6STR-08-006](#)  
[6STR-12-008](#) [6STR-14-008](#) [6STR-16-008](#) [6STR-17-008](#) [6STR-21-008](#) [6STR-25-008](#) [6STR-27-008](#) [6STV-03-006](#) [6STV-03-008](#) [6STV-04-006](#) [6STV-10-006](#) [6WWR-03](#) [6WWV-12-008](#) [6WWV-16-008](#) [7-1546701-0](#) [72212603](#) [72503-C](#) [72504-C-50](#) [73203](#) [76007](#) [7604-501LF](#)  
[77010-50](#) [796985-3](#) [796988-4](#) [7C1N08](#) [8-1437402-5](#) [8-1437402-7](#) [8-1546158-0](#) [870505](#) [870903](#) [8PCR-06-006](#) [8PCV-02-008](#) [8PCV-05-008](#)  
[8PCV-09-006](#) [8PCV-15-006](#) [8PCV-17-006](#) [8QCR-03-008](#) [8STV-04-006](#) [9-1437402-3](#) [A103104](#)