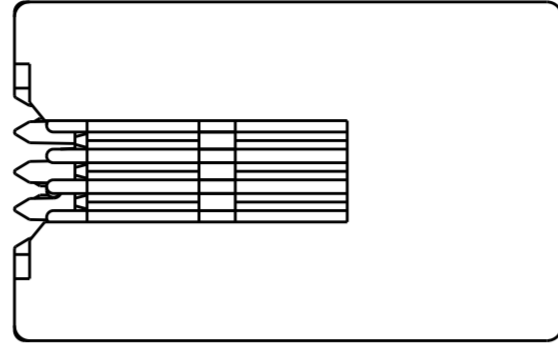


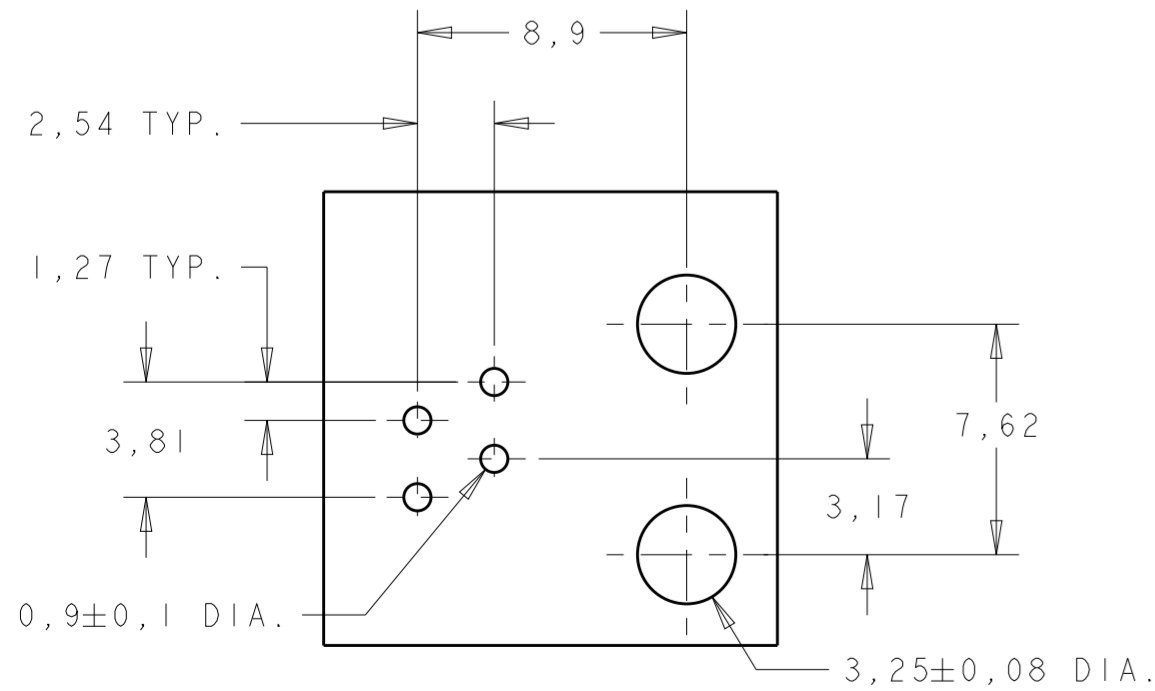
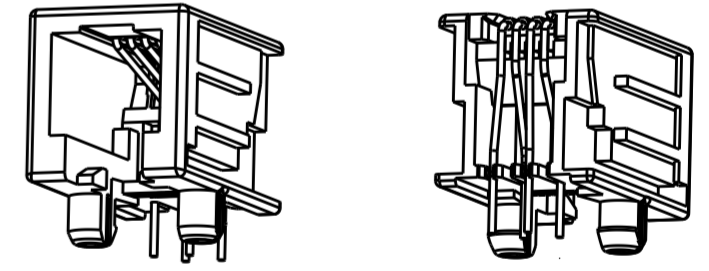
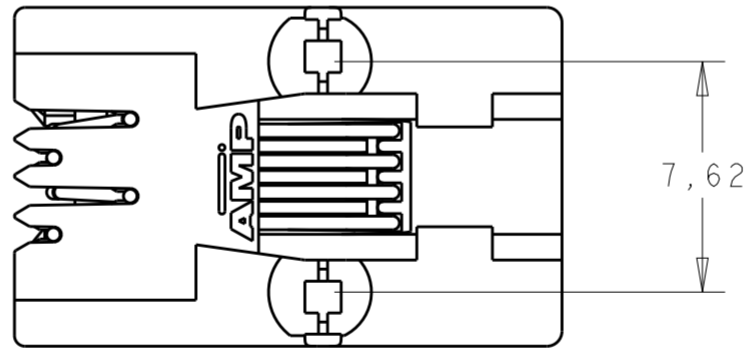
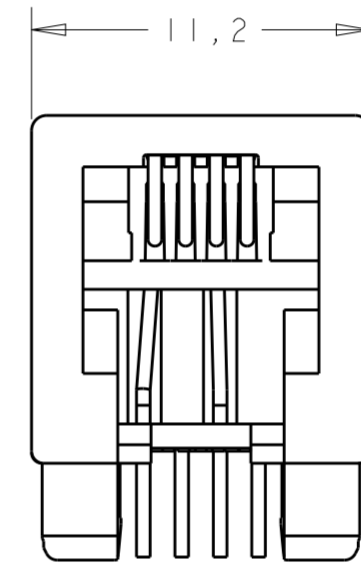
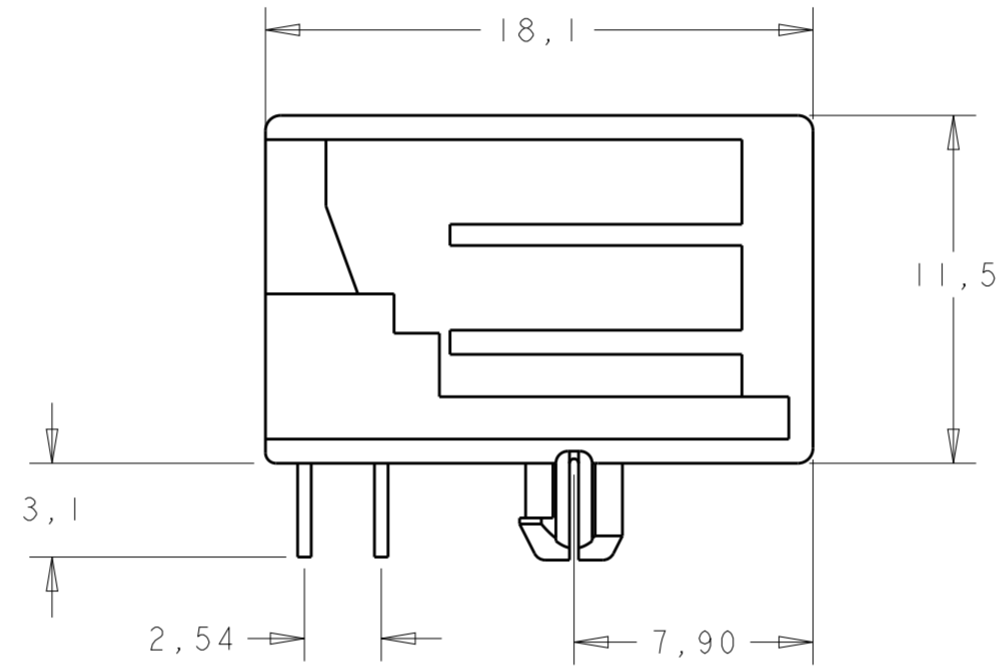
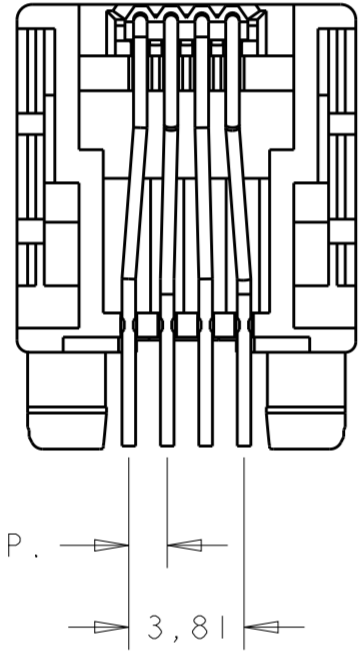
THIS DRAWING IS UNPUBLISHED. RELEASED FOR PUBLICATION  
 © COPYRIGHT copyright\_date ALL RIGHTS RESERVED.

| LOC | DIST | REVISIONS |     |               |           |     |      |
|-----|------|-----------|-----|---------------|-----------|-----|------|
|     |      | P         | LTR | DESCRIPTION   | DATE      | DWN | APVD |
| IR  | -    |           | U   | ECR-05-012760 | 1-OCT-05  | -   | JB   |
|     |      |           | V   | ECR-10-020218 | 28DEC2010 | PS  | RRP  |
|     |      |           | W   | ECO-13-015831 | 9OCT2013  | AD  | SH   |
|     |      |           | Y   | ECO-17-017971 | 08DEC2017 | AD  | SH   |



NOTES:

- 1 TOLERANCE UNLESS OTHERWISE SPECIFIED: 0,15.
- 2 BULK PACKAGING: TRUE POSITIONING OF THE SOLDER TINES IS NOT GUARANTEED.
- 3 SUPERSEDED BY 1-215876-3
- 4 SUPERSEDED BY 215875-1
- 5 OBSOLETE 3-215875-3



**OBSOLETE**

|  |  |                                |            |
|--|--|--------------------------------|------------|
| OVERALL: Ni 1.27µm MIN. ALL OVER THE CONTACTS  | HOUSING, COLOR BLACK: PBT 20% GF, UL 94V-0 | 290 PCS IN A TRAY              | 1-215875-3 |
| SOLDER ZONE: Sn 2.5µm MIN. ON THE SOLDER ZONE OF THE CONTACT                         | CONTACT INSERT: PBT, UL 94V-0              | 50 PCS IN A TUBE (SEE SHEET 2) | 3-215875-3 |
| MATING ZONE: PLATING CONFIRMS TO PRODUCT REQUIREMENTS AS PER SPECIFICATION 108-19064 | CONTACTS: PH, BRONZE                       | BULK PACKAGED IN A BOX         | 2-215875-1 |
|  |  | 126 PIECES IN MULTI-TUBE       | 1-215875-1 |
|  |  | TAPE MOUNTED 1000pcs./reel     | 215875-1   |
| FINISH   | MATERIAL                                   | PACKAGING                      | PARTNUMBER |

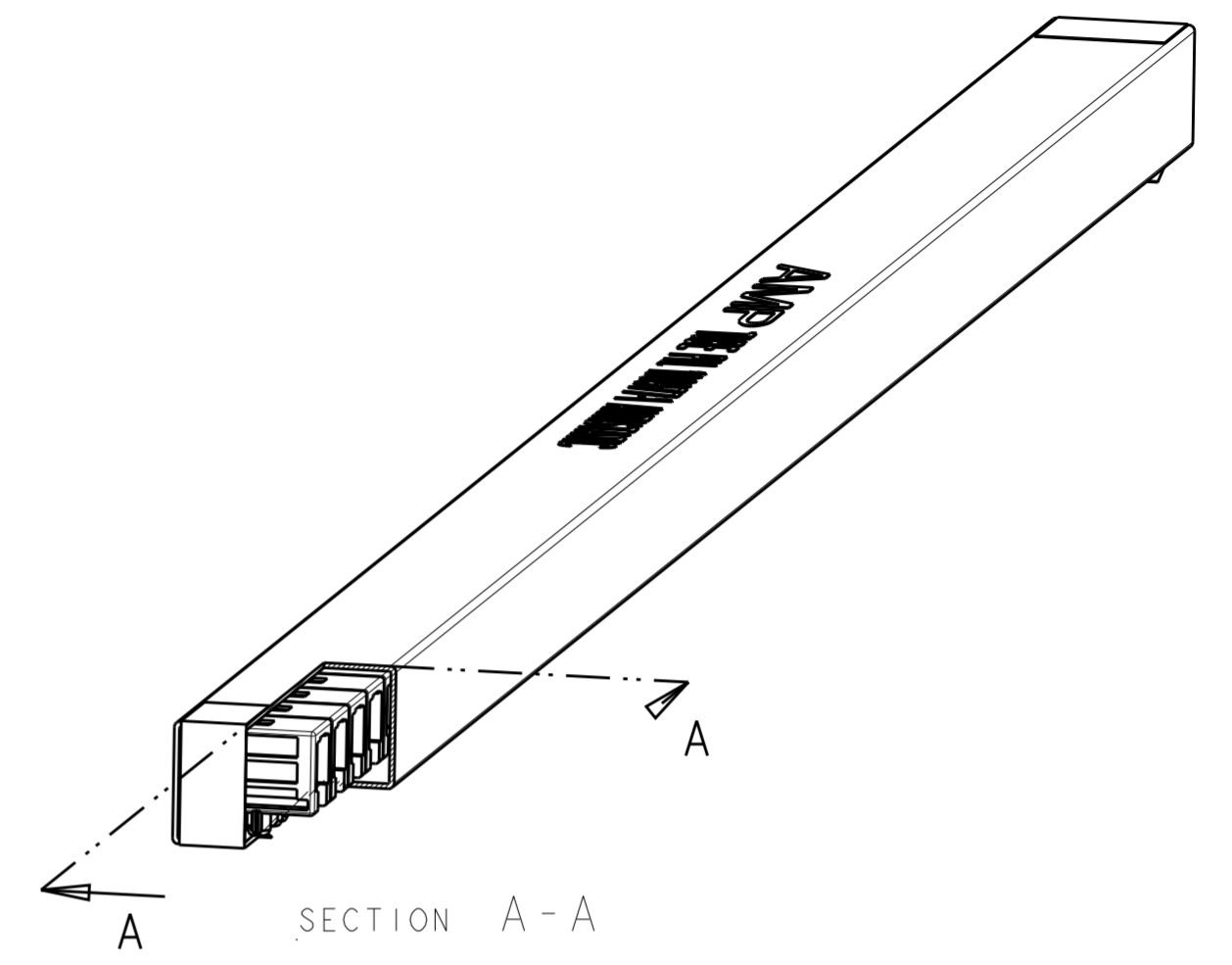
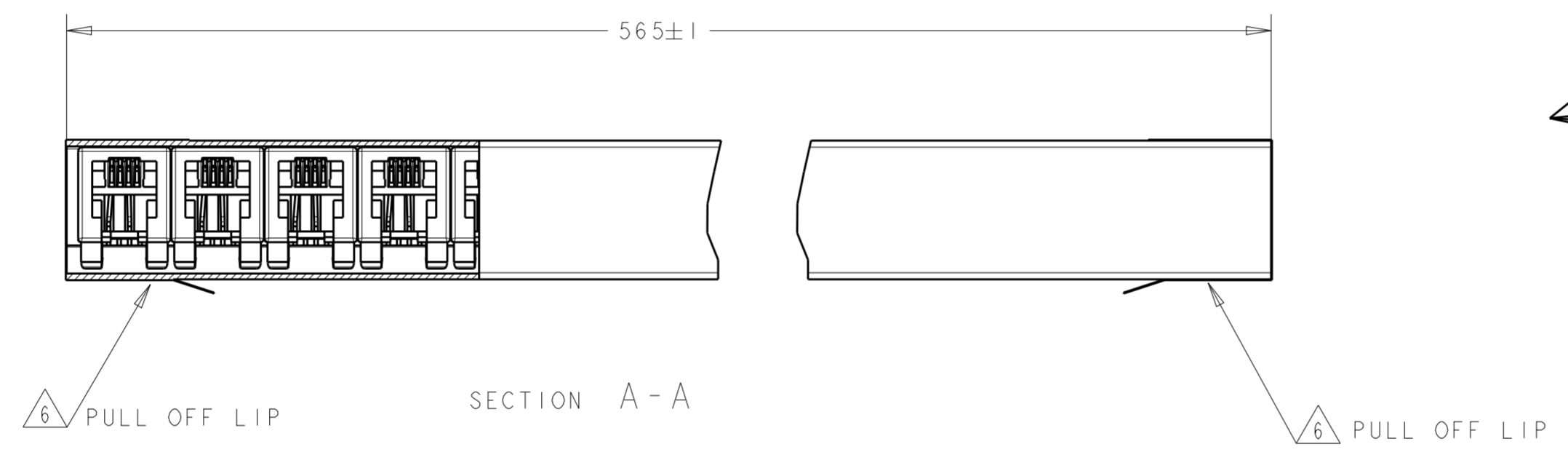
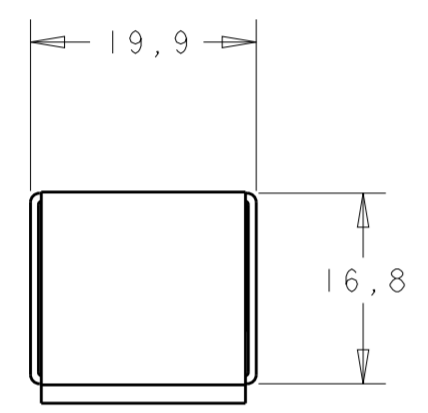
|  |          |                            |  |  |
|--|----------|----------------------------|--|--|
| THIS DRAWING IS A CONTROLLED DOCUMENT. |          | DWN E. v. EIJK             | TE Connectivity  |  |
| DIMENSIONS: mm                         |          | CHK M. v. ESSEN            |  |  |
| TOLERANCES UNLESS OTHERWISE SPECIFIED: |          | APVD R. SMEETS             | NAME MODULAR JACK SIDE ENTRY 4/4 FOR PRINTED CIRCUIT BOARD |  |
| 0 PLC ±                                | 1 PLC ±  | PRODUCT SPEC 108-19064     | SIZE CAGE CODE DRAWING NO RESTRICTED TO                    |  |
| 2 PLC ±                                | 3 PLC ±  | APPLICATION SPEC 114-19019 | A20779C-215875   |  |
| 4 PLC ±                                | ANGLES ± | WEIGHT -                   | SCALE 4:1 SHEET 1 OF 2 REV Y                               |  |
| MATERIAL -                             | FINISH - | CUSTOMER DRAWING           |  |  |

THIS DRAWING IS UNPUBLISHED. RELEASED FOR PUBLICATION  
 © COPYRIGHT copyright\_date ALL RIGHTS RESERVED.

| LOC | DIST | REVISIONS   |      |     |      |
|-----|------|-------------|------|-----|------|
| P   | LTR  | DESCRIPTION | DATE | DWN | APVD |
| IR  | -    | SEE SHEET 1 | -    | -   | -    |
| -   | -    | -           | -    | -   | -    |
| -   | -    | -           | -    | -   | -    |
| -   | -    | -           | -    | -   | -    |

NOTES:

- 5 TUBE IS TRANSPARANT PVC.
- 6 TUBE IS CLOSED AT BOTH ENDS BY A TAPE.



|  |          |                               |   |                        |
|--|----------|-------------------------------|---|------------------------|
| THIS DRAWING IS A CONTROLLED DOCUMENT. |          | DWN<br>E. v. EIJK             | <b>STE</b> TE Connectivity                                    |                        |
| DIMENSIONS:<br>mm                      |          | CHK<br>M. v. ESSEN            |   |                        |
| TOLERANCES UNLESS OTHERWISE SPECIFIED: |          | APVD<br>R. SNEETS             | NAME<br>MODULAR JACK SIDE ENTRY 4/4 FOR PRINTED CIRCUIT BOARD |                        |
| 0 PLC ±                                | 1 PLC ±  | PRODUCT SPEC<br>108-19064     | SIZE  | RESTRICTED TO          |
| 2 PLC ±                                | 3 PLC ±  | APPLICATION SPEC<br>114-19019 | CAGE CODE<br>A20779   | DRAWING NO<br>C-215875 |
| 4 PLC ±                                | ANGLES ± | WEIGHT                        | SCALE<br>4:1  | SHEET<br>2 OF 2        |
| MATERIAL                               | FINISH   | CUSTOMER DRAWING              | REV<br>W  |                        |

## X-ON Electronics

Largest Supplier of Electrical and Electronic Components

*Click to view similar products for [Modular Connectors / Ethernet Connectors](#) category:*

*Click to view products by [TE Connectivity](#) manufacturer:*

Other Similar products are found below :

[8949-H88/06BLKA/SN](#) [74441-0010/BKN](#) [MP1010RX-1000](#) [MP44RX-1000](#) [PHJ-4P4C-1-V-4](#) [PHP-6P6C-5](#) [GAX-3-66](#) [GAX-8-62](#) [GDCX-PA-66-50](#) [GDCX-PN-64](#) [GDCX-PN-66](#) [GDCX-PN-66-50](#) [GDLX-A-66](#) [GDLX-N-66](#) [GDLX-S-66](#) [GDLX-S-88K](#) [GDLX-SMT-S-88](#) [GDTX-S-88-50](#) [GDX-PA-1010](#) [GLX-N-1010M-BLK](#) [GLX-S-88M-BLK](#) [GMX-N-1010](#) [GMX-S-1010](#) [GMX-S-66](#) [GMX-SMT4-N-88](#) [GPX-2-64](#) [GSGX-N-2-88](#) [GSGX-N-4-88](#) [GSX-NS2-88-3.05](#) [GSX-NS2-88-3.05-50](#) [GSX-NS-88-3.05-50](#) [PT-108A-8C-UL](#) [PT-J951-8C](#) [PTS-J531-8CS-50UL](#) [1-1775629-2](#) [A-2014-0-4](#) [GWLX-S-88-GR](#) [GWLX-S9-88-YG](#) [DC-1021-8-WH-6](#) [1300530003](#) [1324640-4](#) [RJ11FTVC2G](#) [RJ11FTVC2N](#) [RJFTVX2SA1G](#) [132764-001](#) [1413235](#) [MP88X-1000](#) [MPS88RX-5000](#) [E5288-S000K3-L](#) [E5908-15A242-L](#)