

THIS DRAWING IS UNPUBLISHED. RELEASED FOR PUBLICATION 2000  
 © COPYRIGHT 2000 ALL RIGHTS RESERVED.

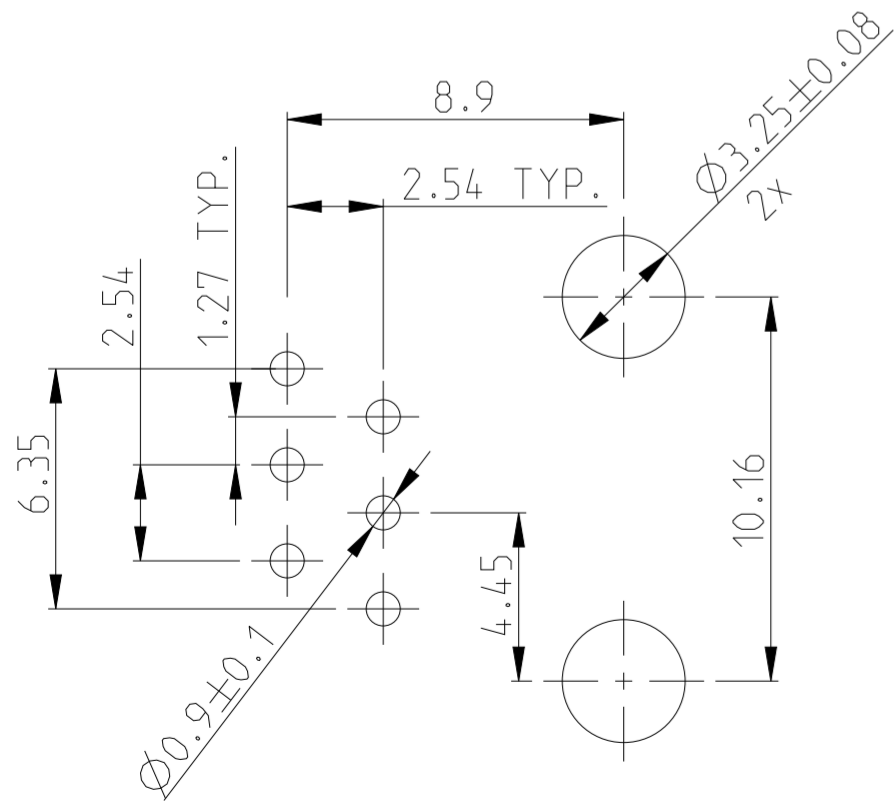
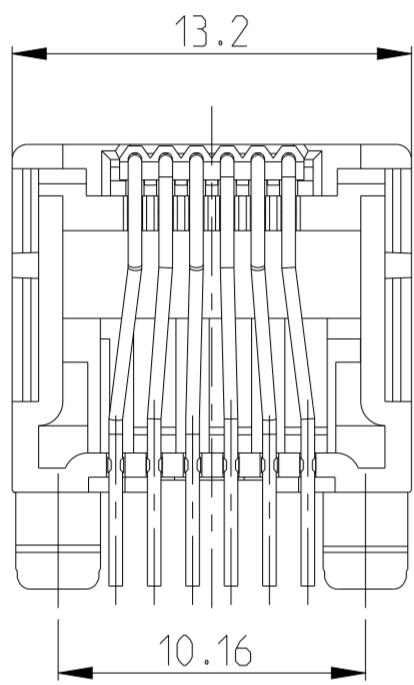
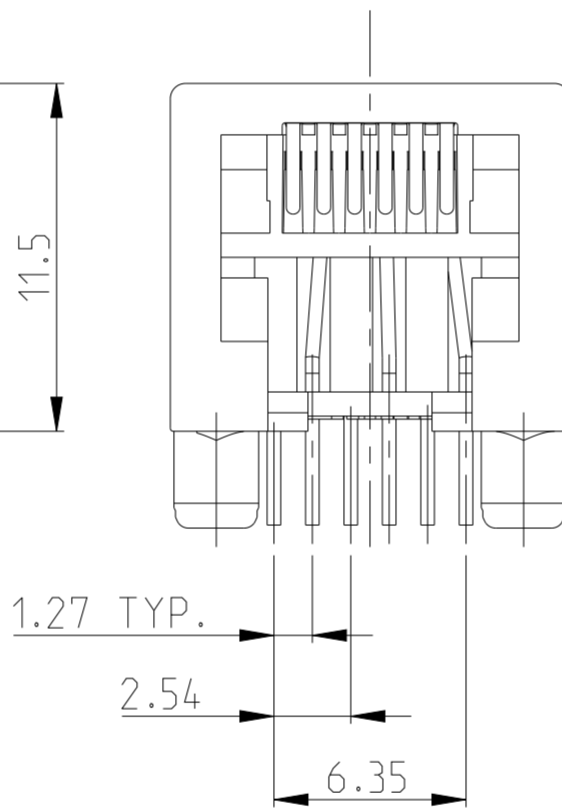
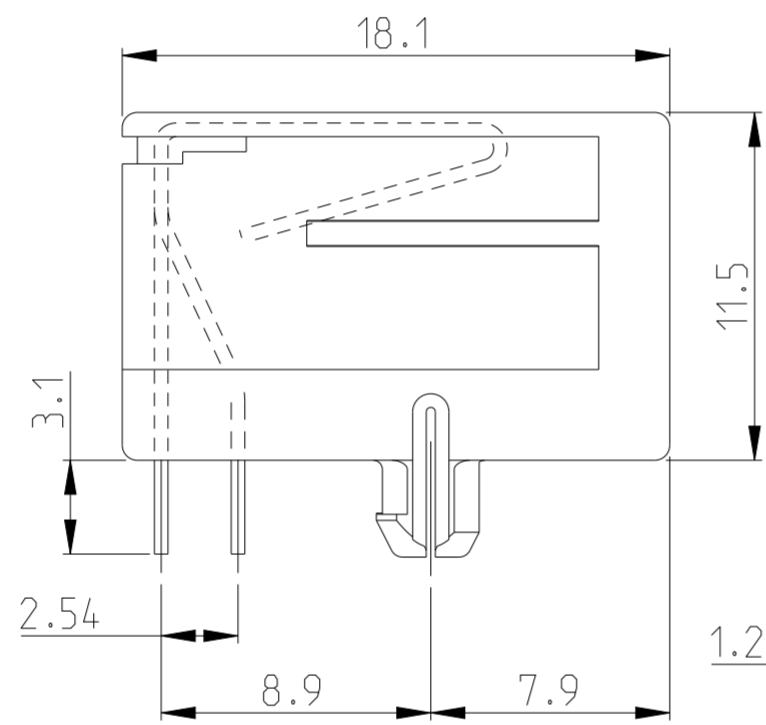
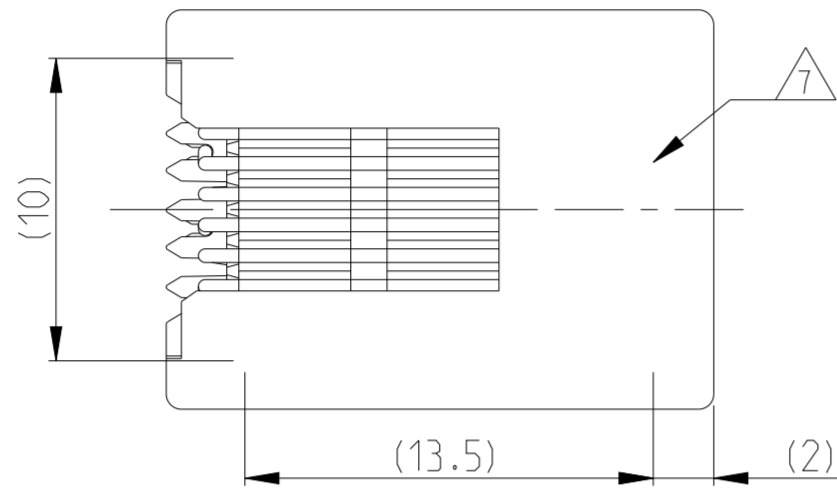
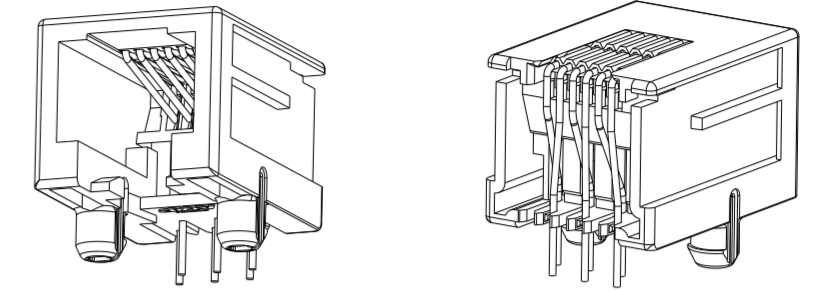
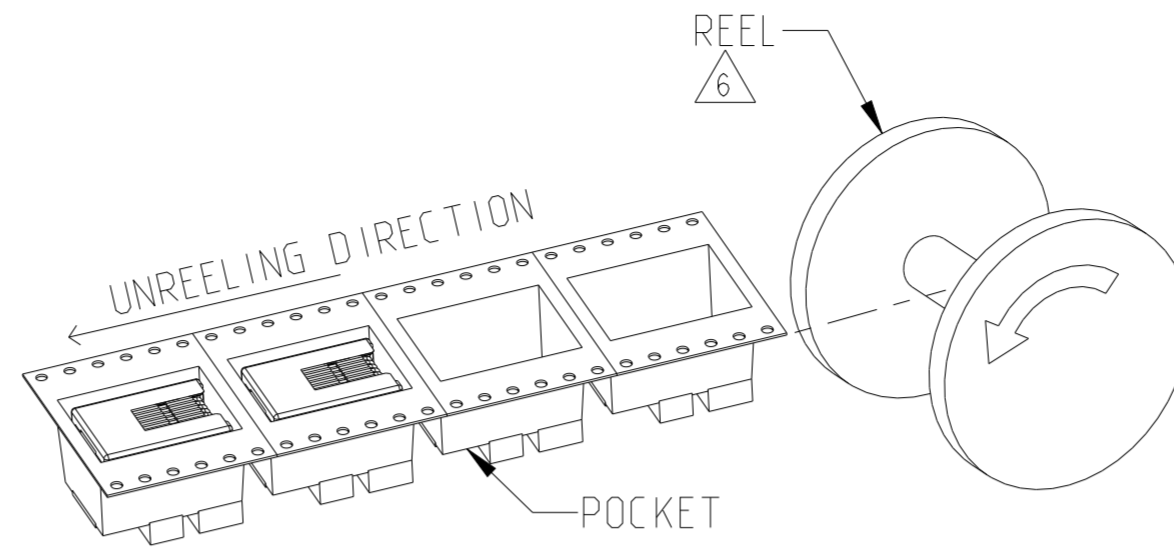
LOC	DIST	REVISIONS					
IR	-	P	LTR	DESCRIPTION	DATE	DWN	APVD
		AA1	ECR-10-026537		08AUG11	KK	HMR
		AA2	ECR-13-013525		29AUG2013	CW	SH
		AA3	REVISE PER ECO-12-008315		11MAY2015	AD	SH
		AA4	ADD PN 2-215876-4 WITH TAPE REEL PACKAGE		29SEP2020	IT	SH

- 1 SEE SHEET 2 FOR MODULAR JACK 6 POS./4 CONTACTS
- 2 FOR APPLICATION INFORMATION SEE SPEC. 114-19019.
- 3 FOR PERFORMANCE REQUIREMENTS SEE SPEC. 108-19064.
- 4 TOLERANCES UNLESS OTHERWISE SPECIFIED: ± 0,15mm.

5 TRUE POSITIONING WILL NOT BE GUARANTEED USING THIS PACKAGING TYPE.

6 PACKING TAPE AND REEL:  
 32mm WIDE TAPE  
 24MM POCKET PITCH  
 330mm REEL DIA  
 200 PIECES PER REEL

7 PI FILM FOR PICK UP,  
 FOR PN 2-215876-4 ONLY.



PRINTED CIRCUIT BOARD LAYOUT (6 POS./6 CONTACTS)

[VIEW SHOWN IS CIRCUIT (NON-COMPONENT) SIDE OF BOARD]  
 PRINTED CIRCUIT BOARD THICKNESS: 1,6mm NOMINAL.  
 TOLERANCES UNLESS OTHERWISE SPECIFIED: ± 0,05

PACKAGING	REMARKS	FINISH	MATERIAL	P/N
TAPE AND REEL 800 PCS/REEL 6 7	6 POS./ 6 CONTACTS	OVERALL: Ni 1.27 µm MIN. ALL OVER THE CONTACTS  SOLDER ZONE: Sn 2.5 µm MIN. ON THE SOLDER ZONE OF THE CONTACT  MATING ZONE: PLATING CONFIRMS TO PRODUCT REQUIREMENTS AS PER SPECIFICATION 108-19064	HOUSING COLOR BLACK	2-215876-4
TAPE MOUNTED 800 PCS/REEL	6 POS./ 6 CONTACTS		HOUSING AND CONTACT INSERT: UL 94-V0	2-215876-3
BULK PACKED 1000 PCS IN A BOX 5	SUPERSEDED BY 215876-3		HOUSING PA 4.6 CONTACT INSERT: PCT	<del>2-215876-1</del>
240 PIECES IN A TRAY	6 POS./ 6 CONTACTS		CONTACTS: PH-BRONZE	OBSELETE 2-215876-0
BULK PACKED 1000 PCS IN A BOX 5	SUPERSEDED BY 215876-1		HOUSING COLOR BLACK PBT, UL 94 V-0	<del>3-215876-1</del>
240 PIECES IN A TRAY	6 POS./ 6 CONTACTS		CONTACT INSERT: PBT, UL 94 V-0	1-215876-3
108 PCS IN A MULTI-TUBE	SUPERSEDED BY 1-215876-3		CONTACTS: PH-BRONZE	<del>1-215876-1</del>
TAPE MOUNTED 800 PCS/REEL	6 POS./ 6 CONTACTS			215876-1

THIS DRAWING IS A CONTROLLED DOCUMENT.

DWN	G.CONSTANT	24 SEP 96
CHK	G.CONSTANT	24 SEP 96
APVD	R.SMEETS	-

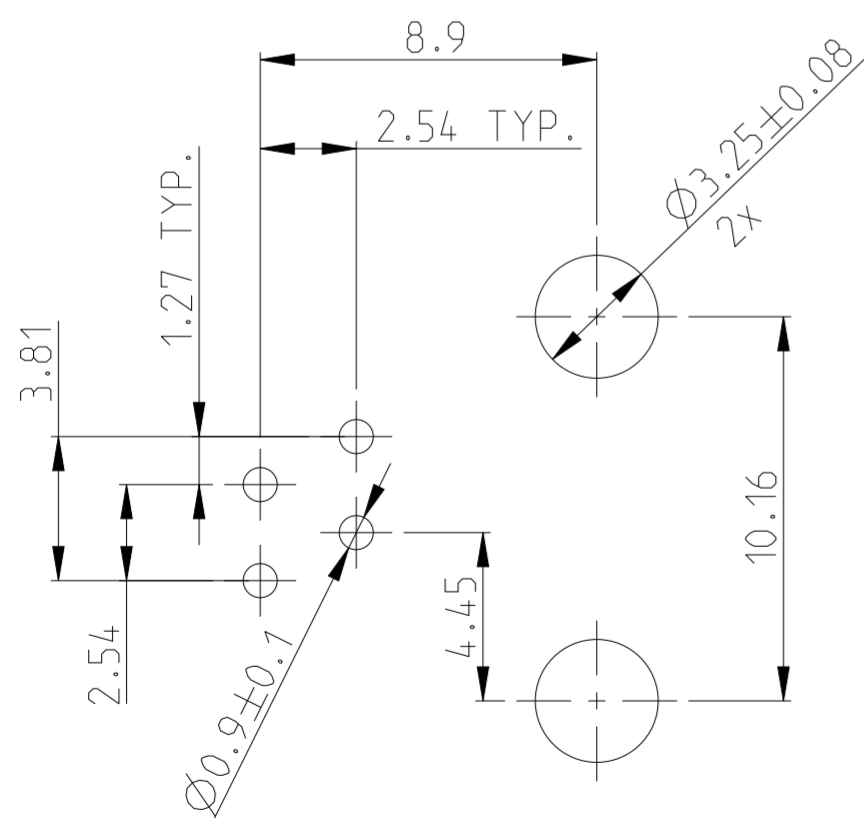
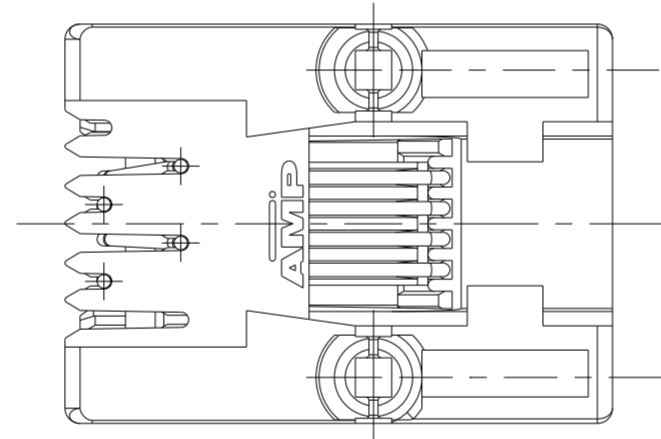
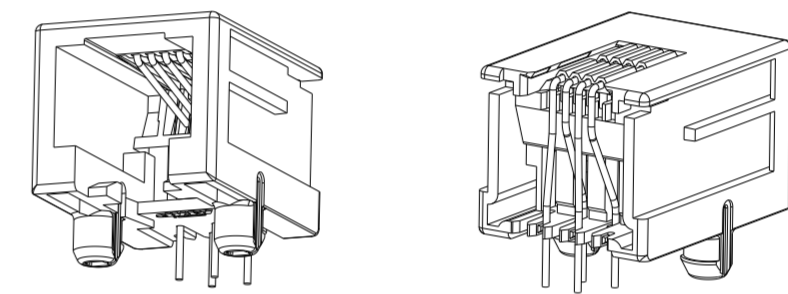
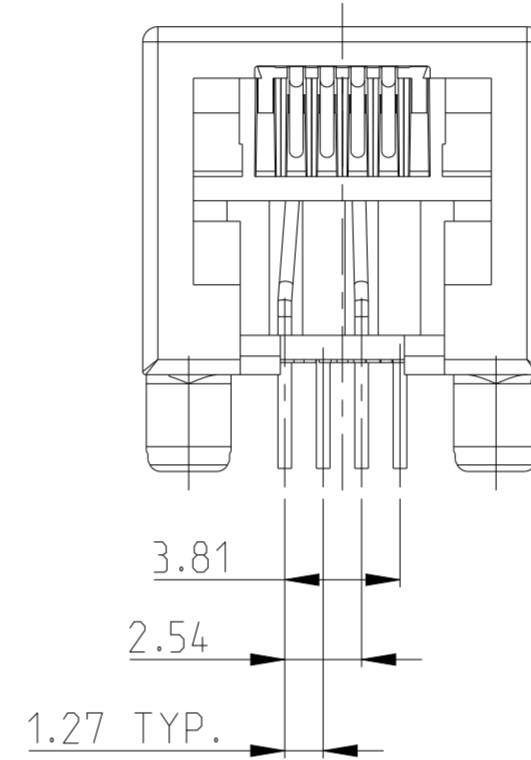
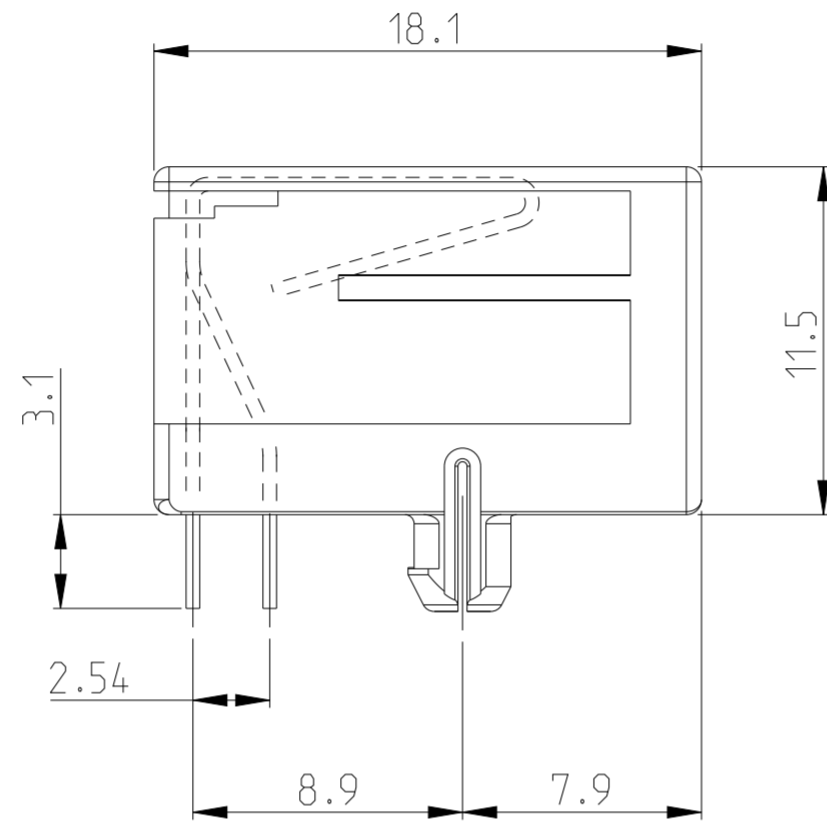
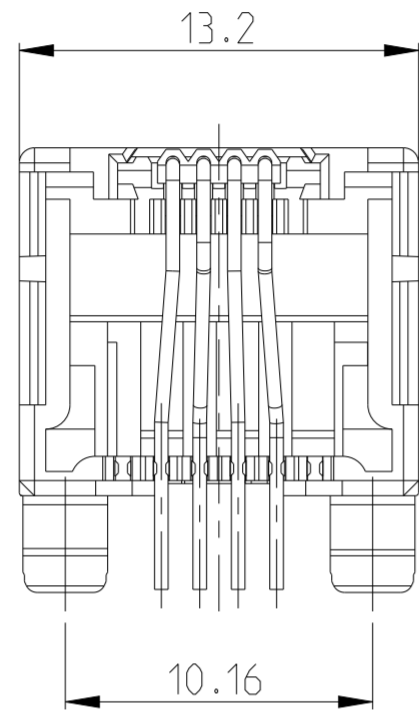
NAME: MODULAR JACK, SIDE ENTRY, 6/6 FOR PRINTED CIRCUIT BOARD

SIZE	CAGE CODE	DRAWING NO	RESTRICTED TO
A2		C-215876	-

CUSTOMER DRAWING SCALE 4:1 SHEET 1 OF 4 REX AA4

LOC		DIST		REVISIONS			
P	LTR	DESCRIPTION	DATE	DWN	APVD		
-	-	SEE SHEET 1	-	-	-		

- 1 SEE SHEET 1 FOR MODULAR JACK 6 POS./6 CONTACTS.
- 2 FOR APPLICATION INFORMATION SEE SPEC. 114-19019.
- 3 FOR PERFORMANCE REQUIREMENT SEE SPEC. 108-19064.
- 4 TOLERANCES UNLESS OTHERWISE SPECIFIED: ±0.15.



PRINTED CIRCUIT BOARD LAYOUT (6 POS./4 CONTACT)

[VIEW SHOWN IS CIRCUIT (NON-COMPONENT) SIDE OF BOARD]  
 PRINTED CIRCUIT BOARD THICKNESS: 1.6mm NOMINAL.  
 TOLERANCES UNLESS OTHERWISE SPECIFIED: ± 0.05.

240 PIECES IN A TRAY	6 POS./ 4 CONTACTS	SAME AS 215876-2	SAME AS 215876-2	3-215876-2
TAPE MOUNTED 800 PCS/REEL	6 POS./ 4 CONTACTS	OVERALL: Ni 1.27 µm MIN. ALL OVER THE CONTACTS SOLDER ZONE: Sn 2.5 µm MIN. ON THE SOLDER ZONE OF THE CONTACT MATING ZONE: PLATING CONFIRMS TO PRODUCT REQUIREMENTS AS PER SPECIFICATION 108-19064	HOUSING COLOR BLACK: PBT, UL 94 V-0 CONTACT INSERT: PBT, UL 94 V-0 CONTACTS: Ph-BRONZE	215876-2
	SUPERSEDED BY 215876-2			1-215876-2
PACKAGING	REMARKS	FINISH	MATERIAL	P/N

THIS DRAWING IS A CONTROLLED DOCUMENT.

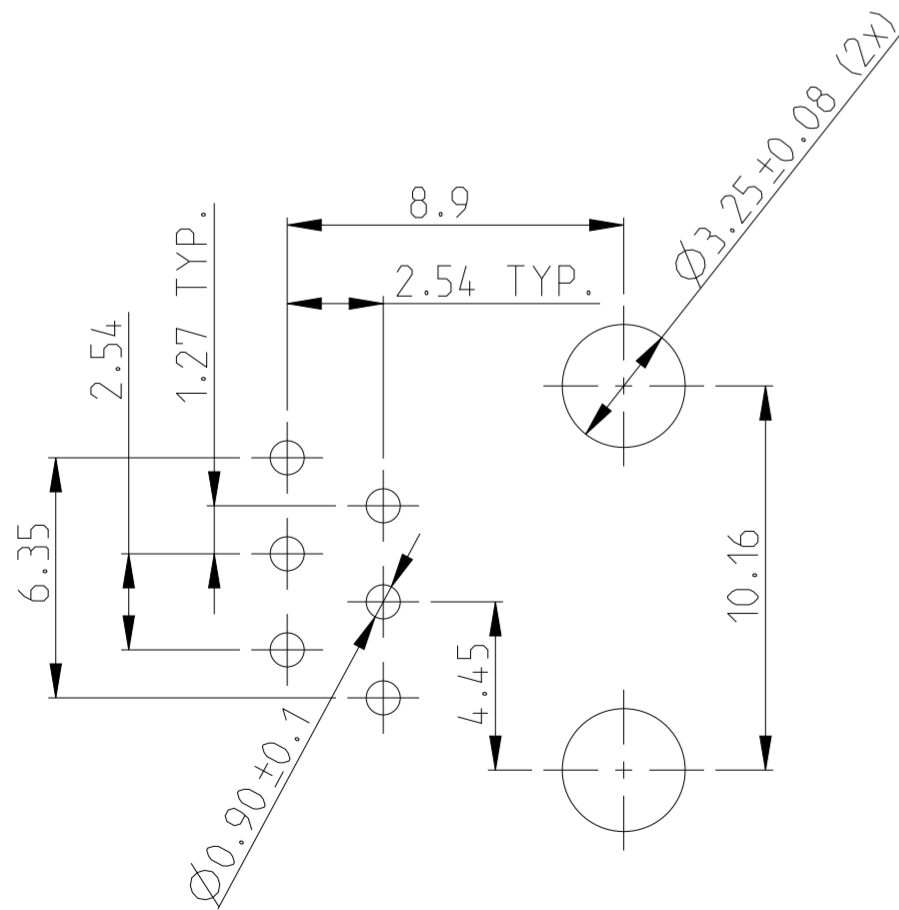
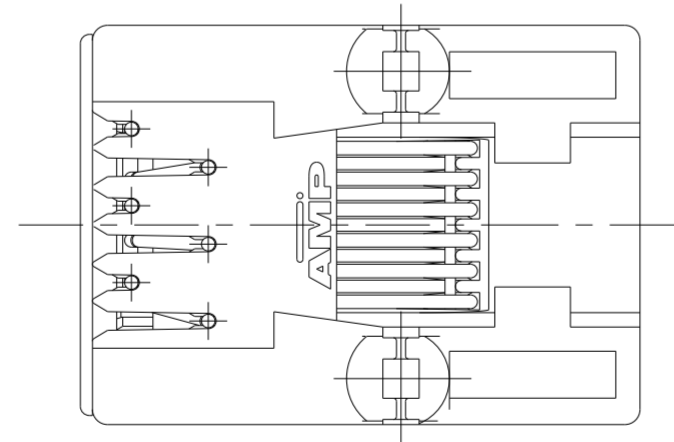
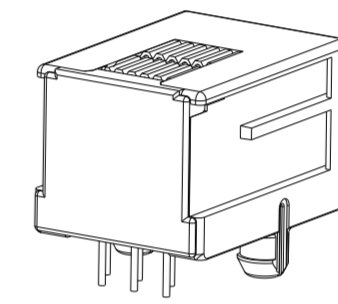
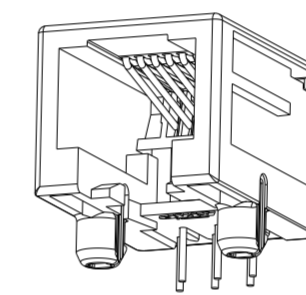
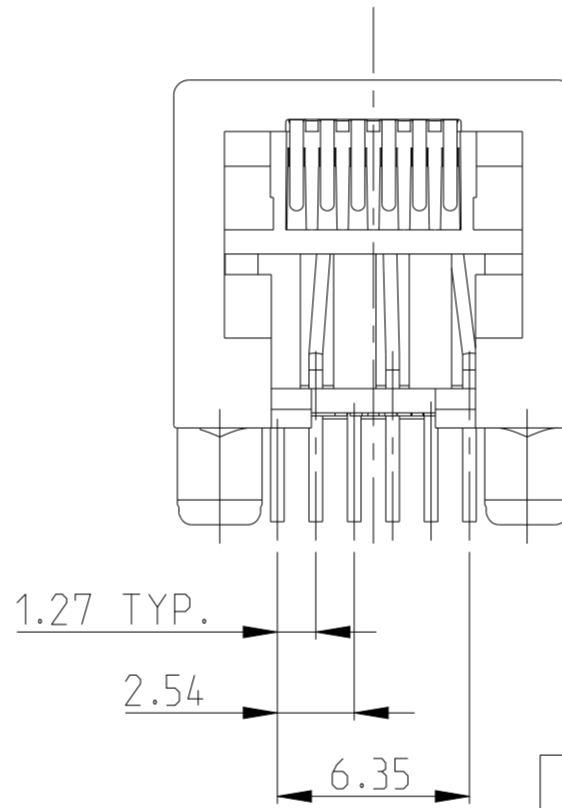
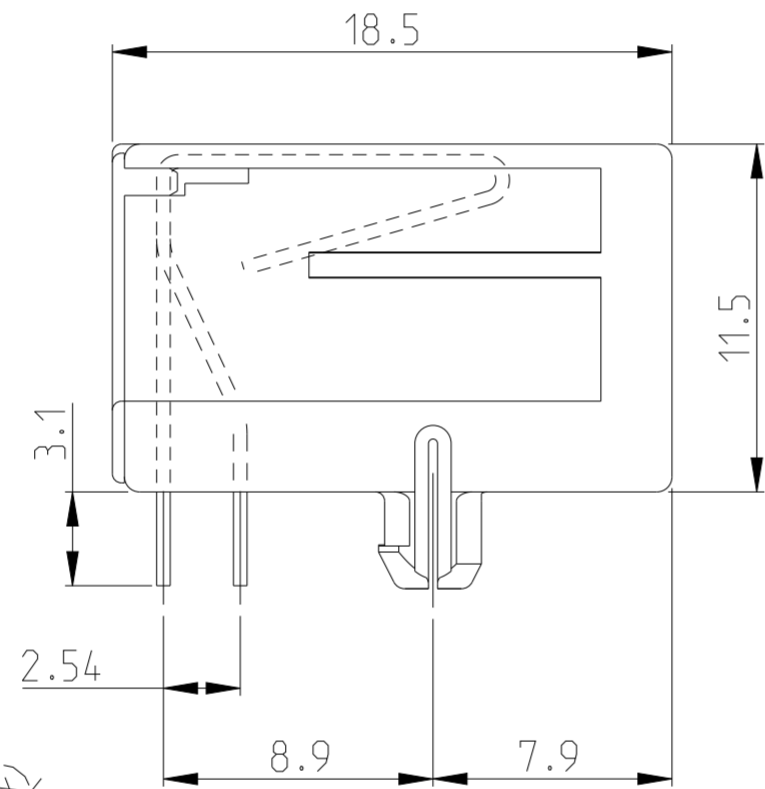
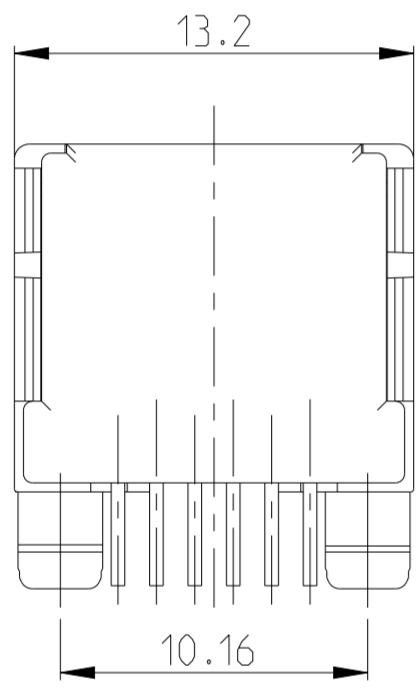
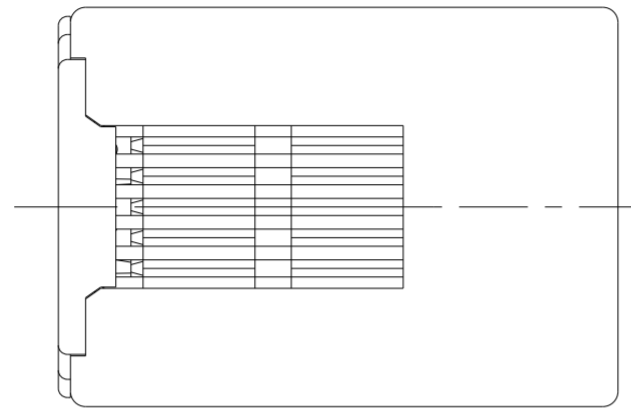
DWN G.CONSTANT 24 SEP 96	TE Connectivity MODULAR JACK, SIDE ENTRY, 6/4 FOR PRINTED CIRCUIT BOARD				
CHK G.CONSTANT 24 SEP 96					
APVD R.SMEETS					
PRODUCT SPEC 108-19064					
MATERIAL -	NAME				
DIMENSIONS: mm	APPLICATION SPEC 114-19019	SIZE A2	CAGE CODE	DRAWING NO. C-215876	RESTRICTED TO
TOLERANCES UNLESS OTHERWISE SPECIFIED:	WEIGHT -	SCALE 4:1	SHEET 2 OF 4	REV AA4	
0 PLC ±	CUSTOMER DRAWING				
1 PLC ±					
2 PLC ±					
3 PLC ±					
4 PLC ±					
ANGLES ±					
FINISH -					

THIS DRAWING IS UNPUBLISHED. RELEASED FOR PUBLICATION 2000  
 © COPYRIGHT 2000 ALL RIGHTS RESERVED.

LOC	DIST	REVISIONS			
P	LTR	DESCRIPTION	DATE	DWN	APVD
IR	-	SEE SHEET 1	-	-	-
-	-	-	-	-	-

- SEE SHEET 4 FOR MODULAR JACK 6 POS./4 CONTACTS WITH CONTACT COVER.
- FOR APPLICATION INFORMATION SEE SPEC. 114-19019.
- FOR PERFORMANCE REQUIREMENTS SEE SPEC. 108-19064.
- TOLERANCES UNLESS OTHERWISE SPECIFIED:  $\pm 0,15\text{mm}$ .

TRUE POSITIONING WILL NOT BE GUARANTEED USING THIS PACKAGING TYPE.



PRINTED CIRCUIT BOARD LAYOUT (6 POS./6 CONTACTS)

[VIEW SHOWN IS CIRCUIT (NON-COMPONENT) SIDE OF BOARD]  
 PRINTED CIRCUIT BOARD THICKNESS: 1,6mm NOMINAL.  
 TOLERANCES UNLESS OTHERWISE SPECIFIED:  $\pm 0,05$

OBSOLETE

OBSOLETE

OBSOLETE

PACKAGING	REMARKS	FINISH	MATERIAL	P/N
BULK PACKED 1000 PCS IN A BOX 		IN CONTACT AREA: 1,2 $\mu\text{m}$ MIN. SEL. GOLD OVER 1,2 $\mu\text{m}$ MIN. NICKEL	HOUSING COLOR BLACK PBT, UL94 V-0	5-215876-4
240 PIECES IN A TRAY	6 POS./ 6 CONTACTS	SOLDER TINES: 2,5 $\mu\text{m}$ MIN. TIN OVER 1,2 $\mu\text{m}$ MIN. NICKEL	CONTACT INSERT: PBT, UL94 V-0	5-215876-3
TAPE MOUNTED 800 PCS/REEL			CONTACT COVER: PBT, UL94 V-0	5-215876-1
			CONTACTS: PH-BRONZE	

THIS DRAWING IS A CONTROLLED DOCUMENT.

DWN	P. Willems	10-OCT-05
CHK	P. Willems	10-OCT-05
APVD	J. Broekssteeg	10-OCT-05

PRODUCT SPEC: 108-19064  
 APPLICATION SPEC: 114-19019

NAME: MODULAR JACK, SIDE ENTRY, 6/6 FOR PRINTED CIRCUIT BOARD WITH CONTACT COVER

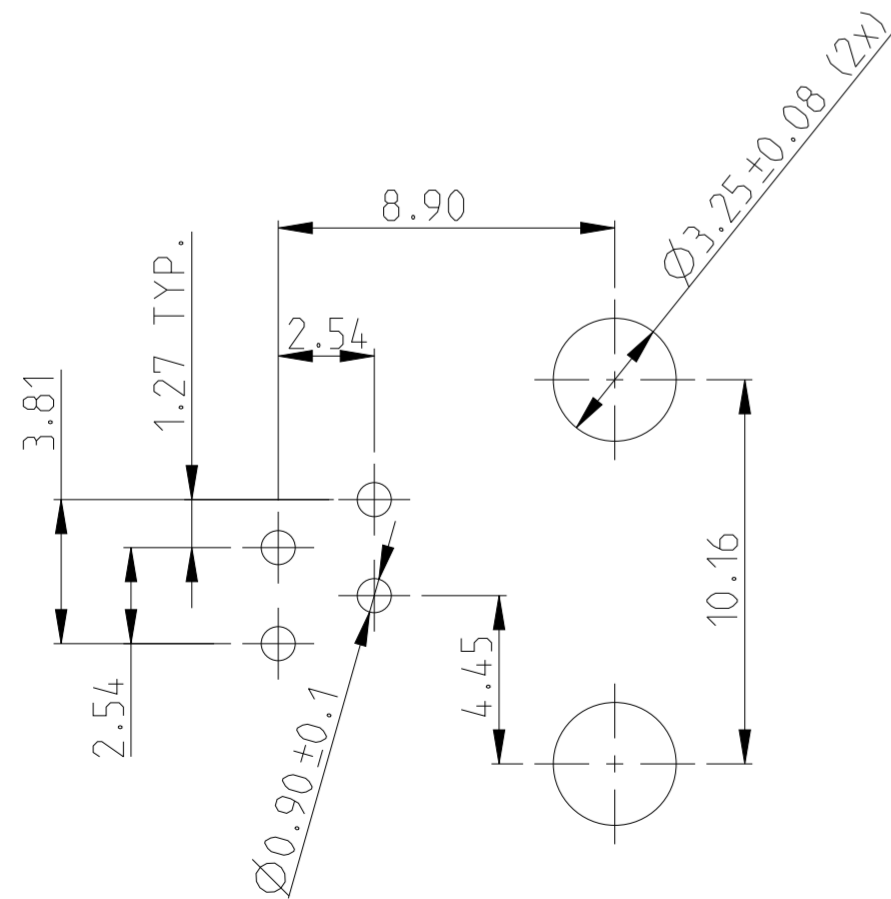
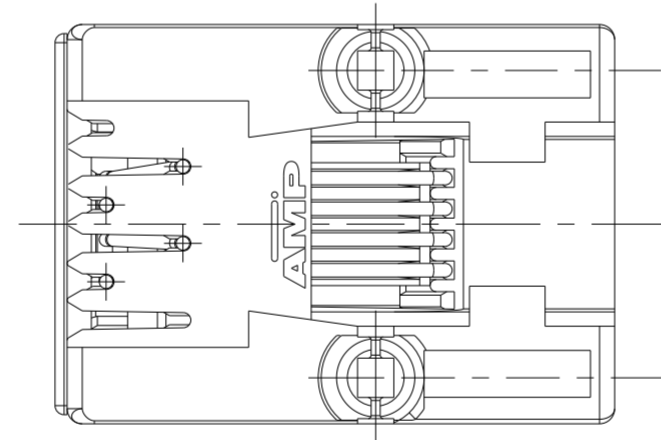
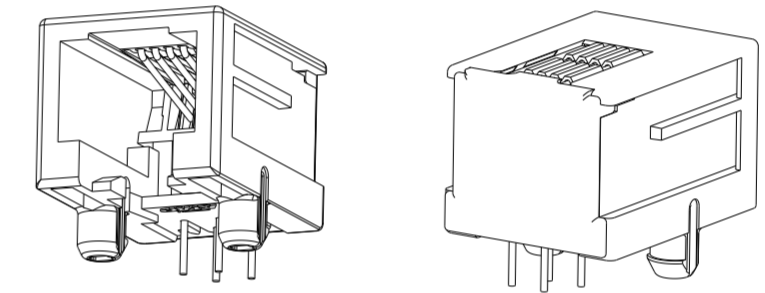
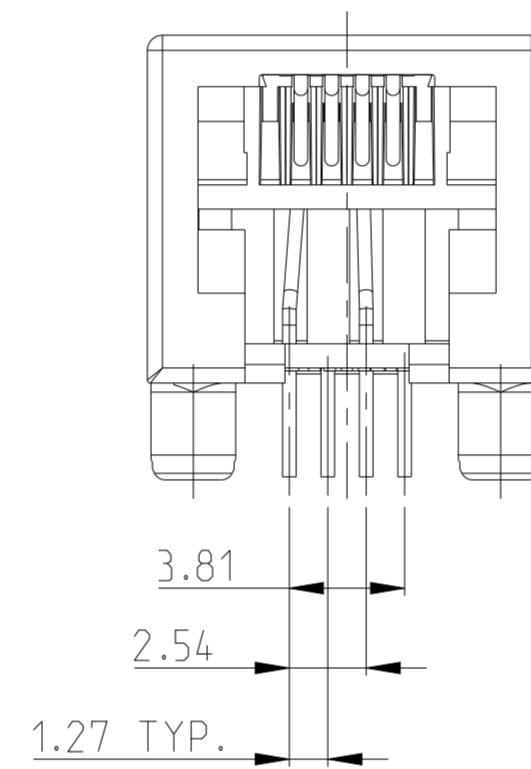
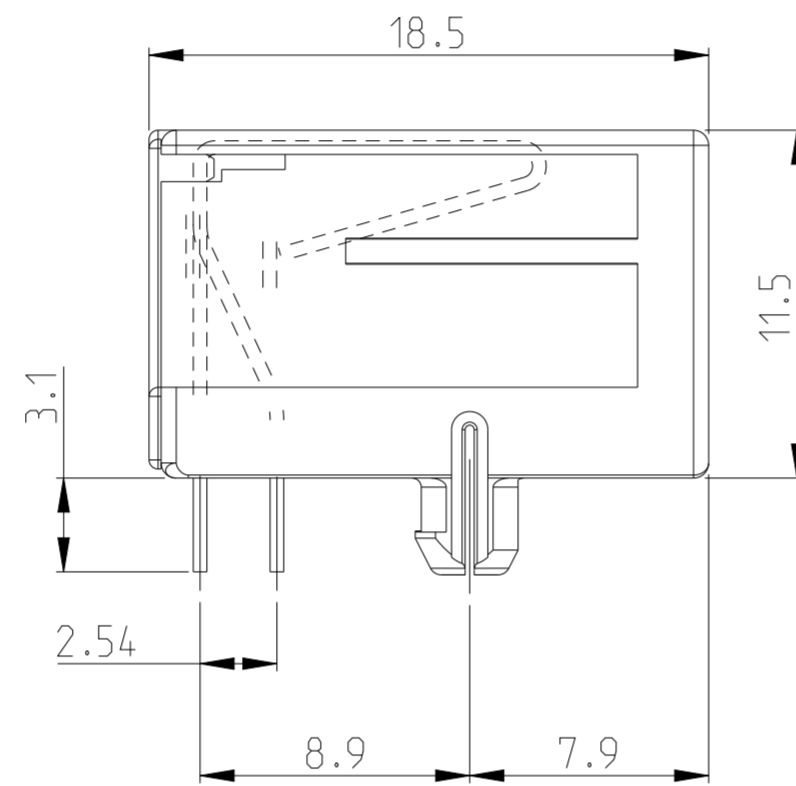
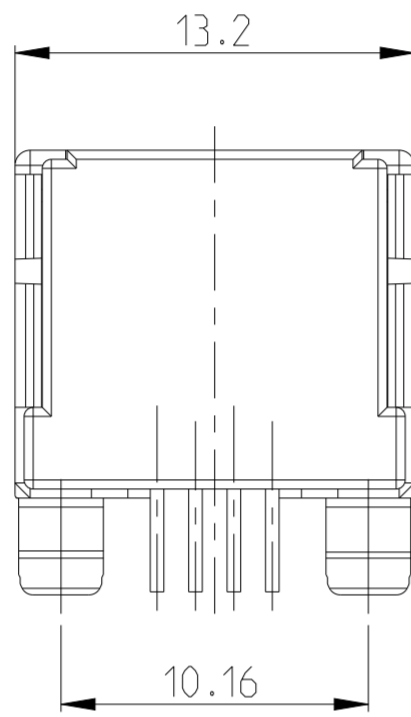
SIZE: A2 CAGE CODE: DRAWING NO: C-215876 RESTRICTED TO: -

CUSTOMER DRAWING SCALE: 4:1 SHEET 3 OF 4 REX: AA4

THIS DRAWING IS UNPUBLISHED. RELEASED FOR PUBLICATION 2000  
 © COPYRIGHT 2000 ALL RIGHTS RESERVED.

LOC		DIST		REVISIONS			
P	LTR	DESCRIPTION	DATE	DWN	APVD		
-	-	SEE SHEET 1	-	-	-		

- 1 SEE SHEET 3 FOR MODULAR JACK 6 POS./6 CONTACTS WITH CONTACT COVER.
- 2 FOR APPLICATION INFORMATION SEE SPEC. 114-19019.
- 3 FOR PERFORMANCE REQUIREMENT SEE SPEC. 108-19064.
- 4 TOLERANCES UNLESS OTHERWISE SPECIFIED: ±0,15.



PRINTED CIRCUIT BOARD LAYOUT (6 POS./4 CONTACT)

[VIEW SHOWN IS CIRCUIT (NON-COMPONENT) SIDE OF BOARD]  
 PRINTED CIRCUIT BOARD THICKNESS: 1,6mm NOMINAL.  
 TOLERANCES UNLESS OTHERWISE SPECIFIED: ± 0,05.

OBSOLETE

TAPE MOUNTED 800 PCS/REEL	6 POS./ 4 CONTACTS	IN CONTACT AREA: 1,2 µm MIN. SEL. GOLD OVER 1,2 µm MIN. NICKEL	HOUSING COLOR BLACK PBT, UL94 V-0	5-215876-2
		SOLDER TINES: 2,5 µm MIN. TIN OVER 1,2 µm MIN. NICKEL	CONTACT INSERT: PBT, UL94 V-0	
PACKAGING	REMARKS	FINISH	CONTACT COVER: PBT, UL94 V-0	
			CONTACTS: PH-BRONZE	
			MATERIAL	P/N

THIS DRAWING IS A CONTROLLED DOCUMENT.

DWN	P. Willem	10-OCT-05
CHK	P. Willem	10-OCT-05
APVD	J. Broekssteeg	10-OCT-05
PRODUCT SPEC	108-19064	
APPLICATION SPEC	114-19019	
WEIGHT	-	
CUSTOMER DRAWING		

DIMENSIONS:	TOLERANCES UNLESS OTHERWISE SPECIFIED:
mm	
0 PLC	±
1 PLC	±
2 PLC	±
3 PLC	±
4 PLC	±
ANGLES	±
FINISH	-

TE Connectivity			
NAME: MODULAR JACK, SIDE ENTRY, 6/4 FOR PRINTED CIRCUIT BOARD WITH CONTACT COVER			
SIZE	CAGE CODE	DRAWING NO	RESTRICTED TO
A2		C-215876	-
SCALE 4:1		SHEET 4 OF 4	REV AA4

## X-ON Electronics

Largest Supplier of Electrical and Electronic Components

*Click to view similar products for [Modular Connectors / Ethernet Connectors](#) category:*

*Click to view products by [TE Connectivity](#) manufacturer:*

Other Similar products are found below :

[8949-H88/06BLKA/SN](#) [74441-0010/BKN](#) [MP1010RX-1000](#) [MP44RX-1000](#) [PHJ-4P4C-1-V-4](#) [PHP-6P6C-5](#) [GAX-3-66](#) [GAX-8-62](#) [GDCX-PA-66-50](#) [GDCX-PN-64](#) [GDCX-PN-66](#) [GDCX-PN-66-50](#) [GDLX-A-66](#) [GDLX-N-66](#) [GDLX-S-66](#) [GDLX-S-88K](#) [GDTX-S-88-50](#) [GDX-PA-1010](#) [GLX-N-1010M-BLK](#) [GLX-S-88M-BLK](#) [GMX-N-1010](#) [GMX-S-1010](#) [GMX-S-66](#) [GMX-SMT4-N-88](#) [GPX-2-64](#) [GSGX-N-2-88](#) [GSGX-N-4-88](#) [GSX-NS2-88-3.05](#) [GSX-NS2-88-3.05-50](#) [GSX-NS-88-3.05-50](#) [PT-108A-8C-UL](#) [PT-J951-8C](#) [PTS-J531-8CS-50UL](#) [1-1775629-2](#) [A-2014-0-4](#) [GWLX-S-88-GR](#) [GWLX-S9-88-YG](#) [DC-1021-8-WH-6](#) [1300530003](#) [1324640-4](#) [RJ11FTVC2G](#) [RJ11FTVC2N](#) [RJFTVX2SA1G](#) [132764-001](#) [1413235](#) [MP88X-1000](#) [MPS88RX-5000](#) [E5288-S000K3-L](#) [E5908-15A242-L](#) [155302-001](#)