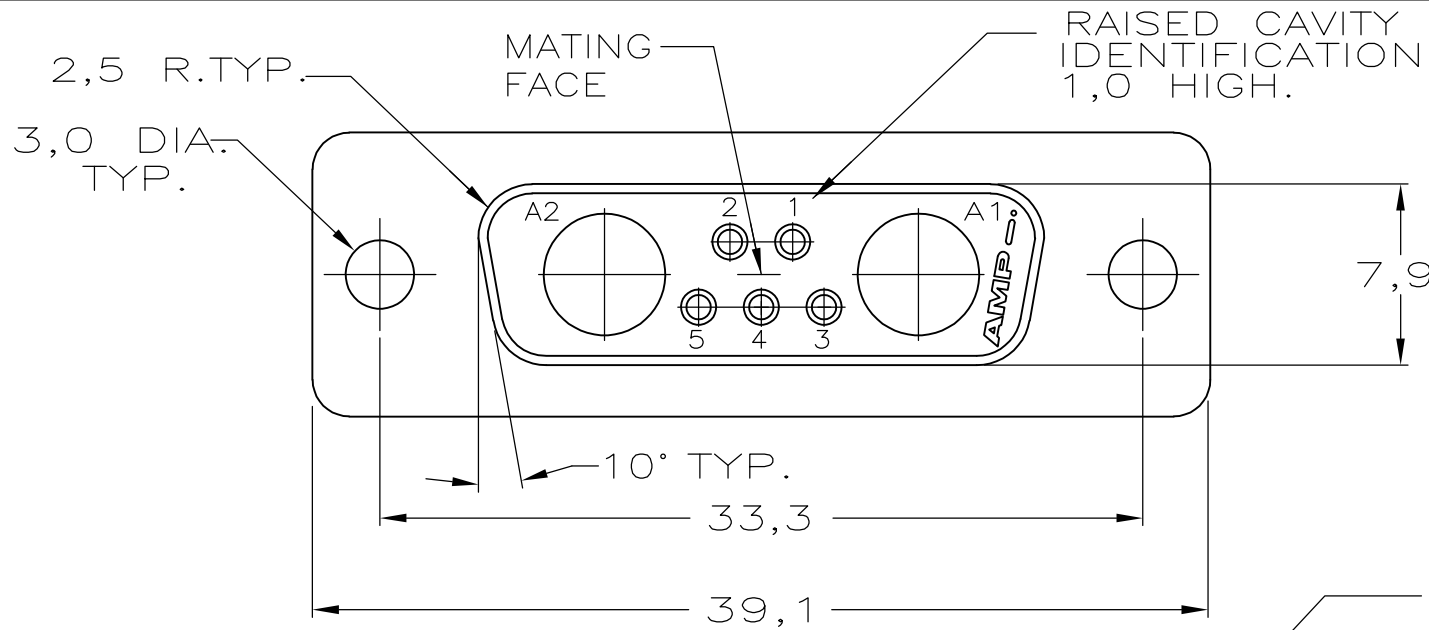
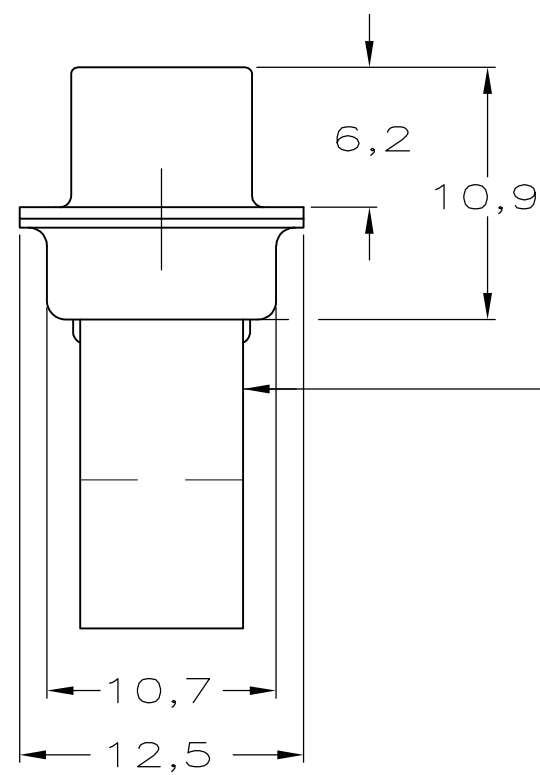
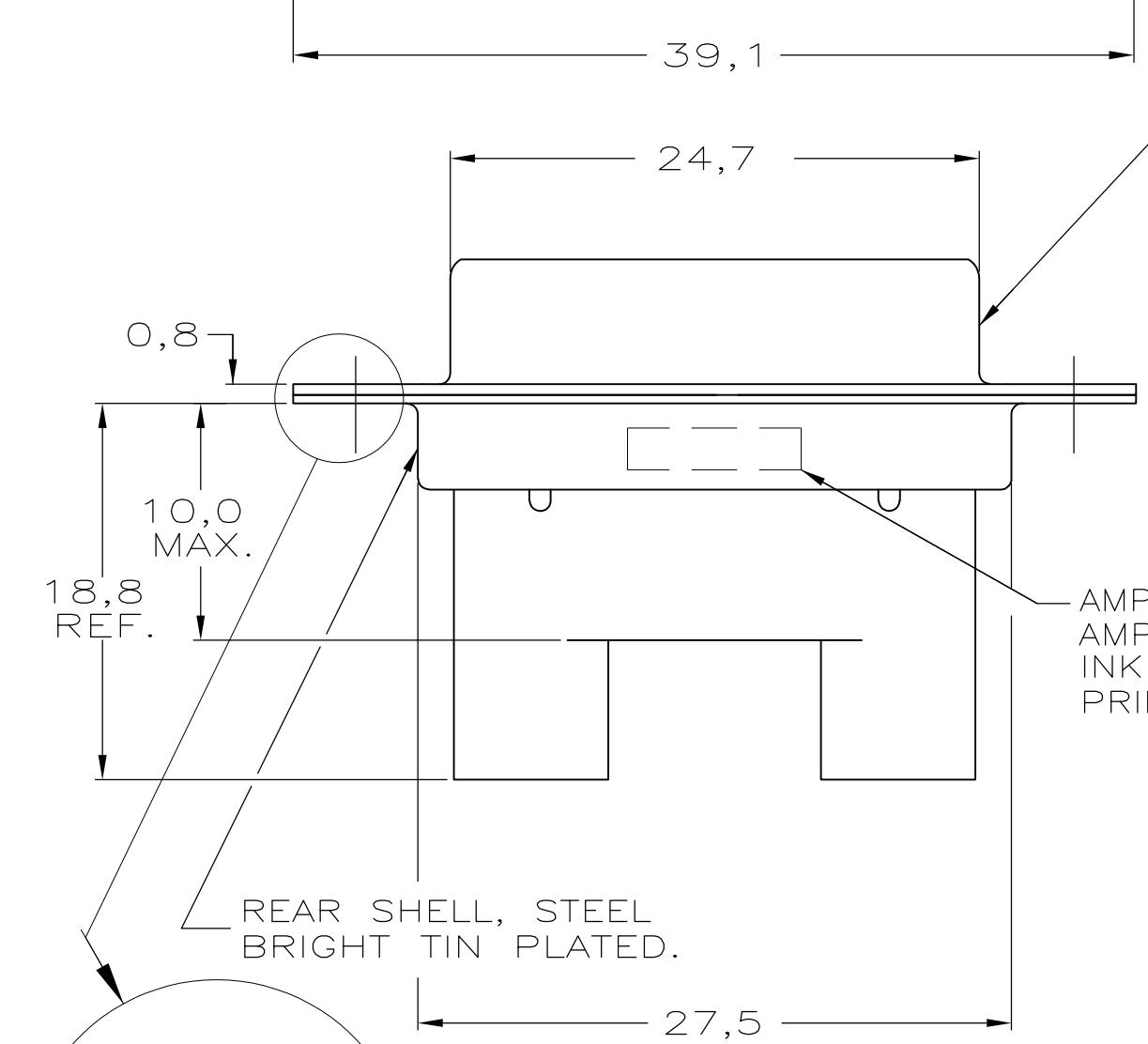


THIS DRAWING IS UNPUBLISHED. RELEASED FOR PUBLICATION  
 © COPYRIGHT - By - ALL RIGHTS RESERVED.

LOC	DIST	REVISIONS					
GP	00	P	LTR	DESCRIPTION	DATE	DWN	APVD
		D		REVISED PER ECO-14-008376	11DEC2014	CJV	DLG



NOTES: 1 THIS PLUG ACCEPT SIZE 20 SIGNAL SOCKET-CONTACTS AND SIZE 8 POWER/COAX SOCKET-CONTACTS.  
 2 FOLLOWING INSERTION/REMOVAL TOOLS ARE RECOMMENDED FOR USE WITH THESE CONNECTORS,  
 SIGNAL CONTACTS:  
 32-28AWG/28-24AWG CONT's | 24-20AWG CONTACTS  
 91067-3 INSERTION/REMOVAL | 91067-2 INSERTION/REMOVAL  
 726363-1 INSERTION ONLY | 726363-1 INSERTION ONLY  
 726364-1 REMOVAL ONLY  
 POWER/COAX CONTACTS : 58095-1 REMOVAL ONLY



215927-1  
PART NUMBER

THIS DRAWING IS A CONTROLLED DOCUMENT.		DWN	R. VISSER	17NOV1987	 TE Connectivity HDP-20 REC. CONNECTOR, 7C2 , MIXED (SIZE 2) (HIGH PROFILE)				
DIMENSIONS: mm		CHK	C. v. TILBURG	17NOV1987					
TOLERANCES UNLESS OTHERWISE SPECIFIED:		APVD	L. V. SOEST	23NOV1987					
0 PLC ± - 1 PLC ± - 2 PLC ± - 3 PLC ± - 4 PLC ± - ANGLES ± -		PRODUCT SPEC		NAME					
MATERIAL		FINISH		WEIGHT	SIZE	CAGE CODE	DRAWING NO	RESTRICTED TO	
-		-		-	A3	00779	C-215927	-	
CUSTOMER DRAWING					SCALE	NTS	SHEET	1 OF 1	REV
					D				

## X-ON Electronics

Largest Supplier of Electrical and Electronic Components

*Click to view similar products for [D-Sub MIL Spec Connectors](#) category:*

*Click to view products by [TE Connectivity](#) manufacturer:*

Other Similar products are found below :

[M85049/50-5F](#) [D38999/24WG11PB-LC](#) [MDM-9SH006A](#) [1218697-4](#) [D38999/26WJ61PC L/C](#) [1484349-1](#) [17D25HV](#) [1996840-1](#) [243082-15](#)  
[1757682-1](#) [17D-E51218-1](#) [17SDA15S](#) [1883533-1](#) [1883886-1](#) [1883889-1](#) [192900-0377](#) [M24308/8-347](#) [M83513/03-E09C](#) [443961-3](#) [5-](#)  
[1218949-1](#) [550-031NF1R6K](#) [3-1236089-2](#) [550E001NF1R3J0L](#) [550T001NF1R6K0L](#) [557T283NF5B08](#) [DB121073-56](#) [DC121073157](#)  
[443869-3](#) [443869-4](#) [443869-5](#) [550S004NF1R1B0F03](#) [557E283NF1A06](#) [527-019NF0303R2K1F](#) [5-446405-1](#) [550-031NF1R2E](#)  
[550E003M2R9J0F04](#) [550E003M3R9J0F05](#) [550E024M104R9J0](#) [550E024NF102R3J0B](#) [550E039NF1R3J1-02](#) [550S003M3R9B0F05](#)  
[550S004M4R7M0F04](#) [550S004NF1R1B1F02](#) [550S008M3F0K0F04](#) [550S086M5R3J0L](#) [550S100NF3F0E](#) [550T001M2R7E0L](#)  
[550T001NF1F0B1L](#) [550T001NF1R1K0G](#) [550T001NF1R3K0G](#)