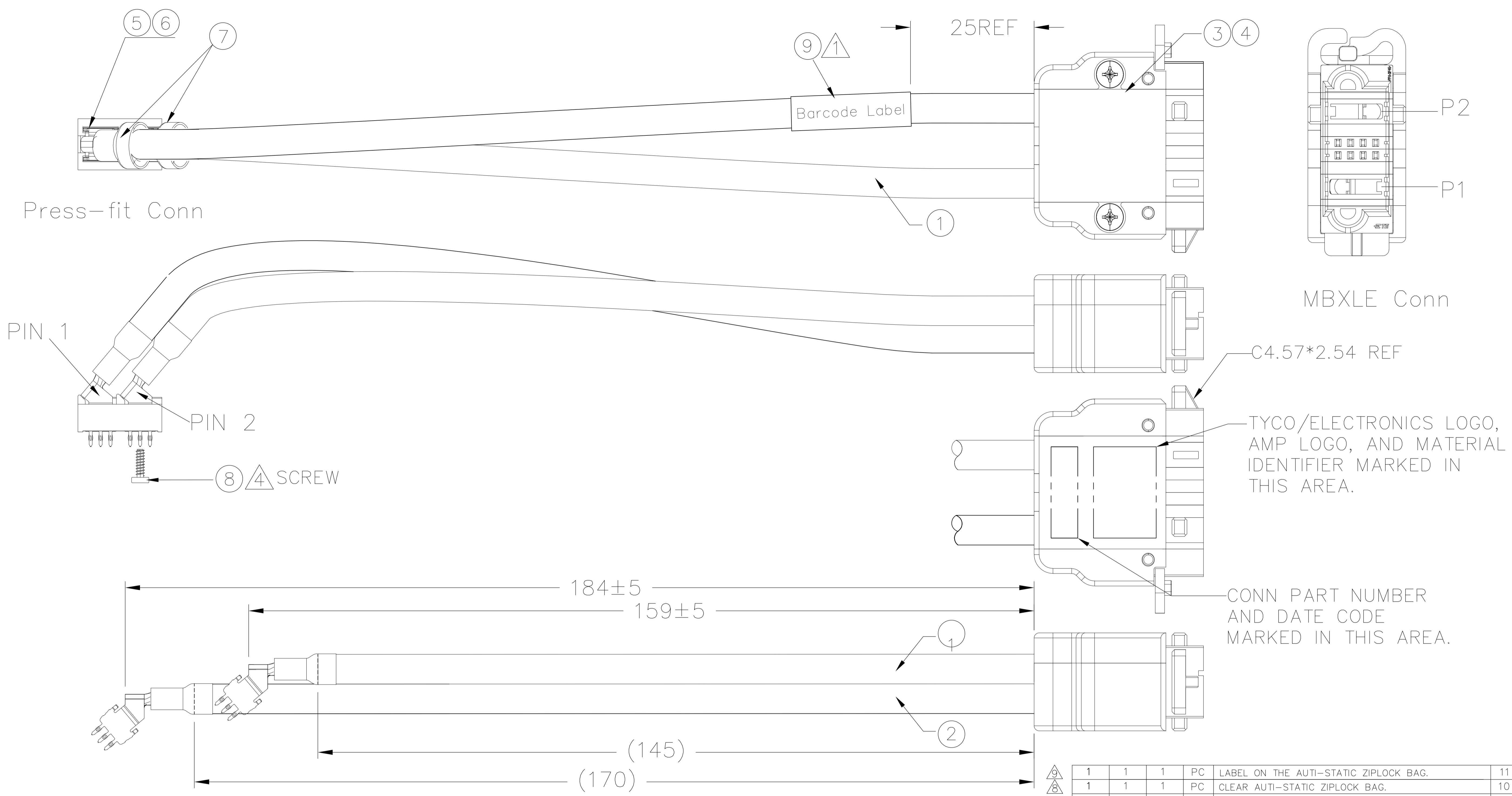


REVISIONS				
P	LTR	DESCRIPTION	DATE	APPV
D2		Correct revision	25MAR2017	JX DZ



NOTES:  
 ▲ THE MARKING TEXT AS FOLLOWS:

Press-fit Cable	TE PN
TE PN: 2159562-X	TE PN
BAR CODE	BAR CODE
SN: PCTYYWSSSSSS	PCT-Press-fit Cable.YYWW-DATE CODE, SSSSS-SERIES NUMBER.

- 100% ELECTRICALLY TESTED: OPEN/SHORT, HI-POT. HI-POT: 500VDC, 50 MEGAOHMS FOR 100 MILLISECONDS.
- ROHS COMPLIANCE: PRODUCT AND PROCESSING MEETS REQUIREMENTS OF TE SPECIFICATION TEC-138-702.
- SCREW FOR PRESS-FIT CONN WILL BE PACKAGED SEPARATELY. RECOMMEND TOOL FOR SCREW: SIZE RANGE 1.7~2MM CROSS SCREWDRIVER, TORQUE RANGE 0.10~0.15N.M.

TE P/N WITH SCREW,LSZH	2159562-3
TE P/N W/O SCREW	2159562-2
TE P/N WITH SCREW	2159562-1

WIRING CHART:

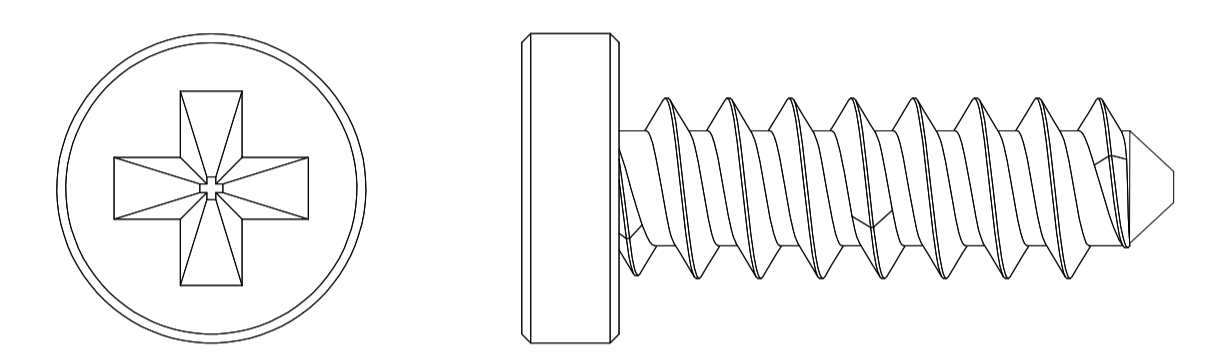
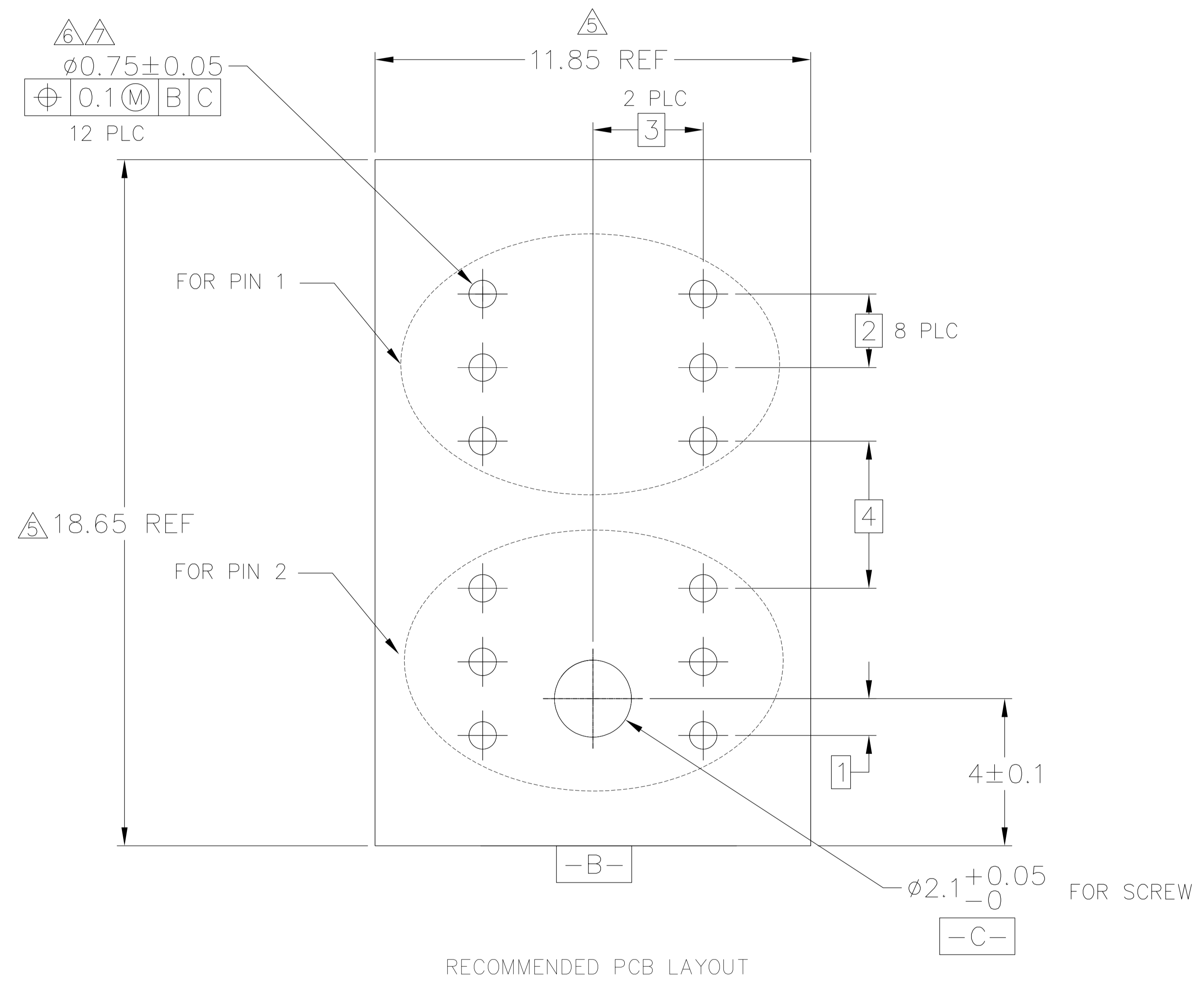
MBXLE Conn	Press-fit Conn	WIRE COLOR	WIRE SIZE
P1	PIN 2	BLACK	8AWG
P2	PIN 1	RED	8AWG

QTY	UNIT	DESCRIPTION	ITEM NO
1	PC	1	11
1	PC	2	10
1	PC	3	9
1	PC	4	8
AR	MM	5	7
1	PC	6	6
2	PC	7	5
2	PC	8	4
1	PC	9	3
AR	M	10	2
AR	M	11	1
-3	U/M	12	

THIS DRAWING IS A CONTROLLED DOCUMENT.

DWN: Grace Li	16DEC2013	TE Connectivity
CHK: Glen Gutgold	16DEC2013	
APPV: David Zhang	16DEC2013	NAME: CABLE ASSY,PRESS FIT POWER
PRODUCT SPEC: 108-128013/2157-1		RESTRICTED TO: -
APPLICATION SPEC: 114-32129/1316		SCALE: N.T.S.
WEIGHT: 63Gram	SIZE: A1	DRAWING NO: 00779
CUSTOMER DRAWING		REV: D2

REVISIONS				
P	LTR	DESCRIPTION	DATE	APPV
-	-	SEE SHEET 1	-	-



RECOMMENDED RETENTION SCREW  
SCREW LENGTH 6.5 IS DESIGNED  
FOR 2.16mm THICKNESS BOARD

NOTES:

- ⑤ MECHANICAL CONNECTOR KEEP OUT ZONE.
- ⑥ PCB- ALL HOLE DIAMETERS ARE FINISHED HOLE SIZES.
- ⑦ PCB- 0.85+0.01/-0.04 DRILLED HOLES PLATED WITH 0.0009 MIN TIN OVER 0.025 MIN Cu PLATING TO ACHIEVE A 0.75±0.05 HOLE.
- ⑧ INDIVIDUALLY PACK EACH CABLE ASSEMBLY WITH A CLEAR ANTI-STATIC ZIPLOCK BAG.
- ⑨ APPLY LABEL ONTO CLEAR ANTI-STATIC ZIPLOCK BAG, THE MARKING TEXT AS FOLLOWS:

TE P/N REV.*	— TE PN &REV.
DATE CODE: YYWW	— YY: Year; WW: week.
MADE IN ****	— Country of Origin

THIS DRAWING IS A CONTROLLED DOCUMENT.		DWN Grace, Li	16DEC2013	 TE Connectivity
DIMENSIONS: mm		CHK Glen Gutgold	16DEC2013	
TOLERANCES UNLESS OTHERWISE SPECIFIED:		APVD Wesley Wang	16DEC2013	NAME CABLE ASSY,PRESS FIT POWER
0 PLC ± -	1 PLC ± -	PRODUCT SPEC SEE SHEET 1		RESTRICTED TO
2 PLC ± -	3 PLC ± -	APPLICATION SPEC SEE SHEET 1		
4 PLC ± -	ANGLES ± -	SIZE A1	CAGE CODE 00779	DRAWING NO 2159562
MATERIAL	FINISH	WEIGHT SEE SHEET 1	CUSTOMER DRAWING	
		SCALE N.T.S	SHEET 2	OF 2
				REV D2

## X-ON Electronics

Largest Supplier of Electrical and Electronic Components

*Click to view similar products for [Specialised Cables](#) category:*

*Click to view products by [TE Connectivity](#) manufacturer:*

Other Similar products are found below :

[603PT6](#) [603SS6L](#) [604PT6](#) [604SS6](#) [706000D02F200](#) [910640](#) [1200740077](#) [1200740114](#) [AC172](#) [ACL-SSI-4](#) [R88ACAKA0015SRE](#)  
[R88ACAWL005SDE](#) [R88ACRGD0R3C](#) [1300150047](#) [1300660036](#) [1302262116](#) [1300150149](#) [1300220020](#) [1300220104](#) [1300220119](#)  
[1301240492](#) [1301810221](#) [1365323-1](#) [1613055](#) [176P12](#) [1971465-2](#) [20240400003](#) [20240400013](#) [2085828-1](#) [20886510030](#) [2-22733-8](#) [22733-](#)  
[8](#) [CB-5PSBC-RS](#) [CB-704EC-RS](#) [CB-BATACC-RS](#) [CB-JST3PSW-RS](#) [CB-M12COM-R10](#) [25AC84](#) [25AK84X](#) [25AU25](#) [25FN82](#) [3011-03](#)  
[AC118](#) [ACL-HHS-1M\(CAT5E\)](#) [SSL009PC2DC012N](#) [FC2A-KC6C](#) [2085828-2](#) [20886510150](#) [CCS-FCB-5](#) [CCSFCBF2](#)