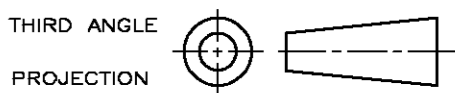


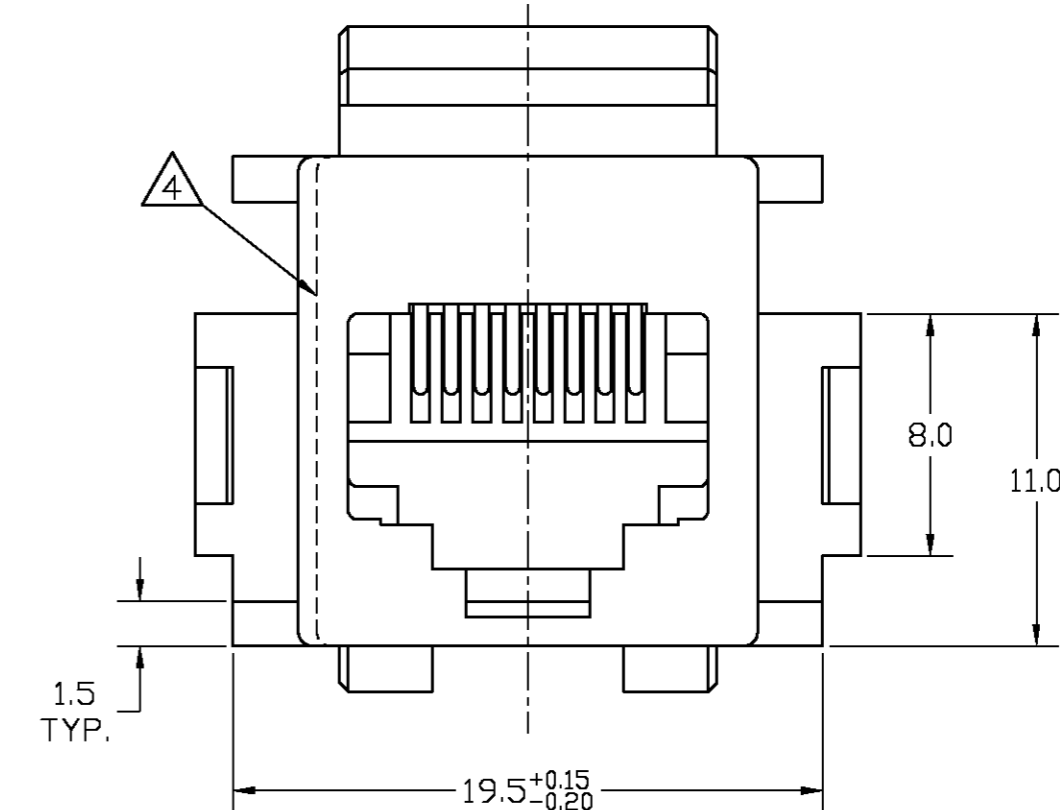
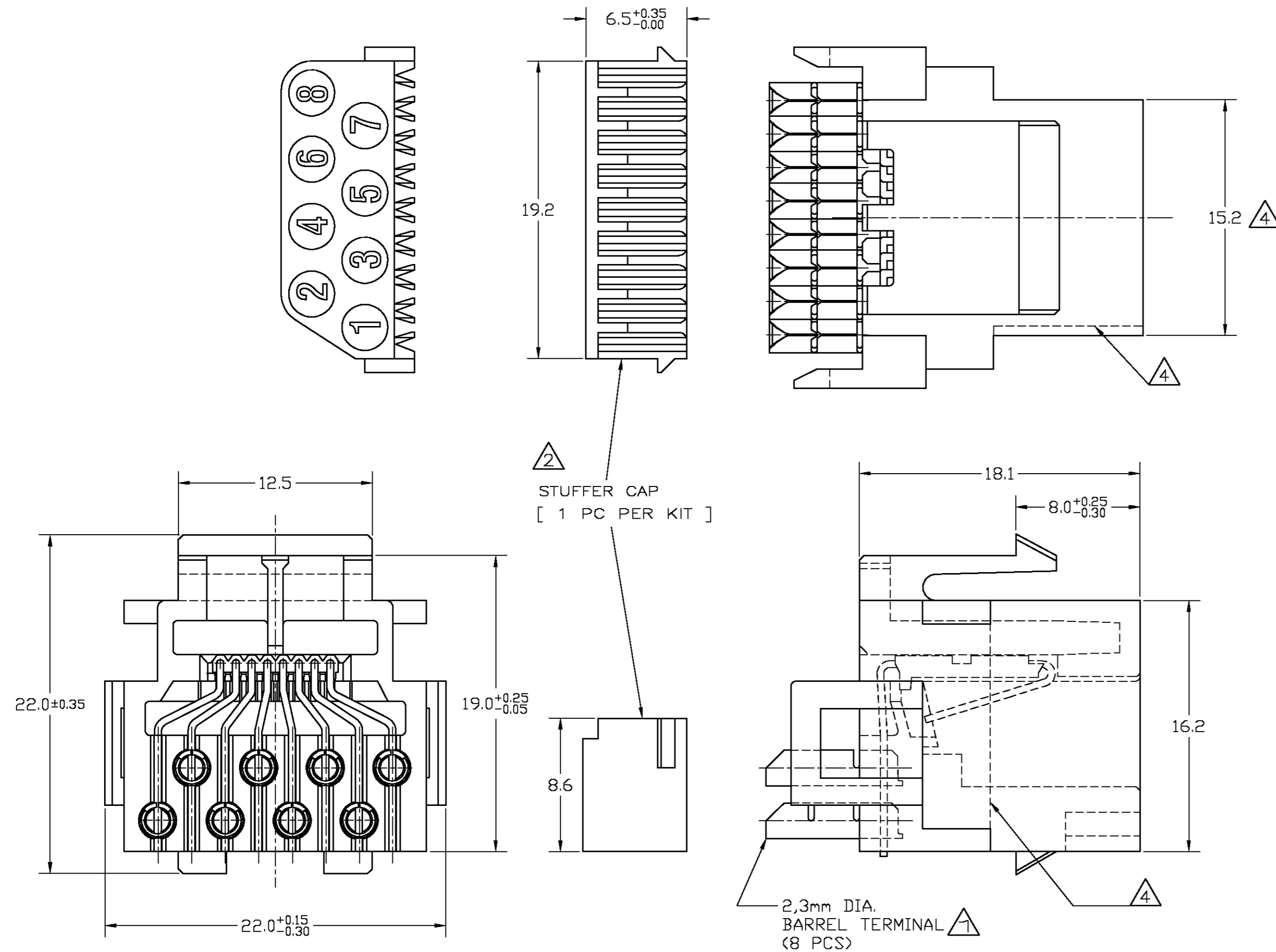
DO NOT SCALE
DIMENSIONS IN mm

METRIC



NOTES:

- △1 BARREL TERMINALS WILL ACCEPT ONE OR TWO WIRES OF THE SAME SIZE PER TERMINAL.
WIRE SIZE FOR SOLID AND STRANDED WIRES:
0,12 mm² (26 AWG)–0,35 mm² (22 AWG).
MAXIMUM INSULATION DIA. 1,2 mm.
- △2 STUFFER CAP IS SHIPPED NOT ASSEMBLED.
- △3 MATERIALS: STUFFER CAP – A.B.S. UL 94HB
BARREL TERMINALS – PHOS.BRONZE, PRE-TINPLATED.
CONTACTS – PHOS.BRONZE, PLATED 1,25µm
SELECTIVE GOLD OVER 1,25µm NICKEL.
HOUSING – PBT, UL 94HB
- △4 FOR 216005-4 DIMENSION 15,2 IS 14,6 ,
CORRESPONDING WITH THE MARKED DASH LINES

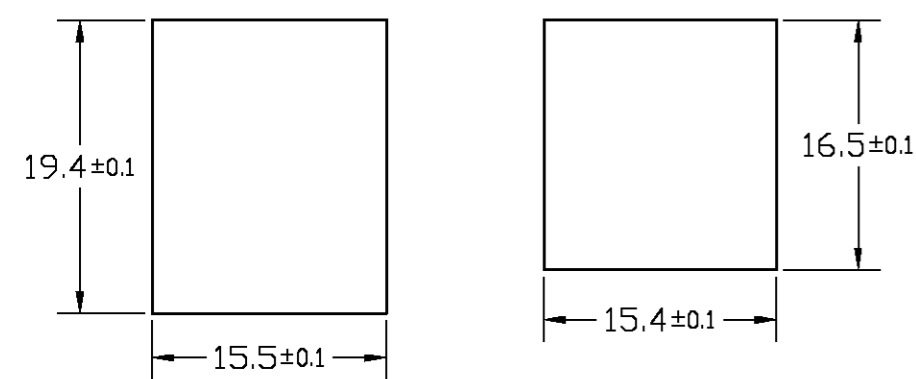


SUGGESTED PANEL CUTOUT DIMENSIONS

SCALE 2 : 1

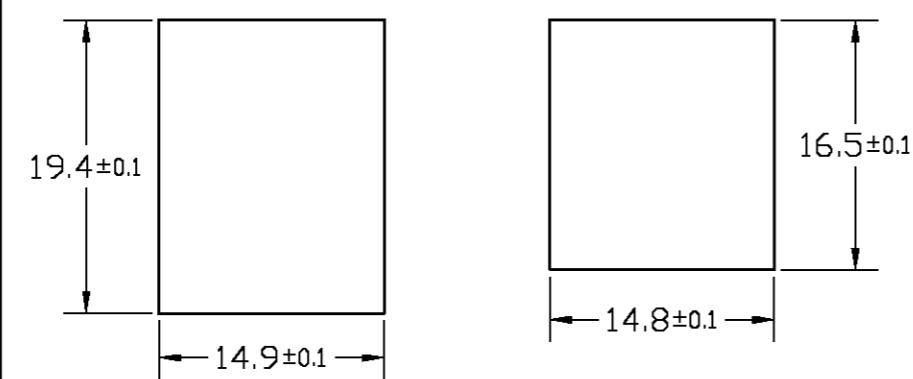
X-216005-1

X-216005-4 AND X-216005-5



CUTOUT FOR BACK PANEL MOUNTING

CUTOUT FOR FRONT PANEL MOUNTING



CUTOUT FOR BACK PANEL MOUNTING

CUTOUT FOR FRONT PANEL MOUNTING

PANEL THICKNESS: 1,6 mm NOMINAL

TOLERANCE: ±0,15 UNLESS SPECIFIED OTHERWISE

500 PCS. IN A BOX	SEE NOTE △3	HOUSING COLOR: BLACK △3 SEE NOTE △3	216005-4 216005-1
PACKAGING	FINISH	MATERIAL	PARTNUMBER

CUSTOMER DRAWING FOR REFERENCE ONLY WILL NOT BE UPDATED

THIS DRAWING IS UNPUBLISHED
RELEASED FOR PUBLICATION _____, 19____



NAME

P1 REVISED PER ECO-11-005294	RK HMR 05APR11	TOOLLESS MODULAR JACK KIT	
LTR. REVISION RECORD	DR. CHK. DATE	8 POS., FOR DISCRETE WIRES	
DR.: J.V.LIEMPT DATE: 21 JAN 91	CHK.: W.BRUMMANS DATE:	APP.: L. SOEST DATE: 12 OCT 99	DWG.No. C-216005
	REV.LTR. P1	SHEET 1 OF 1	A2

X-ON Electronics

Largest Supplier of Electrical and Electronic Components

Click to view similar products for [Modular Connectors / Ethernet Connectors](#) category:

Click to view products by [TE Connectivity](#) manufacturer:

Other Similar products are found below :

[8949-H88/06BLKA/SN](#) [74441-0010/BKN](#) [MP1010RX-1000](#) [MP44RX-1000](#) [PHJ-4P4C-1-V-4](#) [PHP-6P6C-5](#) [GAX-3-66](#) [GAX-8-62](#) [GDCX-PA-66-50](#) [GDCX-PN-64](#) [GDCX-PN-66](#) [GDCX-PN-66-50](#) [GDLX-A-66](#) [GDLX-N-66](#) [GDLX-S-66](#) [GDLX-S-88K](#) [GDLX-SMT-S-88](#) [GDTX-S-88-50](#) [GDX-PA-1010](#) [GLX-N-1010M-BLK](#) [GLX-S-88M-BLK](#) [GMX-N-1010](#) [GMX-S-1010](#) [GMX-S-66](#) [GMX-SMT4-N-88](#) [GPX-2-64](#) [GSGX-N-2-88](#) [GSGX-N-4-88](#) [GSX-NS2-88-3.05](#) [GSX-NS2-88-3.05-50](#) [GSX-NS-88-3.05-50](#) [PT-108A-8C-UL](#) [PT-J951-8C](#) [PTS-J531-8CS-50UL](#) [1-1775629-2](#) [A-2014-0-4](#) [GWLX-S-88-GR](#) [GWLX-S9-88-YG](#) [DC-1021-8-WH-6](#) [1300530003](#) [1324640-4](#) [RJ11FTVC2G](#) [RJ11FTVC2N](#) [RJFTVX2SA1G](#) [132764-001](#) [1413235](#) [MP88X-1000](#) [MPS88RX-5000](#) [E5288-S000K3-L](#) [E5908-15A242-L](#)