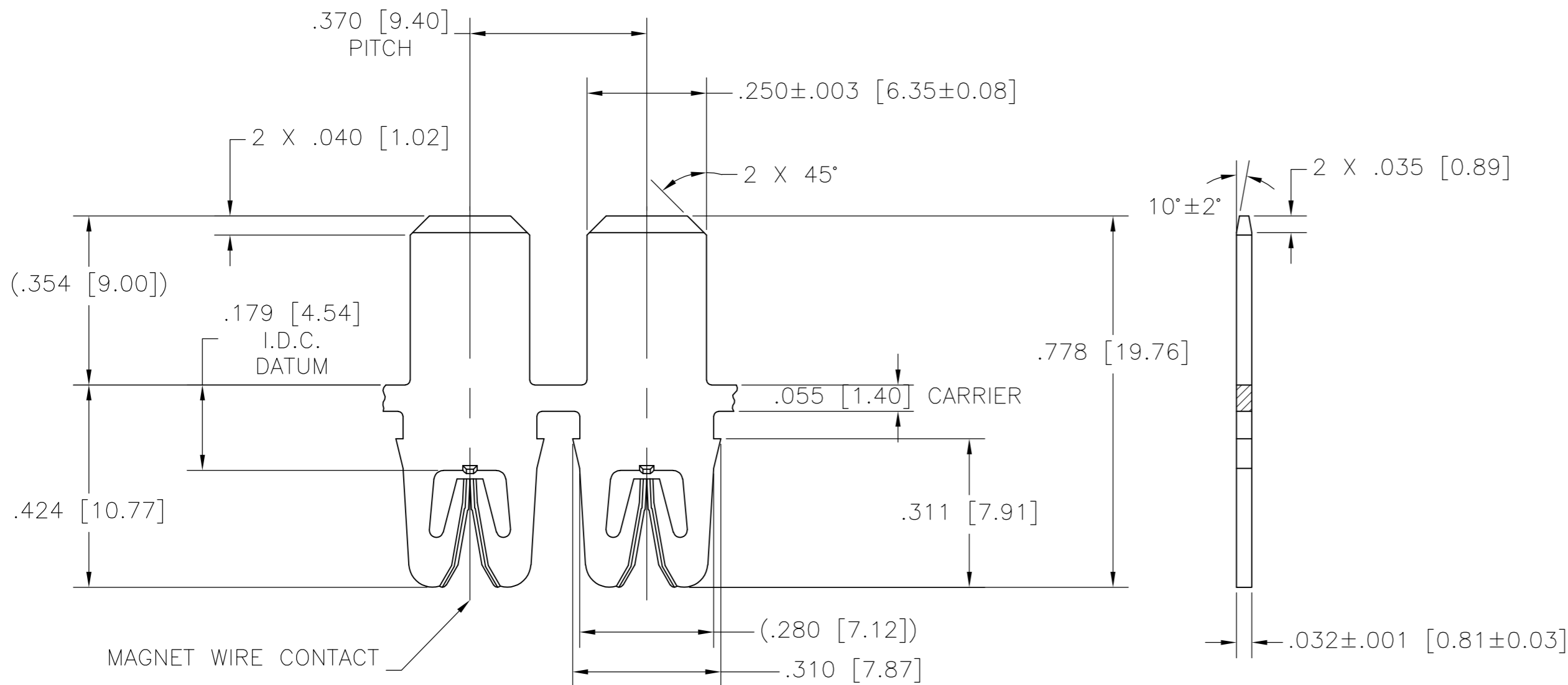
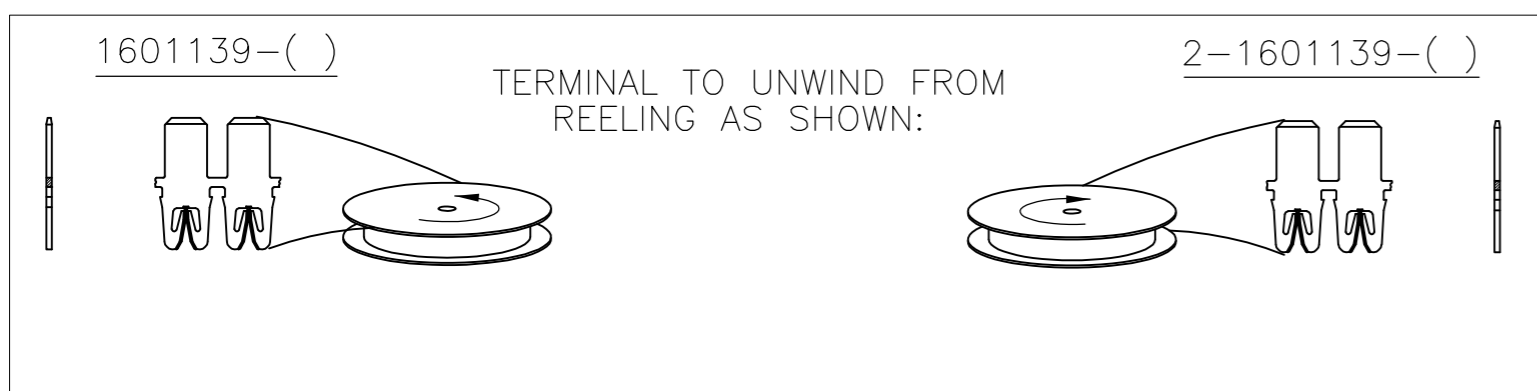
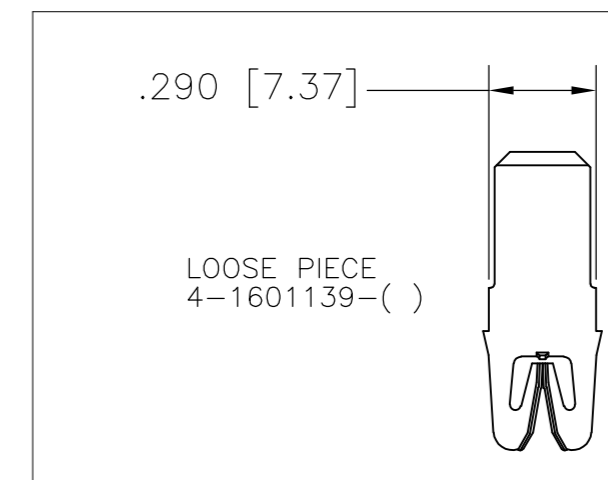


THIS DRAWING IS UNPUBLISHED. RELEASED FOR PUBLICATION  
 © COPYRIGHT BY TYCO ELECTRONICS CORPORATION. ALL RIGHTS RESERVED.

LOC	DIST	REVISIONS			
P	LTR	DESCRIPTION	DATE	DWN	APVD
AF	50	F1	REVISED PER ECR-07-029275	10DEC07	HMR GJ



- 1 SPECIFICATIONS:  
MAGNET WIRE #12 - #23 AWG,  
2.06mm (.081")-0.56mm (.022") DIA COPPER.  
OTHER SIZES MAY BE ACCOMMODATED,  
CONSULT TYCO ELECTRONICS FOR APPROVAL.
- 2 POCKET RECOMMENDATION: #1601438
- 3 TERMINAL APPLICATION TO COMPLY WITH TYCO ELECTRONICS  
SPECIFICATION 114-13210 FIGURE 4.
- 4 PRELIMINARY - NOT FOR PRODUCTION.



FINISH	MATERIAL	PART NUMBER
UNPLATED	1/2 HARD COPPER ALLOY	2-1601139-3
PRE-TIN PLATE	SPRING HARD BRASS	2-1601139-2
UNPLATED	SPRING HARD BRASS	2-1601139-1
PRE-TIN PLATE	SPRING HARD BRASS	1601139-2
UNPLATED	SPRING HARD BRASS	1601139-1

THIS DRAWING IS A CONTROLLED DOCUMENT.		DWN J.WELLER 22FEB2002	Tyco Electronics Corporation Harrisburg, PA 17105-3608	
DIMENSIONS: INCHES		CHK M.FEHER 25FEB02	NAME	
TOLERANCES UNLESS OTHERWISE SPECIFIED:		APVD G. JACONO 25FEB02	PRODUCT SPEC	
0 PLC ± -		108-2239		
1 PLC ± -		APPLICATION SPEC		
2 PLC ± .01[0.25]		SIZE 3		
3 PLC ± .005[0.13]		CAGE CODE A2 00779		
4 PLC ± -		DRAWING NO C=1601139		
ANGLES ± 2°		RESTRICTED TO		
MATERIAL SEE TABLE	FINISH SEE TABLE	WEIGHT -	SCALE 4:1	SHEET 1 OF 1
CUSTOMER DRAWING		REV F1		

## X-ON Electronics

Largest Supplier of Electrical and Electronic Components

*Click to view similar products for [Terminals](#) category:*

*Click to view products by [TE Connectivity](#) manufacturer:*

Other Similar products are found below :

[HT-13-10](#) [71M-250-32-NB](#) [01-2065-1-0216](#) [00581P0075](#) [M10-10RX](#) [M10BCK](#) [60205-1](#) [604200-1](#) [60598-1-CUT-TAPE](#) [60617-1-C](#) [60873-1](#) [M14-516R/SK](#) [M14-6RSX](#) [M18-8FBX](#) [M18-8R/LX](#) [M18BCK](#) [61314-6-C](#) [61-S](#) [61-SN-A](#) [62-NBM-A](#) [63-S](#) [640179-1](#) [640917-2-CUT-TAPE](#) [6501550002](#) [66107-2-C](#) [696683-1](#) [696834-1](#) [696861-1](#) [696931-1](#) [696999-1](#) [M8-516RK](#) [M86700006](#) [MA250DMFMX-A](#) [701-2007](#) [701-2307](#) [701-7761-03](#) [70F-110-32-PB](#) [718-N-A](#) [71M-187-20-NBL](#) [71M-250-32-NBL](#) [72F-187-20-NBL](#) [72M-250-32-NBL](#) [7310](#) [73F-250-32](#) [73F-250-32-NL](#) [F14-10C](#) [F-1M](#) [751-250](#) [76650-5002](#) [76828-149](#)