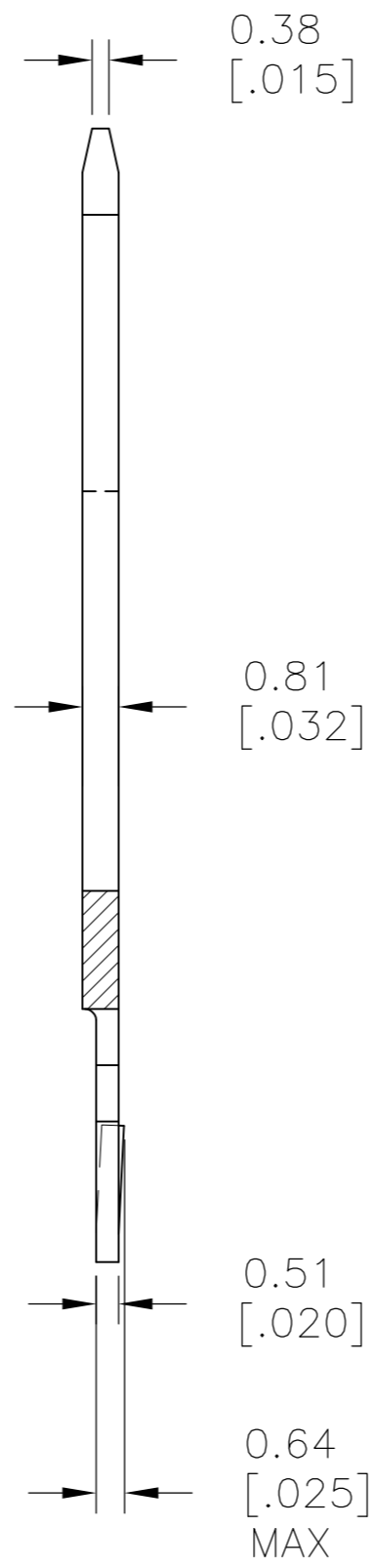
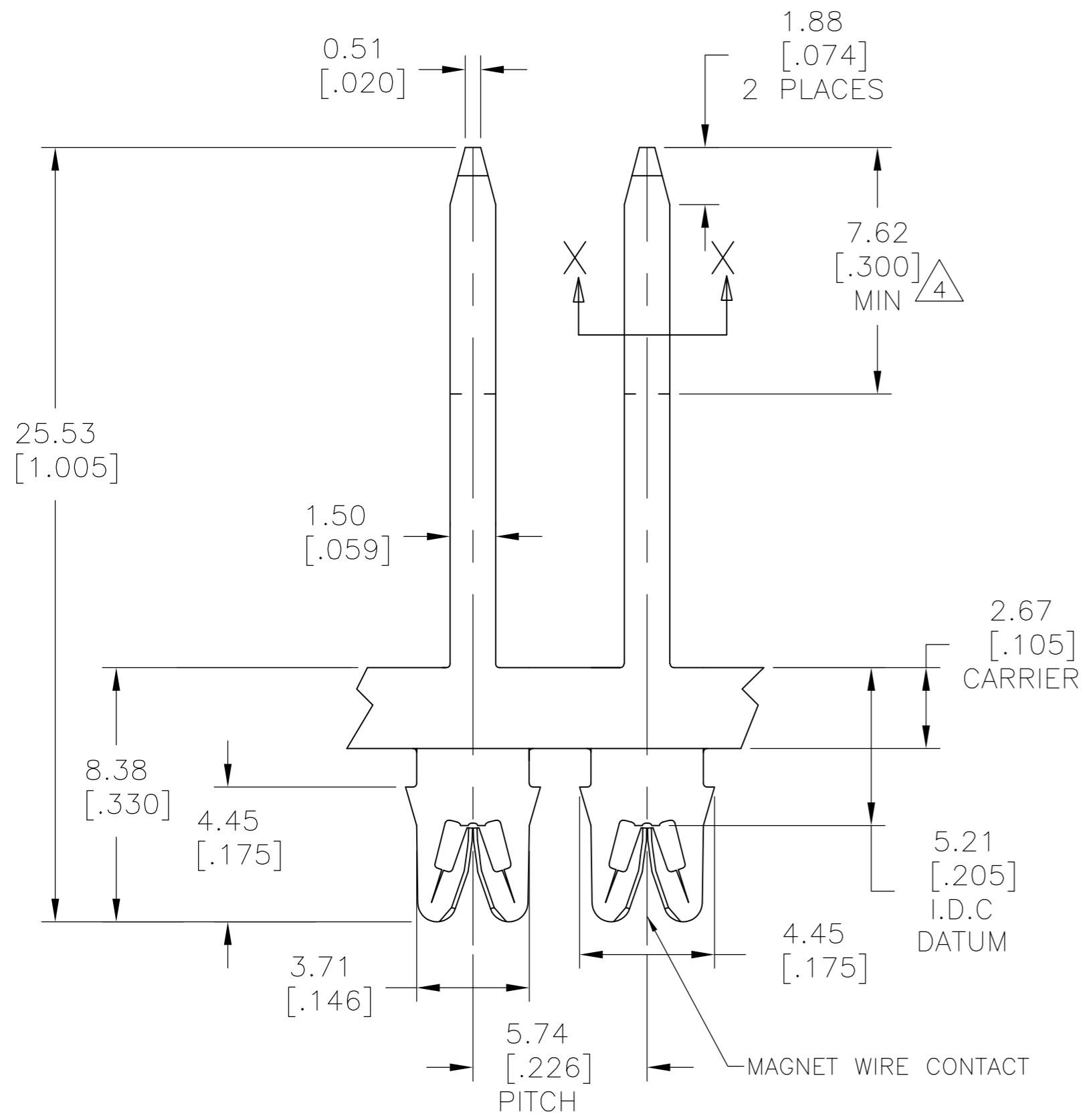
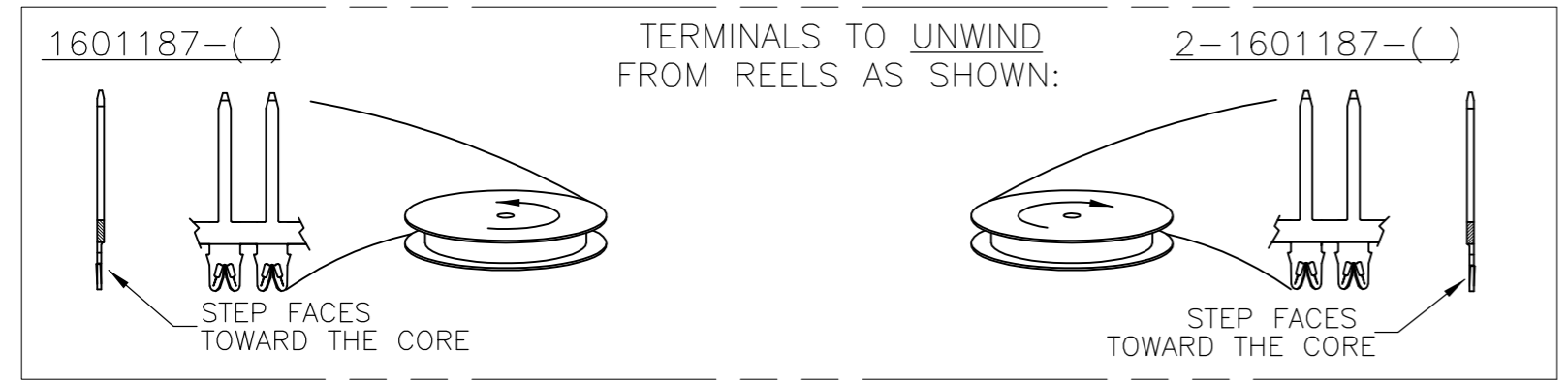
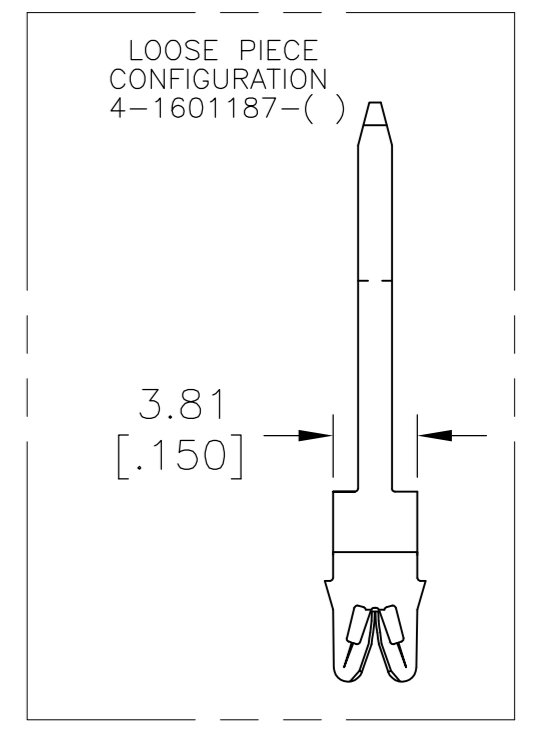
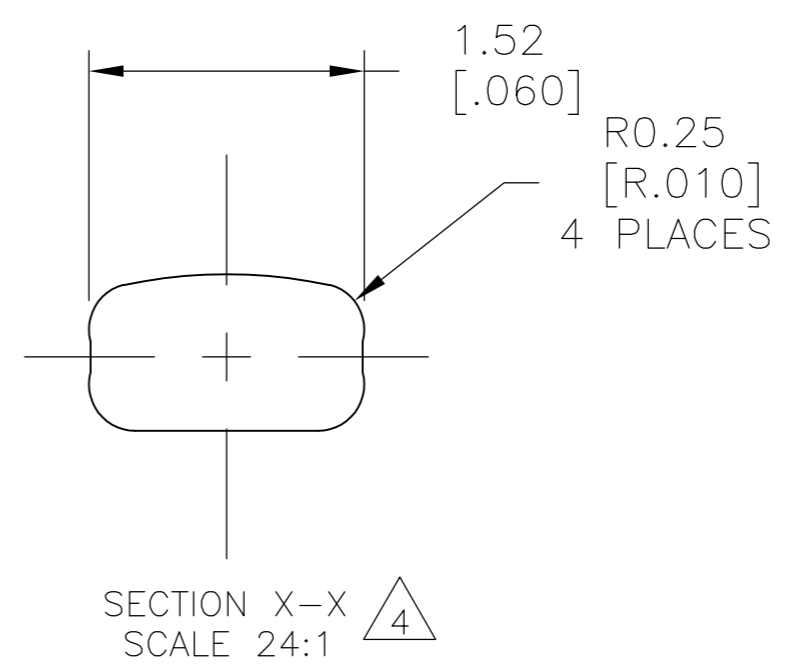


THIS DRAWING IS UNPUBLISHED. RELEASED FOR PUBLICATION
 © COPYRIGHT BY TYCO ELECTRONICS CORPORATION. ALL INTERNATIONAL RIGHTS RESERVED.

LOC		DIST		REVISIONS			
P	LTR	DESCRIPTION		DATE	DWN	APVD	
AF	50	C1	REVISED PER ECR-10-006140	08APR10	HMR	CJ	



- 1 MAGNET WIRE: #18-#34 AWG, 1.02-0.16[.40-.006] DIA COPPER.
- 2 POCKET RECOMMENDATION: 1601431.
- 3 TERMINAL APPLICATION TO COMPLY WITH TYCO ELECTRONICS SPECIFICATION 114-13166 FIGURE 10.
- 4 ROUNDED TAB TO FIT THROUGH 1.60[.063] DIA RING GAGE. WILL NOT PASS THRU 1.50[.059] DIA RING GAGE OVER INDICATED LENGTH.
- 5 TWO (2) TERMINALS SHOWN FOR ILLUSTRATION PURPOSES ONLY.



PRE-TIN PLATE OVER COPPER UNDERPLATE	2-1601187-2
PRE-TIN PLATE OVER COPPER UNDERPLATE	1601187-2
FINISH	PART NUMBER

THIS DRAWING IS A CONTROLLED DOCUMENT.		DWN MICHAEL S. FEHER 06JAN2004	Tyco Electronics Corporation Harrisburg, PA 17105-3608	
DIMENSIONS: mm [INCHES]		CHK GENE JACONO 06JAN2004	NAME PSEUDO ROUND TAB SIAMEZE TERMINAL	
TOLERANCES UNLESS OTHERWISE SPECIFIED:		APVD GENE JACONO 06JAN2004	PRODUCT SPEC 108-2085	
0 PLC ± -		APPLICATION SPEC 3		
1 PLC ± -		SIZE A2		
2 PLC ± 0.13[.005]		CAGE CODE 00779		
3 PLC ± -		DRAWING NO C=1601187		
4 PLC ± -		RESTRICTED TO -		
ANGLES ± 2°		SCALE 6:1		
FINISH SEE TABLE		SHEET 1 OF 1		
MATERIAL BRASS, 3/4 HARD		REV C1		
CUSTOMER DRAWING				

X-ON Electronics

Largest Supplier of Electrical and Electronic Components

Click to view similar products for [Terminals](#) category:

Click to view products by [TE Connectivity](#) manufacturer:

Other Similar products are found below :

[HT-13-10](#) [71M-250-32-NB](#) [01-2065-1-0216](#) [00581P0075](#) [M10-10RX](#) [M10BCK](#) [60205-1](#) [604200-1](#) [60598-1-CUT-TAPE](#) [60617-1-C](#) [60873-1](#) [M14-516R/SK](#) [M14-6RSX](#) [M18-8FBX](#) [M18-8R/LX](#) [M18BCK](#) [61314-6-C](#) [61-S](#) [61-SN-A](#) [62-NBM-A](#) [63-S](#) [640179-1](#) [640917-2-CUT-TAPE](#) [6501550002](#) [66107-2-C](#) [696683-1](#) [696834-1](#) [696861-1](#) [696931-1](#) [696999-1](#) [M8-516RK](#) [M86700006](#) [MA250DMFMX-A](#) [701-2007](#) [701-2307](#) [701-7761-03](#) [70F-110-32-PB](#) [718-N-A](#) [71M-187-20-NBL](#) [71M-250-32-NBL](#) [72F-187-20-NBL](#) [72M-250-32-NBL](#) [7310](#) [73F-250-32](#) [73F-250-32-NL](#) [F14-10C](#) [F-1M](#) [751-250](#) [76650-5002](#) [76828-149](#)