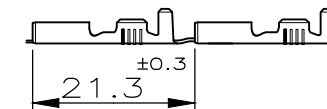


REVISIONS

P	LTR	DESCRIPTION	DATE	DWN	APVD
	CU10	REVISED PER ECO-18-010559	22Feb2019	DT	TD

1) STATO DI FORNITURA - SCALA 1:1
(SUPPLY CONDITION - SCALE 1:1)



SENSO DI USCITA
DEL TERMINALE
DALLA BOBINA
(DIRECTION OFF
TOP OF REEL)

2) SPECIFICA DI PRODOTTO 108-20019
(PRODUCT SPEC. 108-20019)
SPECIFICA DI APPLICAZIONE 114-20023
(APPLICATION SPEC. 114-20023).

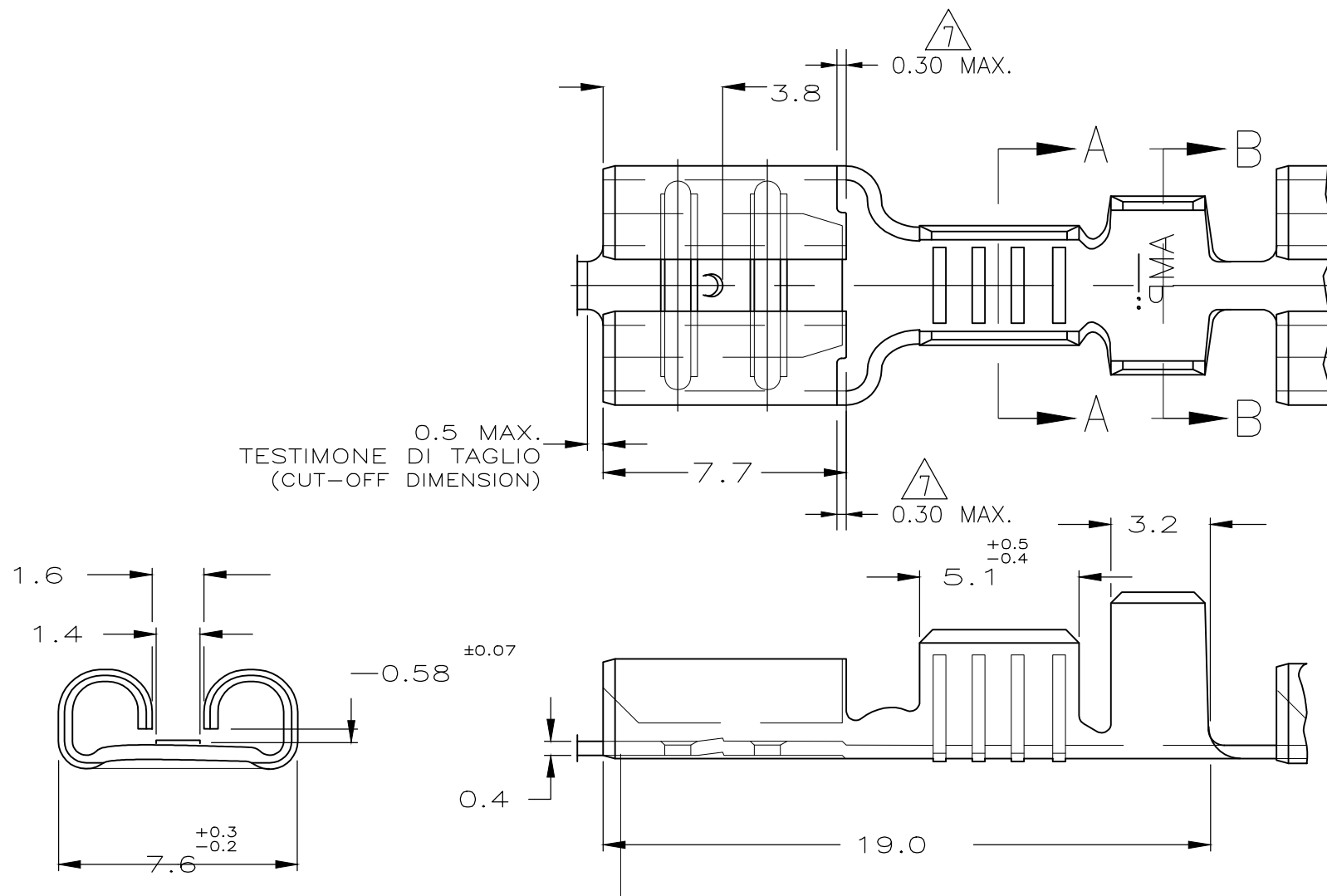
3) PER LE VERSIONI IN PEZZI SCIOLTI
VEDERE DISEGNO 160304
(FOR LOOSE PIECE VERSION SEE DRAWING 160304).

4) 115-16-1, GIUNZIONE MEDIANTE SALDATURA
(115-16-1, SPLICE FREE).

5 BOBINATO CON CARTA INTERPOSTA
(REELED WITH INTERLEAVE PAPER STRIP).

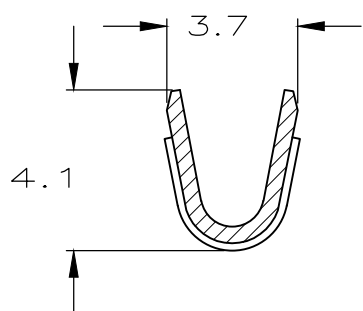
6 OBSOLETE PARTS: OBSOLETE CIS STREAMLINING PER D.RENAUD/D.SINISI

7 STEP IS ALLOWED BY 0.3mm MAX.
IT DOES NOT HAVE IMPACT ON PRODUCT FUNCTIONALITY.

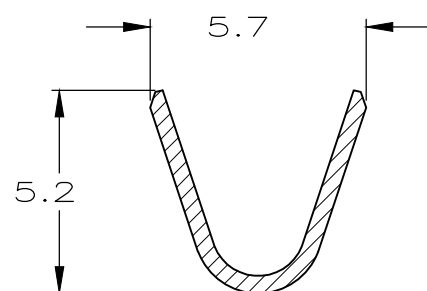


for 0.8 mm tab thickness.

SEZIONE A-A
(SECTION A-A)



SEZIONE B-B
(SECTION B-B)



6 OBSOLETE

6 OBSOLETE

5	STAGNATO (TIN PLATED)	BRONZO FOS. (PH. BRONZE)	9-160256-9	CU9
5	NUDO (UNPLATED)	BRONZO FOS. (PH. BRONZE)	4-160256-9	CU
	ARGENTATO (SILVER PLATED)	OTTONE (BRASS)	4-160256-7	CU
	NUDO (UNPLATED)	BRONZO FOS. (PH. BRONZE)	4-160256-5	CT
5	PRE NICHELATO (PRE NICKEL PLATED)	ACCIAIO (STEEL)	4-160256-2	CT
	STAGNATO (TIN PLATED)	BRONZO FOS. (PH. BRONZE)	3-160256-1	CT
	NUDO (UNPLATED)	BRONZO FOS. (PH. BRONZE)	2-160256-8	CT
5	STAGNATO (TIN PLATED)	OTTONE (BRASS)	2-160256-2	CU
	NUDO (UNPLATED)	OTTONE (BRASS)	2-160256-1	CT
	PRE NICHELATO (PRE NICKEL PLATED)	ACCIAIO (STEEL)	0-160256-5	CT
NOTE	FINITURA / COLORE (FINISH / COLOUR)	MATERIALE (MATERIAL)	NUMERO (PART NO)	REV

THIS DRAWING IS A CONTROLLED DOCUMENT.

DWN H. YAALI 27 JAN 2000

CHK C. TARTARI 26Jan2000

APVD -

PRODUCT SPEC -

APPLICATION SPEC -

WEIGHT 0.000000

CUSTOMER DRAWING

DIMENSIONS:	TOLERANCES UNLESS OTHERWISE SPECIFIED:
mm	
0 PLC	± 0.3
1 PLC	± -
2 PLC	± -
3 PLC	± -
4 PLC	± -
ANGLES	2° ±

MATERIAL - FINISH -

DIAM. ISOLANTE (INS. DIA. RANGE)	RANGO FILO (WIRE RANGE)
3.0-4.3mm DIA.	1.0-2.5 mm2



FASTON® Connector,
.250 sr. REC. CONTACT.

SIZE	CAGE CODE	DRAWING NO	RESTRICTED TO
A3	00779	C-160256	-

SCALE 5:1 SHEET 1 OF 1 REV CU10

X-ON Electronics

Largest Supplier of Electrical and Electronic Components

Click to view similar products for [Terminals](#) category:

Click to view products by [TE Connectivity](#) manufacturer:

Other Similar products are found below :

[00-054007-01074-6](#) [00-054007-70206-1](#) [00-054007-70210-8](#) [00-054007-70217-7](#) [00-054007-70226-9](#) [00-054007-70228-3](#) [00-054007-70248-1](#) [00-054007-70256-6](#) [00-054007-70301-3](#) [00-054007-70316-7](#) [0-0320562-0](#) [00-054007-49560-4](#) [00-054007-70209-2](#) [00-054007-70225-2](#) [00-054007-70227-6](#) [00-054007-70231-3](#) [00-054007-70241-2](#) [00-054007-70242-9](#) [00-054007-70244-3](#) [00-054007-70246-7](#) [00-054007-70263-4](#) [00-054007-70288-7](#) [00-054007-70290-0](#) [00-054007-70300-6](#) [00-054007-70304-4](#) [01-2065-1-0216](#) [01-2900-1-04412](#) [00581P0075](#) [600TS-10](#) [60205-1](#) [604200-1](#) [605601-1](#) [60598-1-CUT-TAPE](#) [61314-6-C](#) [61810-3](#) [61-S](#) [61-SN](#) [626-0194](#) [62-NBM-A](#) [62-SN](#) [62-SP](#) [63-S](#) [640179-1](#) [M55155/059I03](#) [M55155/079C01](#) [M55155/099H02](#) [M55155/109H01](#) [M55155/109H02](#) [M55155/12XH05](#) [M55155/16XH02](#)