

THIS DRAWING IS UNPUBLISHED.

RELEASED FOR PUBLICATION

LOC

DIST

REVISIONS

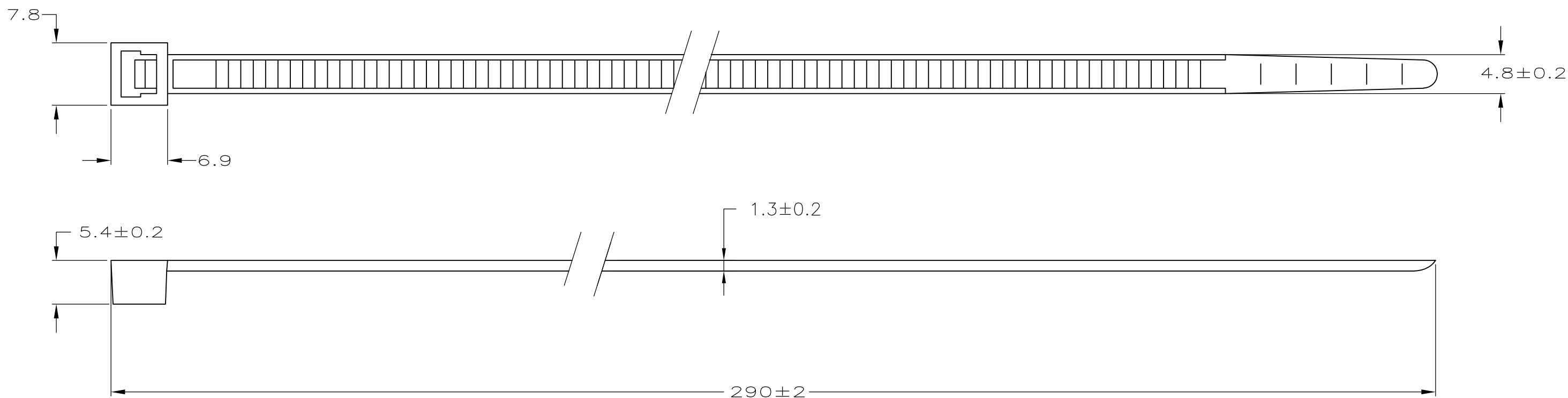
© COPYRIGHT - By -

ALL RIGHTS RESERVED.

| P | LTR | DESCRIPTION | DATE | DWN | APVD |
|---|-----|---|-----------|-----|------|
| | C | VENDOR CHANGE; DIMENSION CHANGE ROLL BACK | 21DEC2012 | SP | RP |

NOTES:

- 1 RANGE: $\phi 79$ MAX.
- 2 MIN. TENSILE STRENGTH 220N.



| | | | |
|-----|---------|---------------|-------------|
| 100 | BLACK | POLYAMIDE 6.6 | 2-160977-2 |
| 100 | NATURAL | POLYAMIDE 6.6 | 2-160977-1 |
| QTY | FINISH | MATERIAL | PART NUMBER |

| | | | | | | | | | | | | | | | | |
|--|---------------------|--------------------------------|----------------------------|--------------------|-------|-------|-----|-------|-----|-------|-----|--------|-----|-------------------|--------------------|--|
| THIS DRAWING IS A CONTROLLED DOCUMENT. | | DWN J.V.D.HEIJDEN. 27-02-92 | STE TE Connectivity | | | | | | | | | | | | | |
| DIMENSIONS: mm | | CHK R.VOS. | | | NAME | | | | | | | | | | | |
| TOLERANCES UNLESS OTHERWISE SPECIFIED: | | APVD L.V.SOEST. | CABLE TY. | | | | | | | | | | | | | |
| <table border="0"> <tr><td>0 PLC</td><td>± -</td></tr> <tr><td>1 PLC</td><td>± 0.4</td></tr> <tr><td>2 PLC</td><td>± -</td></tr> <tr><td>3 PLC</td><td>± -</td></tr> <tr><td>4 PLC</td><td>± -</td></tr> <tr><td>ANGLES</td><td>± -</td></tr> </table> | | 0 PLC | ± - | 1 PLC | ± 0.4 | 2 PLC | ± - | 3 PLC | ± - | 4 PLC | ± - | ANGLES | ± - | PRODUCT SPEC - | RESTRICTED TO - | |
| 0 PLC | ± - | | | | | | | | | | | | | | | |
| 1 PLC | ± 0.4 | | | | | | | | | | | | | | | |
| 2 PLC | ± - | | | | | | | | | | | | | | | |
| 3 PLC | ± - | | | | | | | | | | | | | | | |
| 4 PLC | ± - | | | | | | | | | | | | | | | |
| ANGLES | ± - | | | | | | | | | | | | | | | |
| MATERIAL SEE TABLE | FINISH SEE TABLE | APPLICATION SPEC - | SIZE A3 | CAGE CODE 00779 | | | | | | | | | | | | |
| | | WEIGHT - | DRAWING NO C-160977 | SCALE NTS | | | | | | | | | | | | |
| CUSTOMER DRAWING | | | SHEET 1 OF 1 | REV C | | | | | | | | | | | | |

X-ON Electronics

Largest Supplier of Electrical and Electronic Components

Click to view similar products for [Cable Ties](#) category:

Click to view products by [TE Connectivity](#) manufacturer:

Other Similar products are found below :

[65037-C](#) [770-1751-10](#) [REL50L0C2](#) [20093-0](#) [SF600-120X](#) [SJ3518FR-1x50](#) [SJ3526N-Beige-2"x50yd](#) [SJ3526N BLACK 58" X 50YD](#) [SJ3571](#)
[SJ-3571-1"x50yd-Black](#) [PLT2S-C4](#) [34-455-C](#) [3722](#) [561-B110120](#) [561-N3510](#) [TYZ528M](#) [34-463-C](#) [URT20S-M](#) [06226](#) [08350-0](#) [08600-0](#)
[08376-0](#) [10325-0](#) [10362-0](#) [10606-0](#) [561-EZ250](#) [561-EZ625](#) [SJ3527N-Beige-2"x50yd](#) [SJ3527N-LOOP-BLACK-1](#) [SJ3572-2"x50yd-Black](#)
[CF5625-000](#) [65004-C](#) [65005-C](#) [65007-C](#) [65036-C](#) [157-00039](#) [770-1708](#) [770-1753-10](#) [770-1752](#) [SPNY-041-9](#) [SF400-120X](#) [3719](#) [08582-0](#)
[08386-0](#) [10431-0](#) [08359-0](#) [10620-0](#) [10345-0](#) [08416-0](#) [08384-0](#)