

PART NUMBER LARGE QTY.	NUMBER OF POS.	"L"	"M"
0-161394-1	1	5,08	-
0-161394-2	2	7,62	2,54
0-161394-3	3	10,16	5,08
0-161394-4	4	12,70	7,62
0-161394-5	5	15,24	10,16
0-161394-6	6	17,78	12,70
0-161394-7	7	20,32	15,24
0-161394-8	8	22,86	17,78
0-161394-9	9	25,40	20,32
1-161394-0	10	27,94	22,86
1-161394-1	11	30,48	25,40
1-161394-2	12	33,02	27,94
1-161394-3	13	35,56	30,48
1-161394-4	14	38,10	33,02
1-161394-5	15	40,64	35,56
1-161394-6	16	43,18	38,10
1-161394-7	17	45,72	40,64
1-161394-8	18	48,26	43,18
1-161394-9	19	50,80	45,72
2-161394-0	20	53,34	48,26
2-161394-1	21	55,88	50,80
2-161394-2	22	58,42	53,34
2-161394-3	23	60,96	55,88
2-161394-4	24	63,50	58,42
2-161394-5	25	66,04	60,96
2-161394-6	26	68,58	63,50
2-161394-7	27	71,12	66,04
2-161394-8	28	73,66	68,58
2-161394-9	29	76,20	71,12
3-161394-0	30	78,84	73,66

DO NOT SCALE
DIMENSIONS IN mm

METRIC



AMP PRODUCT SPEC.: 108-19036.

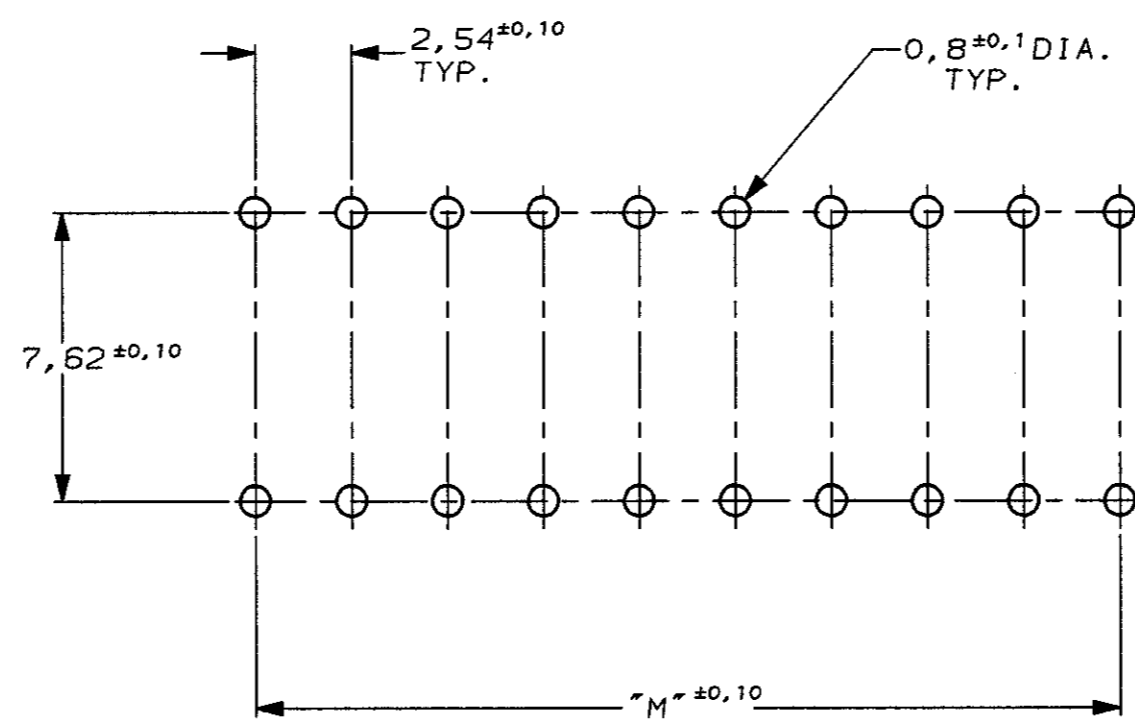
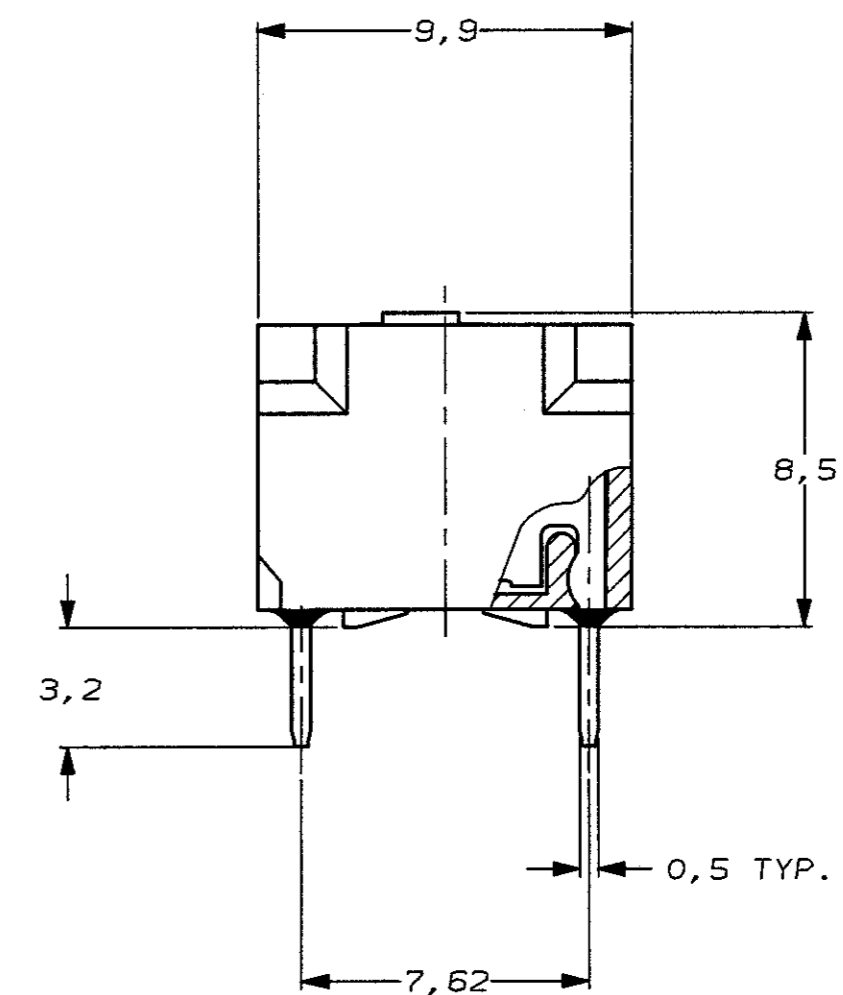
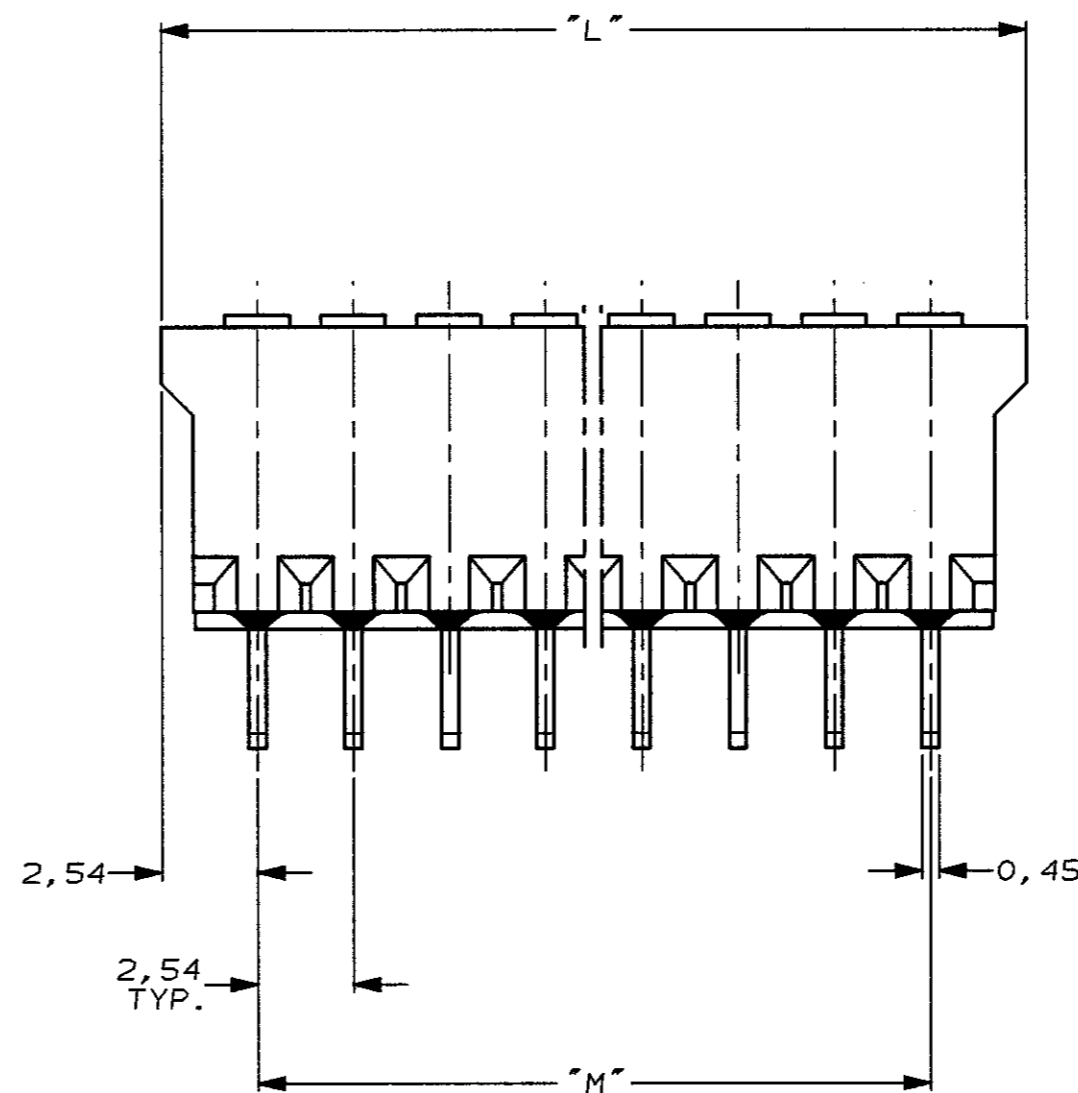
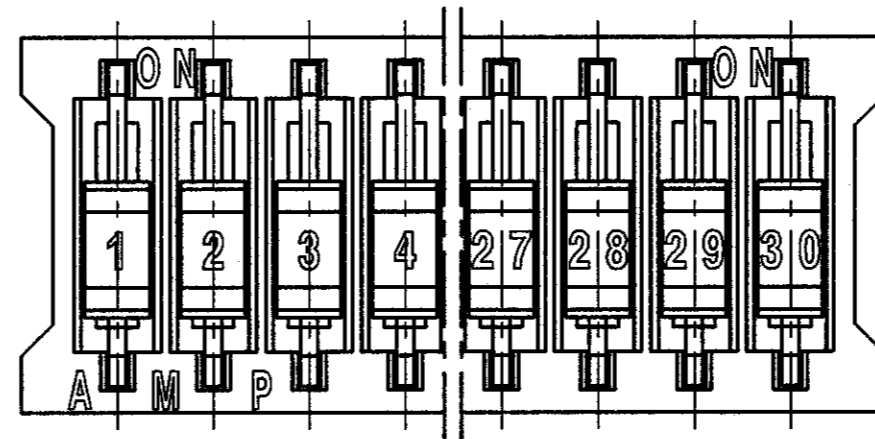
MATERIAL:

HOUSING : 20% G.F. POLYESTER , COLOUR : GREY.

ACTUATOR: 20% G.F. POLYESTER , COLOUR : RED.

CONTACTS: PHOSPHOR-BRONZE.

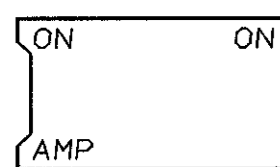
PLATING: MIN. 2,5µm TIN/LEAD 93/7.



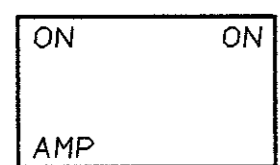
RECOMMENDED P.C. BOARD HOLE PATTERN.

P.C. BOARD THICKNESS : 1,6mm.

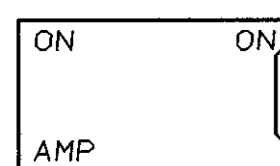
SWITCH HOUSINGS MAY HAVE
PROFILE A , B OR C.



A



B



C

				FINISH	MATERIAL	PARTNUMBER
-	-	-	-	-	-	CUSTOMER DRAWING FOR REFERENCE ONLY WILL NOT BE UPDATED
-	-	-	-	-	-	© COPYRIGHT 19- BY AMP HOLLAND B.V. ALL INTERNATIONAL RIGHTS RESERVED. AMP PRODUCTS MAY BE COVERED BY U.S. AND FOREIGN AND/OR PATENTS PENDING.
-	-	-	-	-	-	THIS DRAWING IS UNPUBLISHED RELEASED FOR PUBLICATION
-	-	-	-	-	-	AMP AMP HOLLAND B.V. s-Hertogenbosch, The Netherlands.
0	EH-0991-96	D.K.	M.G.	21 AUG 96		TINPLATED DIP SWITCH SEALED VERSION
LTR.	REVISION RECORD	DR.	CHK.	DATE		
DR.:	D. KESSLER	CHK.:	M. GOSSELINK	APP.:	E. HESTENS	DWG. No. 161394
DATE:	21 AUG 96	DATE:	12-9-96	DATE:	12/9/96	REV. LTR. 0
						SHEET 1 OF 1
						A2

X-ON Electronics

Largest Supplier of Electrical and Electronic Components

Click to view similar products for [DIP Switches/SIP Switches](#) category:

Click to view products by [TE Connectivity](#) manufacturer:

Other Similar products are found below :

[78M03S](#) [79B10T](#) [8136-475G4T](#) [G7G-1A2-CB-DC12](#) [A7SS-M](#) [DBP 2110](#) [DBP 2112](#) [DBS1008](#) [DHN02FTVTR](#) [DHN10T](#) [DHS108](#)
[DPL08TN](#) [DRD16CSE04](#) [DRR4010](#) [DRR60016](#) [DRS4016](#) [BD06E](#) [1825008-1](#) [1825444-1](#) [25.350.0653.0](#) [LA2-DC12](#) [SBS 5004 TG](#)
[SDA10H1BDA](#) [97R06ST](#) [A2C-2A5](#) [1825444-7](#) [ADE08SA04](#) [ADE12S04](#) [2161391-1](#) [2-1825058-8](#) [CCVA 2.5/ 4-G-5.08](#) [P26THRR32](#)
[25.330.0653.1](#) [25.352.0353.0](#) [MDG305ST](#) [IKN0600000](#) [IKN0800000](#) [LA2-002-DC24](#) [DBP2008](#) [DBS1003](#) [DBS2008](#) [438872000](#)
[DRD10CRAE04](#) [DRS1604](#) [DSR02T](#) [DSS 208 N](#) [5-1825033-1](#) [106-SDN06-EV](#) [1-1437507-6](#) [E2FMX2D1M1TGJ03M](#)
[E3ZMCT81M1TJ03M](#)