

REVISIONS

P	LTR	DESCRIPTION	DATE	DWN	APVD
	A	INITIAL RELEASE	12NOV2019	RV	MB

Electrical Characteristics

Contact Ratings —

- DC resistive — 2 amps at 28 volts
- DC inductive — 0.5 amps at 28 volts, 200 mH
- AC resistive — 1 amp at 115 volts (single coil), case not grounded
- AC resistive — 0.25 amps at 115 volts (dual coil), case not grounded
- Low-level — 50 µA at 50 mV
- Peak AC or DC

Contact Resistance —

- 0.050 ohms initial;
- 0.100 ohms after life test

Life —

- 100,000 operations at rated load;
- 1,000,000 at low-level

Operating Characteristics

Operate Time — 4 ms

Release Time — 4 ms

Contact Bounce — 2 ms

Dielectric Strength —

- 1,000 volts rms at sea level;
- 700 volts rms across contact gap

Insulation Resistance —

- 1,000 megohm min.

Environmental Characteristics

Vibration — 30 G, to 3,000 Hz

Shock — 150 G at 11 ms

Temperature — -65°C to +125°C

See page 1-52 for Mounting Forms, Terminals and Circuit Diagrams.

Magnetic Latching, Grid-space, Relays

Type 3SAM (2PDT)

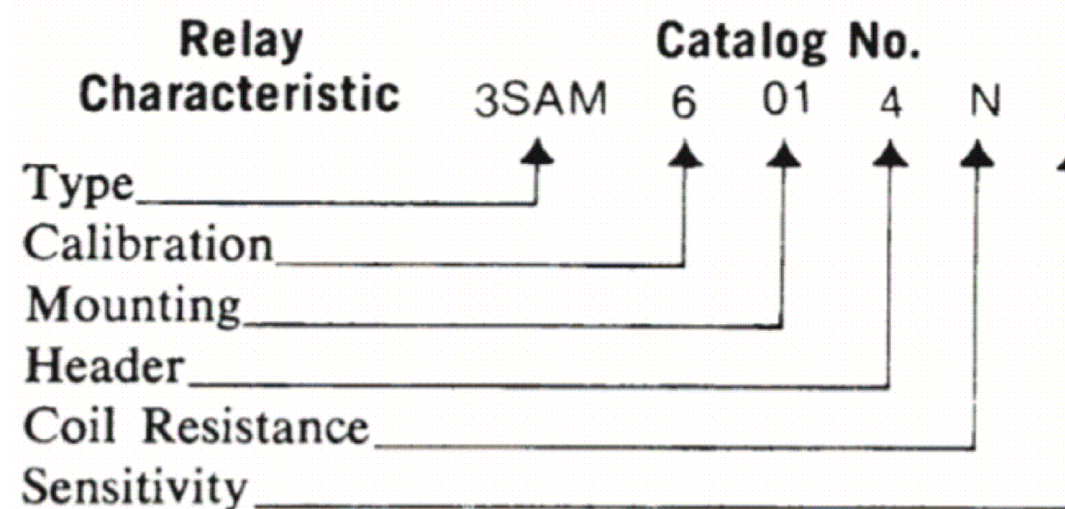
Product Facts

- Special shock designs up to 700 G, 1 ms
- Suitable for pulse operation
- No hang up feature on low power pulses
- Qualified to MIL-R-39016/32
- Special wiring is available

Ordering Instructions

Example: The relay selected in this example is a 2PDT magnetic latching relay, current calibrated, four-hole end bracket mounting, solder hook header, 1500 ohms coil resistance, and 75 mW sensitivity. By choosing the proper code for each of these relay characteristics, the catalog number is identified as 3SAM6014N2. The letter R following sensitivity code indicates relay received 5000 operation miss-test. Ex. 3SAM6014N2R.

This relay has “memory” in that the contact positions do not change when coil power is removed. Switching is accomplished by applying power to the applicable coil (dual coil) or with the applicable polarity (single coil). The low switching power requirements are further enhanced by its ability to operate from capacitor discharge or other pulses or through its own contacts for batteries or similarly limited supplies.



THIS DRAWING IS A CONTROLLED DOCUMENT.		DWN RV	12NOV2019	STE TE Connectivity	
		CHK RV	12NOV2019		
DIMENSIONS: INCHES		TOLERANCES UNLESS OTHERWISE SPECIFIED:		NAME 3SAM-SERIES	
		0 PLC	± -	PRODUCT SPEC	
		1 PLC	± -	-	
		2 PLC	± -	APPLICATION SPEC	
		3 PLC	± -	-	
MATERIAL		4 PLC	± -	SIZE	CAGE CODE
		ANGLES	± -	A3	-
		FINISH	-	DRAWING NO G-3SAM-SERIES	
				RESTRICTED TO	
				CUSTOMER DRAWING	
				SCALE	SHEET
				NTS	1 OF 3
				REV	A

THIS DRAWING IS UNPUBLISHED.

RELEASED FOR PUBLICATION

REVISIONS

© COPYRIGHT - TE Connectivity Ltd.

ALL RIGHTS RESERVED.

P	LTR	DESCRIPTION	DATE	DWN	APVD
-	-	SEE SHEET 1	-	-	-

Coil Table (All Values DC) Dual Coil 75 mW Sensitivity: (Code: 2)


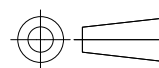
Coil Code Letter	Current Calibrated, CODE: 6		
	Coil Resistance @25C For Each Coil (Ohms)	Max† Operate Current For Each Coil (mA)	Suggested Source Voltage For Each Coil‡
A	8.2 ± 10%	95.8	1.5-2.6
B	20 ± 10%	61.2	2.3-4.1
C	48 ± 10%	39.5	3.6-6.3
D	82 ± 10%	30.2	4.7-8.3
E	130 ± 10%	24.0	6.0-10.0
F	200 ± 10%	19.4	7.4-13.0
H	300 ± 10%	15.8	9.0-16.0
K	480 ± 10%	12.5	12.0-20.0
L	675 ± 10%	10.6	14.0-24.0
M	975 ± 10%	8.8	16.0-29.0
N	1500 ± 15%	7.1	21.0-35.0
P	2400 ± 15%	5.6	27.0-44.0
R	4100 ± 20%	4.3	37.0-55.0

† Applicable over the operating temperature range in circulating air.
‡ Initial or inspection value. Allow 20% increase in value of maximum pickup during rated life.

Coil Table (All Values DC) Single Coil 50 mW Sensitivity: (Code: 1)

Coil Code Letter	Current Calibrated, CODE: 6		
	Coil Resistance @25C (Ohms)	Max Operate and Reset Current (mA) ‡	Suggested Source Voltage†
A	16.4 ± 10%	55.2	1.8-4.8
B	40 ± 10%	35.3	2.7-7.5
C	96 ± 10%	22.8	4.2-11.0
D	164 ± 10%	17.4	5.5-15.0
E	260 ± 10%	13.9	7.0-19.0
F	400 ± 10%	11.2	8.5-23.0
H	600 ± 10%	9.2	11.0-29.0
K	960 ± 10%	7.2	13.0-37.0
L	1350 ± 10%	6.1	16.0-43.0
M	1950 ± 10%	5.1	19.0-52.0
N	3000 ± 15%	4.1	25.0-64.0
P	4800 ± 15%	3.3	32.0-81.0
R	8200 ± 20%	2.5	43.0-99.0

† Applicable over the operating temperature range in circulating air.
‡ Initial or inspection value. Allow 20% increase in value of maximum pickup during rated life.

THIS DRAWING IS A CONTROLLED DOCUMENT.		DWN RV 12NOV2019	 TE Connectivity		
DIMENSIONS: INCHES		CHK RV 12NOV2019			
	TOLERANCES UNLESS OTHERWISE SPECIFIED: 0 PLC ± - 1 PLC ± - 2 PLC ± - 3 PLC ± - 4 PLC ± - ANGLES ± -	APVD MB 12NOV2019	RESTRICTED TO		
		PRODUCT SPEC	SIZE A3	CAGE CODE -	DRAWING NO C-3SAM-SERIES
MATERIAL -	FINISH -	APPLICATION SPEC -	WEIGHT -	SCALE NTS	SHEET 2 OF 3
CUSTOMER DRAWING					

P	LTR	DESCRIPTION	DATE	DWN	APVD
-	-	SEE SHEET 1	-	-	-

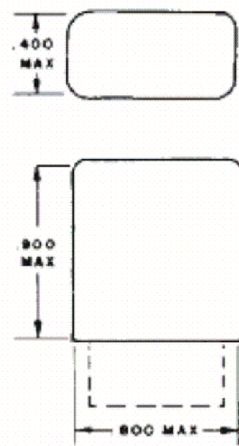
Mounting Forms (3SAM)

(Vibration note with each form is acceleration from 55 to 3000 Hz)

No Mount

Mounting Code	Vibration*
00	30g

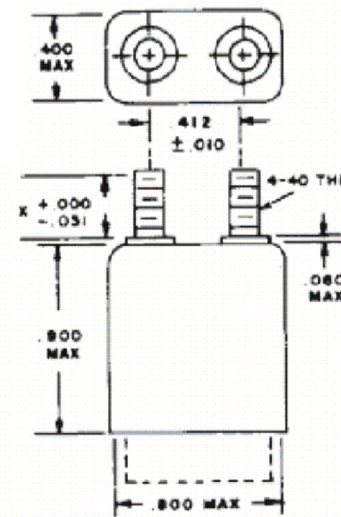
* Assumes relay securely held by potting or other means.



TOLERANCES (unless otherwise specified)	
Hundredths	±0.020
Thousandths	±0.005

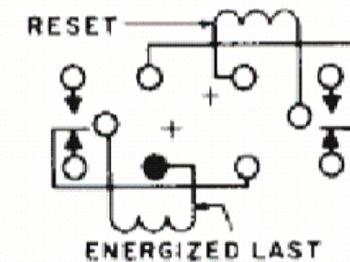
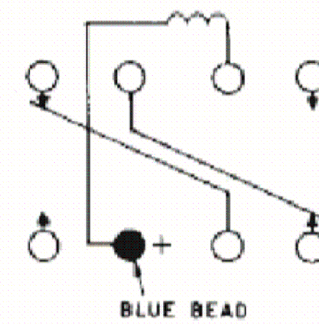
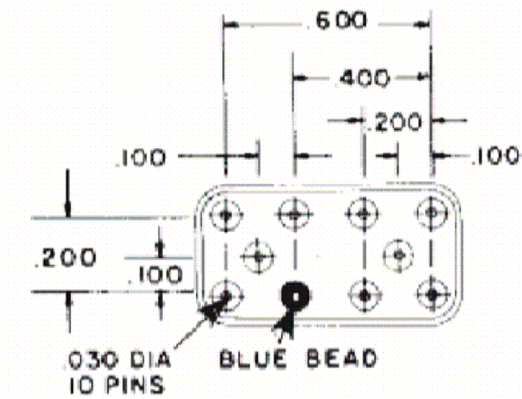
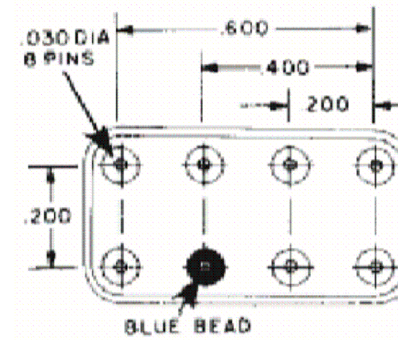
Top Studs

Mounting Code	X Dim.	Vibration
10	0.250	30g
11	0.375	30g



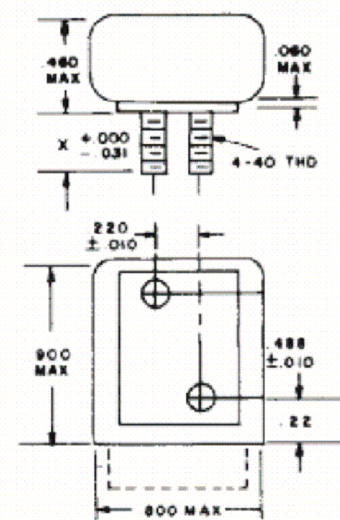
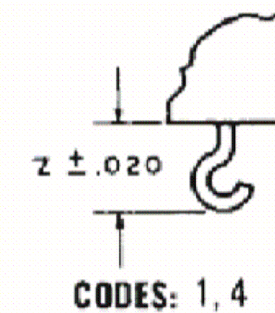
Header and Connection Diagrams

Single Coil (Terminal View)
Dual Coil (Terminal View)
(+ on blue bead closes as shown)



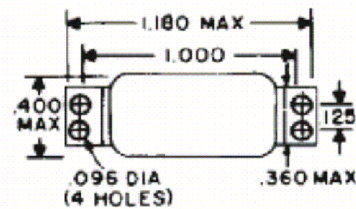
Header Types

Type	Z Dimension	Header Code	
		Single	Dual
Solder hook	0.16	1	4



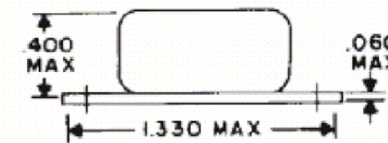
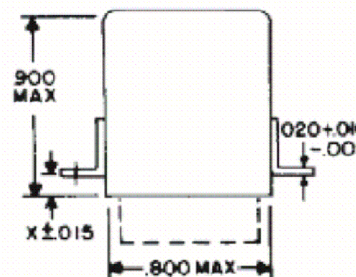
Side Studs

Mounting Code	X Dim.	Vibration
07	0.250	30g
08	0.375	30g



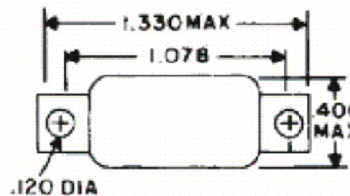
Four-hole End Bracket

Mounting Code	X Dim.	Vibration
01	0.125	30g
02	0.250	30g
03	0.450	30g



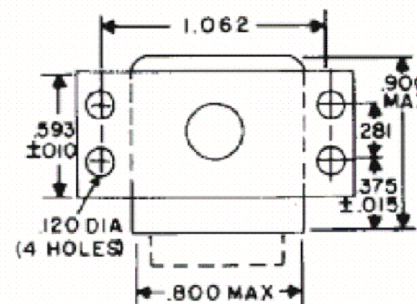
Two-hole End Bracket

Mounting Code	X Dim.	Vibration
13	0.125	30g
14	0.250	30g
15	0.450	30g



Four-hole Side Bracket

Mounting Code	Vibration
06	30g



ALL DIMENSIONS ARE IN INCHES

THIS DRAWING IS A CONTROLLED DOCUMENT.		DWN RV 12NOV2019	TE Connectivity		
DIMENSIONS: INCHES		CHK RV 12NOV2019			
TOLERANCES UNLESS OTHERWISE SPECIFIED:		APVD MB 12NOV2019	NAME		
		PRODUCT SPEC	3SAM-SERIES		
MATERIAL		FINISH	APPLICATION SPEC	RESTRICTED TO	
-		-	SIZE A3	CAGE CODE -	DRAWING NO 3SAM-SERIES
CUSTOMER DRAWING			SCALE NTS	SHEET 3 OF 3	REV A

X-ON Electronics

Largest Supplier of Electrical and Electronic Components

Click to view similar products for [Low Signal Relays - PCB category](#):

Click to view products by [TE Connectivity manufacturer](#):

Other Similar products are found below :

[LZN4-US-DC12](#) [LZNQ4-US-DC24](#) [LZNQ4-US-DC48](#) [6-1393813-4](#) [6-1462039-0](#) [6-1617347-5](#) [6-1617353-3](#) [6-1617529-6](#) [M39016/20-054M](#) [M39016/27-030M](#) [67RPCX-3](#) [MAHC-5494](#) [D3493L](#) [7-1393809-0](#) [7-1393813-3](#) [741B8](#) [7556072001](#) [MF-11AM-24](#) [MF1201N12](#) [MF-17A-24](#) [FBR244D012/02CP](#) [FBR244D024/02CS](#) [80.010.4522.1](#) [FL-4036](#) [FLH-11D-6](#) [831A7](#) [MMS124](#) [FTR-B4GA006Z](#) [FW1102S06](#) [FW1201S39](#) [FW1210S02](#) [FW1521S01](#) [FW5A1201S14](#) [9-1393813-6](#) [9-1617582-5](#) [G6AK-2-H-DC5](#) [G6E-184P-ST-US-DC48](#) [G6G234CDC24](#) [A07A939BZ1-0388](#) [A150-0005](#) [PZ-2A2420](#) [HB1-DC6V](#) [HB1-DC9V](#) [R10-14A10-240](#) [R10-14D10-12](#) [R10-5A10-120F](#) [R10-E1L8-S200](#) [R10-E2468-1](#) [R10-E4Z2-V700](#) [R10-T1L2N-115V](#)