

THIS DRAWING IS UNPUBLISHED. RELEASED FOR PUBLICATION
 © COPYRIGHT - TE Connectivity Ltd. ALL RIGHTS RESERVED.

REVISIONS				
P	LTR	DESCRIPTION	DATE	APVD
	A	INITIAL DRAWING	13AUG2019	VM TN

Ordering Information

Sample Part Number ▶ **WUV -1 -120**

Type:
 WUV - Undervoltage
 WOV - Overvoltage

No. Phases
 1 = Single
 3 = Three

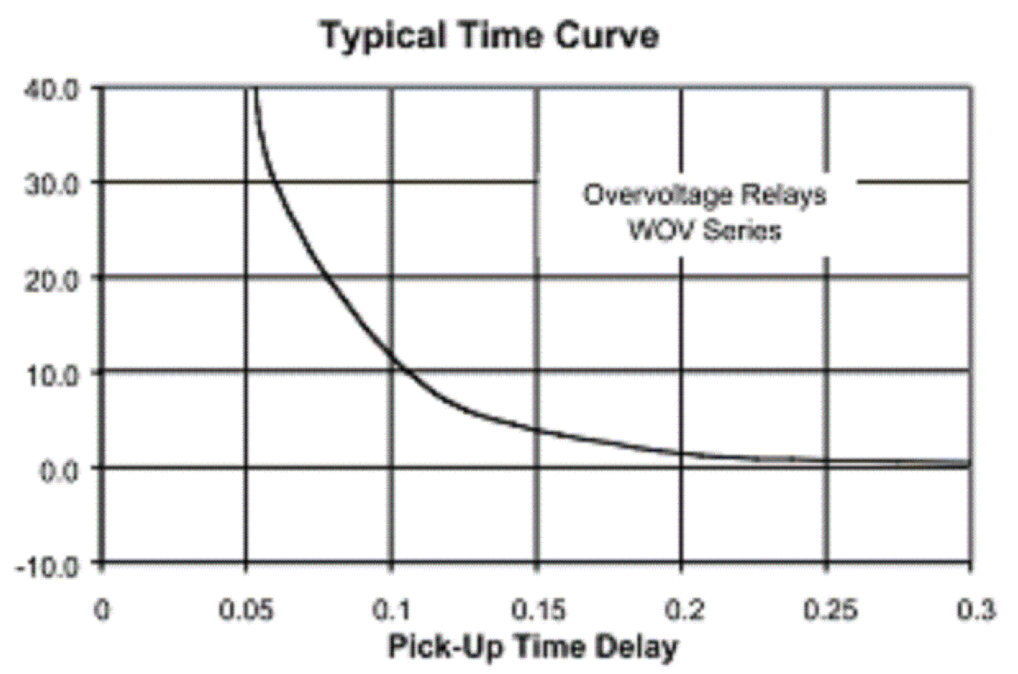
Line Voltage VAC

120	416
208	440
220	460
230	480
240	525
380	575

Options
 P - Transient Protection
 A - Two Normally Open Contacts
 B - Two Normally Closed Contacts
 H - 125VDC, 3A Contacts

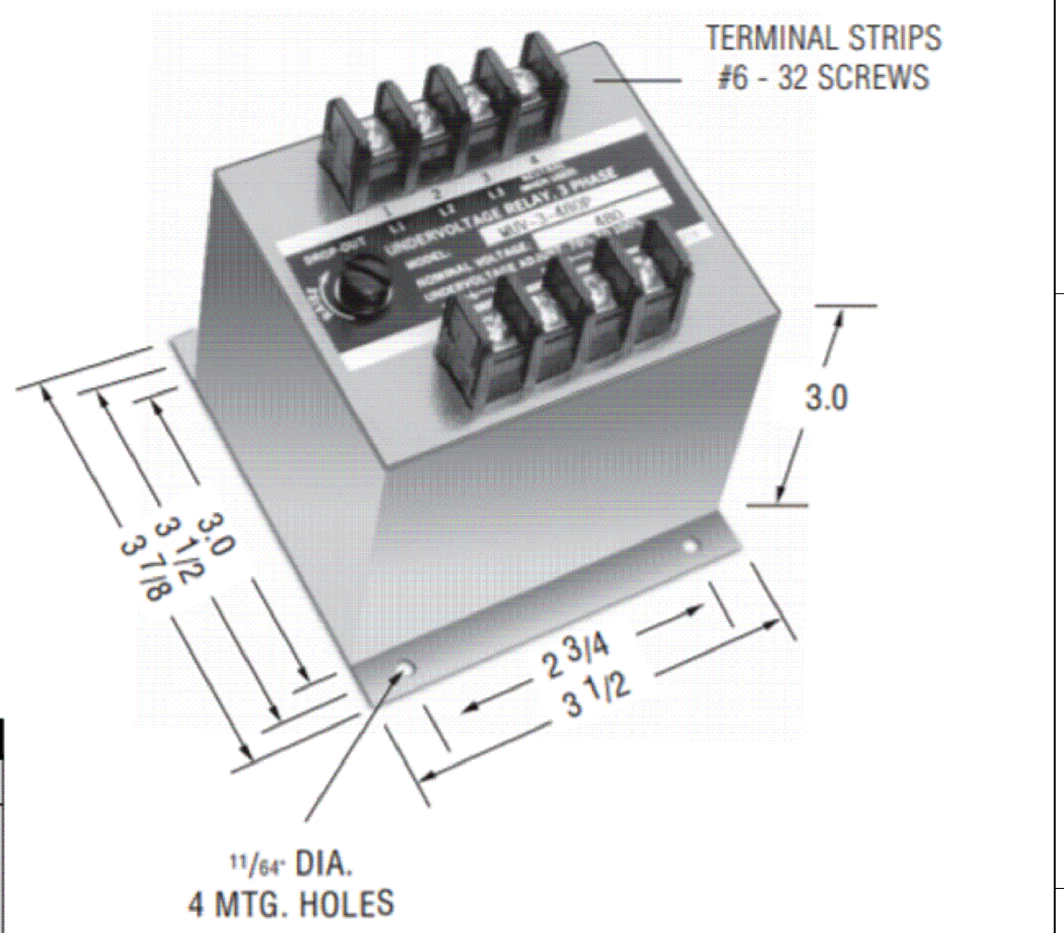
Transient Protection - All voltage relays will withstand momentary voltage surges of twice the nominal rated input voltage (standard).

Option "P" provides additional transient protection which complies with the requirements of ANSI/IEEE C37.90-1978

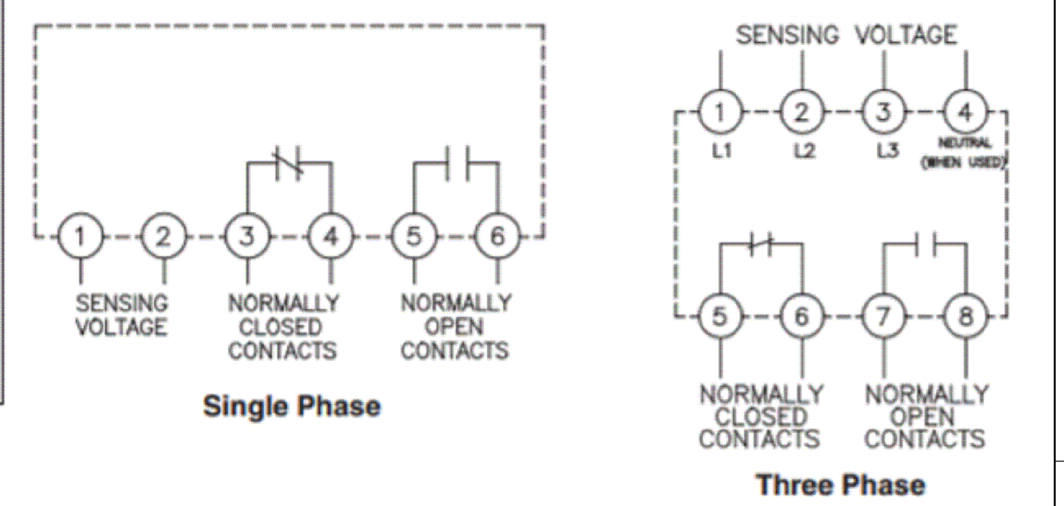


PRODUCT SPECIFICATIONS	
Part Number	WUV/WOV
Nominal Voltage	120 VAC to 575 VAC
Phase	Single or Three
Line Frequency	50-400 Hz
Pick-up to Drop-out Differential	2.5% maximum
Drop-out Point (u/v models)	70-100% of nominal voltage, screwdriver adjustable
Pick-Up Point (o/v models)	100-125% of nominal voltage, screwdriver adjustable
Output Contacts	One set N.O., One set N.C.
Contact Ratings	5 amp resistive at 120 VAC or 28 VDC
Operating Temperature Range	-20°C to +65°C
Power Consumption	2 VA maximum
Time Delay	150-300 ms (UV Model)
Minimum Life	500,000 operations

- Notes:**
1. Remove black screw for access to the voltage trip adjustment.
 2. Clockwise rotation of the adjustment potentiometer will raise the voltage trip point.



Note: Dimensions in inches. Multiply values by 25.4 for dimensions in mm.



THIS DRAWING IS A CONTROLLED DOCUMENT.		DWN VM 13AUG2019	STE TE Connectivity	
DIMENSIONS: INCHES		CHK RV 13AUG2019		
TOLERANCES UNLESS OTHERWISE SPECIFIED:		APVD TN 13AUG2019	NAME	
0 PLC ± -		PRODUCT SPEC	WOV-WUV SERIES	
1 PLC ± -			-	
2 PLC ± -		APPLICATION SPEC	-	
3 PLC ± -			-	
4 PLC ± -			SIZE	CAGE CODE
ANGLES ± -		WEIGHT	A3	-
MATERIAL			DRAWING NO	RESTRICTED TO
FINISH			C=WUV-WOV-SERIES	-
		CUSTOMER DRAWING	SCALE NTS	SHEET 1 OF 1
			REV A	

X-ON Electronics

Largest Supplier of Electrical and Electronic Components

Click to view similar products for [General Purpose Relays](#) category:

Click to view products by [TE Connectivity](#) manufacturer:

Other Similar products are found below :

[JVN1AF-4.5V-F](#) [PCN-105D3MHZ](#) [5JO-10000S-SIL](#) [5JO-1000CD-SIL](#) [5JO-400CD-SIL](#) [LY2S-AC220/240](#) [LYQ20DC12](#) [6031007G](#)
[6131406HQ](#) [6-1393099-8](#) [6-1393122-4](#) [6-1393123-2](#) [6-1393767-1](#) [6-1393843-7](#) [6-1415012-1](#) [6-1419102-2](#) [6-1423698-4](#) [6-1608051-6](#) [6-1608067-0](#) [6-1616170-6](#) [6-1616248-2](#) [6-1616282-3](#) [6-1616348-2](#) [6-1616349-9](#) [6-1616350-1](#) [6-1616350-8](#) [6-1616358-7](#) [6-1616359-9](#) [6-1616360-9](#) [6-1616931-6](#) [6-1617039-1](#) [6-1617052-1](#) [6-1617090-2](#) [6-1617090-5](#) [6-1617347-5](#) [6-1617353-3](#) [6-1617801-8](#) [6-1618107-9](#) [6-1618248-4](#) [CX-4014](#) [MAHC-5494](#) [MAVCD-5419-6](#) [703XCX-120A](#) [7-1393100-5](#) [7-1393111-7](#) [7-1393767-8](#) [7-1414968-8](#) [7-1419130-3](#) [7-1608047-2](#) [7-1608065-1](#)