

REVISIONS

P	LTR	DESCRIPTION	DATE	DWN	APVD
B		ECO-20-007395	02JUN2020	SR	PM

Ordering Information

Typical Part Number

CAP202 M S B F D

Series: CAP202 = 2 form X, DPST-NO-DM Contactor

Auxiliary Contact Outputs (SPDT form C):

A = None
M = Two
F = Four

Coil Voltage:

S = 28V (with built-in electronically switched dual coil economizer)

Coil and Aux. Wire Length:

A = 15.3 inches

B = 6 inches

X = Customer Special

Coil and Aux. Connector:

N = None

F = D Plug on flying leads (may affect wire length)

Mounting & Power Terminals:

D = 2X M5 Bottom Mount with 4X, M6 x 1 Female thread terminals

Specifications are subject to change without notice.

Performance Data

Physical Data

Contact Arrangement

Power Contacts — DPST-NO (2 Form X)

Auxiliary Switches — SPDT (form C)

Dimensions — See drawings on next page

Weight — 0.79 Kg (1.74 lb.)

Electrical Data

Voltage Rating

Main Contacts — 12-900Vdc

Auxiliary Contacts — 30Vdc

Current Rating

Main Contacts¹ — 350A/pole

Auxiliary Contacts — 3A

Contact Resistance

Main Contacts — (2)

100 mΩ max @ 1 amp

0.3 mΩ max. @ 200A after 3 mins.

Auxiliary Contacts — 200 mΩ max

Random Vibration, 14 Grms

15 100 300 900 2000 Hz

.01 .01 .2 .2 .01 G2/Hz

Operating Temperature Range

-55°C to +85°C

Hot Switching Performance @ ± 400 Vdc (3)

100A make/break — 10,000 cycles

250A make/break — 2,500 cycles

700A break only — 10 cycles

Hot Switching Performance @ ± 270 Vdc (4)

100A make/break — 40,000 cycles

250A make/break — 7,500 cycles

2000A break only @ ±370Vdc (5) — 2 cycles

Maximum Make Current — 700A

Dielectric Withstand Voltage over Life

— Terminal to Terminal/Terminals to Coil — 1mA max @ 2,200Vrms

Insulation Resistance over Life

— Terminal to Terminal/Terminals to Coil — 50mΩ min @ 500Vdc

Mechanical Life — 100,000 cycles

Environmental Data

Shock, 11ms 1/2 sine (operating)

— 20G peak

Sine Vibration, 10G peak

— 55-2,000 Hz.

Physical or Other Properties

Weight: 0.79 Kg

Hermetically sealed

Safe for harsh/corrosive environments

No contacts oxidation over periods on non-use

Number of SPDT Auxiliary Contacts per Contactor Type:

CAP202AS — None

CAP202MS — Two

CAP202FS — Four

Description

2-pole single throw hermetically sealed DC contactor; 12-900 Vdc/350A per pole

Not position sensitive

Bi-directional switching

Applications

High Voltage DC Converter Systems (ref schematic below)

Test Equipment

Power Distribution

Power Motion Control

Product Facts

■ Hermetically sealed

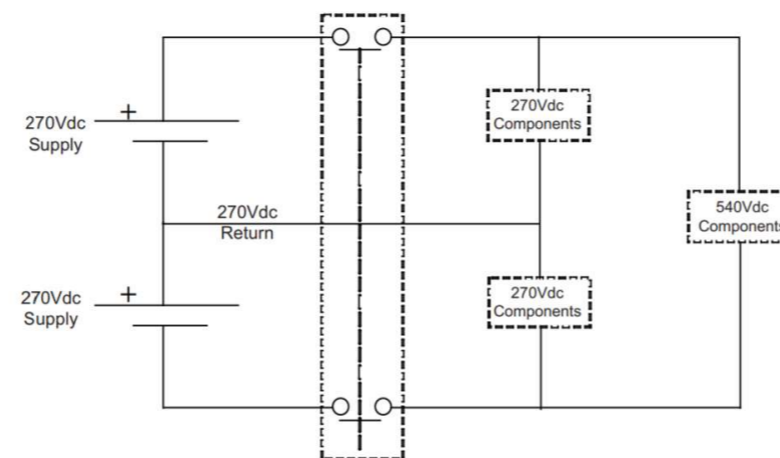
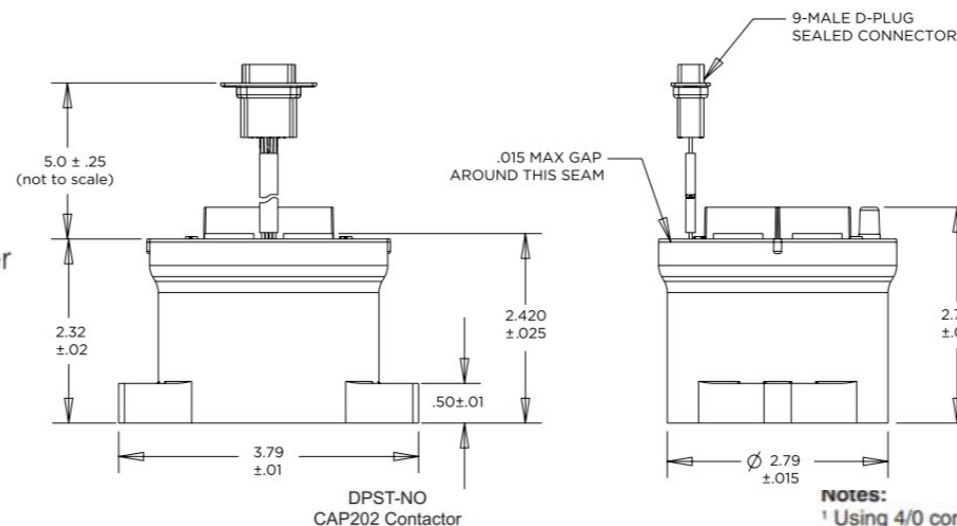
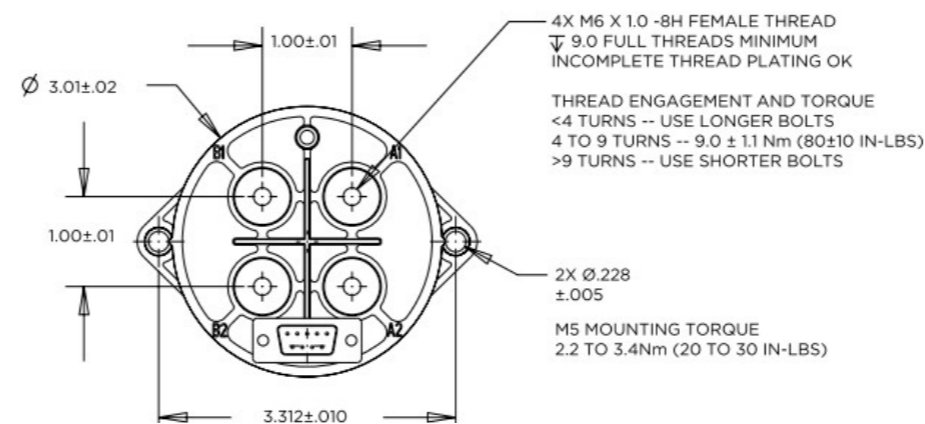
■ Up to 4X SPDT auxiliary switch outputs: 30 Vdc/2A max switching or 6V/5mA min. signal

■ Integrated coil economizer with coil suppression

■ EMC compliant - no radiated coil emission

■ Bidirectional switching - main contacts not polarity sensitive

■ Mount in any orientation - not position sensitive



NOTES:

¹ Using 4/0 conductor. Current rating is affected by attached conductor size and design. Keep terminals below 150°C max. continuous, 175°C for 2 hours max. and 200°C for 1 minute max. For mounting large conductors, request terminal adapter PN 3-1618396-7.

² Operational contact resistance is measured by millivolt drop across contacts at a > 100A current. Initial contact resistance may be higher than 0.3mΩ, but will drop below within 30 mins. max.

³ Voltage applied to each contact set separately.

⁴ Voltage applied across both contact sets in series.

⁵ May not pass 2,200 Vrms dielectric testing after second interrupt cycle.

ALL DIMENSIONS ARE IN INCHES(MM)

Coil Data (-40 to +85°C temp range unless otherwise noted)	
Voltage/Nominal Max.	28-32VDC
Pickup Voltage Max.	16VDC
Inrush Current @ 28 Vdc nominal/@32V maximum	3.4/6.0A
Inrush Time (nominal/maximum)	75/150mS
Hold Current @28V nominal / @32V maximum	0.27/0.48A
Drop Out Voltage	3 to 8Vdc
Internal Coil Suppression (max.)	60Vdc
Main Contacts: Operate Time, nominal/maximum	13/20mS
Main Contacts: Operate Bounce, nominal/maximum	3/10mS
Main Contacts: Release Time, nominal/maximum	25mS
Main Contacts: Release Time, maximum including Maximum arc time	7/12mS



THIS DRAWING IS A CONTROLLED DOCUMENT.		DWN VM 26AUG2019			
		CHK RV 26AUG2019			
DIMENSIONS: INCHES		APVD MP 26AUG2019	NAME		
		PRODUCT SPEC	CAP202 SERIES		
MATERIAL		APPLICATION SPEC	-		
FINISH		WEIGHT 0	SIZE A3	CAGE CODE 00779	DRAWING NO C-CAP202-SERIES
		CUSTOMER DRAWING	RESTRICTED TO	SCALE NTS	SHEET 1 of 1
			REV B		

X-ON Electronics

Largest Supplier of Electrical and Electronic Components

Click to view similar products for [General Purpose Relays](#) category:

Click to view products by [TE Connectivity](#) manufacturer:

Other Similar products are found below :

[APF30318](#) [JVN1AF-4.5V-F](#) [PCN-105D3MHZ](#) [5JO-10000S-SIL](#) [5JO-1000CD-SIL](#) [5JO-400CD-SIL](#) [LY2S-AC220/240](#) [LYQ20DC12](#)
[6031007G](#) [6131406HQ](#) [6-1393099-8](#) [6-1393122-4](#) [6-1393123-2](#) [6-1393767-1](#) [6-1393843-7](#) [6-1415012-1](#) [6-1419102-2](#) [6-1423698-4](#) [6-](#)
[1608051-6](#) [6-1608067-0](#) [6-1616170-6](#) [6-1616248-2](#) [6-1616282-3](#) [6-1616348-2](#) [6-1616349-9](#) [6-1616350-1](#) [6-1616350-8](#) [6-1616358-7](#) [6-](#)
[1616359-9](#) [6-1616360-9](#) [6-1616931-6](#) [6-1617039-1](#) [6-1617052-1](#) [6-1617090-2](#) [6-1617090-5](#) [6-1617347-5](#) [6-1617353-3](#) [6-1617801-8](#) [6-](#)
[1618107-9](#) [6-1618248-4](#) [CX-4014](#) [MAHC-5494](#) [MAVCD-5419-6](#) [703XCX-120A](#) [7-1393100-5](#) [7-1393111-7](#) [7-1393767-8](#) [7-1414968-8](#) [7-](#)
[1419130-3](#) [7-1608047-2](#)