

CUSTOMER DRAWING			SCALE 3:1			SHEET 1 OF 7			REV E1		
MATERIAL						FINISH					
MATERIAL						FINISH					
DIMENSIONS: mm						TOLERANCES UNLESS OTHERWISE SPECIFIED:					
-						0 PLC ±					
-						1 PLC ±					
-						2 PLC ±					
-						3 PLC ±					
-						4 PLC ±					
-						ANGLES ±					
-						WEIGHT					
-						A2 00779					
-						SIZE					
-						CAGE CODE					
-						DRAWING NO					
-						1634200					
-						RESTRICTED TO					
-						NAME					
-						PRODUCT SPEC					
-						APPLICATION SPEC					
-						APVD					
-						CHECK					
-						SA008712					
-						2-4-07					
TE Connectivity						TYCO ELECTRONICS					
POWER ROCKER SWITCH 19.4MM X 22.2mm						PANEL SIZE DPST, NON-ILLUMINATED					

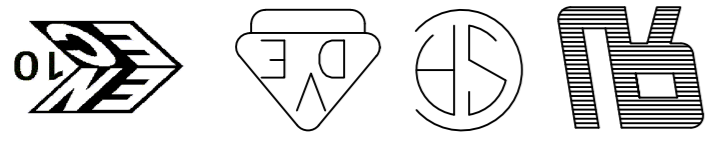
THIS DRAWING IS A CONTROLLED DOCUMENT.  
 DMN SA008712  
 CHK -

A

A

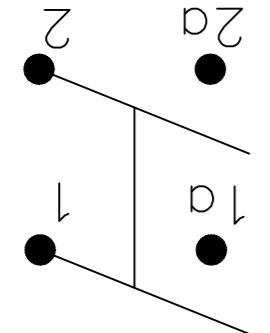
1634200-2 SHOWN ON-OFF

TYCO ELECTRONICS LOGO  
 PER TEC-202-36



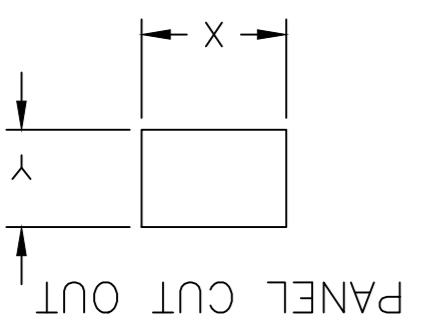
**PRE**  
 10A 125VAC, 6A 250VAC

**PRODUCT MARKING**  
 DETAIL A

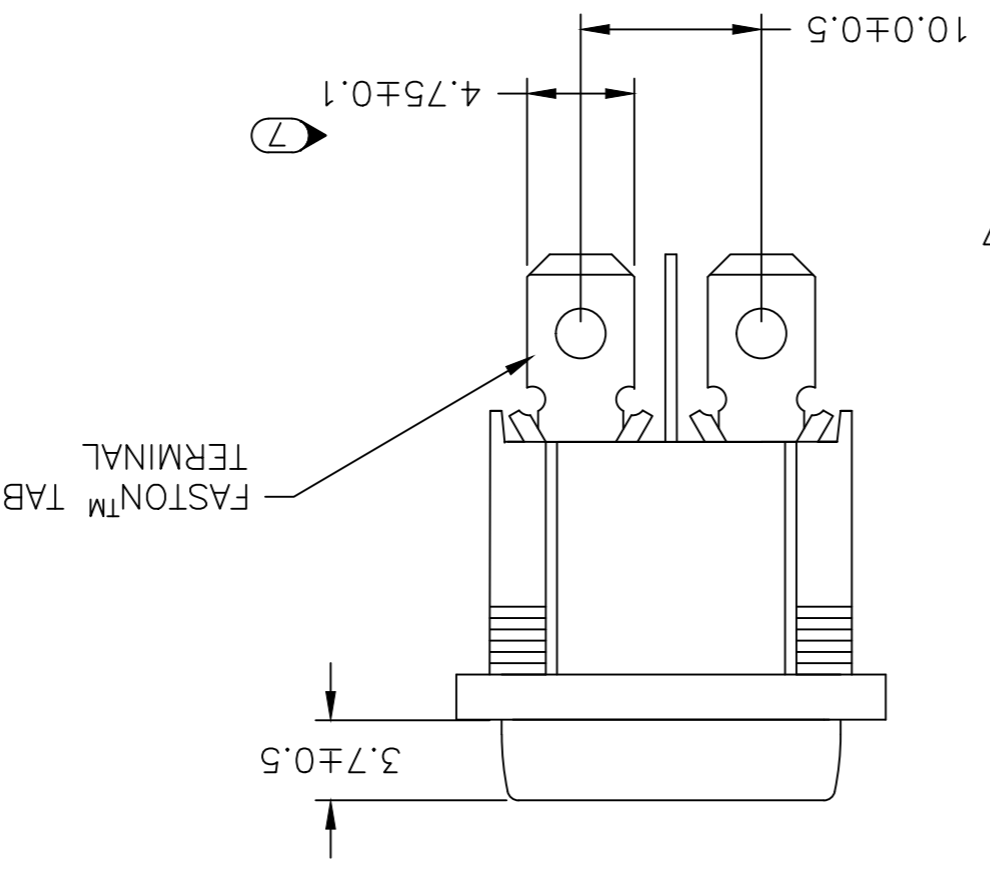


CIRCUIT DIAGRAM

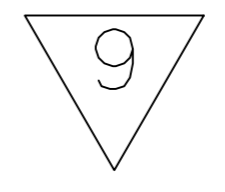
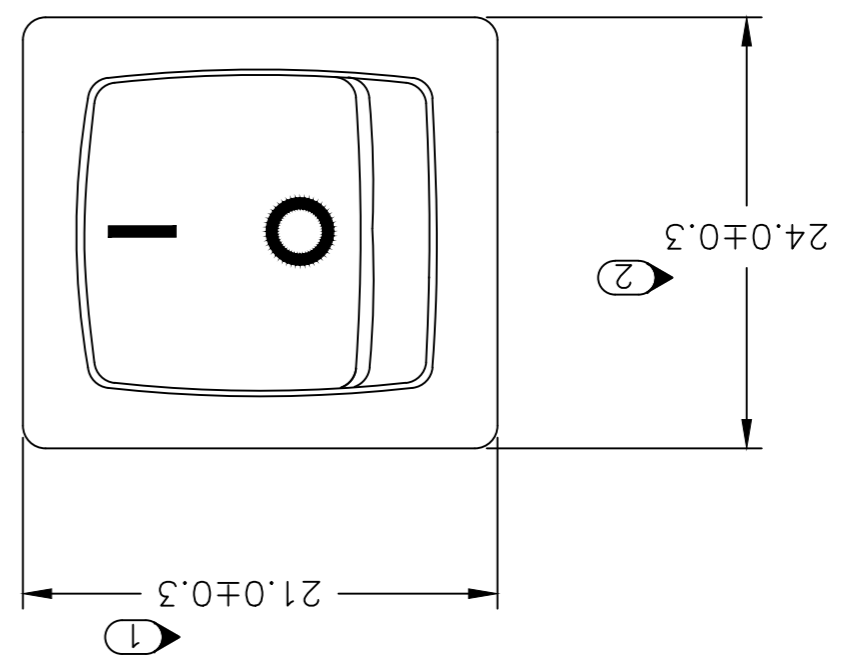
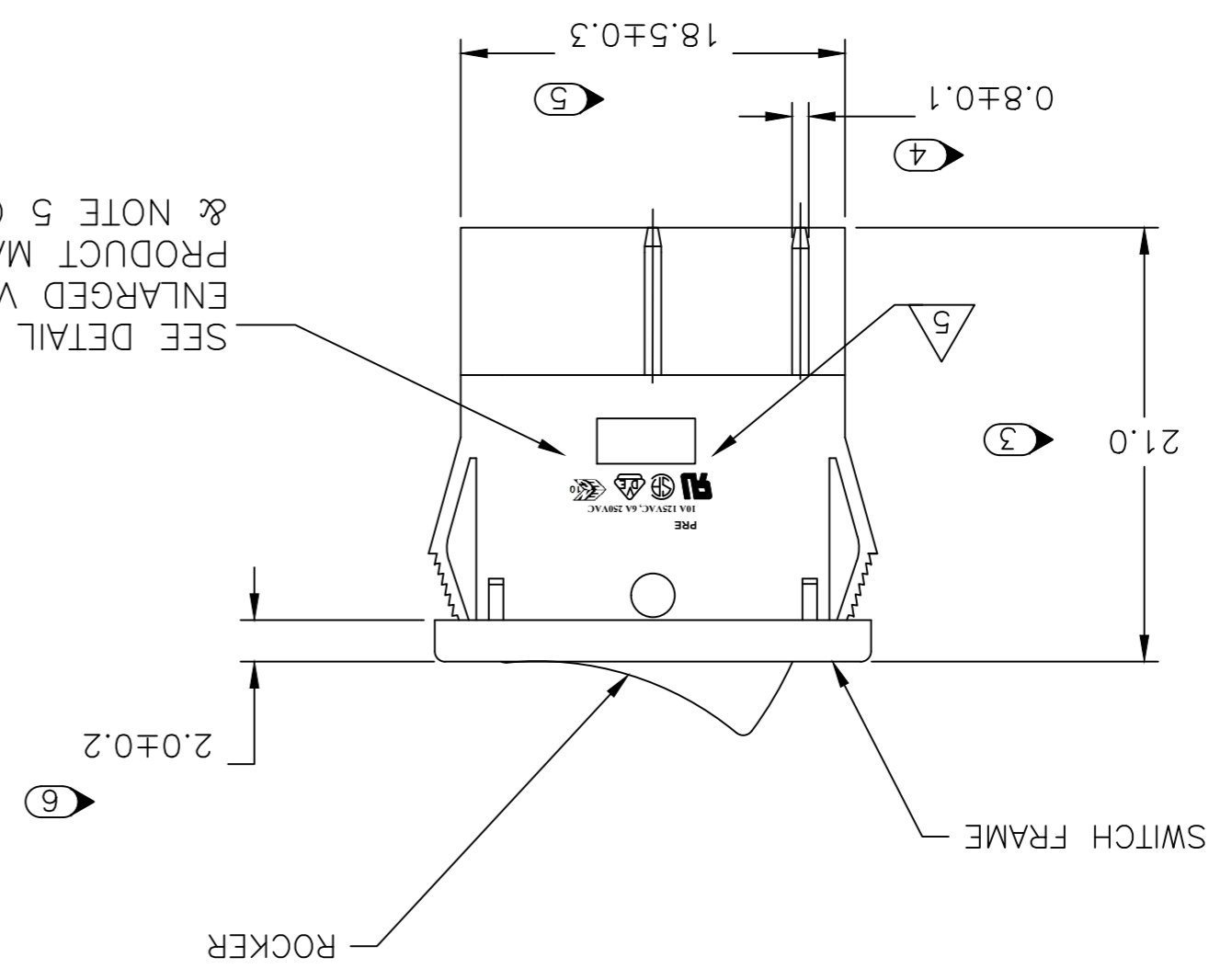
PANEL THICKNESS	X	Y
2.00-3.00	20.20	22.20
1.25-2.00	19.60	22.20
0.75-1.25	19.40	22.20



PANEL CUT OUT



SEE DETAIL A FOR ENLARGED VIEW OF PRODUCT MARKINGS & NOTE 5 ON SHEET 7



B

C

D

REVISIONS	DATE	DESCRIPTION	DATE	BY	APP'D
1	21DEC10	REVISED PER ECO-10-025607	10MAR2017	RK	AS
		REVISED PER ECO-16-017354			

1

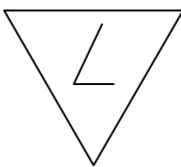
2

3

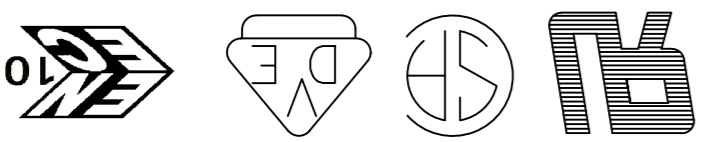
4

CUSTOMER DRAWING			SCALE	3:1	SHEET	2 of 7	REV	E1
MATERIAL		-						
DIMENSIONS:		mm						
TOLERANCES UNLESS OTHERWISE SPECIFIED:		0 PLC ± 1 PLC ± 2 PLC ± 3 PLC ± 4 PLC ±						
FINISH		-						
WEIGHT		-						
APPLICATIO SPEC		-						
PRODUCT SPEC		-						
NAME		POWER ROCKER SWITCH 19.4MM X 22.2mm						
APVD		-						
CHK		-						
DWN		SA008712						
2-4-07		-						
THIS DRAWING IS A CONTROLLED DOCUMENT.								

OBSOLETE  
1634200-8 SHOWN ON-OFF ILLUMINATED

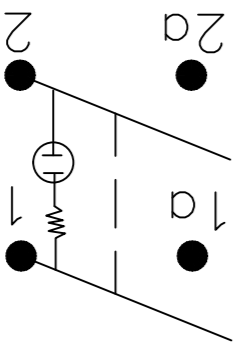


TYCO ELECTRONICS LOGO  
PER TEC-202-36



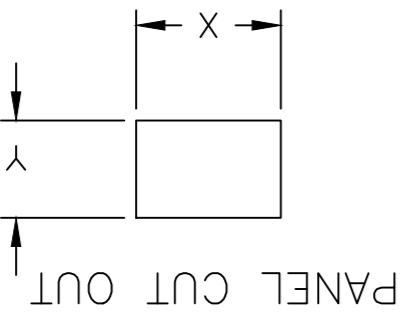
**PRE**  
10A 125VAC, 6A 250VAC

**PRODUCT MARKING  
DETAIL A**

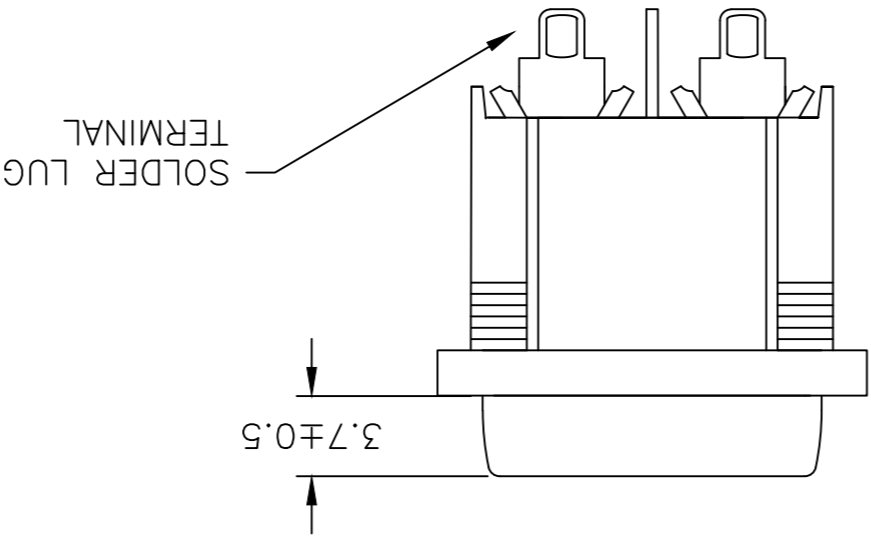


CIRCUIT DIAGRAM

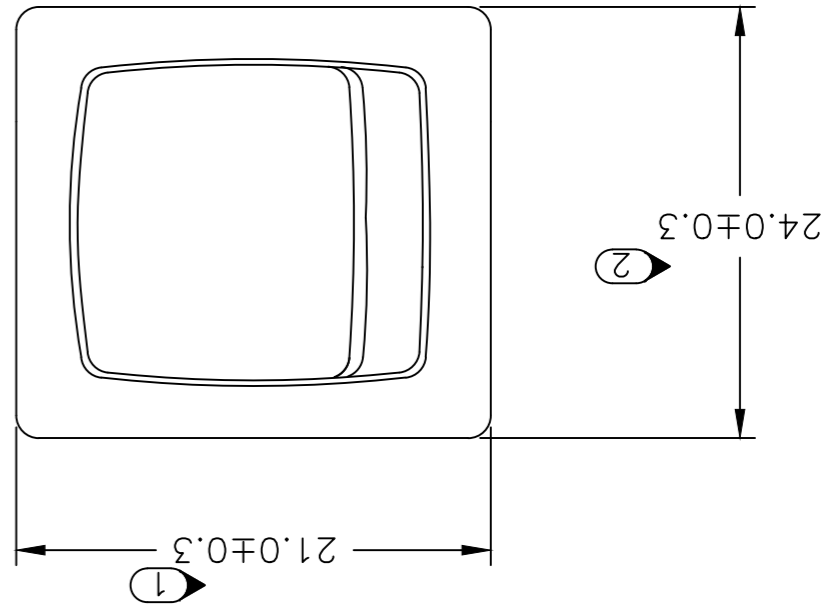
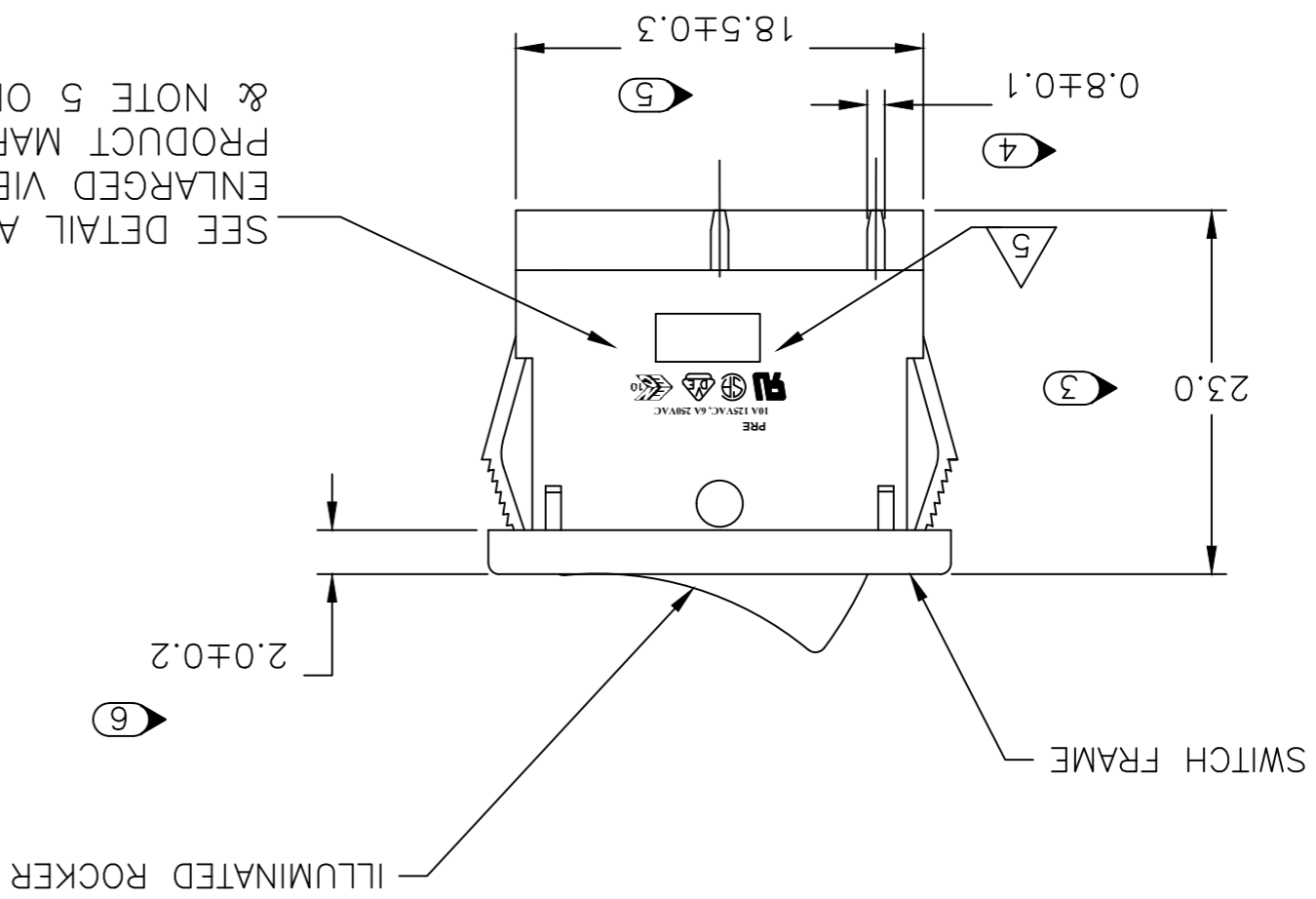
PANEL THICKNESS		X	Y
2.00-3.00	20.20	19.60	22.20
1.25-2.00	19.60	22.20	22.20
0.75-1.25	19.40	22.20	22.20



PANEL CUT OUT



SOLDER LUG TERMINAL



REVISIONS			
P	LTR	DATE	DESCRIPTION
-	-	-	SEE SHEET 1
APVD	DWN		

A

A

B

B

C

C

D

D

1

2

3

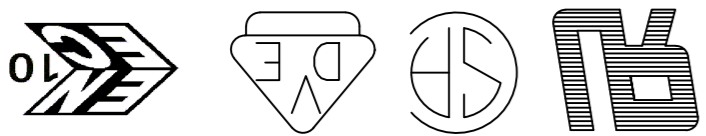
4

1634200

CUSTOMER DRAWING		SCALE 3:1		SHEET 3 of 7		REV E1	
WEIGHT		SIZE		CAGE CODE		DRAWING NO	
APPROXIMATE WEIGHT		PRODUCT SPEC		APPLICATION SPEC		RESTRICTED TO	
DIMENSIONS:		TOLERANCES UNLESS OTHERWISE SPECIFIED:		NAME		APVD	
mm		±		POWER ROCKER SWITCH 19.4MM X 22.2mm		TE Connectivity	
MATERIAL		FINISH		CHK		DWN	
-		- 0 PLC ± 1 PLC ± 2 PLC ± 3 PLC ± 4 PLC ±		SA008712		2-4-07	
THIS DRAWING IS A CONTROLLED DOCUMENT.							

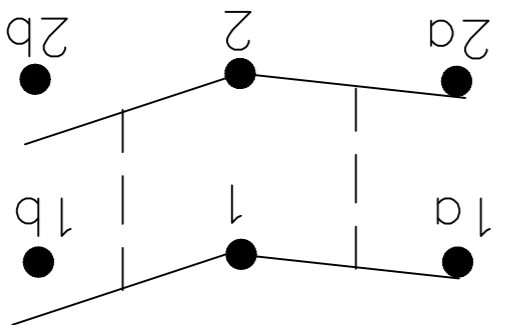
1-1634200-2 SHOWN ON-ON 8

TYCO ELECTRONICS LOGO  
PER TEC-202-36



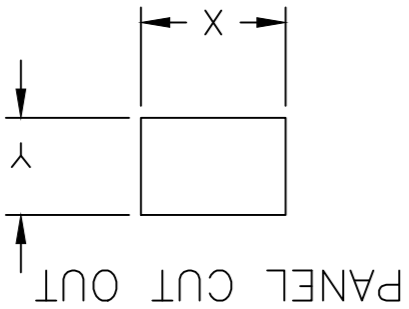
**PRE**  
10A 125VAC, 6A 250VAC

**PRODUCT MARKING**  
DETAIL A

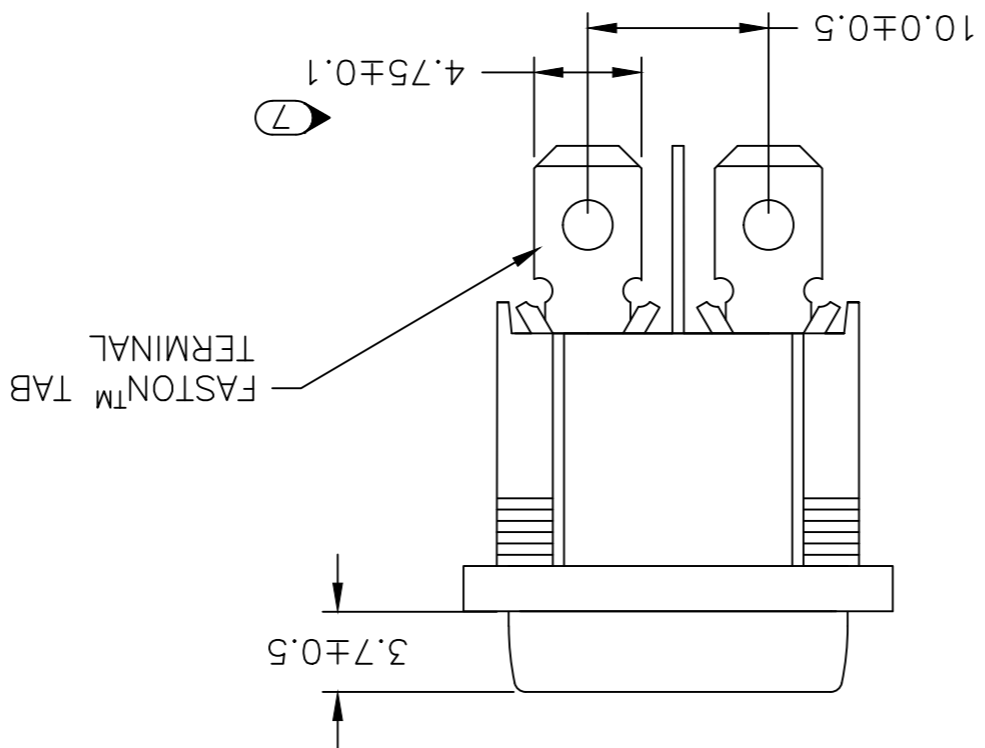


CIRCUIT DIAGRAM

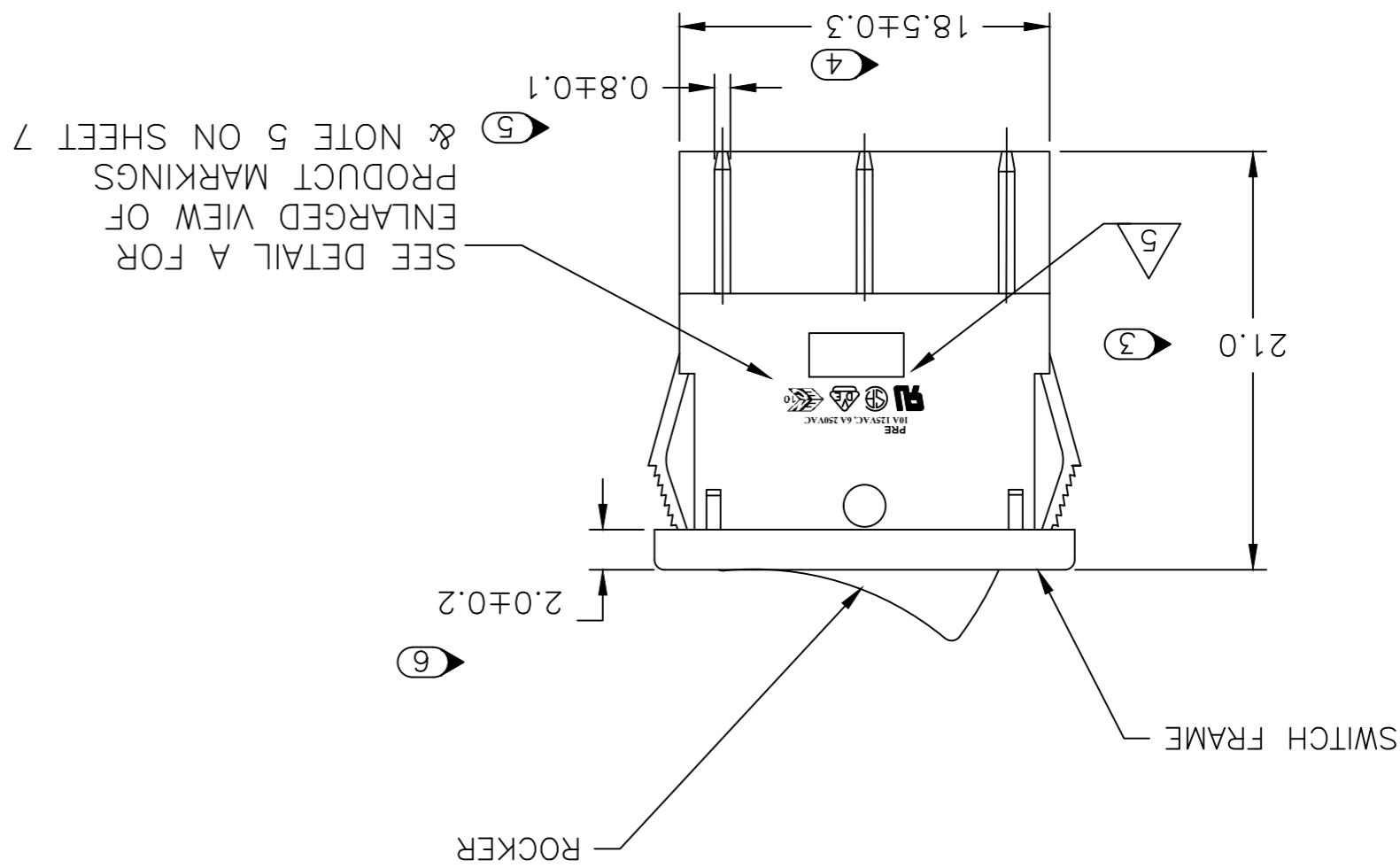
PANEL THICKNESS		
X	Y	
0.75-1.25	22.20	19.40
1.25-2.00	22.20	19.60
2.00-3.00	22.20	20.20



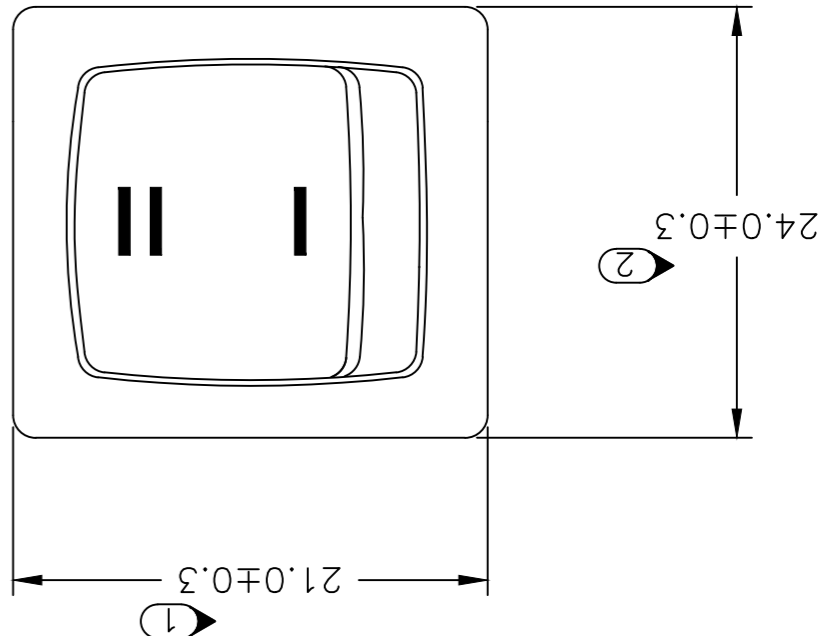
PANEL CUT OUT



FASTON™ TAB  
TERMINAL



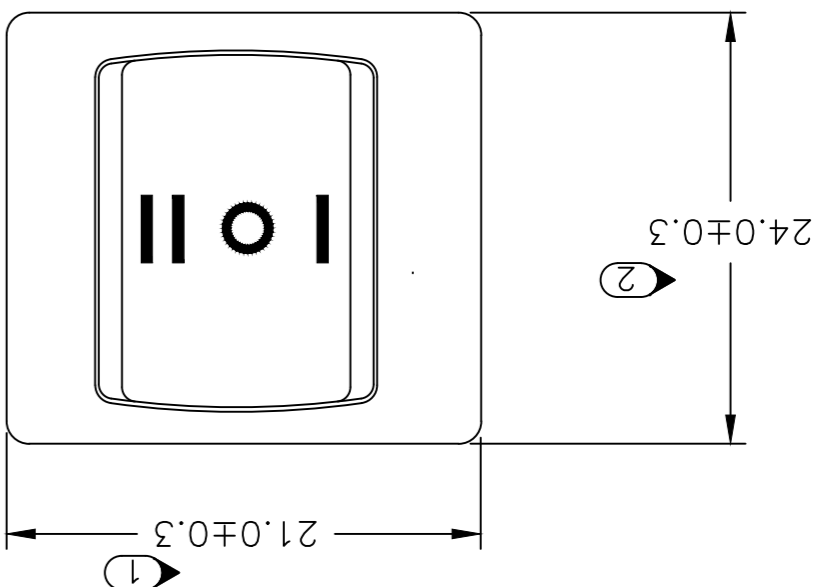
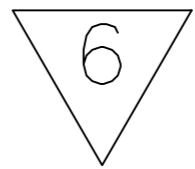
SEE DETAIL A FOR ENLARGED VIEW OF PRODUCT MARKINGS & NOTE 5 ON SHEET 7



REVISIONS	P	LTR	DATE	DESCRIPTION
1	-	-	-	SEE SHEET 1

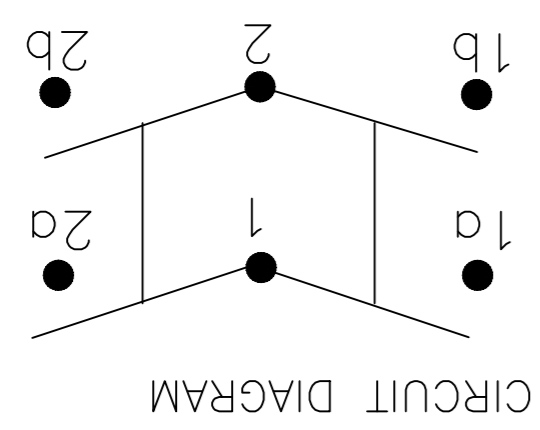
THIS DRAWING IS A CONTROLLED DOCUMENT.		SA008712		DMN	
DIMENSIONS: mm		TOLERANCES UNLESS OTHERWISE SPECIFIED:		CHK	
MATERIAL		FINISH		CUSTOMER DRAWING	
-		-		SCALE 3:1	
-		-		SHEET 4 of 7	
-		-		REV E1	
-		-		RESTRICTED TO	
-		-		DRAWING NO 1634200	
-		-		CAGE CODE A200779	
-		-		SIZE	
-		-		APPLICATIO SPEC	
-		-		PRODUCT SPEC	
-		-		NAME	
-		-		POWER ROCKER SWITCH 19,4MM X 22,2mm	
-		-		PANEL SIZE DPST, NON-ILLUMINATED	
-		-		TE Connectivity	
-		-		SA008712	
-		-		2-4-07	

1-1634200-7 SHOWN ON-OFF-ON

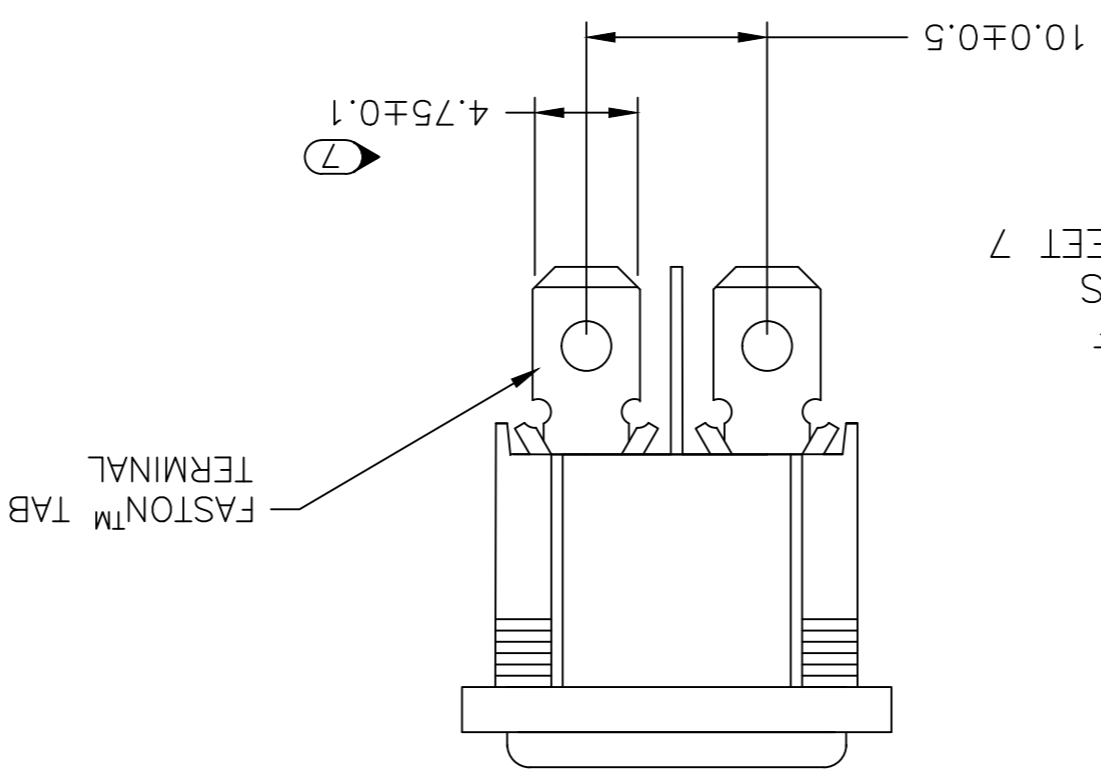
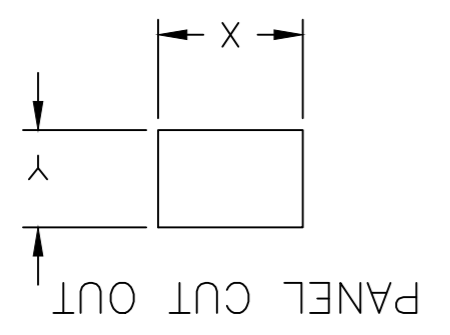


**PRE**  
**10A 125VAC, 6A 250VAC**  
 TYCO ELECTRONICS LOGO  
 PER TEC-202-36

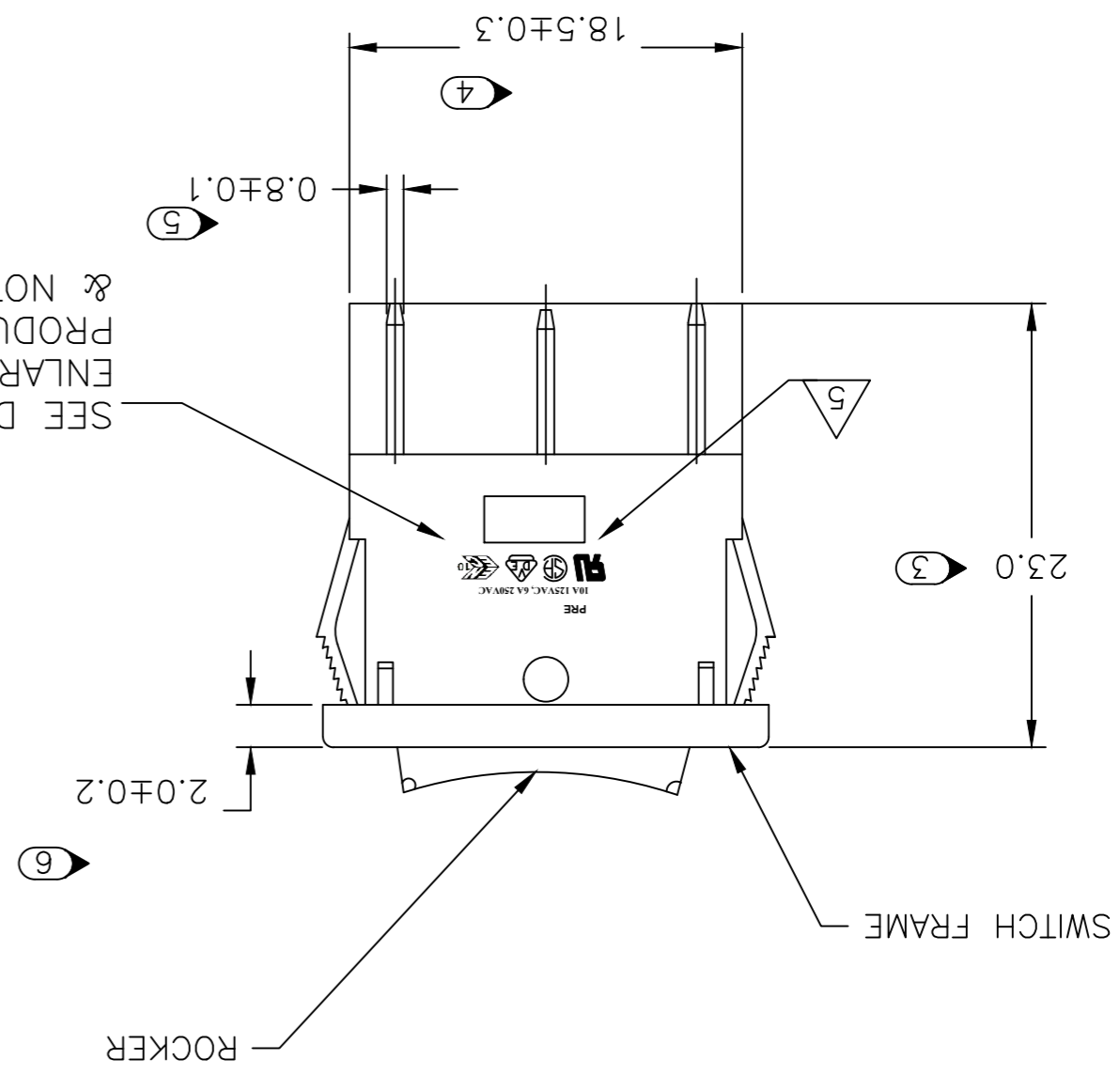
**PRODUCT MARKING  
DETAIL A**



PANEL THICKNESS	X	Y
0.75-1.25	19.40	22.20
1.25-2.00	19.60	22.20
2.00-3.00	20.20	22.20



SEE DETAIL A FOR ENLARGED VIEW OF PRODUCT MARKINGS & NOTE 5 ON SHEET 7



REVISIONS	P	LTR	DATE	DMN	APVD
1	-	-	-	-	-
SEE SHEET 1					

A

A

B

B

C

C

D

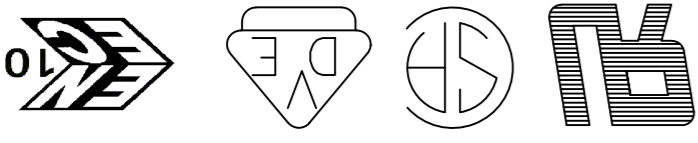
D

1634200

MATERIAL: -		DIMENSIONS: mm		TOLERANCES UNLESS OTHERWISE SPECIFIED:	
FINISH: 0 PLC ±, 1 PLC ±, 2 PLC ±, 3 PLC ±, 4 PLC ±		APVD: -		NAME: POWER ROCKER SWITCH 19.4MM X 22.2mm	
WEIGHT: -		PRODUCT SPEC: -		APPLICATION SPEC: -	
SIZE: A2		CAGE CODE: 00779		DRAWING NO: 1634200	
CUSTOMER DRAWING: -		SCALE: 3:1		SHEET: 5 of 7	
REV: E1		DATE: -		DESCRIPTION: -	
DMN: SA008712		CHK: -		APVD: -	
2-4-07		TE Connectivity		TYCO ELECTRONICS	

10 2-1634200-3 SHOWN ON-OFF-(ON)

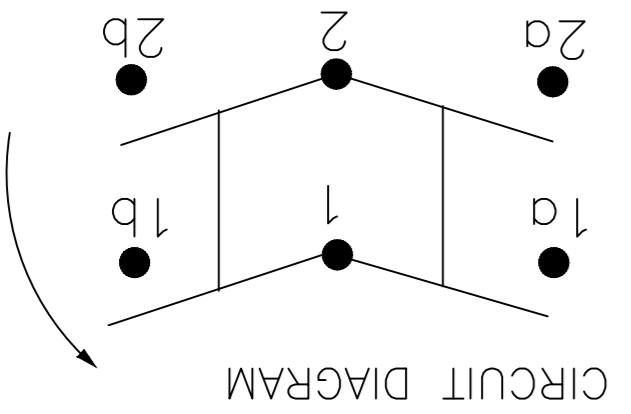
TYCO ELECTRONICS LOGO  
PER TEC-202-36



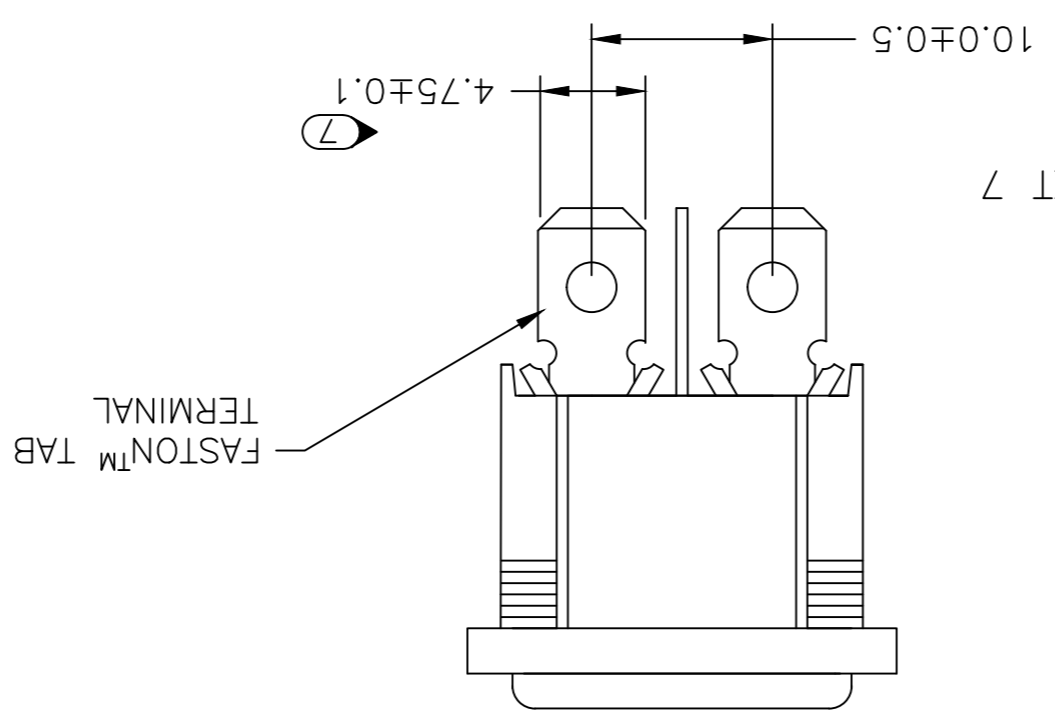
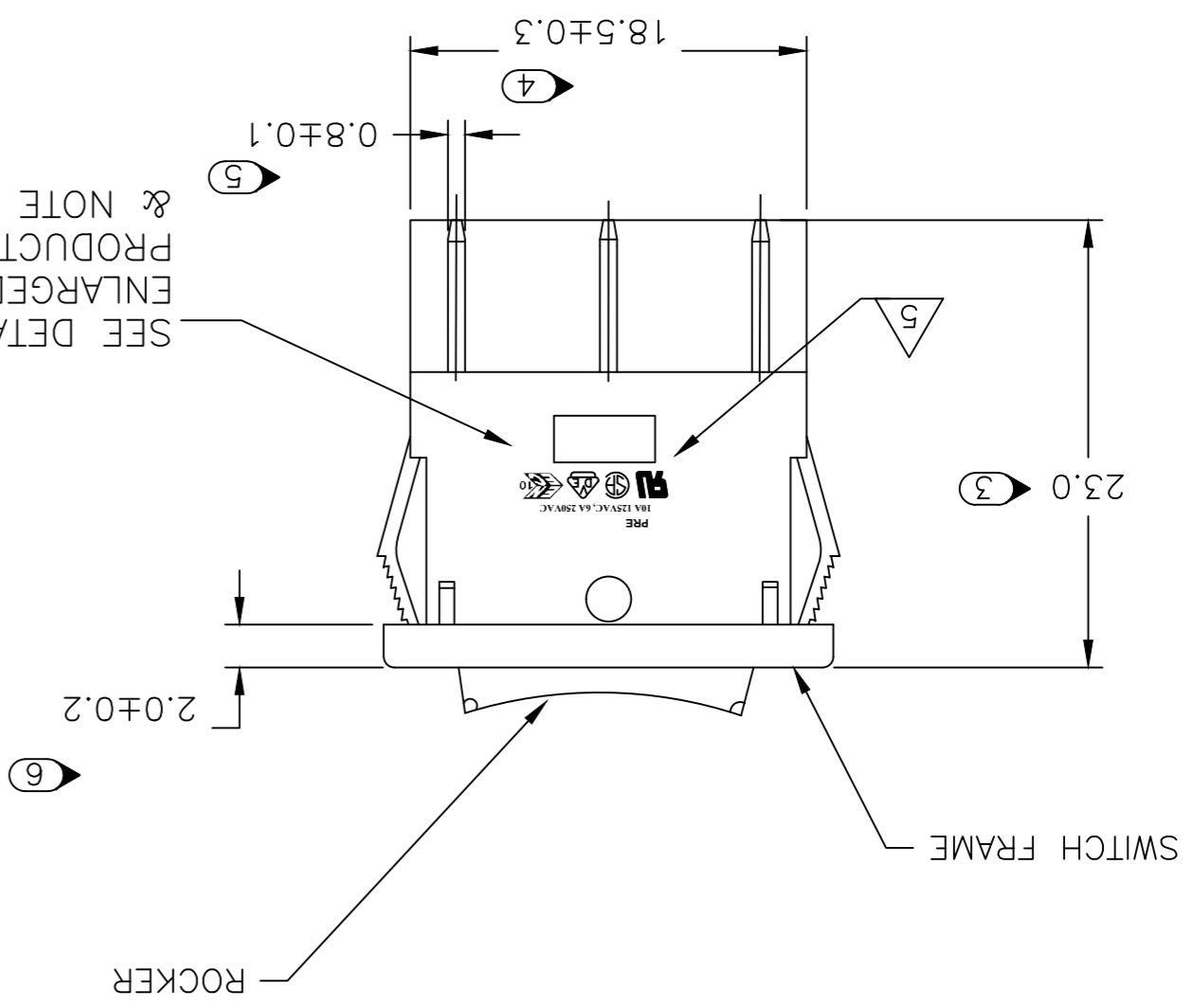
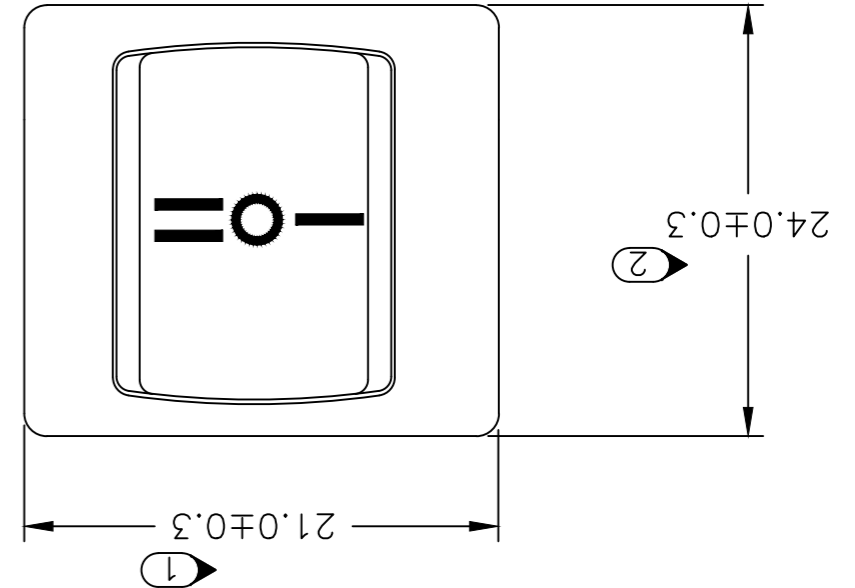
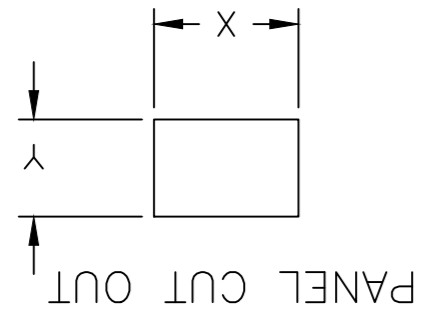
10A 125VAC, 6A 250VAC

PRE

PRODUCT MARKING  
DETAIL A



PANEL THICKNESS	X	Y
0.75-1.25	19.40	22.20
1.25-2.00	19.60	22.20
2.00-3.00	20.20	22.20



SEE DETAIL A FOR ENLARGED VIEW OF PRODUCT MARKINGS & NOTE 5 ON SHEET 7

REV	DATE	DESCRIPTION	BY	CHK	APVD
-	-	SEE SHEET 1	-	-	-

A

B

C

D

A

B

C

D

1

2

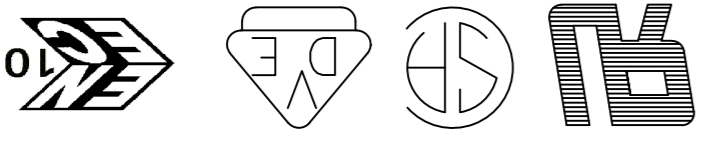
3

4

CUSTOMER DRAWING		SCALE 3:1		SHEET 6 of 7		REV E1	
MATERIAL		FINISH		WEIGHT		CUSTOMER DRAWING	
DIMENSIONS: mm		TOLERANCES UNLESS OTHERWISE SPECIFIED:		NAME		PRODUCT SPEC	
0 PLC ±		1 PLC ±		APVD		POWER ROCKER SWITCH 19.4MM X 22.2mm	
1 PLC ±		2 PLC ±		CHK		TE Connectivity	
2 PLC ±		3 PLC ±		SA008712		2-4-07	
3 PLC ±		4 PLC ±		DMN		2-4-07	
4 PLC ±		ANGLES ±		APVD		TE Connectivity	
5 PLC ±		APVD		DMN		2-4-07	
6 PLC ±		APVD		DMN		2-4-07	
7 PLC ±		APVD		DMN		2-4-07	
8 PLC ±		APVD		DMN		2-4-07	
9 PLC ±		APVD		DMN		2-4-07	
10 PLC ±		APVD		DMN		2-4-07	
11 PLC ±		APVD		DMN		2-4-07	
12 PLC ±		APVD		DMN		2-4-07	
13 PLC ±		APVD		DMN		2-4-07	
14 PLC ±		APVD		DMN		2-4-07	
15 PLC ±		APVD		DMN		2-4-07	
16 PLC ±		APVD		DMN		2-4-07	
17 PLC ±		APVD		DMN		2-4-07	
18 PLC ±		APVD		DMN		2-4-07	
19 PLC ±		APVD		DMN		2-4-07	
20 PLC ±		APVD		DMN		2-4-07	
21 PLC ±		APVD		DMN		2-4-07	
22 PLC ±		APVD		DMN		2-4-07	
23 PLC ±		APVD		DMN		2-4-07	
24 PLC ±		APVD		DMN		2-4-07	
25 PLC ±		APVD		DMN		2-4-07	
26 PLC ±		APVD		DMN		2-4-07	
27 PLC ±		APVD		DMN		2-4-07	
28 PLC ±		APVD		DMN		2-4-07	
29 PLC ±		APVD		DMN		2-4-07	
30 PLC ±		APVD		DMN		2-4-07	
31 PLC ±		APVD		DMN		2-4-07	
32 PLC ±		APVD		DMN		2-4-07	
33 PLC ±		APVD		DMN		2-4-07	
34 PLC ±		APVD		DMN		2-4-07	
35 PLC ±		APVD		DMN		2-4-07	
36 PLC ±		APVD		DMN		2-4-07	
37 PLC ±		APVD		DMN		2-4-07	
38 PLC ±		APVD		DMN		2-4-07	
39 PLC ±		APVD		DMN		2-4-07	
40 PLC ±		APVD		DMN		2-4-07	
41 PLC ±		APVD		DMN		2-4-07	
42 PLC ±		APVD		DMN		2-4-07	
43 PLC ±		APVD		DMN		2-4-07	
44 PLC ±		APVD		DMN		2-4-07	
45 PLC ±		APVD		DMN		2-4-07	
46 PLC ±		APVD		DMN		2-4-07	
47 PLC ±		APVD		DMN		2-4-07	
48 PLC ±		APVD		DMN		2-4-07	
49 PLC ±		APVD		DMN		2-4-07	
50 PLC ±		APVD		DMN		2-4-07	
51 PLC ±		APVD		DMN		2-4-07	
52 PLC ±		APVD		DMN		2-4-07	
53 PLC ±		APVD		DMN		2-4-07	
54 PLC ±		APVD		DMN		2-4-07	
55 PLC ±		APVD		DMN		2-4-07	
56 PLC ±		APVD		DMN		2-4-07	
57 PLC ±		APVD		DMN		2-4-07	
58 PLC ±		APVD		DMN		2-4-07	
59 PLC ±		APVD		DMN		2-4-07	
60 PLC ±		APVD		DMN		2-4-07	
61 PLC ±		APVD		DMN		2-4-07	
62 PLC ±		APVD		DMN		2-4-07	
63 PLC ±		APVD		DMN		2-4-07	
64 PLC ±		APVD		DMN		2-4-07	
65 PLC ±		APVD		DMN		2-4-07	
66 PLC ±		APVD		DMN		2-4-07	
67 PLC ±		APVD		DMN		2-4-07	
68 PLC ±		APVD		DMN		2-4-07	
69 PLC ±		APVD		DMN		2-4-07	
70 PLC ±		APVD		DMN		2-4-07	
71 PLC ±		APVD		DMN		2-4-07	
72 PLC ±		APVD		DMN		2-4-07	
73 PLC ±		APVD		DMN		2-4-07	
74 PLC ±		APVD		DMN		2-4-07	
75 PLC ±		APVD		DMN		2-4-07	
76 PLC ±		APVD		DMN		2-4-07	
77 PLC ±		APVD		DMN		2-4-07	
78 PLC ±		APVD		DMN		2-4-07	
79 PLC ±		APVD		DMN		2-4-07	
80 PLC ±		APVD		DMN		2-4-07	
81 PLC ±		APVD		DMN		2-4-07	
82 PLC ±		APVD		DMN		2-4-07	
83 PLC ±		APVD		DMN		2-4-07	
84 PLC ±		APVD		DMN		2-4-07	
85 PLC ±		APVD		DMN		2-4-07	
86 PLC ±		APVD		DMN		2-4-07	
87 PLC ±		APVD		DMN		2-4-07	
88 PLC ±		APVD		DMN		2-4-07	
89 PLC ±		APVD		DMN		2-4-07	
90 PLC ±		APVD		DMN		2-4-07	
91 PLC ±		APVD		DMN		2-4-07	
92 PLC ±		APVD		DMN		2-4-07	
93 PLC ±		APVD		DMN		2-4-07	
94 PLC ±		APVD		DMN		2-4-07	
95 PLC ±		APVD		DMN		2-4-07	
96 PLC ±		APVD		DMN		2-4-07	
97 PLC ±		APVD		DMN		2-4-07	
98 PLC ±		APVD		DMN		2-4-07	
99 PLC ±		APVD		DMN		2-4-07	
100 PLC ±		APVD		DMN		2-4-07	

2-1634200-6 SHOWN (ON)-OFF-(ON)

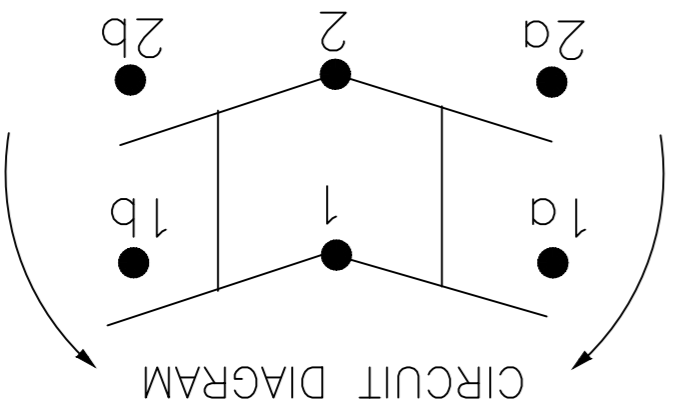
TYCO ELECTRONICS LOGO  
PER TEC-202-36



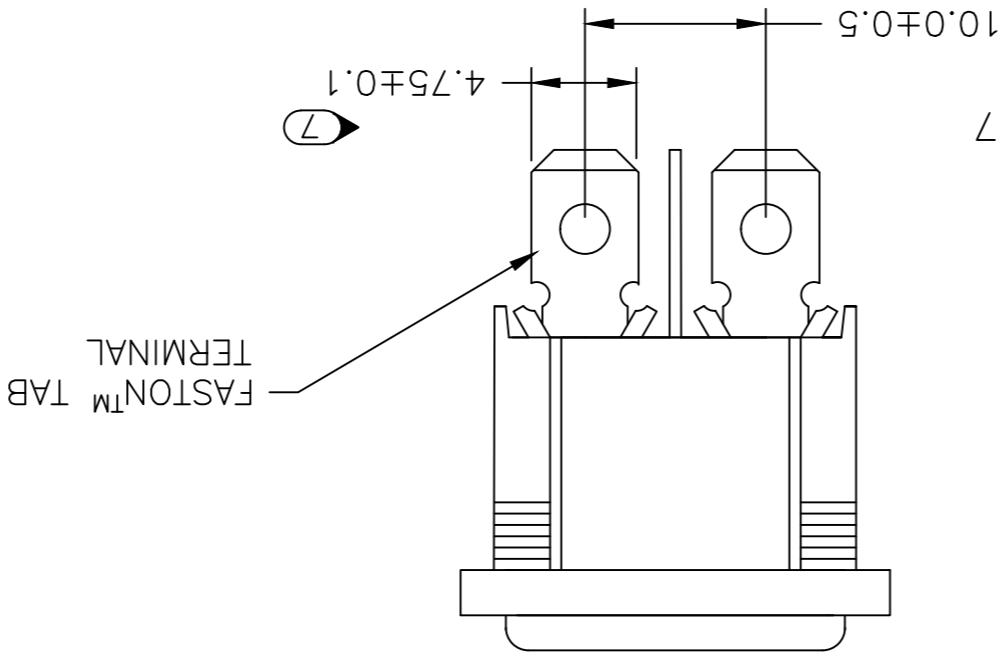
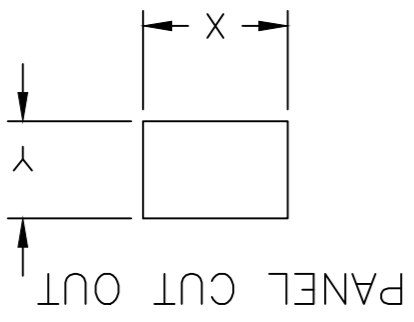
10A 125VAC, 6A 250VAC

PRE

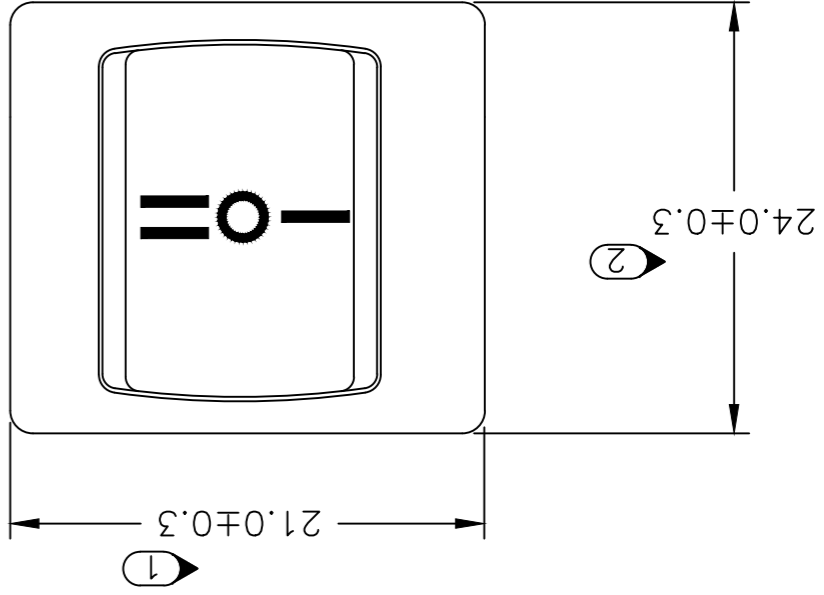
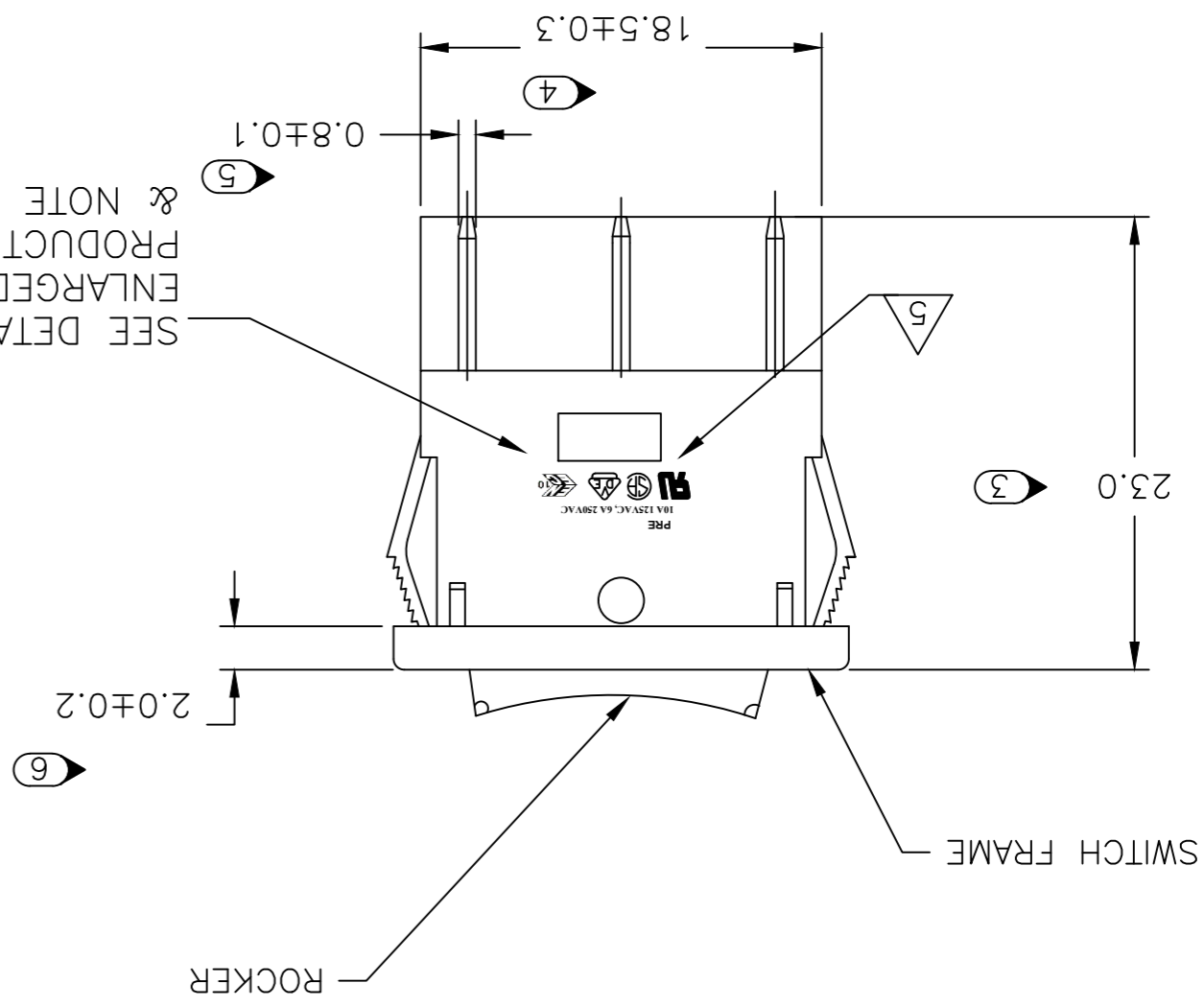
PRODUCT MARKING  
DETAIL A



PANEL THICKNESS	X	Y
0.75-1.25	19.40	22.20
1.25-2.00	19.60	22.20
2.00-3.00	20.20	22.20



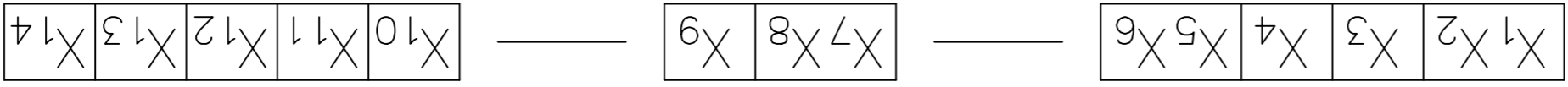
SEE DETAIL A FOR  
ENLARGED VIEW OF  
PRODUCT MARKINGS  
& NOTE 5 ON SHEET 7



REVISIONS	P	LTR	DATE	DMN	APVD
1	-	-	-	-	-
2	-	-	-	-	-
3	-	-	-	-	-
4	-	-	-	-	-

REVISIONS	DATE	DMN	APVD
1			

ALCOWITCH PART NUMBER

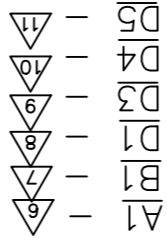


SWITCH TYPE: X1X2 = PR - POWER ROCKER

NOMINAL PANEL CUT OUT SIZE: X3 = E - 19.4X22.2 [.764X.874]

NUMBER OF POLES: X4 = D - DOUBLE

SWITCH FUNCTION: X5X6 = A1 - B1



CURRENT RATING: X7X8 = 0Z - 4

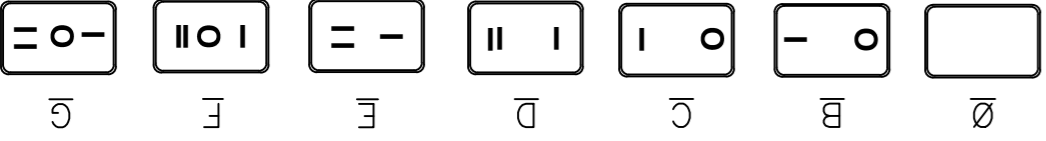
TERMINAL TYPE: X9 = E - FASTON™ TAB  
L - SOLDER LUG

FRAME COLOR: X10 = B - BLACK  
W - WHITE

ROCKER COLOR: X11 = B - BLACK  
G - GREEN  
R - RED  
W - WHITE

LEGEND TEXT COLOR: X14 = Ø - NOT APPLICABLE  
G - GREEN  
R - RED  
B - BLACK  
W - WHITE

LEGEND TEXT PATTERN: X13 =



MATERIALS: HOUSING FRAME: NYLON 66. ACTUATOR: NYLON 66/PC(ILLUMINATED) TERMINALS C1100R-1/2H WITH SILVER PLATED CONTACTS AGALLOY

FINISH: TERMINAL, ACTIVE CONTACTOR: 1.0µm [.000039] SILVER PLUNGER: 3.0µm [.000118] NICKEL

ELECTRICAL SPECIFICATIONS: CONTACT RESISTANCE : 50m ohm Max DIELECTRIC STRENGTH : AC 1500V, 1 MINUTE OPERATION TEMPERATURE: -20°C~85°C INSULATION R: DC 500V 100M ohm MIN

CURRENT AND VOLTAGE 10A@125VAC/6A@250VAC

ELECTRICAL RATINGS, APPROVED AGENCY LOGOS, TE LOGO PER TEC-202-36 APPROXIMATELY AS SHOWN AND PART NUMBER CAN APPEAR ON EITHER SIDE (FOR FULL DETAIL SEE INDIVIDUAL DRAWING)

ON-OFF, WITH OPAQUE, SINGLE-COLOR ROCKER BUTTON.

ON-OFF, WITH TRANSPARENT, LAMP-ILLUMINATED ROCKER BUTTON.

ON-ON, WITH OPAQUE, SINGLE-COLOR ROCKER BUTTON.

ON-OFF-ON, WITH OPAQUE, SINGLE-COLOR ROCKER BUTTON.

ON-OFF-(ON), WITH OPAQUE, SINGLE-COLOR ROCKER BUTTON.

(ON)-OFF-(ON), WITH OPAQUE, SINGLE-COLOR ROCKER BUTTON.

REFER TO QIP DIMENSIONAL REPORT

2002/95/EC/(RoHS) COMPLIANT

COMPONENT RECOGNIZED TO EUROPEAN STANDARDS (ENEC, PENDING VDE). MARKS LICENSE No. 40006757

SHEET REF	ALCOWITCH PART NUM BER.	TE PART NUM BER.
1	PREDA1-07F-BB00	1634200-1
1	PREDA1-07F-BB0W	1634200-2
1	PREDA1-07F-BB0CW	1634200-3
1	PREDA1-07L-BB00	1634200-4
1	PREDA1-07L-BB0W	1634200-5
1	PREDA1-07L-BB0CW	1634200-6
2	PREDB1-07F-BR00	1634200-7
2	PREDB1-07L-BR00	1634200-8
2	PREDB1-07F-BG00	1634200-9
2	PREDB1-07L-BG00	1634200-0
3	PREDD1-07F-BB0W	1-1634200-2
3	PREDD1-07L-BB00	1-1634200-3
3	PREDD1-07L-BB0W	1-1634200-4
3	PREDD1-07L-BB0CW	1-1634200-5
3	PREDD1-07L-BB0W	1-1634200-6
4	PREDD3-07F-BB0W	1-1634200-7
4	PREDD3-07L-BB0W	1-1634200-8
4	PREDD3-07L-BB0FW	1-1634200-9
4	PREDD3-07L-BB0CW	2-1634200-0
5	PREDD4-07F-BB0W	2-1634200-1
5	PREDD4-07L-BB00	2-1634200-2
5	PREDD4-07F-BB0FW	2-1634200-3
5	PREDD4-07F-BB0CW	2-1634200-4
6	PREDD5-07F-BB00	2-1634200-5
6	PREDD5-07F-BB0FW	2-1634200-6
6	PREDD5-07F-BB0CW	2-1634200-7

THIS DRAWING IS A CONTROLLED DOCUMENT. SA008712 2-4-07

TE Connectivity

POWER ROCKER SWITCH 19.4MM X 22.2mm PANEL SIZE DPST, NON-ILLUMINATED

APVD: -

PRODUCT SPEC: -

APPLICATION SPEC: -

WEIGHT: -

FINISH: 0 PLC ±, 1 PLC ±, 2 PLC ±, 3 PLC ±, 4 PLC ±

TOLERANCES UNLESS OTHERWISE SPECIFIED: -

CHK: -

DMN: SA008712 2-4-07

CUSTOMER DRAWING SCALE 3:1 SHEET 7 of 7 REV E1

## X-ON Electronics

Largest Supplier of Electrical and Electronic Components

*Click to view similar products for [Rocker Switches](#) category:*

*Click to view products by [TE Connectivity](#) manufacturer:*

Other Similar products are found below :

[VKD2GHNB-00000-000](#) [VSD2GNNB-00000-000](#) [6-1571986-5](#) [6-1571986-9](#) [632422-4B-KD](#) [7036WWCDBX653+U622](#) [8055K52Z7V](#)  
[8138K20E6M50](#) [FMC18A2200002](#) [84206L](#) [84312LX](#) [PREDD4-07F-BB0FW](#) [PREDD5-07F-BB0GW](#) [PRFDD1-16F-BB000](#) [PRFDD3-16F-](#)  
[BB000](#) [1-1634201-0](#) [999-16702-001](#) [A101J2ZQ004](#) [A101J4ZQ004](#) [A101J51CB0004](#) [A107J51ZQ0004](#) [A201J1AQ004](#) [A201J1AV2Q004](#)  
[A201J3ZB004](#) [A201J50ZQ004](#) [A203J51ZQ0004](#) [A226L11YZQ](#) [A22L11A](#) [A435S1YZQ](#) [H8500XBBBBL-A](#) [H8653VBBG2577W](#)  
[HB130CHNWWNAAC](#) [1251.0303](#) [AE205J60V3B004](#) [RH110C2NBB](#) [1352.0107](#) [1363.0201](#) [AML25GBF2AA03GR](#) [1571099-3](#) [1571987-4](#)  
[1571987-5](#) [1571989-7](#) [B123J77V7B2](#) [B226J50W4Q22P](#) [B433J37ZQ22M](#) [160212E](#) [1801.1164](#) [1831.1102](#) [1833.3402](#) [1837.1118](#)