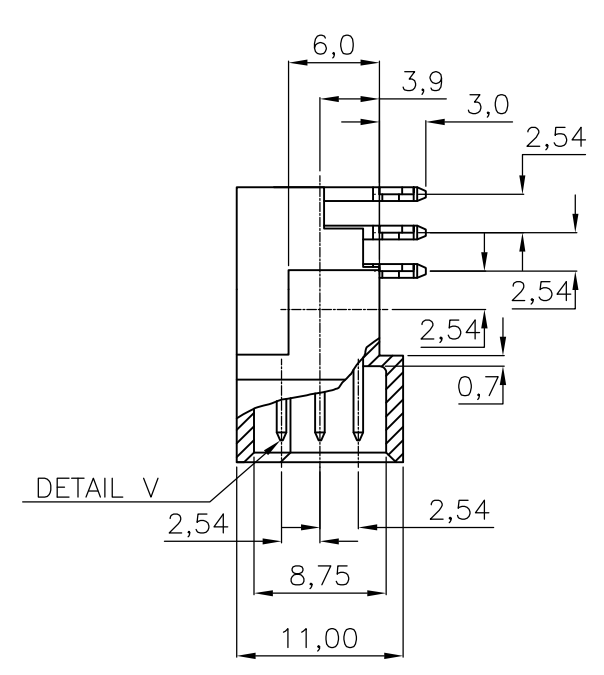
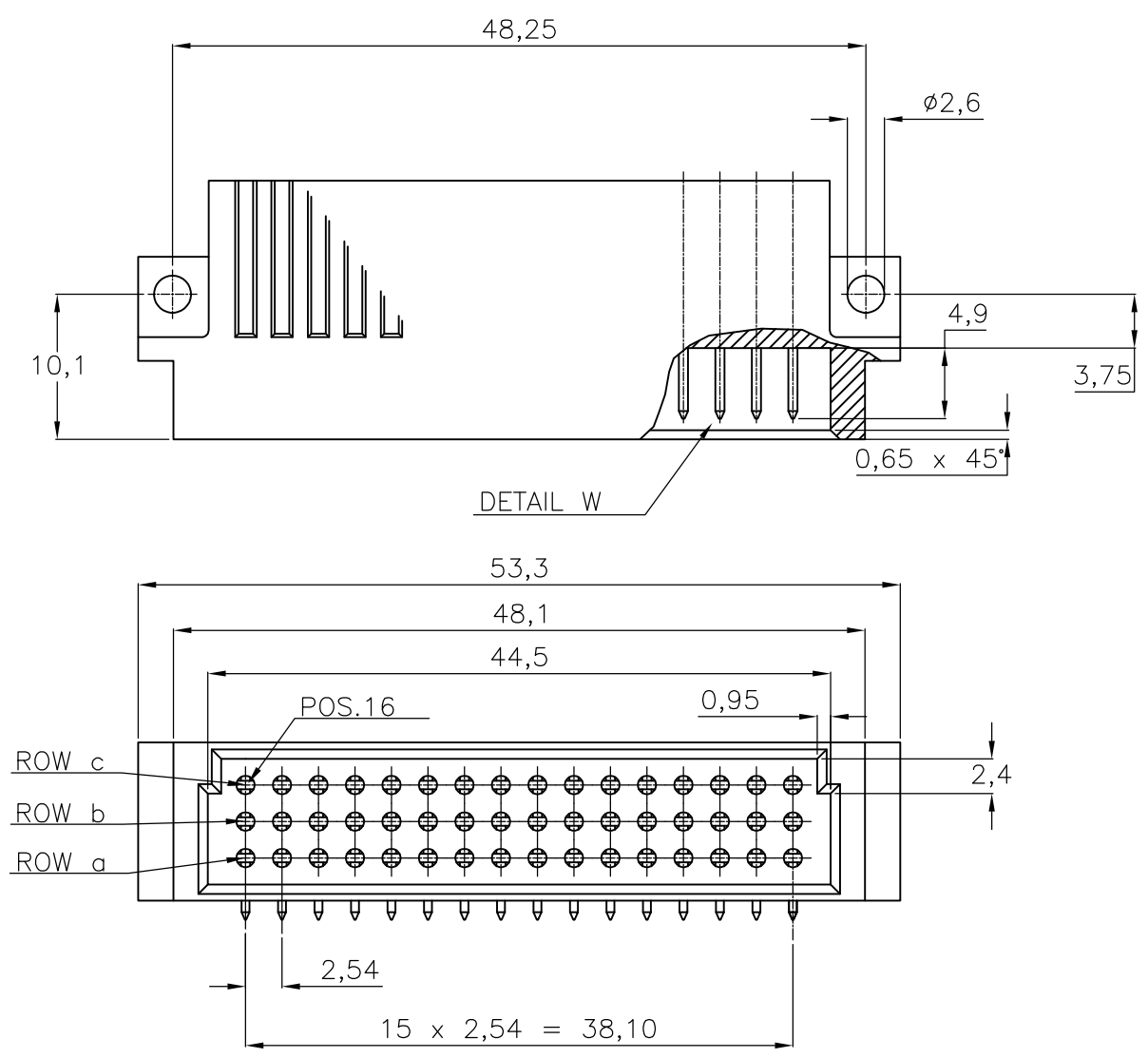
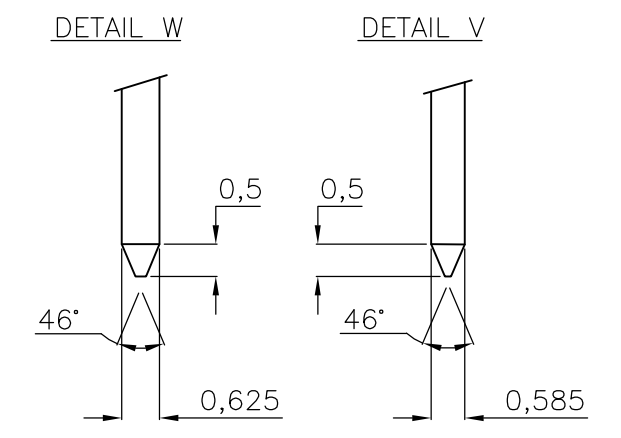


THIS DRAWING IS UNPUBLISHED. RELEASED FOR PUBLICATION  
 © COPYRIGHT - By - ALL RIGHTS RESERVED.

LOC	DIST	REVISIONS					
		P	LTR	DESCRIPTION	DATE	DWN	APVD
H	-	C		REVISED PER ECO-15-006790	06MAY2015	AP	RP



P.C.B. HOLE DIM. ACTION PIN  
 DRILLED HOLE : 1,15±0,025mm  
 FIN. HOLE : 0,94 to 1,09mm  
 AFTER REFLOW : 0,91 to 1,09mm  
 Cu-thks : 0,025 to 0,075mm  
 Sn-thks : 0,004 to 0,010mm



ROW c	x x x x x x x x x x x x x x x x
ROW b	x x x x x x x x x x x x x x x x
ROW a	x x x x x x x x x x x x x x x x
POS	16 15 14 13 12 11 10 9 8 7 6 5 4 3 2 1

AN ASTERISK „X” DENOTES A CONTACT.

- NOTES:**
- 1 MATERIAL:
    - HOUSING: THERMOPL.POLYESTER
    - COLOUR : GREY
    - CONTACTS: PHOSPHORBRONZE
  - 2 PLATING CONTACT :
    - 1 : 1,25 µm Au OVER 1,25 µm Ni AT CONNECTOR MATING SIDE.  
2,54µm Sn OVER 1,25 µm Ni AT ACTION-PIN AREA.
    - 4 : 0,8µm Au OVER 1,25 µm Ni AT CONTACT AREA.  
2,54 µm Sn OVER 1,25 µm Ni AT ACTION-PIN AREA
    - 7 : 2,0 µm Au OVER 1,25 m Ni AT CONNECTOR MATING SIDE.  
2,54 µm Sn OVER 1,25 µm Ni AT ACTION-PIN AREA.
    - 8 : 0,4µm Au OVER 1,25 µm Ni AT CONNECTOR MATING SIDE.  
2,54 µm Sn OVER 1,25 µm Ni AT ACTION-PIN AREA.

REFERENCE FAMILY DRAWING 650473 FOR ALL TYPE C HEADER OFFERINGS

OBSOLETE	SEE NOTE 2	SEE NOTE 4	216398-8
OBSOLETE	SEE NOTE 2	SEE NOTE 4	216398-7
	SEE NOTE 2	SEE NOTE 1	216398-4
	SEE NOTE 2	SEE NOTE 1	216398-1
	SEE NOTE	MATERIAL	PARTNUMBER

THIS DRAWING IS A CONTROLLED DOCUMENT.		DWN	J.V.D.HEIJDEN	10APR89	<b>STE</b> TE Connectivity
		CHK	J.V.GRUNSVEN	10APR89	
		APVD	L.V.SOEST	10APR89	
		PRODUCT SPEC			
DIMENSIONS: mm		TOLERANCES UNLESS OTHERWISE SPECIFIED:			NAME
		0 PLC	± -		48 POS. DIN 41612 TYPE C-MALE WITH ACTION PIN FOR 1,6 P.C.B. THK'S.
		1 PLC	± -		
		2 PLC	± -		
		3 PLC	± -		
		4 PLC	± -		
		ANGLES	± -		
MATERIAL		FINISH			SIZE
					A3
					CAGE CODE
					00779
					DRAWING NO
					C-216398
					RESTRICTED TO
					-
CUSTOMER DRAWING		SCALE		NTS	SHEET
				1	OF 1
				REV	C

## X-ON Electronics

Largest Supplier of Electrical and Electronic Components

*Click to view similar products for [DIN 41612 Connectors](#) category:*

*Click to view products by [TE Connectivity](#) manufacturer:*

Other Similar products are found below :

[004.767](#) [608489050008049](#) [691327-1](#) [74670-0732](#) [74680-0340](#) [75880-0015](#) [76453-0014](#) [86093159ALF](#) [9732967801](#) [QLC260R](#)  
[120X10019X](#) [120X10089X](#) [122A10249X](#) [122A11089X](#) [122A13089X](#) [122A10089X](#) [122A10129X](#) [122A10349X](#) [122A13359X](#) [1377391-4](#)  
[DIN-048CPC-SR1-MH](#) [1393583-2](#) [1393726-7](#) [140X10129X](#) [143-1913-000](#) [143-1908-000](#) [1484472-1](#) [2110070-1](#) [2110070-2](#) [CBC20T00-](#)  
[008FDS5-0-1-002VR](#) [172699-5036](#) [2-1393557-4](#) [2-1437084-2](#) [394506](#) [419-2080-402](#) [419-2085-302](#) [V42254B2202C968](#) [419-2086-201](#) [419-](#)  
[2087-002](#) [448657-1](#) [448847-3](#) [5-1393755-9](#) [02990000004](#) [033020](#) [043619](#) [054302](#) [043556](#) [0760557108](#) [09062483201750](#) [0850033067](#)