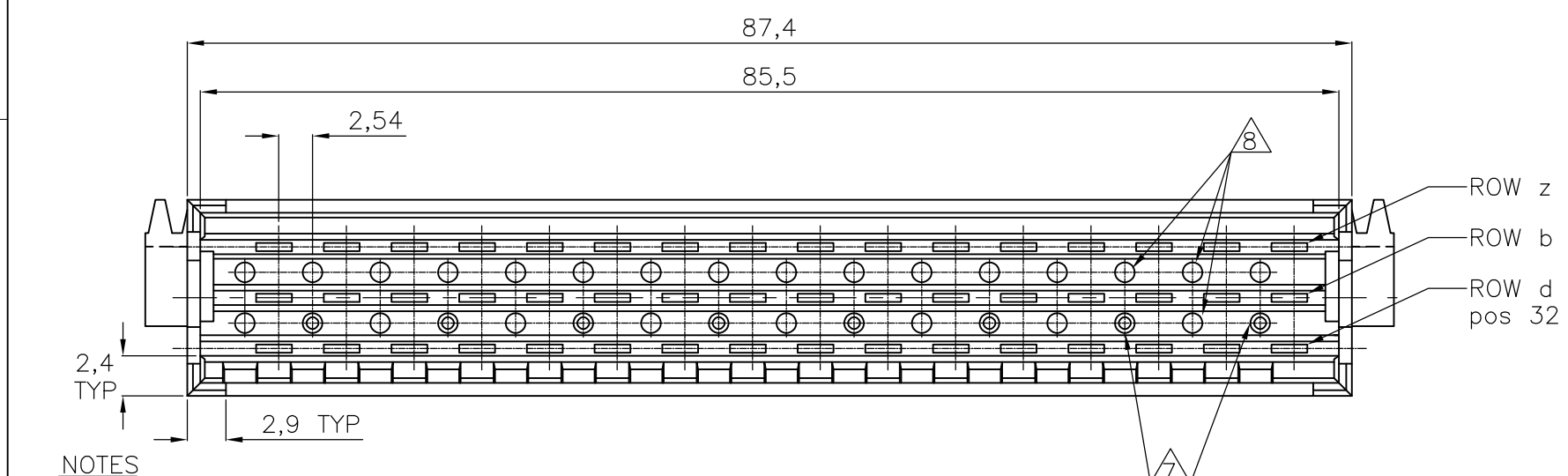
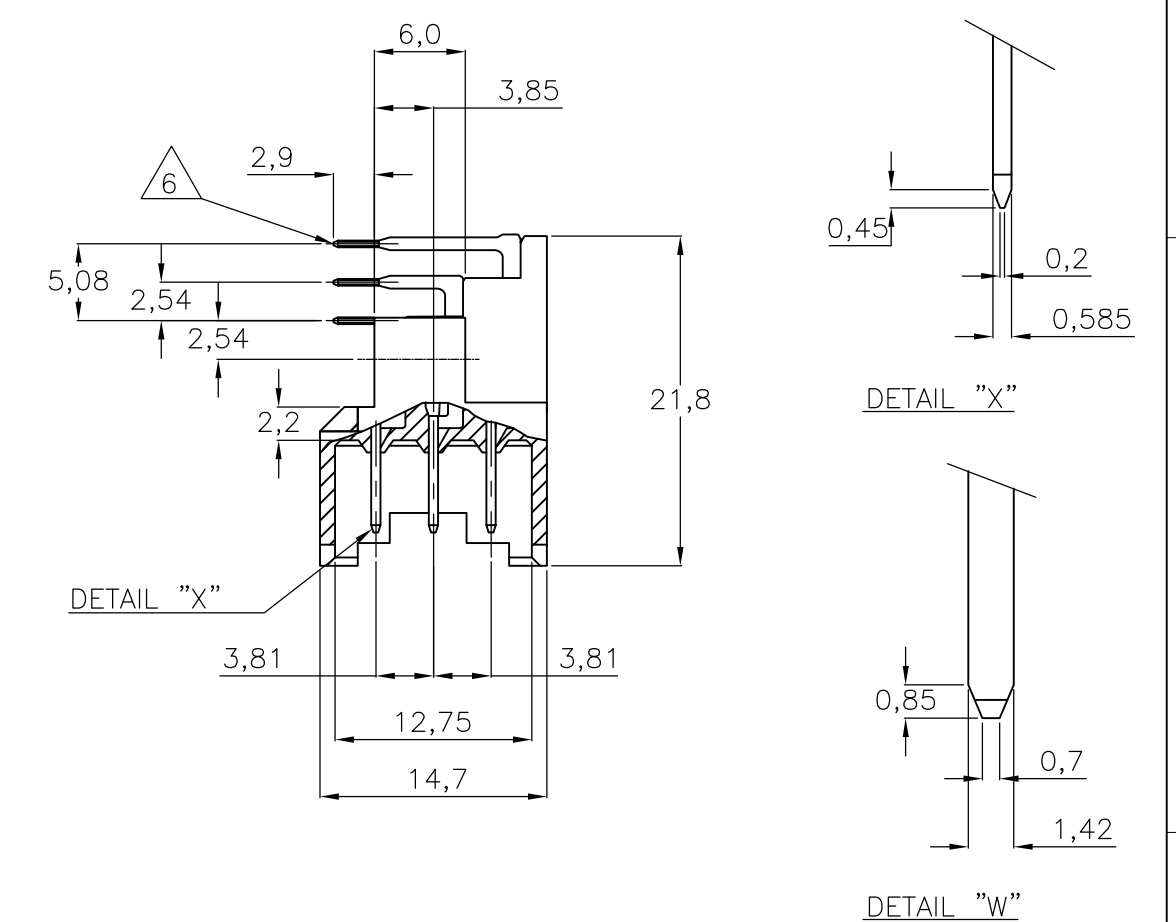
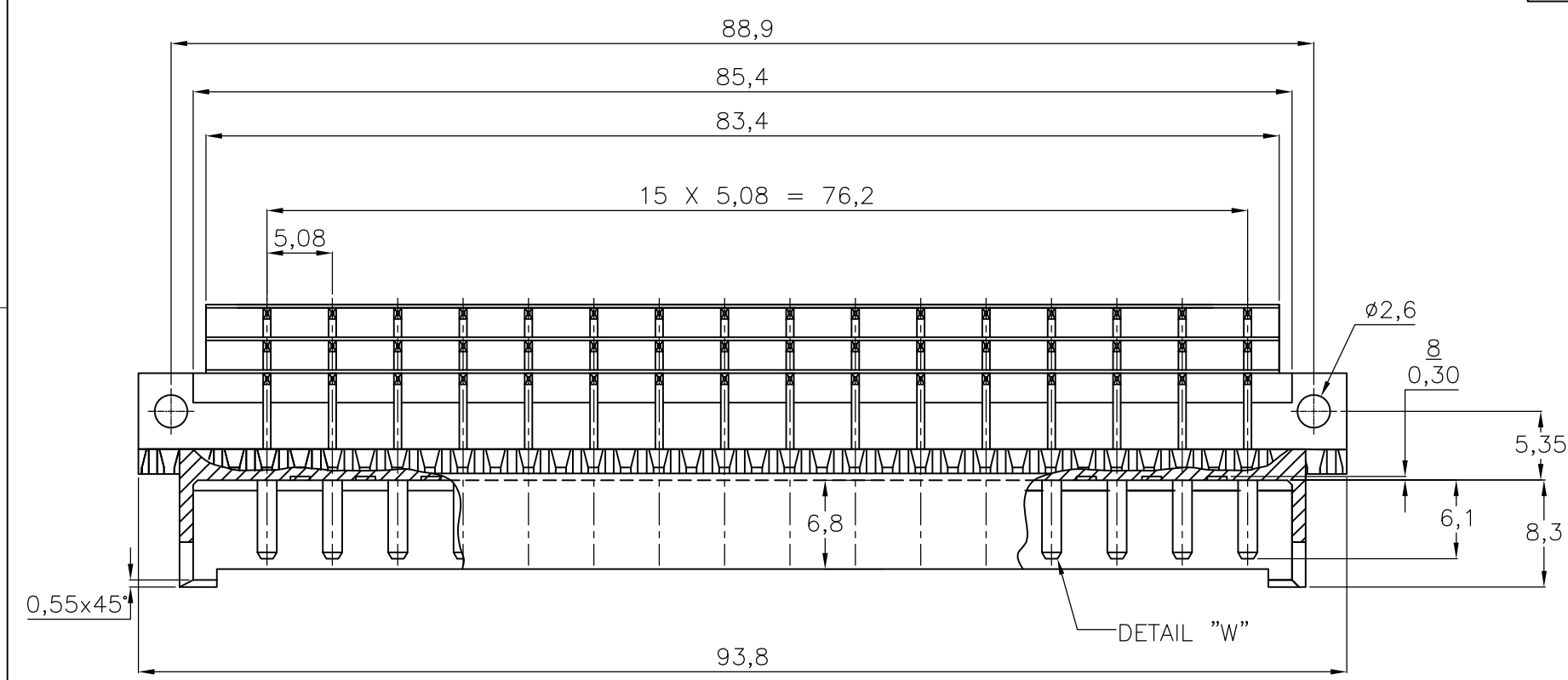


THIS DRAWING IS UNPUBLISHED. RELEASED FOR PUBLICATION
 © COPYRIGHT - By - ALL RIGHTS RESERVED.

| LOC | DIST | REVISIONS | | | | | |
|-----|------|-----------|-----|---------------------------|-----------|-----|------|
| H | - | P | LTR | DESCRIPTION | DATE | DWN | APVD |
| | | | Y | REVISED PER ECO-15-005333 | 07JUL2015 | AP | RP |



| POS. NO | 2 | 4 | 6 | 8 | 10 | 12 | 14 | 16 | 18 | 20 | 22 | 24 | 26 | 28 | 30 | 32 |
|------------|---|---|---|---|----|----|----|----|----|----|----|----|----|----|----|----|
| F 48 ROW z | x | x | x | x | x | x | x | x | x | x | x | x | x | x | x | x |
| F 48 ROW b | x | x | x | x | x | x | x | x | x | x | x | x | x | x | x | x |
| F 48 ROW d | x | x | x | x | x | x | x | x | x | x | x | x | x | x | x | x |

AN ASTERISK „X” DENOTES A STANDARD CONTACT.

NOTES

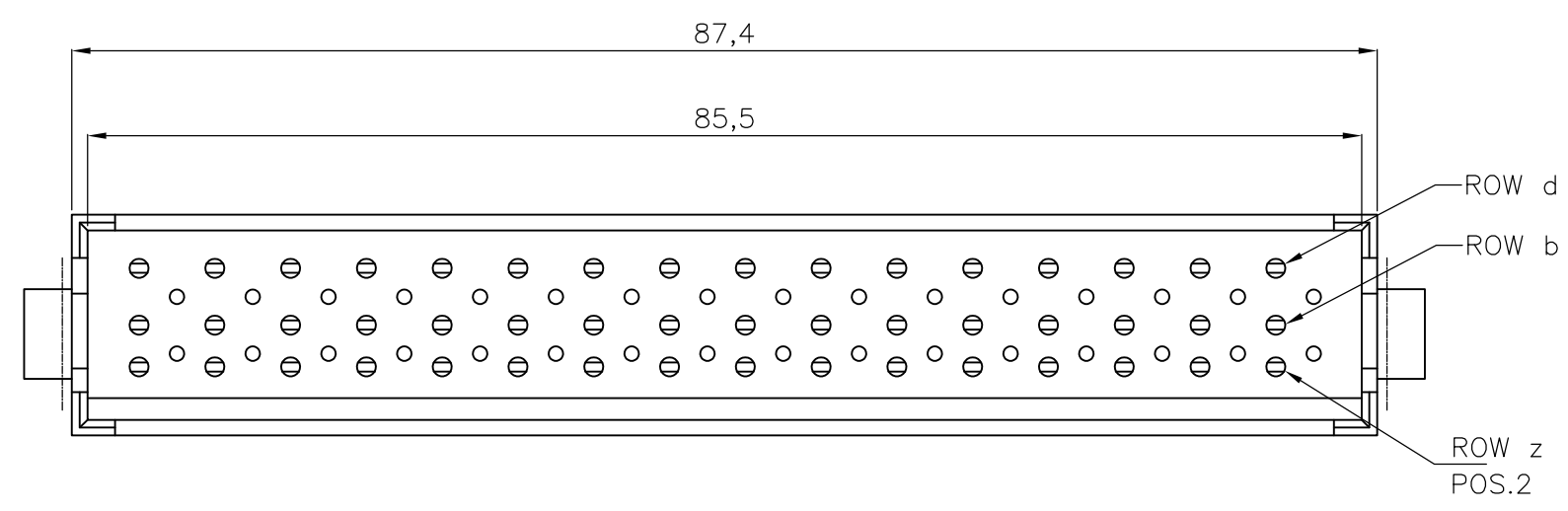
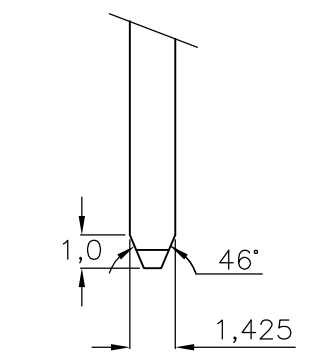
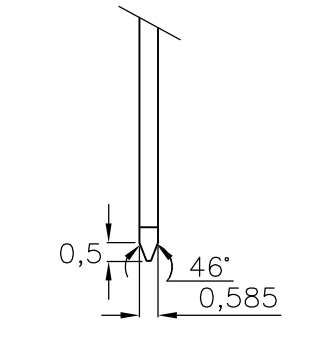
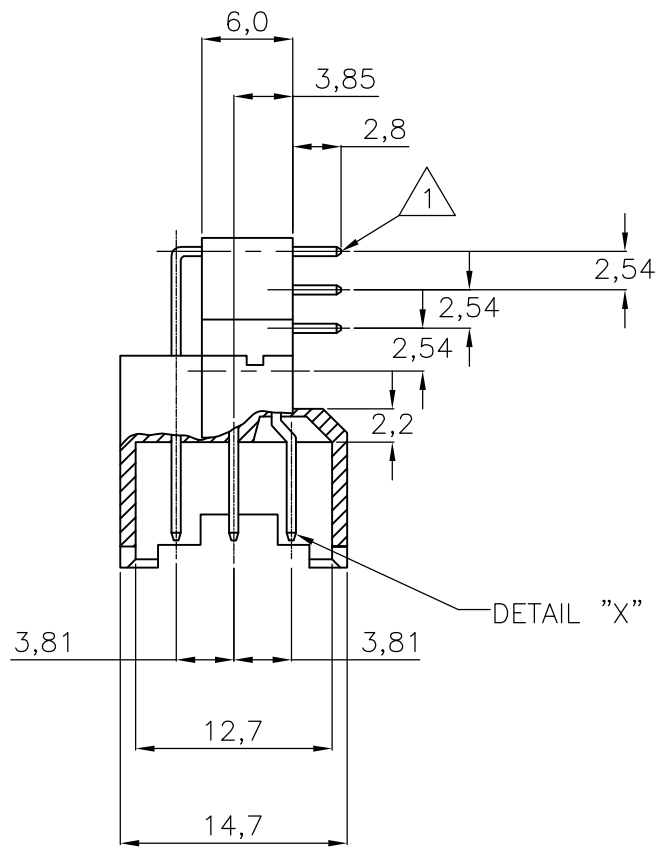
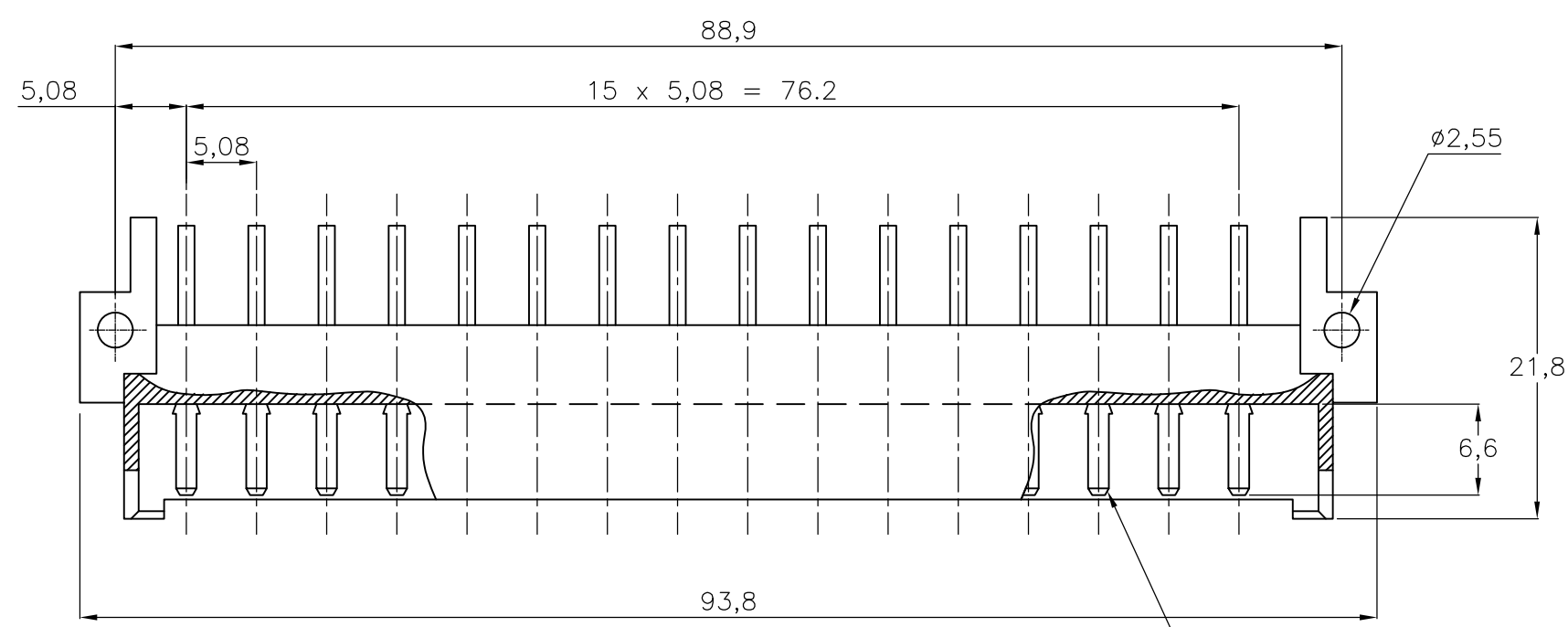
- 1 MATERIAL:
-HOUSING: THERMOPLASTIC POLYESTER, COLOR GREY.
-CONTACTS: BRASS.
- 2 PLATING CONTACT: EIC 60603-2 PERFORMANCE LEVEL I OVER NICKEL IN CONTACT AREA. TIN OVER 1.25µm Ni ON SOLDER POST.
- 3 PLATING CONTACT: EIC 60603-2 PERFORMANCE LEVEL II OVER NICKEL IN CONTACT AREA. TIN OVER 1.25µm Ni ON SOLDER POST.
- 4 PLATING CONTACT: 2,0 µm Au OVER 1,25 µm Ni IN CONTACT AREA. Sn over 1,25 µm Ni ON SOLDER POST.
- 5 PLATING CONTACT: EIC 60603-2 PERFORMANCE LEVEL III OVER NICKEL IN CONTACT AREA. TIN OVER 1.25µm Ni ON SOLDER POST.
- 6 SOLDER POSTS SUITABLE FOR P.C.B. HOLES 0,8+/-0,05 OR 1,0+/-0,1 DIA.
- 7 8 HOLES SUITABLE FOR KEYING PIN PN. 215916-1.
- 8 KEYING HOLES TO BE DRILLED BY CUSTOMER.

| | |
|--------------------------|-------------|
| SEE NOTE 5 | 2-164045-8 |
| 2--7 OBSOLETE SEE NOTE 4 | SEE NOTE 1 |
| SEE NOTE 3 | 2-164045-7 |
| SEE NOTE 2 | 2-164045-4 |
| FINISH | MATERIAL |
| | PART NUMBER |

| | | | | |
|--|--|------------------------|----------------------------|------------|
| THIS DRAWING IS A CONTROLLED DOCUMENT. | | DWN R.v.LOKVEN 27AUG91 | STE TE Connectivity | |
| DIMENSIONS: mm | | CHK J.GIBBELS | | |
| TOLERANCES UNLESS OTHERWISE SPECIFIED: | | APVD - | NAME | |
| 0 PLC ± - | | PRODUCT SPEC - | 48 POS. DIN 41612 F MALE | |
| 1 PLC ± - | | APPLICATION SPEC - | 90 DEG. SOLDER CONNECTOR | |
| 2 PLC ± - | | SIZE | CAGE CODE | DRAWING NO |
| 3 PLC ± - | | WEIGHT - | A300779 | C-164045 |
| 4 PLC ± - | | CUSTOMER DRAWING | | |
| ANGLES ± - | | SCALE | SHEET | REV |
| FINISH - | | NTS | 1 OF 2 | Y |

THIS DRAWING IS UNPUBLISHED. RELEASED FOR PUBLICATION
 © COPYRIGHT - By - ALL RIGHTS RESERVED.

| LOC | DIST | REVISIONS | | | |
|-----|------|-------------|------|-----|------|
| P | LTR | DESCRIPTION | DATE | DWN | APVD |
| H | - | SEE SHEET 1 | - | - | - |



- 9 PLATING CONTACT: 1,25 µm Au OVER 1,25 µm Ni IN CONTACT AREA. Sn over 1,25 µm Ni ON SOLDER POST.
- 10 PLATING CONTACT: 0,8 µm Au OVER 1,25 µm Ni IN CONTACT AREA. Sn over 1,25 µm Ni ON SOLDER POST.

| | | | | | |
|--------------------------|----------|----------|----------|-------------|------------|
| SUPERSEDED BY 2-164045-4 | SEE NOTE | 10 | SEE NOTE | 1 | 9-164045-4 |
| SUPERSEDED BY 2-164045-1 | SEE NOTE | 9 | SEE NOTE | 1 | 9-164045-1 |
| FINISH | | MATERIAL | | PART NUMBER | |

| POS. NO | 2 | 4 | 6 | 8 | 10 | 12 | 14 | 16 | 18 | 20 | 22 | 24 | 26 | 28 | 30 | 32 |
|----------|---|---|---|---|----|----|----|----|----|----|----|----|----|----|----|----|
| F 48 ROW | x | x | x | x | x | x | x | x | x | x | x | x | x | x | x | x |
| | x | x | x | x | x | x | x | x | x | x | x | x | x | x | x | x |
| | x | x | x | x | x | x | x | x | x | x | x | x | x | x | x | x |

AN ASTERISK „X” DENOTES A STANDARD CONTACT.

THIS DRAWING IS A CONTROLLED DOCUMENT.

| | | | | | | | | |
|------------------|-----------|---------|---|-------|-----------|------------|---------------|---|
| DWN | J.GIBBELS | 04AUG97 | TE Connectivity 48 POS. DIN 41612 F MALE 90 DEG. SOLDER CONNECTOR | | | | | |
| CHK | J.GIBBELS | - | | | | | | |
| APVD | - | - | | | | | | |
| PRODUCT SPEC | - | - | | | | | | |
| APPLICATION SPEC | - | - | NAME | SIZE | CAGE CODE | DRAWING NO | RESTRICTED TO | |
| WEIGHT | - | - | A3 | 00779 | C-164045 | - | | |
| CUSTOMER DRAWING | | | SCALE | NTS | SHEET | 2 OF 2 | REV | Y |

X-ON Electronics

Largest Supplier of Electrical and Electronic Components

Click to view similar products for [DIN 41612 Connectors](#) category:

Click to view products by [TE Connectivity](#) manufacturer:

Other Similar products are found below :

[004.767](#) [608489050008049](#) [691327-1](#) [74670-0732](#) [74680-0340](#) [75880-0015](#) [76453-0014](#) [86093159ALF](#) [9732967801](#) [QLC260R](#)
[120X10019X](#) [120X10089X](#) [122A10249X](#) [122A11089X](#) [122A13089X](#) [122A10089X](#) [122A10129X](#) [122A10349X](#) [122A13359X](#) [1377391-4](#)
[DIN-048CPC-SR1-MH](#) [1393583-2](#) [1393726-7](#) [140X10129X](#) [143-1913-000](#) [143-1908-000](#) [1484472-1](#) [2110070-1](#) [2110070-2](#) [CBC20T00-](#)
[008FDS5-0-1-002VR](#) [172699-5036](#) [2-1393557-4](#) [2-1437084-2](#) [394506](#) [419-2080-402](#) [V42254B2202C968](#) [419-2086-201](#) [419-2087-002](#)
[448657-1](#) [448847-3](#) [5-1393755-9](#) [02990000004](#) [054302](#) [043556](#) [09062483201750](#) [0850033067](#) [09031646555](#) [09061486901840](#)
[09185107324800](#) [102A10019X](#)