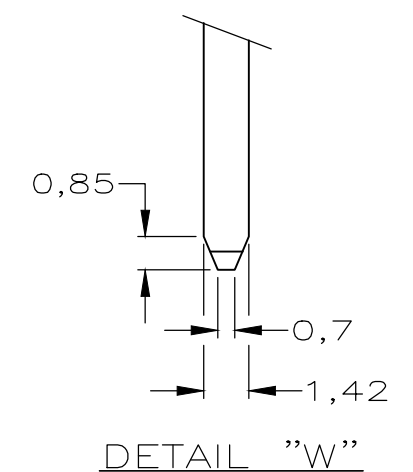
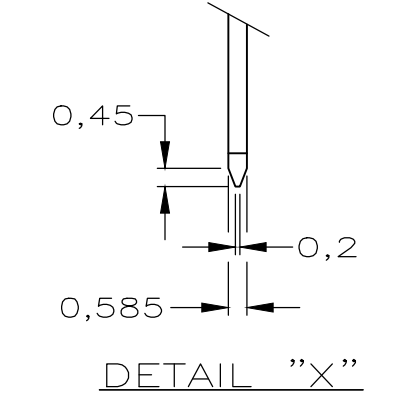
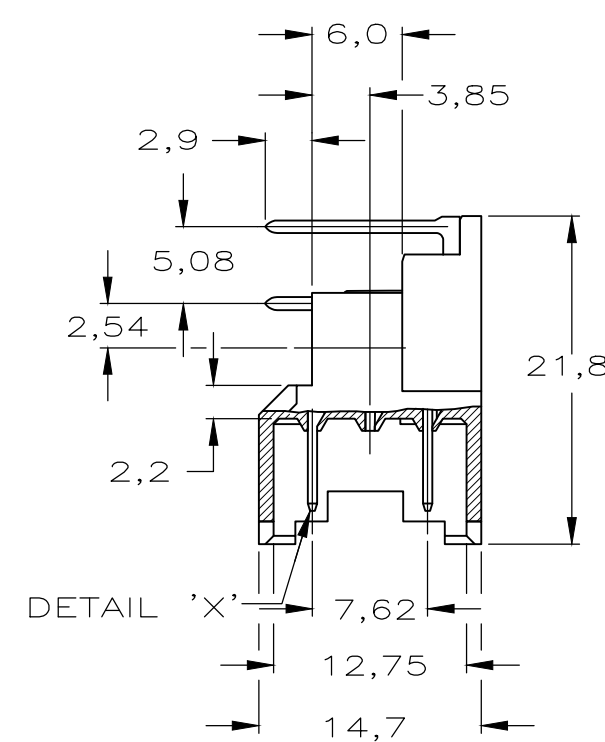
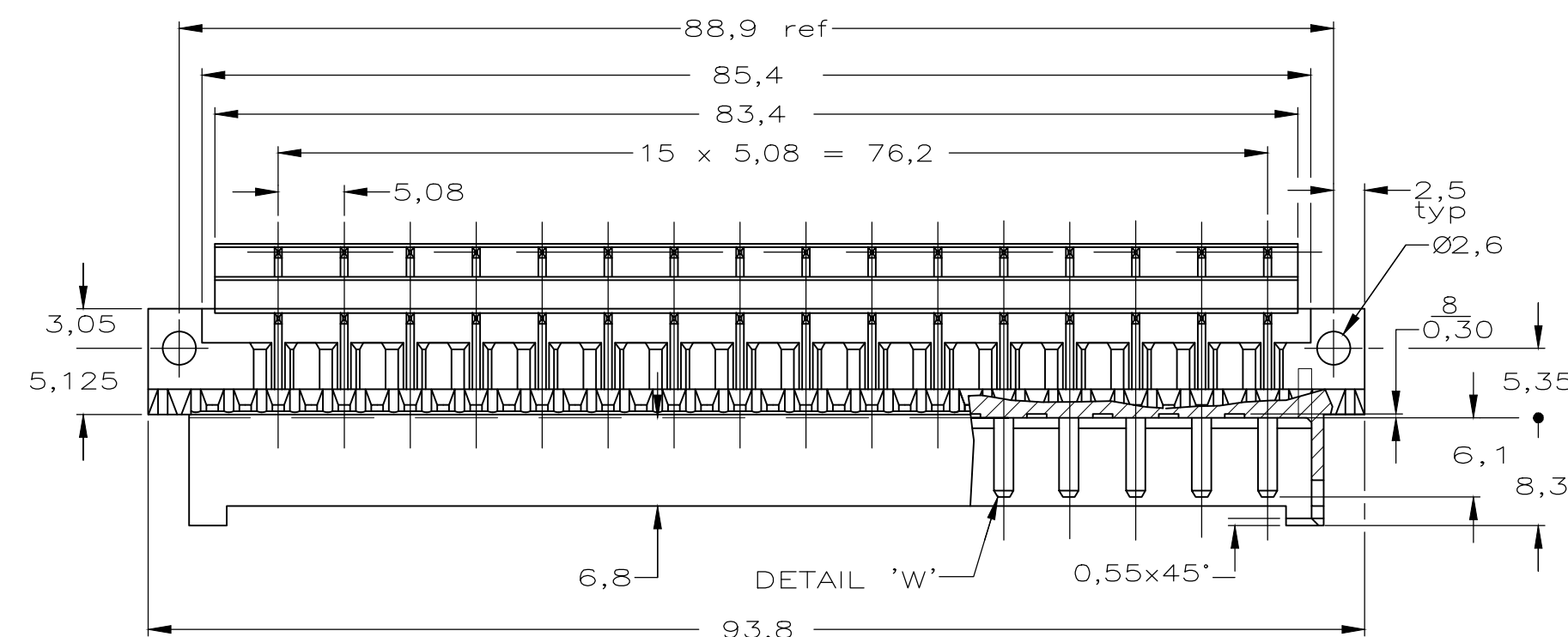


REVISIONS					
P	LTR	DESCRIPTION	DATE	DWN	APVD
	K	REVISED PER ECO-20-012547	04NOV2020	RZ	HL



POS. NO	2	4	6	8	10	12	14	16	18	20	22	24	26	28	30	32
F 48 ROW	N	X	X	X	X	X	X	X	X	X	X	X	X	X	X	X
	D
	U	X	X	X	X	X	X	X	X	X	X	X	X	X	X	X

AN ASTERISK „X” DENOTES A FMLB CONTACT.

NOTES

- 1 MATERIAL:
-HOUSING: THERMOPLASTIC POLYESTER, COLOR GREY.
-CONTACTS: BRASS.
- 2 PLATING CONTACT: 1,25 μm Au OVER 1,25 μm Ni IN CONTACT AREA.
Sn over 1,25 μm Ni ON SOLDER POST.
- 3 PLATING CONTACT: CONFIRMS TO IEC60603-2 PERFORMANCE LEVEL II REQUIREMENT
IN CONTACT AREA, Sn OVER Ni IN SOLDER AREA.
- 4 PLATING CONTACT: 2,0 μm Au OVER 1,25 μm Ni IN CONTACT
AREA. Sn over 1,25 μm Ni ON SOLDER POST.
- 5 PLATING CONTACT: 0,4 μm Au OVER 1,25 μm Ni IN CONTACT
AREA. Sn over 1,25 μm Ni ON SOLDER POST.
- 6 SOLDER POSTS SUITABLE FOR P.C.B. HOLES
0,8±0,05 OR 1,0±0,1 DIA.
- 7 8 HOLES SUITABLE FOR KEYING PIN PN. 215916-1.
- 8 KEYING HOLES TO BE DRILLED BY CUSTOMER.

2--8 OBSOLETE	SEE NOTE 5	SEE NOTE 1	2-164306-8
2--7 OBSOLETE	SEE NOTE 4		2-164306-7
	SEE NOTE 3		2-164306-4
	SEE NOTE 2		2-164306-1
	FINISH	MATERIAL	PARTNUMBER

THIS DRAWING IS A CONTROLLED DOCUMENT.		DWN R.v.Lokven 31.03.93	STE TE Connectivity	
DIMENSIONS: mm		CHK J.GIBBELS		
TOLERANCES UNLESS OTHERWISE SPECIFIED:		APVD -	NAME	
0 PLC ± -		PRODUCT SPEC -	32 POS. DIN 41612 F MALE	
1 PLC ± -		APPLICATION SPEC -	90 DEGREE SOLDER CONNECTOR	
2 PLC ± -		WEIGHT 0.000000	SIZE A3	CAGE CODE 00779
3 PLC ± -		CUSTOMER DRAWING	DRAWING NO C-164306	RESTRICTED TO -
4 PLC ± -			SCALE -	SHEET 1 OF 1
ANGLES ± -				REV K
FINISH -				

X-ON Electronics

Largest Supplier of Electrical and Electronic Components

Click to view similar products for [DIN 41612 Connectors](#) category:

Click to view products by [TE Connectivity](#) manufacturer:

Other Similar products are found below :

[09231126901](#) [PCN10F-24P-2.54DS\(72\)](#) [004.767](#) [02221602702](#) [024069](#) [602427301412000](#) [013275](#) [691327-1](#) [74670-0732](#) [74680-0340](#)
[75880-0015](#) [76453-0014](#) [86093159ALF](#) [923454](#) [QLC260R](#) [120X10099X](#) [120X10019X](#) [120X10089X](#) [120X10129X](#) [121A10039X](#)
[121A10309X](#) [122A10019X](#) [122A10029X](#) [122A10249X](#) [122A10669X](#) [122A11089X](#) [122A13089X](#) [122A10089X](#) [122A10129X](#)
[122A10349X](#) [122A13359X](#) [1377391-4](#) [1393583-2](#) [1393726-7](#) [140X10059X](#) [140X10129X](#) [143-1913-000](#) [143-1908-000](#) [1484472-1](#) [173052](#)
[2110070-1](#) [2110070-2](#) [CBC20T00-008FDS5-0-1-002VR](#) [983-0SE12-12P6](#) [17041102202](#) [172699-5036](#) [173051](#) [PCN10-96S-2.54DSA\(77\)](#) [2-](#)
[1393557-4](#) [2-1437084-2](#)