

4

3

2

1

THIS DRAWING IS UNPUBLISHED.

RELEASED FOR PUBLICATION

20

LOC

DIST

REVISIONS

© COPYRIGHT 20

ALL RIGHTS RESERVED.

IR

2

P

LTR

DESCRIPTION

DATE

DWN

APVD

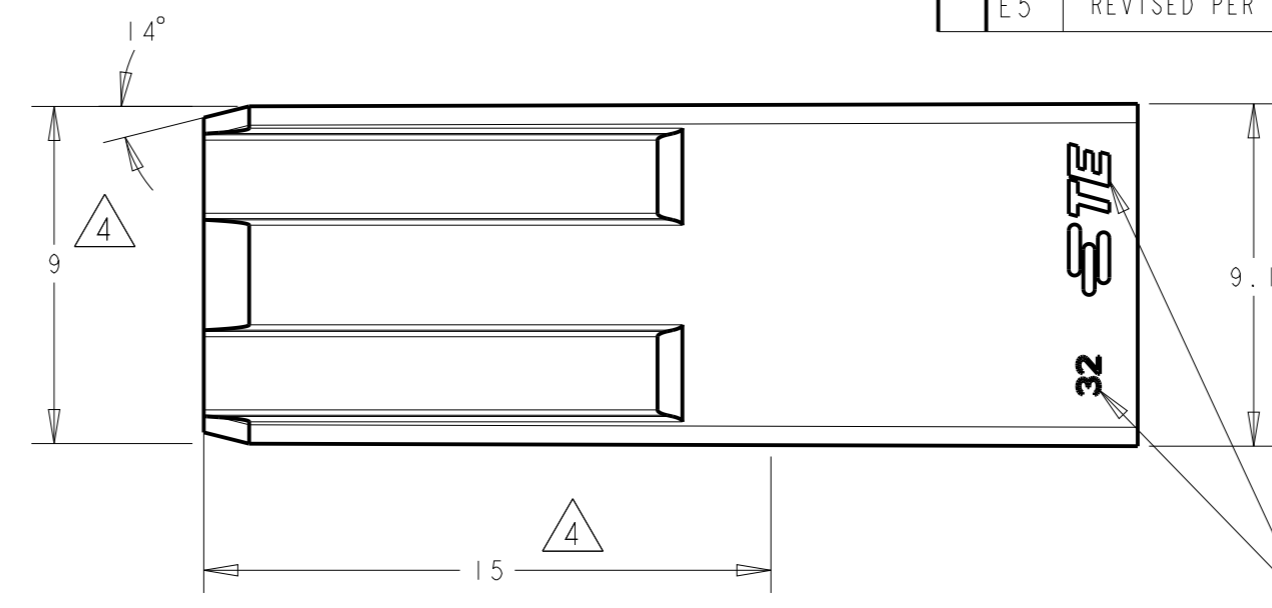
E5

REVISED PER ECR-21-100829

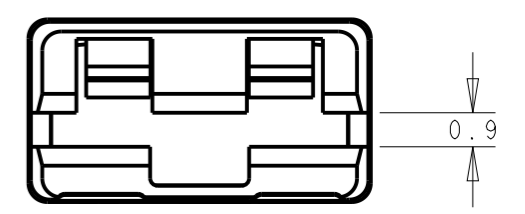
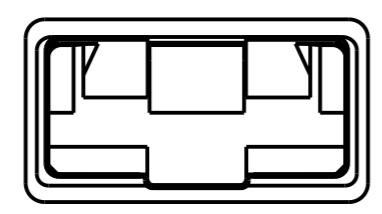
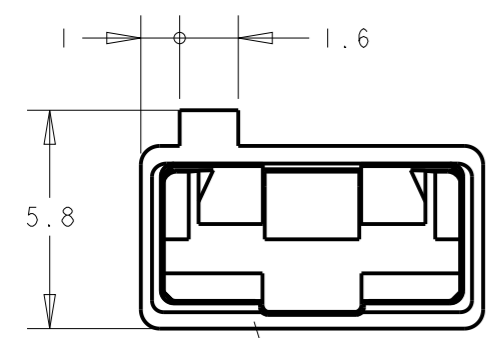
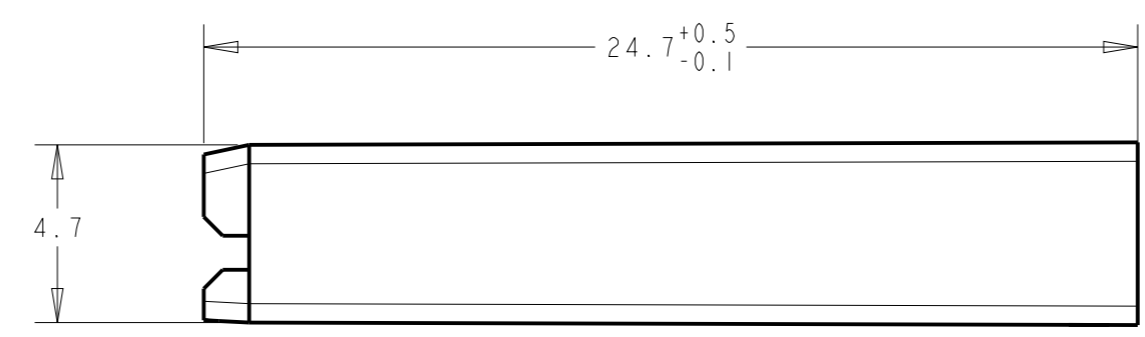
10MAR2021

MK

EW

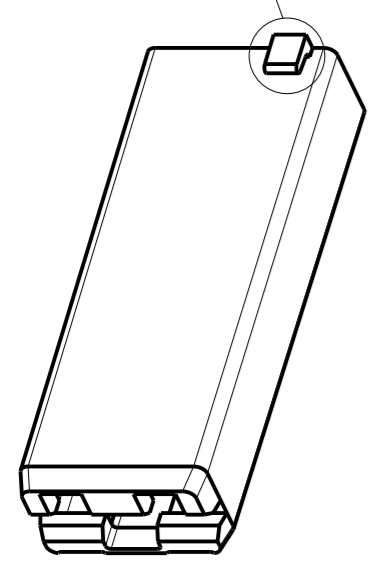


- 1 SUITABLE FOR TERMINAL 336074 336075, 336076 AND 1644008
- 2 TE LOGO, CAN BE PRESENT ON ONE OF THE INDICATED AREAS
- 3 CAVITY ID NUMBER, CAN BE PRESENT ON ONE OF THE INDICATED AREAS
- 4 9mm WIDTH ALONG 15mm.
- 5 P/N 2-1644125-6 IS A PRELIMINARY PART - NOT RELEASED FOR PRODUCTION

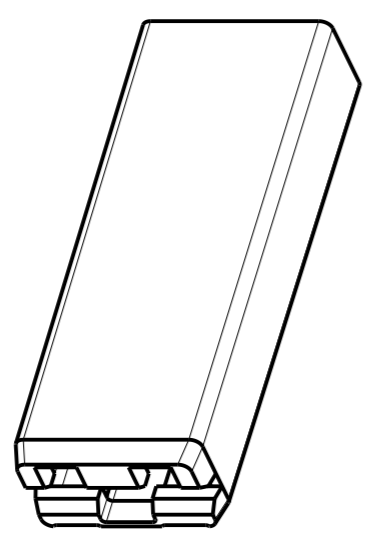


VERSION WITH POLARIZATION (SEE TABLE)

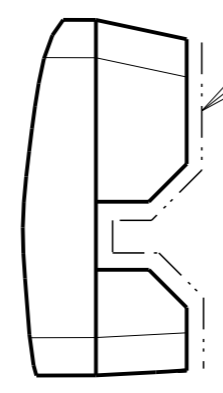
VERSION WITHOUT POLARIZATION (SEE TABLE)



SCALE 3:1

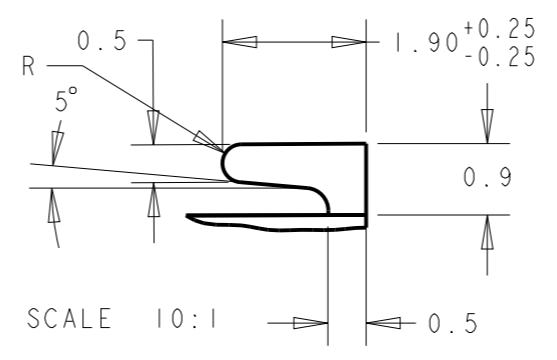


SCALE 3:1



SCALE 10:1

Small burrs are permitted in this area



SCALE 10:1

NO	BLACK	PA 6/6 V2	3-1644125-0
NO	NATURAL	PA 6/6 V2	2-1644125-9
NO	NATURAL	PA 66 V0 GWT 750°C WITHOUT FLAME	2-1644125-8
NO	BLUE	PA 6 V2 GWT 750°C WITHOUT FLAME	2-1644125-7
NO	NATURAL	PP V2 GWT 750°C WITHOUT FLAME	2-1644125-6
NO	NATURAL	PA 6 V2 GWT 750°C WITHOUT FLAME	2-1644125-5
YES	BLACK	PA6/6 V0 FOR HIGH TEMPERATURE	9-1644125-5
YES	DARK GREY	PA 6 V2 GWT 750°C WITHOUT FLAME	2-1644125-4
NO	BLACK	PA6/6 V0 FOR HIGH TEMPERATURE	9-1644125-4
NO	DARK GREY	PA 6 V2 GWT 750°C WITHOUT FLAME	2-1644125-3
POLARIZATION		COLOR	MATERIAL
			PN

THIS DRAWING IS A CONTROLLED DOCUMENT.

DIMENSIONS:	TOLERANCES UNLESS OTHERWISE SPECIFIED:
mm	
0 PLC	±0.2
1 PLC	±0.2
2 PLC	±0.2
3 PLC	±0.2
4 PLC	±0.2
ANGLES	±°
MATERIAL	FINISH
SEE TABLE	-

DWN	J. Saló	31-Aug-04
CHK	L. Lázaro	1-Sep-04
APVD	-	-
PRODUCT SPEC	108-22149, 108-20336 (2--6) 108-22072 (9--4, 9--5)	
APPLICATION SPEC	114-22019	
WEIGHT	-	
Customer Drawing		



6,35 E-SPRING SLEEVE PROTECCION PARA 6,35 E-SPRING

SIZE	CAGE CODE	DRAWING NO	RESTRICTED TO
A3	00779	1644125	-

SCALE 3:1 SHEET 1 OF 1 REV E5

X-ON Electronics

Largest Supplier of Electrical and Electronic Components

Click to view similar products for [Terminals](#) category:

Click to view products by [TE Connectivity](#) manufacturer:

Other Similar products are found below :

[00-054007-01074-6](#) [00-054007-70206-1](#) [00-054007-70210-8](#) [00-054007-70217-7](#) [00-054007-70226-9](#) [00-054007-70228-3](#) [00-054007-70248-1](#) [00-054007-70256-6](#) [00-054007-70301-3](#) [00-054007-70316-7](#) [00-054007-49560-4](#) [00-054007-70209-2](#) [00-054007-70225-2](#) [00-054007-70227-6](#) [00-054007-70231-3](#) [00-054007-70241-2](#) [00-054007-70242-9](#) [00-054007-70244-3](#) [00-054007-70246-7](#) [00-054007-70263-4](#) [00-054007-70288-7](#) [00-054007-70290-0](#) [00-054007-70300-6](#) [00-054007-70304-4](#) [01-2065-1-0216](#) [01-2900-1-04412](#) [00581P0075](#) [600TS-10](#) [60205-1](#) [604200-1](#) [605601-1](#) [60598-1-CUT-TAPE](#) [61314-6-C](#) [61810-3](#) [61-S](#) [61-SN](#) [626-0194](#) [62-NBM-A](#) [62-SN](#) [62-SP](#) [63-S](#) [640179-1](#) [M55155/059I03](#) [M55155/079C01](#) [M55155/099H02](#) [M55155/109H01](#) [M55155/109H02](#) [M55155/12XH05](#) [M55155/16XH02](#) [M55155/29-5S](#)