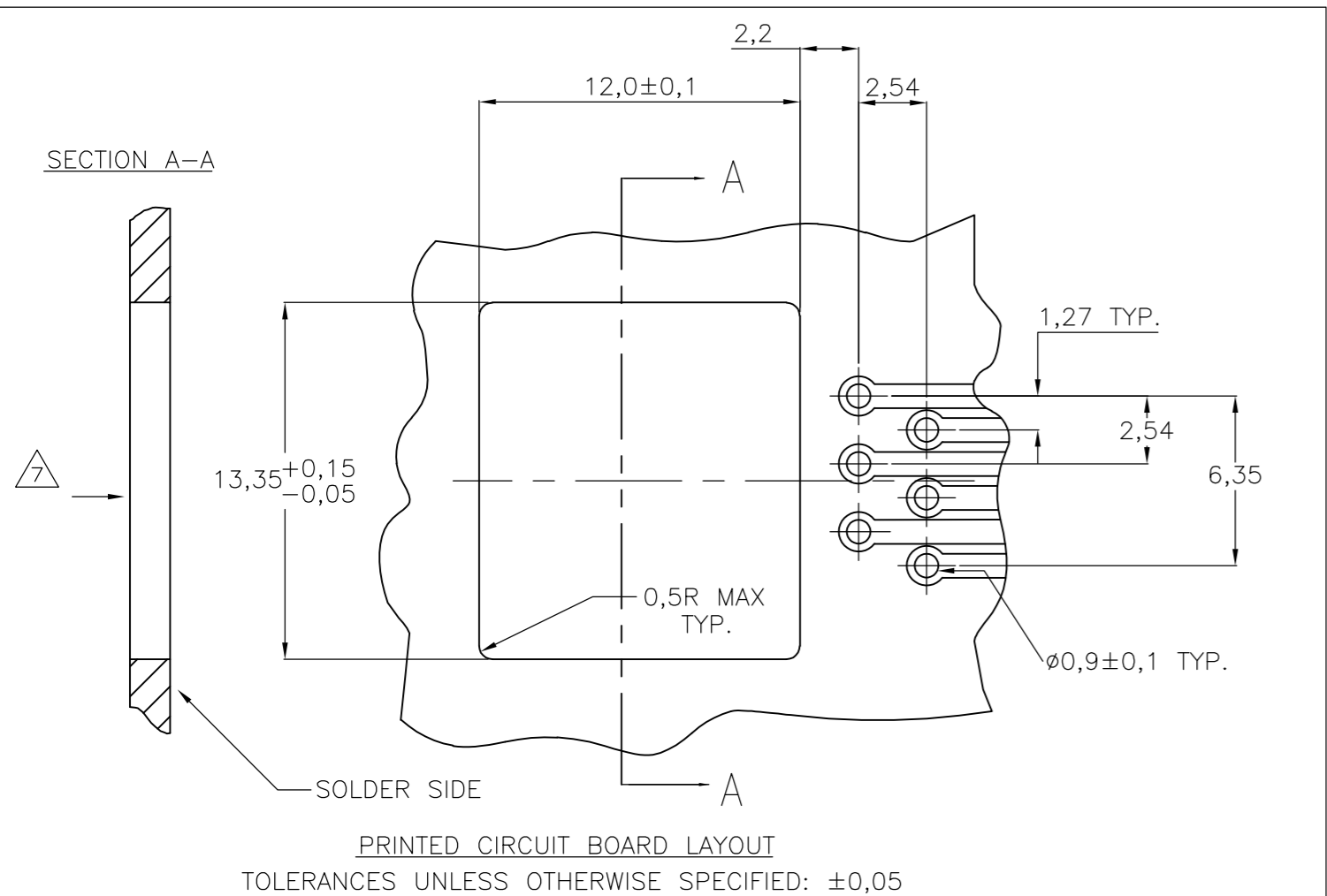
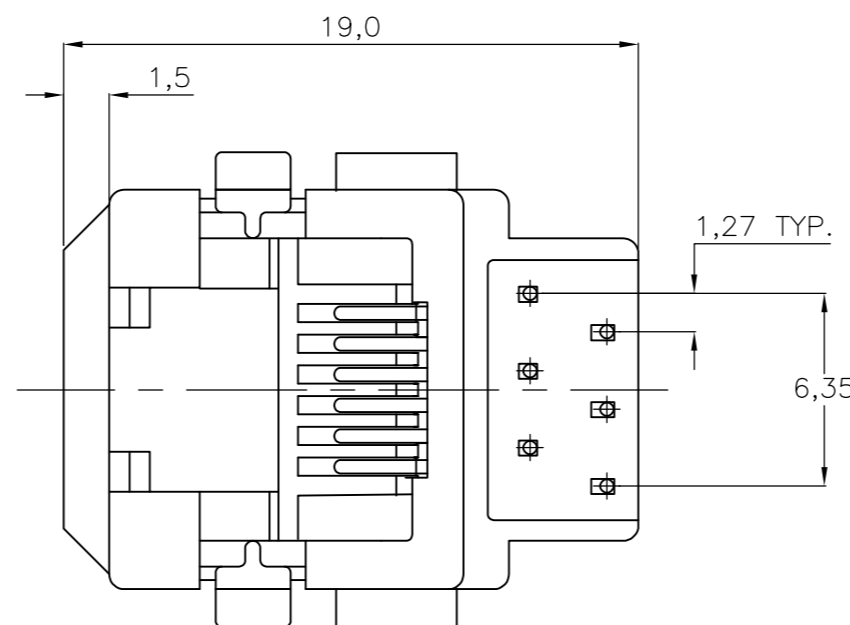
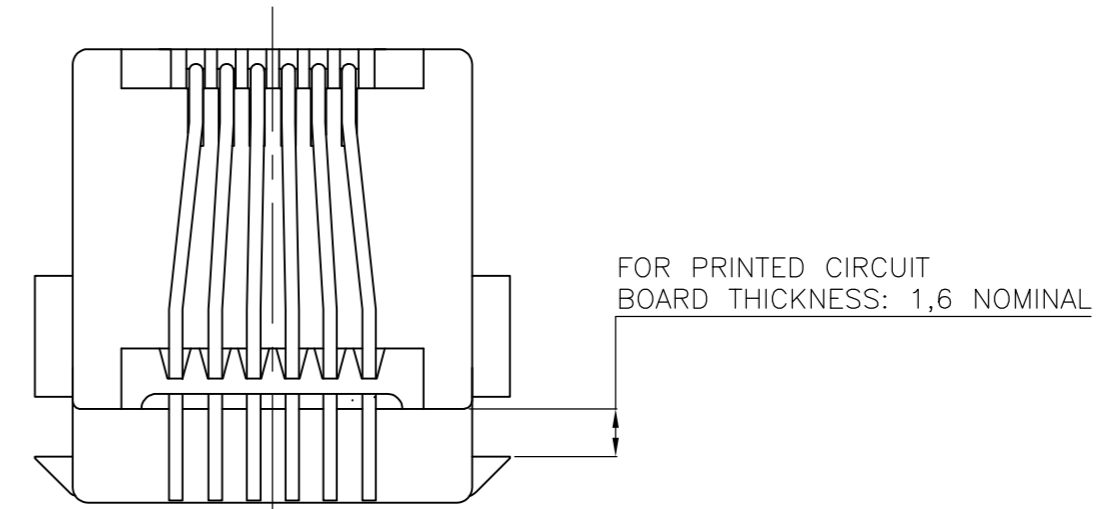
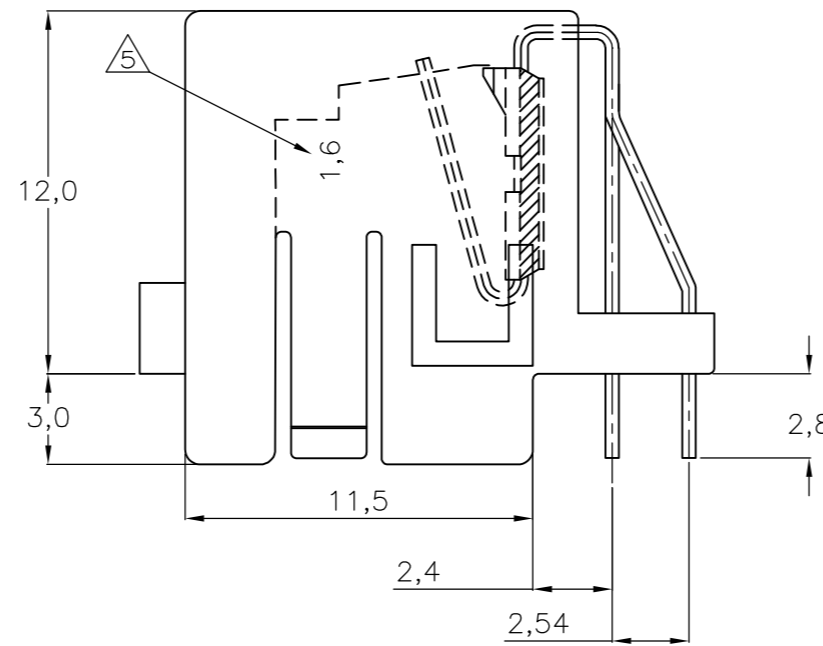
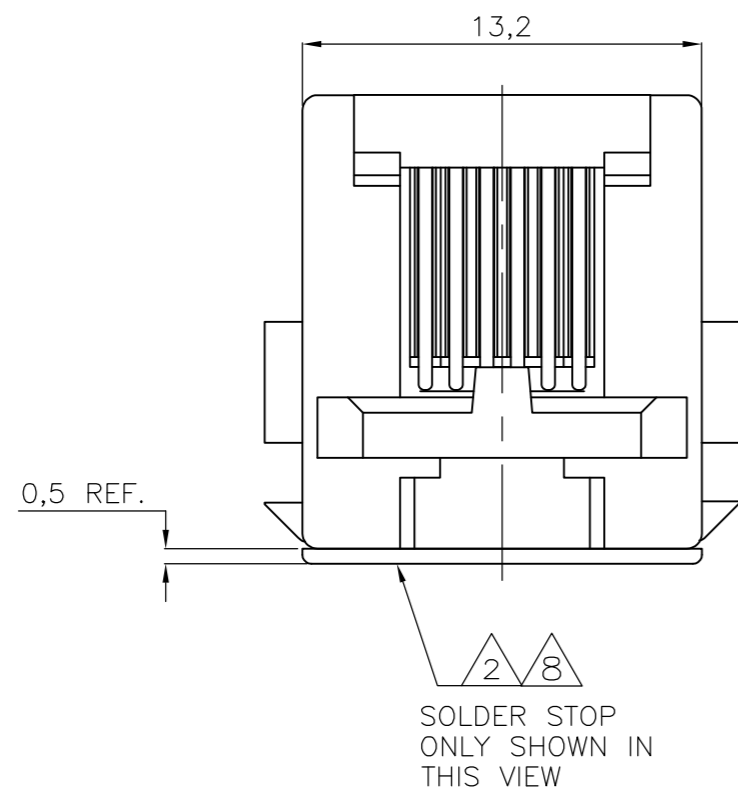
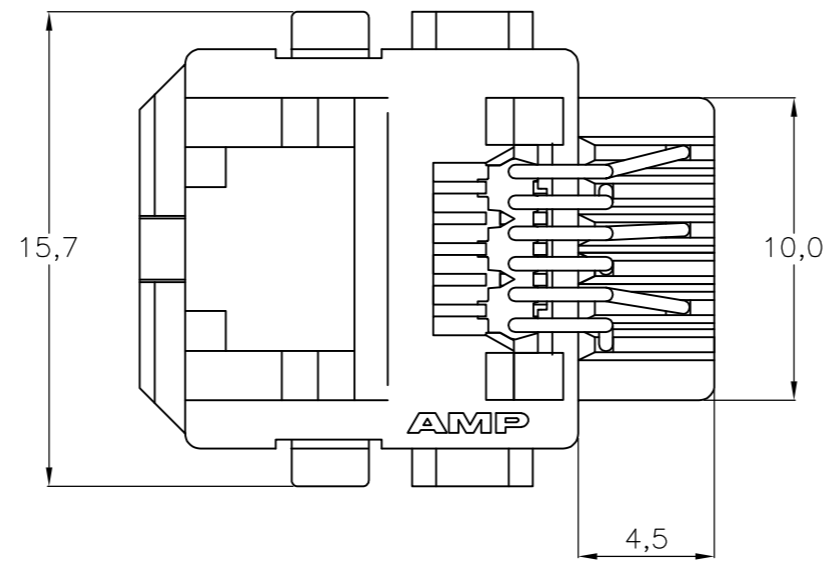


THIS DRAWING IS UNPUBLISHED. RELEASED FOR PUBLICATION
 © COPYRIGHT - By - ALL RIGHTS RESERVED.

LOC	DIST	REVISIONS					
		P	LTR	DESCRIPTION	DATE	DWN	APVD
H	-	R		EH-1477-98	14-09-98	EVE	-
		R1		ECR-08-012368	06-11-08	AEG	WRV
		R2		ECR-10-022530	07JAN11	KK	HMR

NOTES:

1. TOLERANCES UNLESS OTHERWISE SPECIFIED: $\pm 0,15$.
2. MODULAR JACK P.N. 216446-1, 216446-2, 3-216446-1 AND 3-216446-2 ARE DELIVERED WITH PLASTIC SOLDER STOP INSTALLED, TO PREVENT SOLDER ENTERING THE JACK. REMOVE SOLDER STOP AFTER SOLDERING.
3. FOR PERFORMANCE REQUIREMENTS SEE TE PRODUCT SPECIFICATION 108-19064.
4. FOR APPLICATION REQUIREMENTS SEE TE APPLICATION SPECIFICATION 114-19019.
5. MOLDED-IN CHARACTER "1,6" MEANS FOR 1,6mm PRINT THICKNESS.
6. FOR PACKAGING SEE SHEET 2.
7. PREFERRED DIRECTION FOR STAMPING OF HOLE TO OBTAIN A BROKEN EDGE AT JACK ENTRY SIDE.
8. TRUE POSITIONING OF THE SOLDER TINES MAY BE AFFECTED BY BULK PACKAGING. THE SOLDER STOP COULD BE LOOSENED DURING TRANSPORT.



	DESCRIPTION	FINISH	MATERIAL	PARTNUMBER
⚠	BULK PACKAGED 500 pcs/BOX	6 POS./4 CONTACTS WITH SOLDER STOP	CONTACTS: 1,25µm MIN. GOLD OVER HOUSING: 20% G.F. NYLON	3-216446-2
⚠	BULK PACKAGED 1000 pcs/BOX	6 POS./6 CONTACTS WITH SOLDER STOP	CONTACTS: 1,25µm MIN. NICKEL IN CONTACT AREA HOUSING: COLOR: BLACK UL 94-HB	3-216446-1
OBSOLETE ⚠	700 pcs ON A .60 cm DIA REEL	6 POS./4 CONTACTS WITH SOLDER STOP	CONTACTS: 2µm MIN. TIN LEAD OVER 1,25µm MIN. HOUSING: PHOS. BRONZE	-216446-2-
⚠	700 pcs ON A Ø60 cm DIA. REEL	6 POS./6 CONTACTS WITH SOLDER STOP	NICKEL ON SOLDER TINES.	216446-1

THIS DRAWING IS A CONTROLLED DOCUMENT.

DIMENSIONS: mm	TOLERANCES UNLESS OTHERWISE SPECIFIED:	DWN M.V.ESSEN	29NOV95
0 PLC ± -	1 PLC ± -	CHK W.BRUMMANS	
2 PLC ± -	3 PLC ± -	APVD C.V.TILBURG	
4 PLC ± -	ANGLES ± -	PRODUCT SPEC	
MATERIAL -	FINISH -	APPLICATION SPEC	
		WEIGHT -	
		CUSTOMER DRAWING	

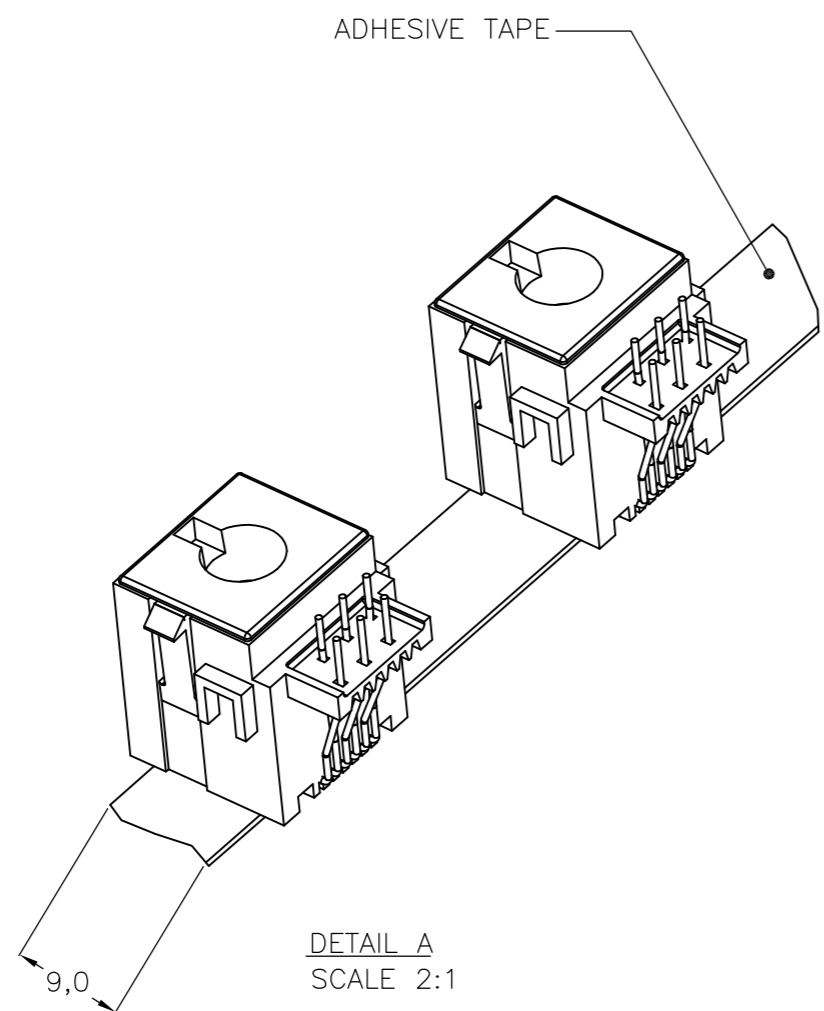
TE TE Connectivity

MODULAR JACK, 6 POS
 BOTTOM ENTRY VERSION
 FOR PRINTED CIRCUIT BOARD MOUNTING

SIZE A2	CAGE CODE 00779	DRAWING NO. C=216446	RESTRICTED TO -
SCALE NTS	SHEET 1 of 2	REV R2	

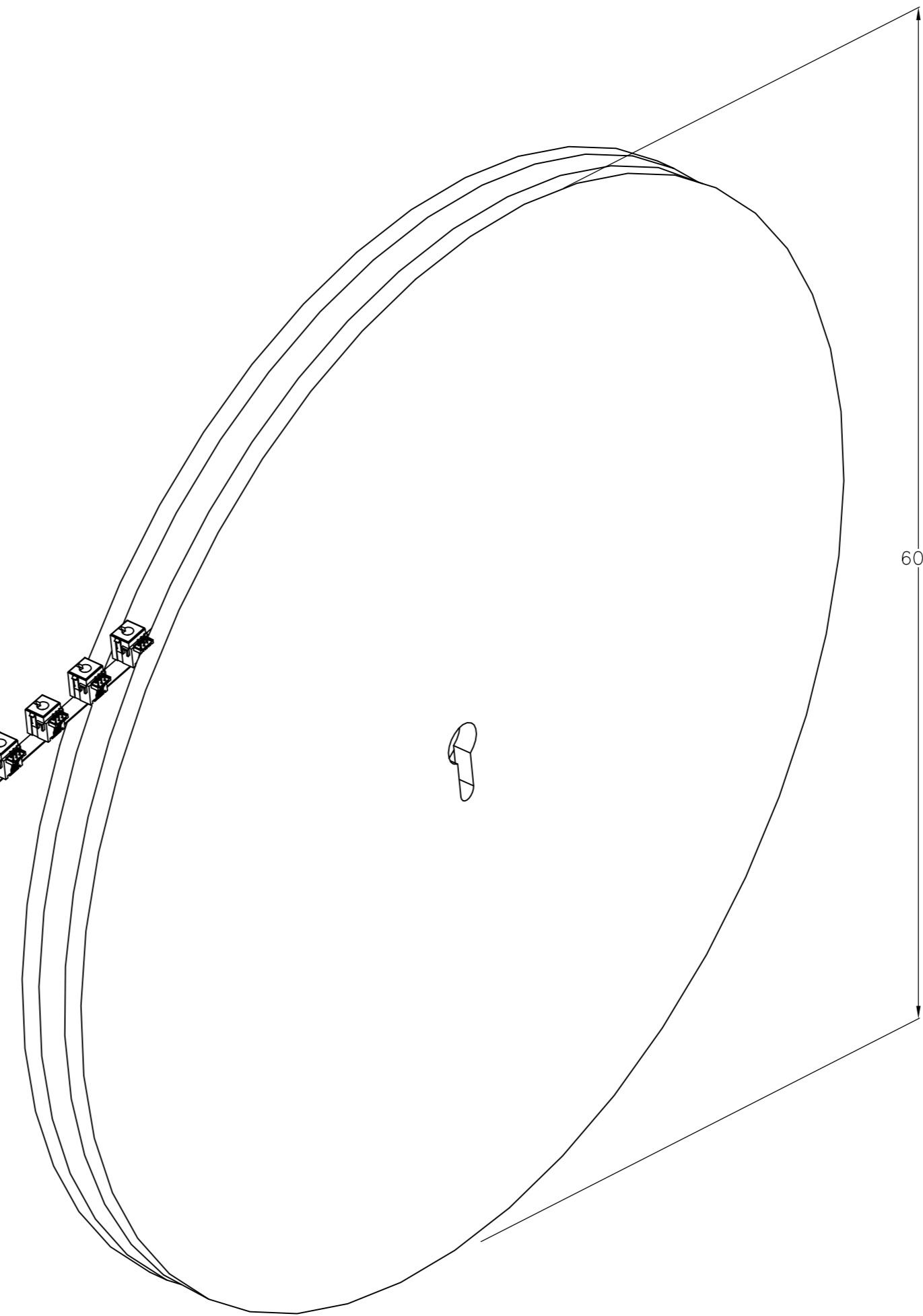
THIS DRAWING IS UNPUBLISHED. RELEASED FOR PUBLICATION
 © COPYRIGHT - By - ALL RIGHTS RESERVED.

LOC	DIST	REVISIONS					
H	-	P	LTR	DESCRIPTION	DATE	DWN	APVD
		-	-	SEE SHEET 1	-	-	-



SEE DETAIL A

REEL-OFF DIRECTION



THIS DRAWING IS A CONTROLLED DOCUMENT.		DWN	19DEC96			
DIMENSIONS: mm		CHK	F.V.EIJK			MODULAR JACK, 6 POS., BOTTOM ENTRY VERSION PACKAGING
TOLERANCES UNLESS OTHERWISE SPECIFIED:		APVD	W.BRUMMANS			
0 PLC ± - 1 PLC ± - 2 PLC ± - 3 PLC ± - 4 PLC ± - ANGLES ± -		PRODUCT SPEC	R.SMEETS			
MATERIAL		APPLICATION SPEC	-		RESTRICTED TO	
FINISH		WEIGHT	-		SIZE	
-		CUSTOMER DRAWING		SCALE	CAGE CODE	
				NTS	00779	
				SHEET	DRAWING NO	
				2 OF 2	C=216446	
				REV	R2	

X-ON Electronics

Largest Supplier of Electrical and Electronic Components

Click to view similar products for [Modular Connectors / Ethernet Connectors](#) category:

Click to view products by [TE Connectivity](#) manufacturer:

Other Similar products are found below :

[8949-H88/06BLKA/SN](#) [74441-0010/BKN](#) [MP1010RX-1000](#) [MP44RX-1000](#) [PHJ-4P4C-1-V-4](#) [PHP-6P6C-5](#) [GAX-3-66](#) [GAX-8-62](#) [GDCX-PA-66-50](#) [GDCX-PN-64](#) [GDCX-PN-66](#) [GDCX-PN-66-50](#) [GDLX-A-66](#) [GDLX-N-66](#) [GDLX-S-66](#) [GDLX-S-88K](#) [GDLX-SMT-S-88](#) [GDTX-S-88-50](#) [GDX-PA-1010](#) [GLX-N-1010M-BLK](#) [GLX-S-88M-BLK](#) [GMX-N-1010](#) [GMX-S-1010](#) [GMX-S-66](#) [GMX-SMT4-N-88](#) [GPX-2-64](#) [GSGX-N-2-88](#) [GSGX-N-4-88](#) [GSX-NS2-88-3.05](#) [GSX-NS2-88-3.05-50](#) [GSX-NS-88-3.05-50](#) [PT-108A-8C-UL](#) [PT-J951-8C](#) [PTS-J531-8CS-50UL](#) [1-1775629-2](#) [A-2014-0-4](#) [GWLX-S-88-GR](#) [GWLX-S9-88-YG](#) [DC-1021-8-WH-6](#) [1300530003](#) [1324640-4](#) [RJ11FTVC2G](#) [RJ11FTVC2N](#) [RJFTVX2SA1G](#) [132764-001](#) [1413235](#) [MP88X-1000](#) [MPS88RX-5000](#) [E5288-S000K3-L](#) [E5908-15A242-L](#)