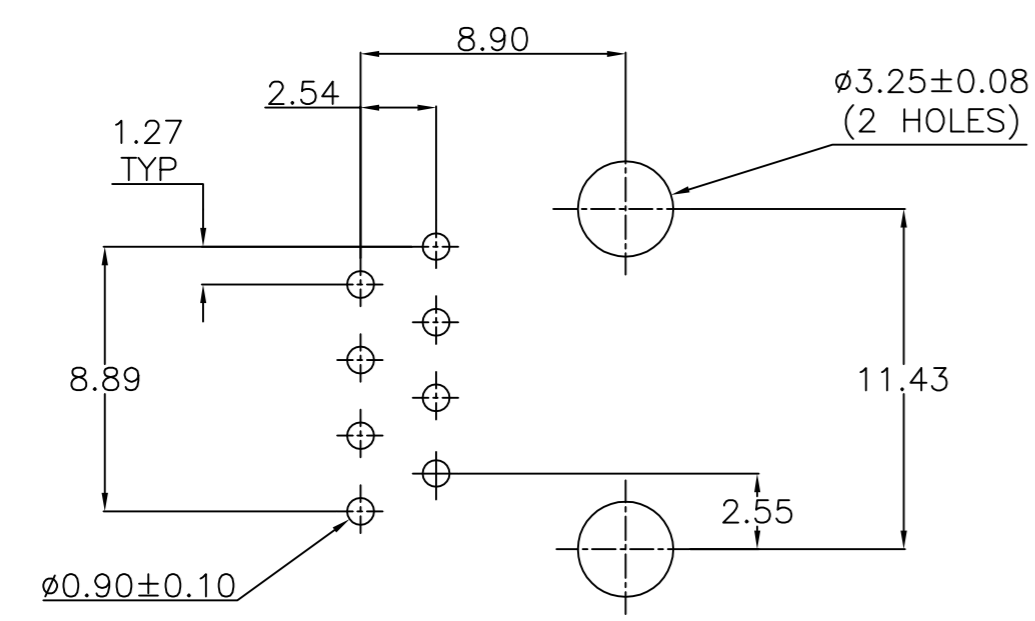
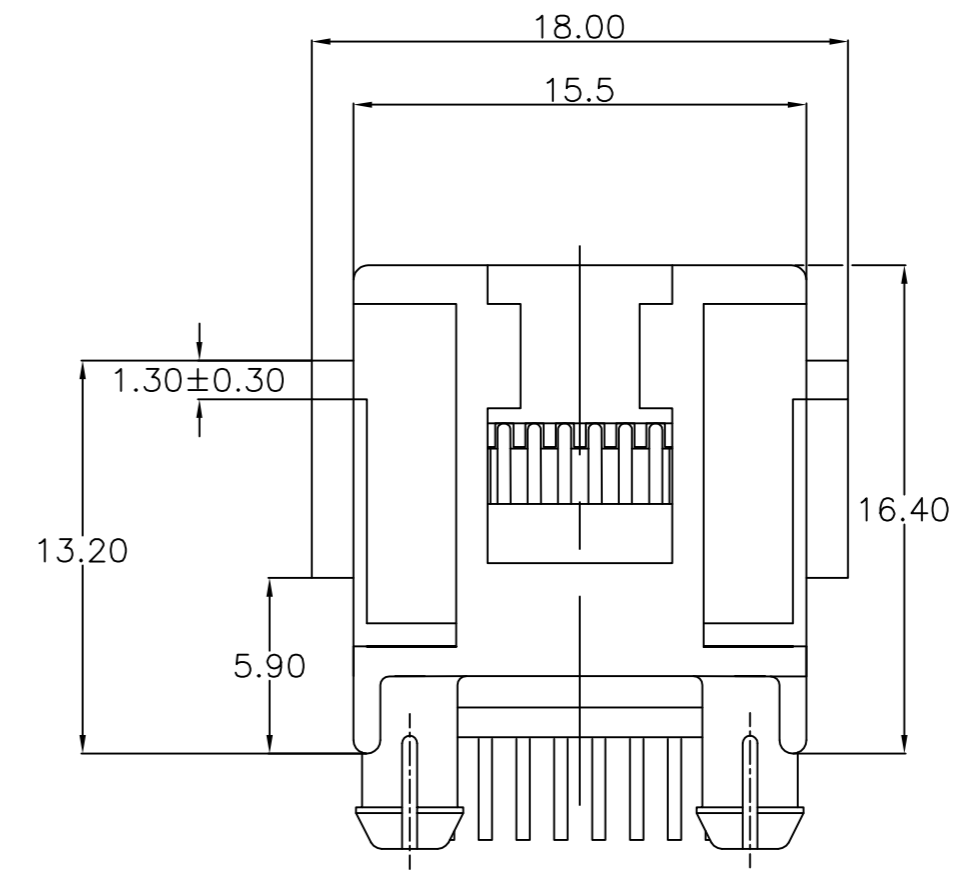
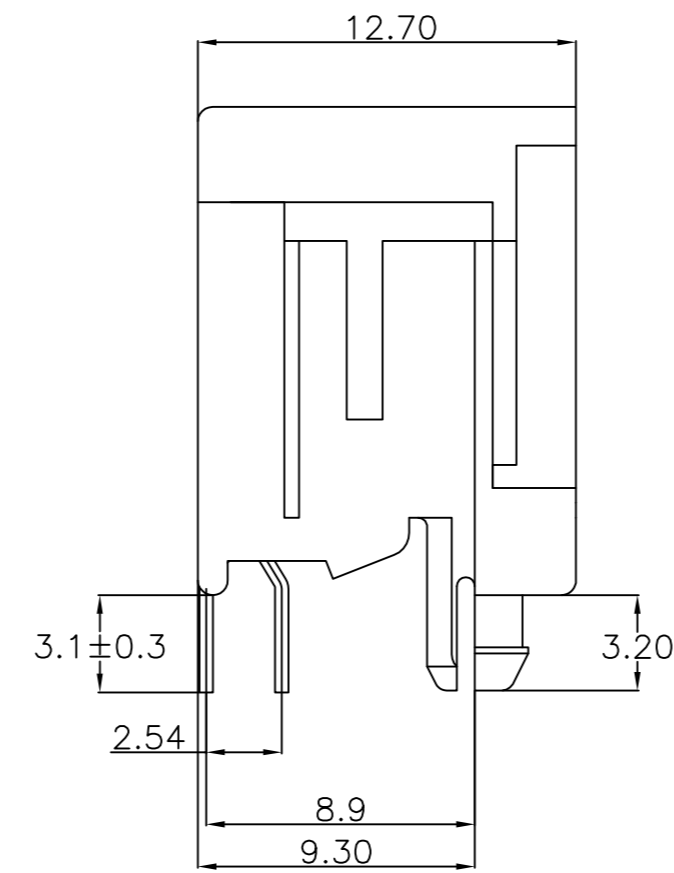
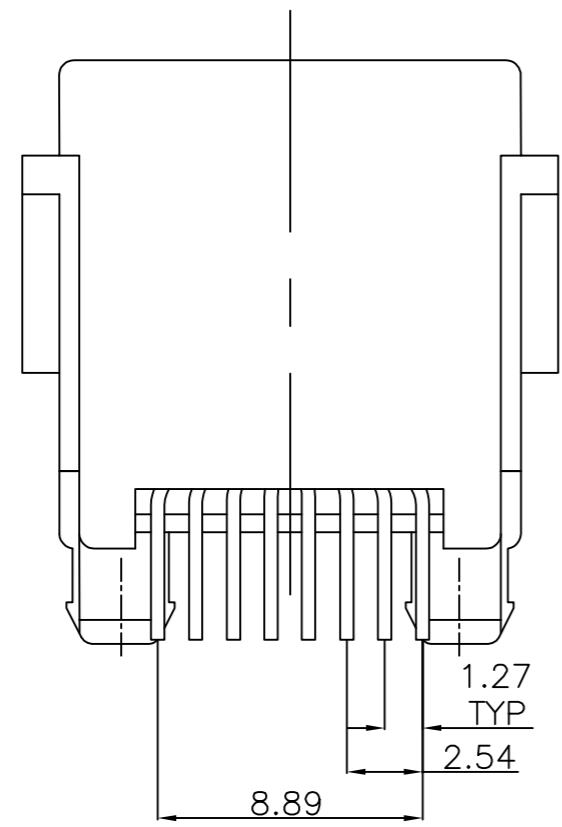
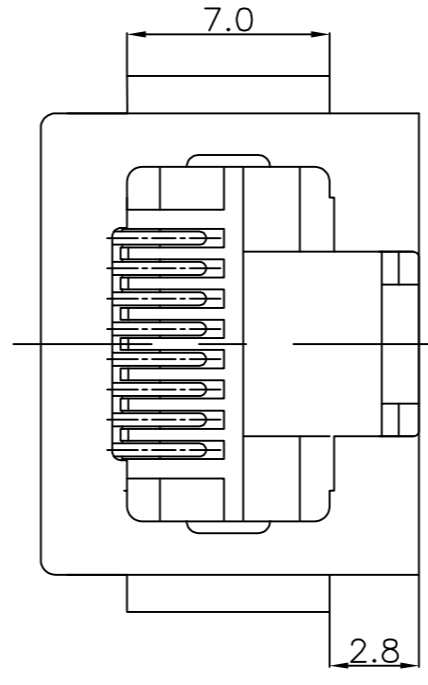


THIS DRAWING IS UNPUBLISHED. RELEASED FOR PUBLICATION
 © COPYRIGHT - By - ALL RIGHTS RESERVED.

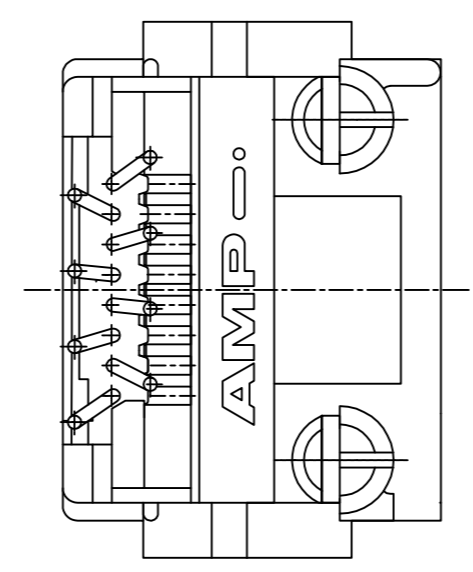
LOC		DIST		REVISIONS			
P	LTR	DESCRIPTION	DATE	DWN	APVD		
H	-						
	M2	ECO-14-008965	02Dec13	CW	SH		

- NOTES:
1. TOLERANCES UNLESS OTHERWISE SPECIFIED: ± 0.15
 2. FOR APPLICATION INFORMATION SEE AMP SPEC. 114-19019.
 3. FOR PERFORMANCE REQUIREMENTS SEE AMP SPEC. 108-19064



PRINTED CIRCUIT BOARD LAYOUT

[VIEW SHOWN IS CIRCUIT (NONCOMPONENT) SIDE OF BOARD.]
 TOLERANCES UNLESS OTHERWISE SPECIFIED: ± 0.05
 PRINTED CIRCUIT BOARD THICKNESS: 1.6 mm NOMINAL.



PACKAGING	REMARKS	FINISH	MATERIAL	PART NUMBER
800 PCS. ON A 60cm. DIA. REEL	8 POSITIONS/ 8 CONTACTS.	IN CONTACT AREA: 1.2 μ m MIN. SEL. GOLD OVER 1.2 μ m MIN. NICKEL SOLDER TINES: 2.0 μ m MIN. TIN OVER 1.2 μ m MIN. NICKEL	HOUSING: PBT,UL 94V-0 COLOR: BLACK CONTACTS: PHOSPHOR BRONZE	216550-2
			HOUSING: PBT,UL 94V-HB COLOR: BLACK CONTACTS: PHOSPHOR BRONZE	216550-1

THIS DRAWING IS A CONTROLLED DOCUMENT.		DWN J.V.LIEMPT CHK C.STERKEN APVD L.V.SOEST	22JAN92	TE Connectivity	
DIMENSIONS: mm		PRODUCT SPEC			
TOLERANCES UNLESS OTHERWISE SPECIFIED:		APPLICATION SPEC		MODULAR JACK, 8 POS. TOP ENTRY, SMALL SIZE WITH PANEL STOPS, FOR PRINTED CIRCUIT BOARDS	
MATERIAL SEE TABLE		FINISH SEE TABLE		SIZE A2	CAGE CODE 00779
		WEIGHT -		DRAWING NO C-216550	RESTRICTED TO -
		CUSTOMER DRAWING		SCALE -	SHEET 1 of 2
				REV M3	

4

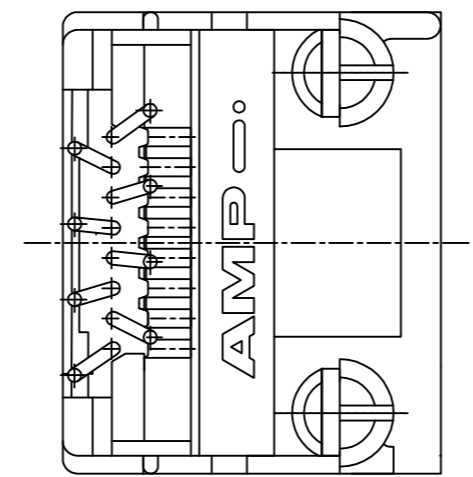
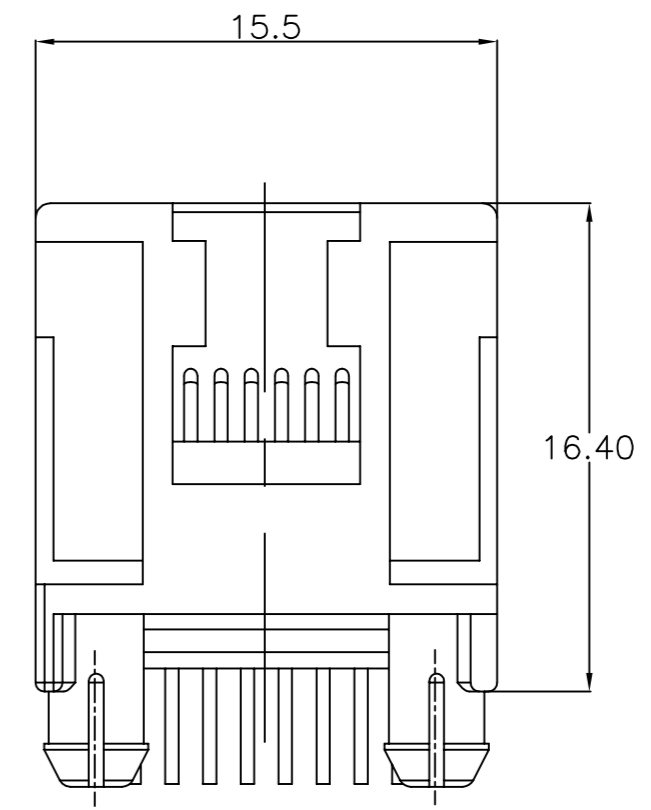
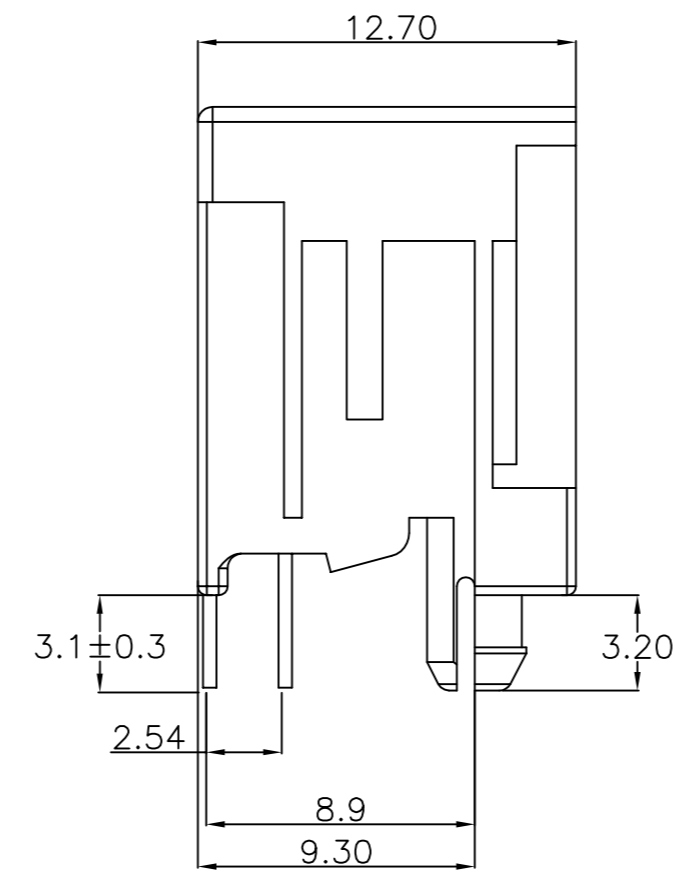
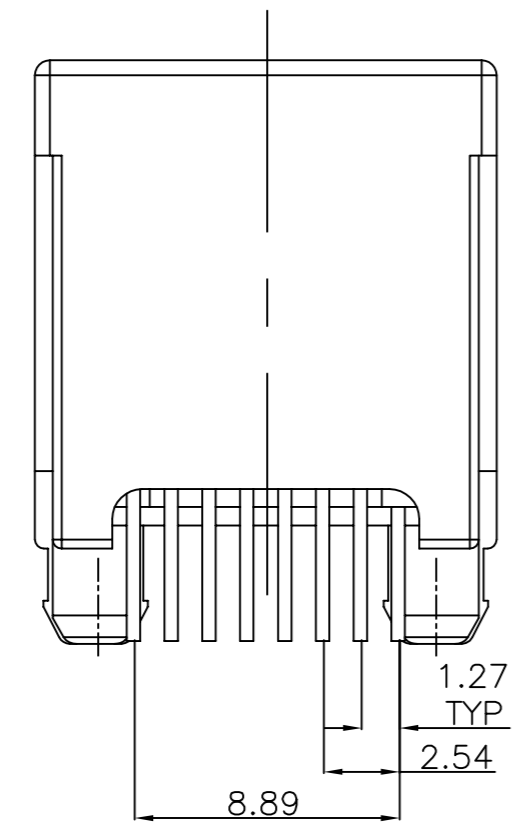
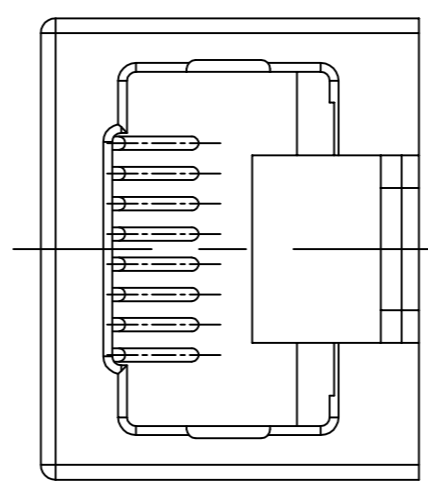
3

2

1

THIS DRAWING IS UNPUBLISHED. RELEASED FOR PUBLICATION
 © COPYRIGHT - By - ALL RIGHTS RESERVED.

LOC	DIST	REVISIONS			
P	LTR	DESCRIPTION	DATE	DWN	APVD
H	-	SEE SHEET 1/2			



THE SAME AS 216550-1, BUT NO PANEL STOP	HOUSING: PBT,UL 94V-HB GREY-RAL 7035	216550-6		
	CONTACTS: PHOSPHOR BRONZE			
	HOUSING: PBT,UL 94V-HB YELLOW Pantone 115U	216550-5		
	CONTACTS: PHOSPHOR BRONZE			
	HOUSING: PBT,UL 94V-HB COLOR: BLACK	216550-4		
	CONTACTS: PHOSPHOR BRONZE			
PACKAGING	REMARKS	FINISH	MATERIAL	PART NUMBER

THIS DRAWING IS A CONTROLLED DOCUMENT.		DWN J.V.LIEMPT 22JAN92	TE Connectivity	
DIMENSIONS: mm		CHK C.STERKEN	NAME	
TOLERANCES UNLESS OTHERWISE SPECIFIED:		APVD L.V.SOEST	MODULAR JACK, 8 POS. TOP ENTRY, SMALL SIZE WITH PANEL STOPS, FOR PRINTED CIRCUIT BOARDS	
0 PLC ± -	1 PLC ± -	PRODUCT SPEC	SIZE A2	CAGE CODE 00779
2 PLC ± -	3 PLC ± -	APPLICATION SPEC	DRAWING NO C=216550	RESTRICTED TO -
4 PLC ± -	ANGLES ± -	WEIGHT -	SCALE -	SHEET 2 of 2
MATERIAL SEE TABLE	FINISH SEE TABLE	CUSTOMER DRAWING	REV M3	

X-ON Electronics

Largest Supplier of Electrical and Electronic Components

Click to view similar products for [Modular Connectors / Ethernet Connectors](#) category:

Click to view products by [TE Connectivity](#) manufacturer:

Other Similar products are found below :

[8949-H88/06BLKA/SN](#) [74441-0010/BKN](#) [MP1010RX-1000](#) [MP44RX-1000](#) [PHJ-4P4C-1-V-4](#) [PHP-6P6C-5](#) [GAX-3-66](#) [GAX-8-62](#) [GDCX-PA-66-50](#) [GDCX-PN-64](#) [GDCX-PN-66](#) [GDCX-PN-66-50](#) [GDLX-A-66](#) [GDLX-N-66](#) [GDLX-S-66](#) [GDLX-S-88K](#) [GDTX-S-88-50](#) [GDX-PA-1010](#) [GLX-N-1010M-BLK](#) [GLX-S-88M-BLK](#) [GMX-N-1010](#) [GMX-S-1010](#) [GMX-S-66](#) [GMX-SMT4-N-88](#) [GPX-2-64](#) [GSGX-N-2-88](#) [GSGX-N-4-88](#) [GSX-NS2-88-3.05](#) [GSX-NS2-88-3.05-50](#) [GSX-NS-88-3.05-50](#) [PT-108A-8C-UL](#) [PT-J951-8C](#) [PTS-J531-8CS-50UL](#) [1-1775629-2](#) [A-2014-0-4](#) [GWLX-S-88-GR](#) [GWLX-S9-88-YG](#) [DC-1021-8-WH-6](#) [1300530003](#) [1324640-4](#) [RJ11FTVC2G](#) [RJ11FTVC2N](#) [RJFTVX2SA1G](#) [132764-001](#) [1413235](#) [MP88X-1000](#) [MPS88RX-5000](#) [E5288-S000K3-L](#) [E5908-15A242-L](#) [155302-001](#)