

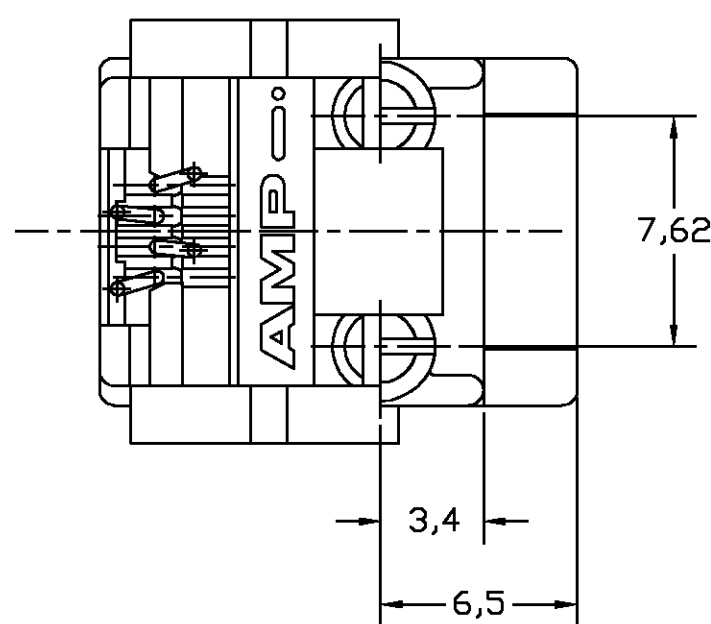
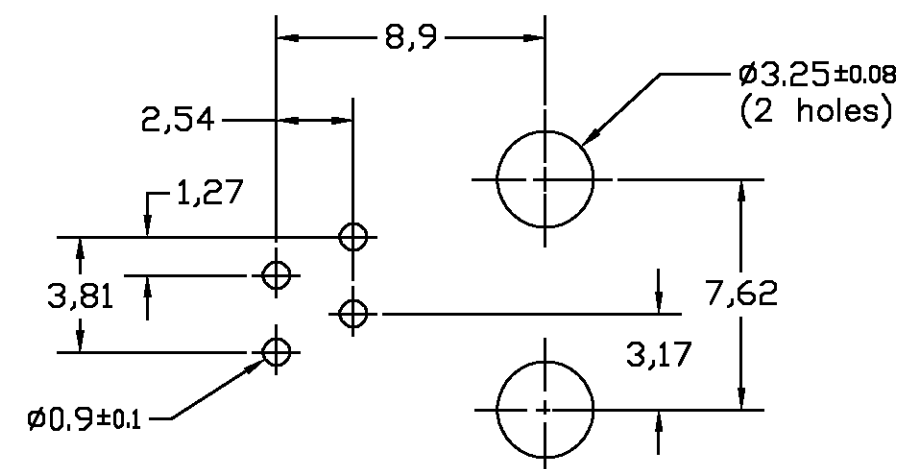
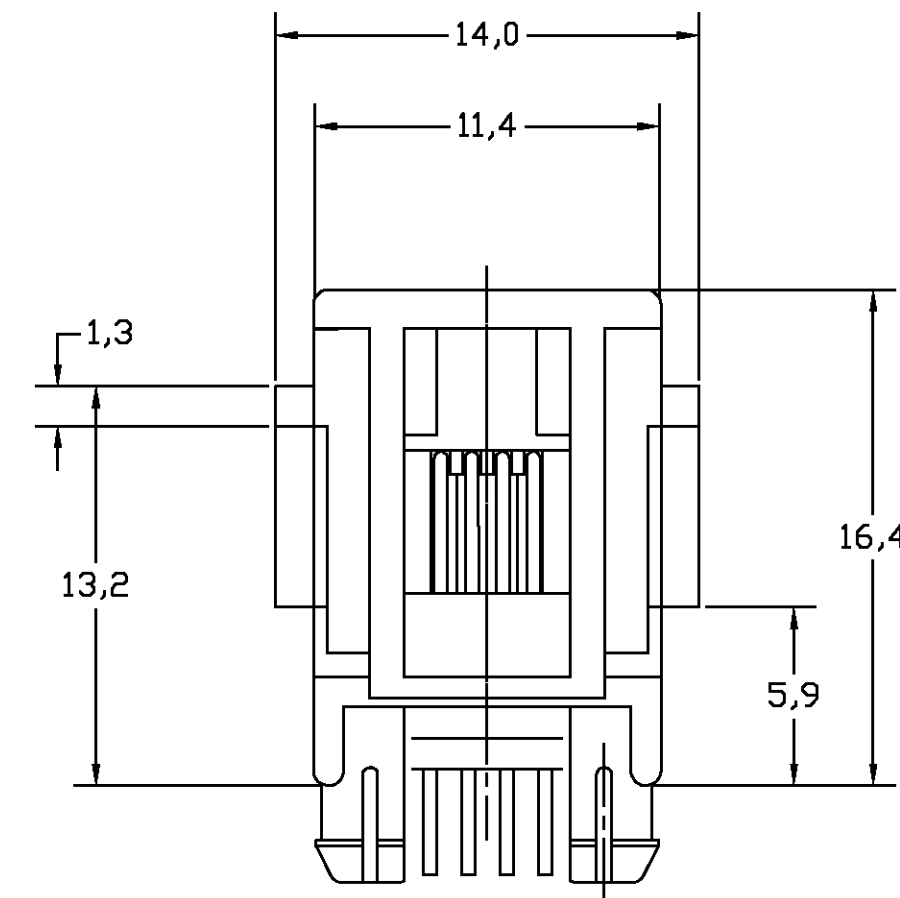
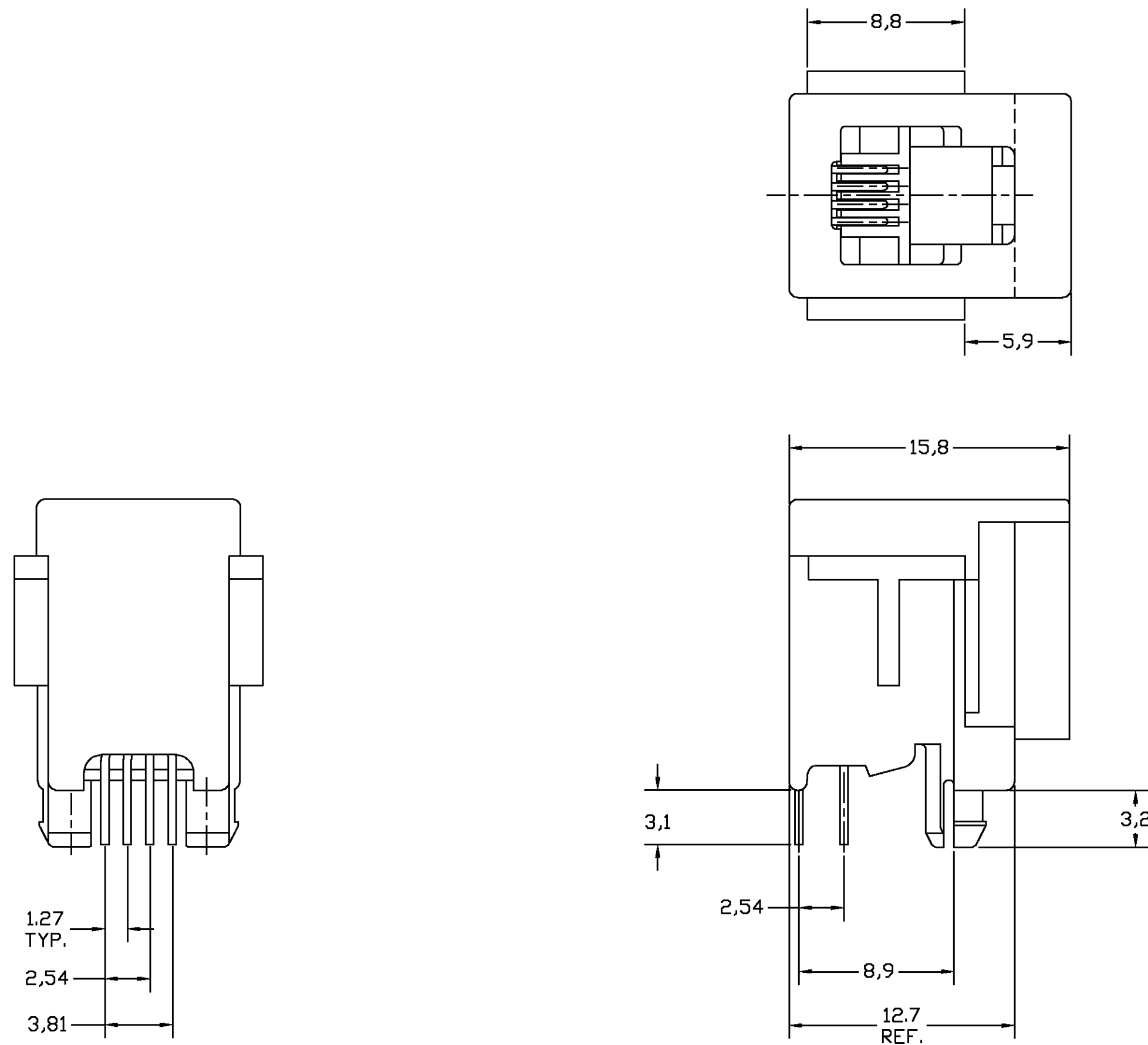
DO NOT SCALE
DIMENSIONS IN mm

METRIC

THIRD ANGLE
PROJECTION

NOTES:

- 1 TOLERANCES UNLESS OTHERWISE SPECIFIED: $\pm 0,15$
- 2 FOR APPLICATION INFORMATION SEE AMP SPEC. 114-19019.
- 3 FOR PERFORMANCE REQUIREMENTS SEE AMP SPEC. 108-19064



PRINTED CIRCUIT BOARD LAYOUT

VIEW SHOWN IS CIRCUIT (NONCOMPONENT) SIDE OF BOARD.
TOLERANCES UNLESS OTHERWISE SPECIFIED: $\pm 0,05$.
PRINTED CIRCUIT BOARD THICKNESS: 1,6 mm NOMINAL.

BULK PACKAGED 1000pcs IN A BOX	4 POSITIONS/ 4 CONTACTS.	IN CONTACT AREA: 1,2 μ m MIN. SEL. GOLD OVER 1,2 μ m MIN. NICKEL		HOUSING: PTB,UL 94-HB COLOR: BLACK	216562-3
TAPE MOUNTED 700pcs ON A 60cm DIA. REEL		SOLDER TINES: 2,0 μ m MIN. TIN-LEAD OVER 1,2 μ m MIN. NICKEL		CONTACTS: PHOSPHOR BRONZE	216562-1
PACKAGING	REMARKS	FINISH		MATERIAL	PARTNUMBER
CUSTOMER DRAWING					FOR REFERENCE ONLY WILL NOT BE UPDATED
© COPYRIGHT 19 BY AMP HOLLAND B.V. ALL INTERNATIONAL RIGHTS RESERVED. AMP PRODUCTS MAY BE COVERED BY U.S. AND FOREIGN AND/OR PATENTS PENDING. THIS DRAWING IS UNPUBLISHED RELEASED FOR PUBLICATION					19
J	SR10-0438-02	KV	KV	08 OCT 02	
H1	OU60-0073-00	KV	KV	10 AUG 00	
H	EH00-1376-99	MVE	MVE	22 JUL 99	
G	EH00-0939-99	JG	ME	APR 99	
F	EH00-0244-98	MVE	GC	15 FEB 98	
LTR.	REVISION RECORD	DR.	CHK.	DATE	
DR.: Lv.d.HEJNDEN	CHK.: C.STERKEN	APP.: Lv.SOEST	DWG.No.		REV.LTR.
DATE: 1 SEP 89	DATE:	DATE:	C-216562		J
				SHEET	A2
				1 OF 1	

X-ON Electronics

Largest Supplier of Electrical and Electronic Components

Click to view similar products for [Modular Connectors / Ethernet Connectors](#) category:

Click to view products by [TE Connectivity](#) manufacturer:

Other Similar products are found below :

[8949-H88/06BLKA/SN](#) [74441-0010/BKN](#) [MP1010RX-1000](#) [MP44RX-1000](#) [PHJ-4P4C-1-V-4](#) [PHP-6P6C-5](#) [GAX-3-66](#) [GAX-8-62](#) [GDCX-PA-66-50](#) [GDCX-PN-64](#) [GDCX-PN-66](#) [GDCX-PN-66-50](#) [GDLX-A-66](#) [GDLX-N-66](#) [GDLX-S-66](#) [GDLX-S-88K](#) [GDTX-S-88-50](#) [GDX-PA-1010](#) [GLX-N-1010M-BLK](#) [GLX-S-88M-BLK](#) [GMX-N-1010](#) [GMX-S-1010](#) [GMX-S-66](#) [GMX-SMT4-N-88](#) [GPX-2-64](#) [GSGX-N-2-88](#) [GSGX-N-4-88](#) [GSX-NS2-88-3.05](#) [GSX-NS2-88-3.05-50](#) [GSX-NS-88-3.05-50](#) [PT-108A-8C-UL](#) [PT-J951-8C](#) [PTS-J531-8CS-50UL](#) [1-1775629-2](#) [A-2014-0-4](#) [GWLX-S-88-GR](#) [GWLX-S9-88-YG](#) [DC-1021-8-WH-6](#) [1300530003](#) [1324640-4](#) [RJ11FTVC2G](#) [RJ11FTVC2N](#) [RJFTVX2SA1G](#) [132764-001](#) [1413235](#) [MP88X-1000](#) [MPS88RX-5000](#) [E5288-S000K3-L](#) [E5908-15A242-L](#) [155302-001](#)